

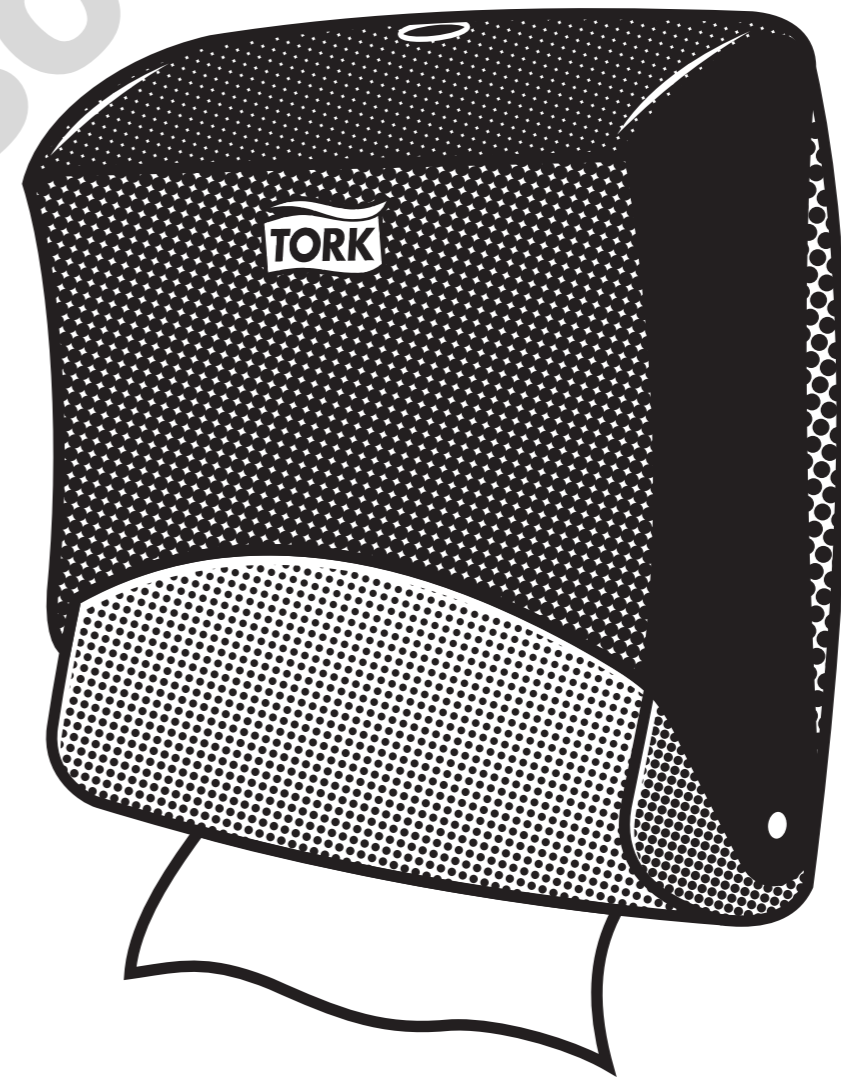
European Community Design Registration RCD 001149447

2012-12-04

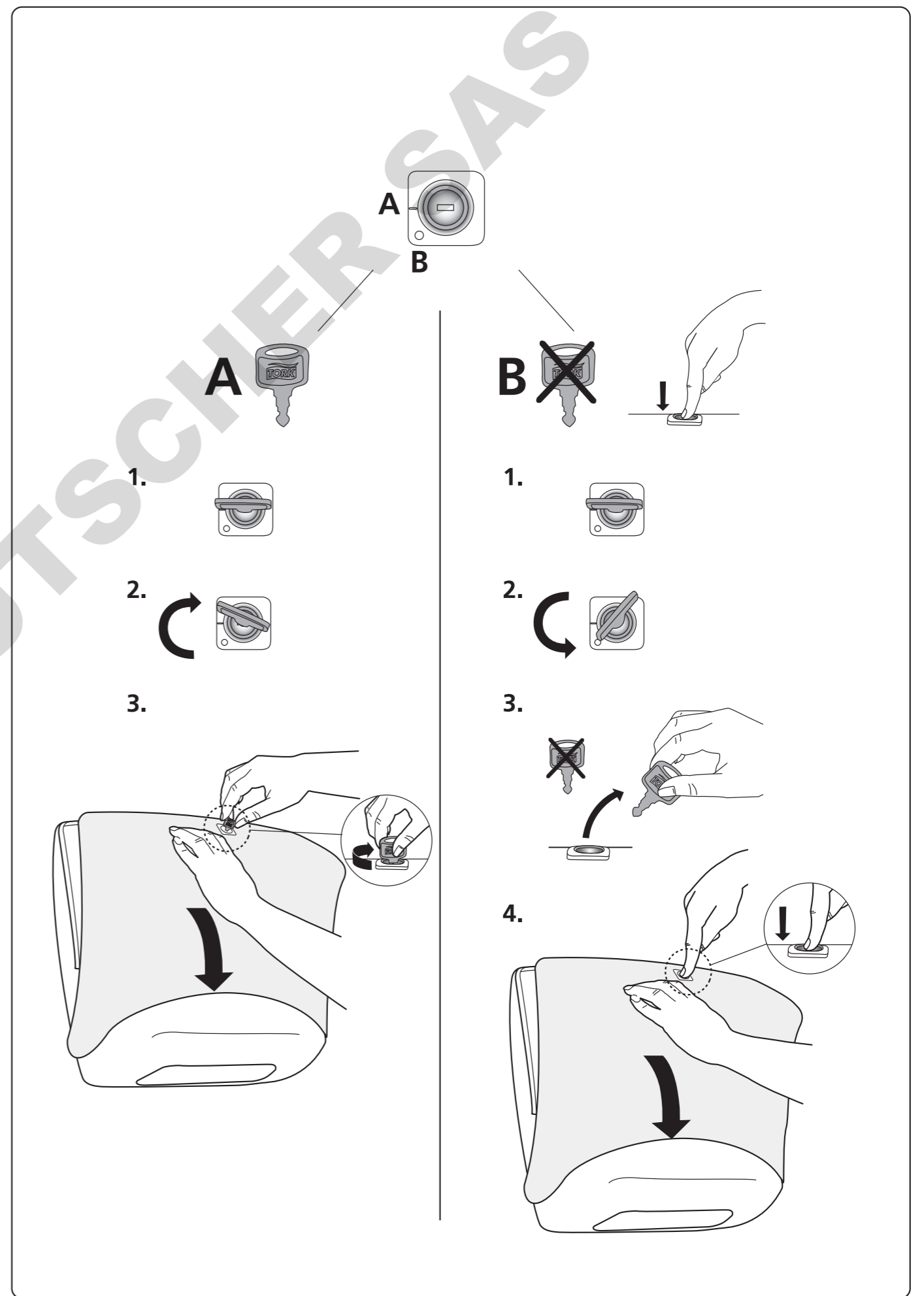
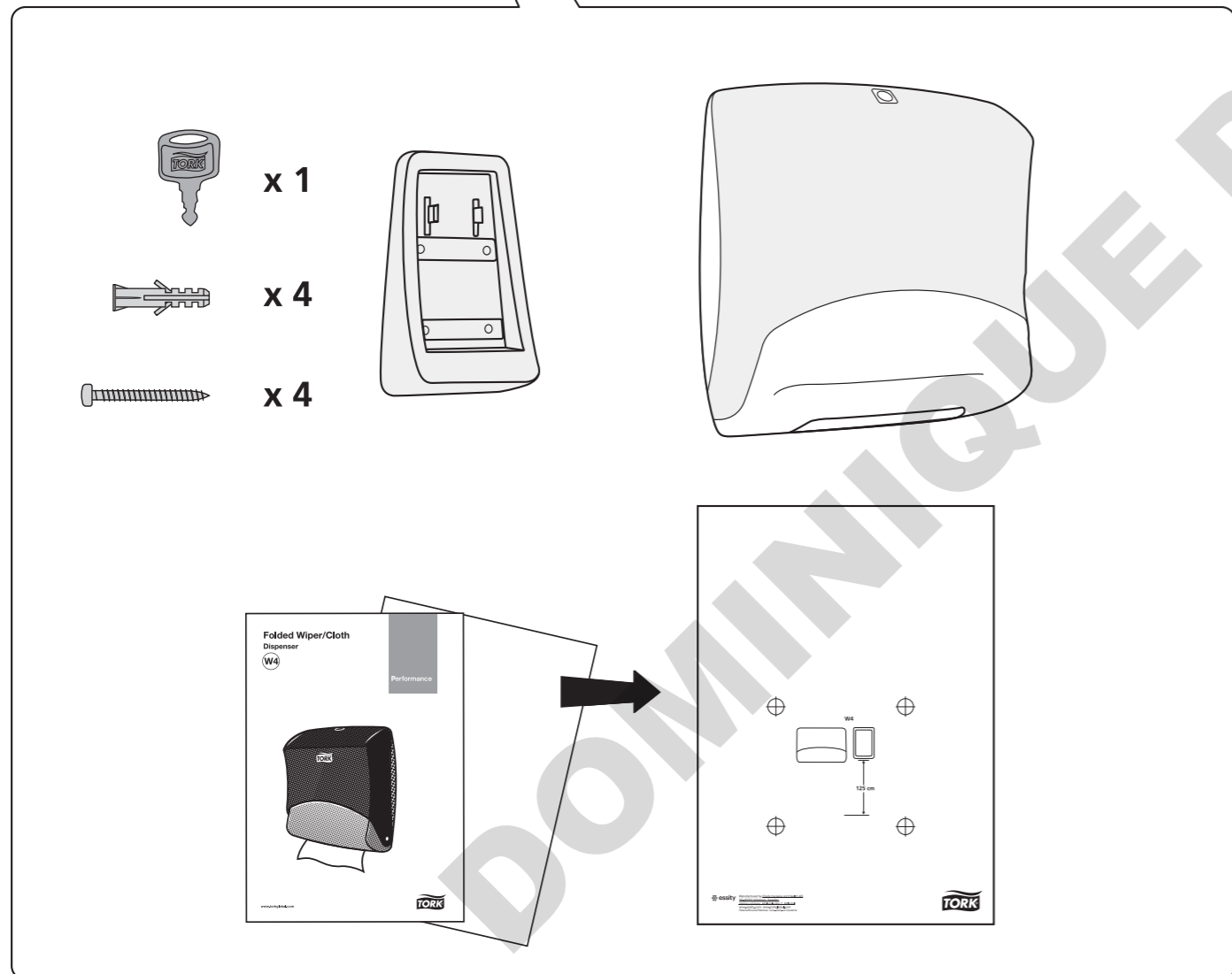
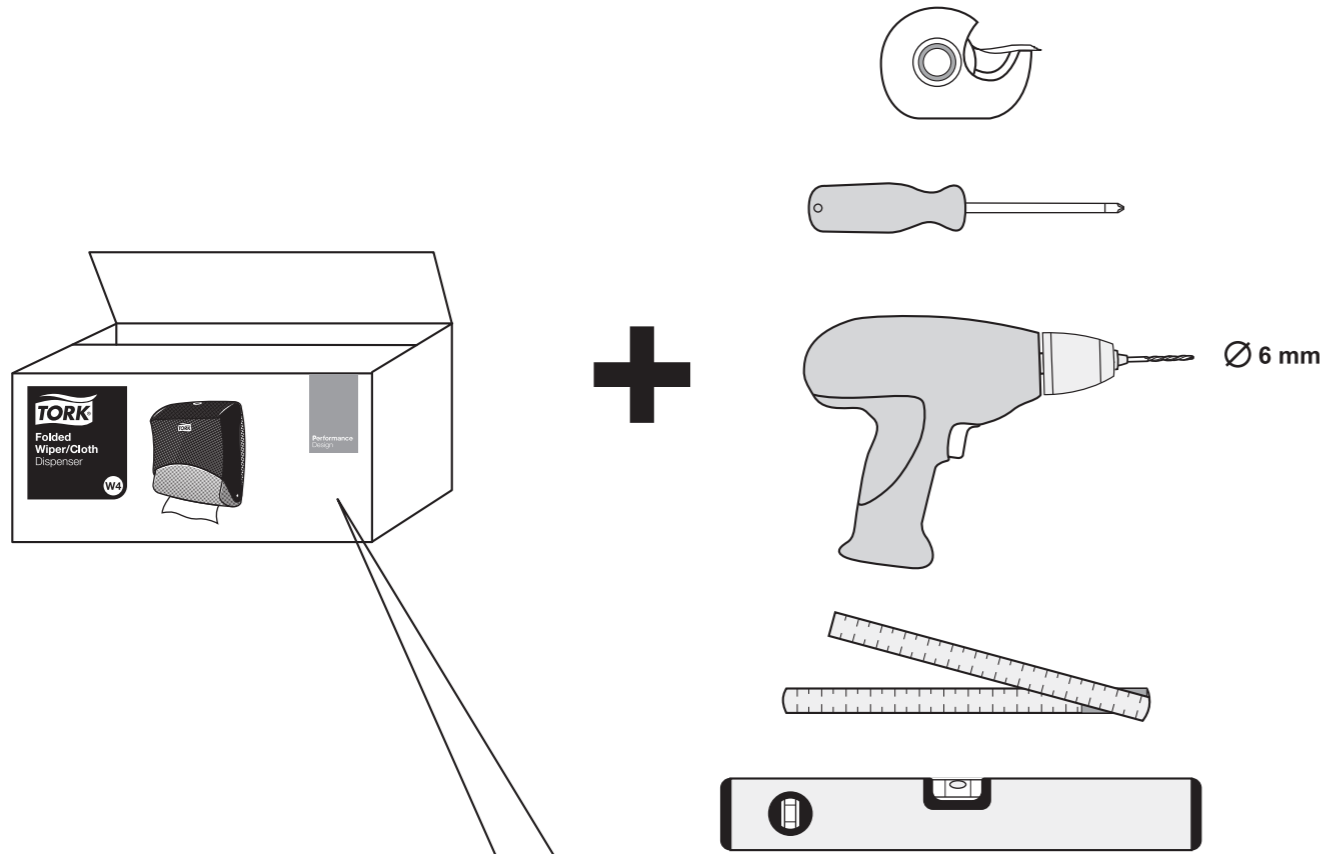
Folded Wiper/Cloth Dispenser

W4

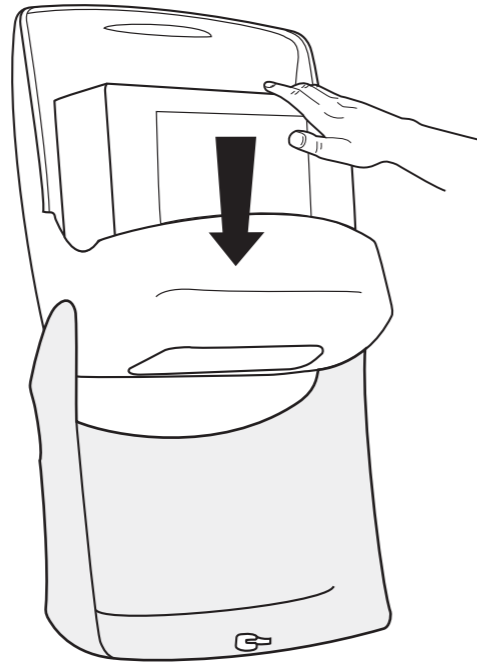
Performance
Design



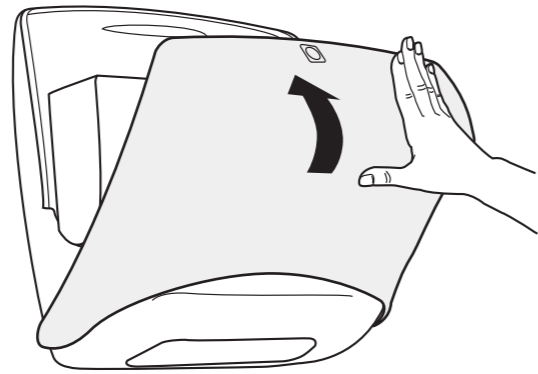
DOMINIQUE DUTSCHER SAS



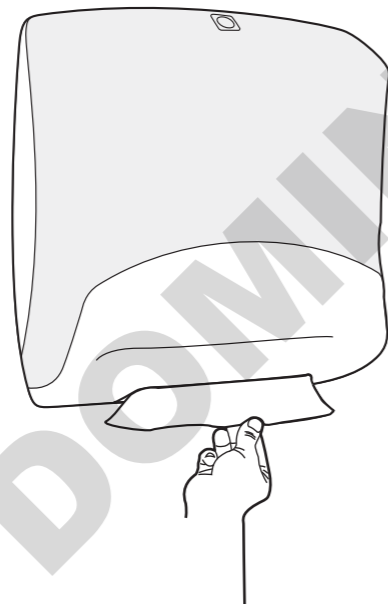
4.



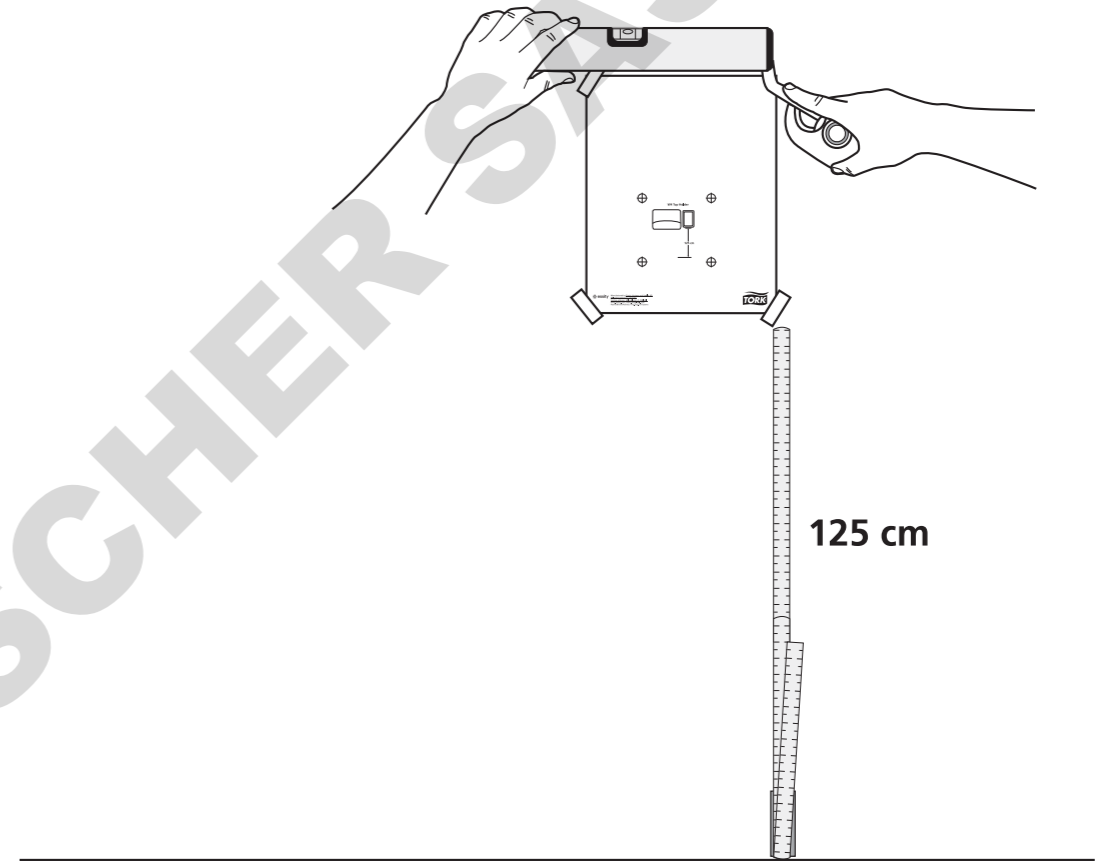
5.



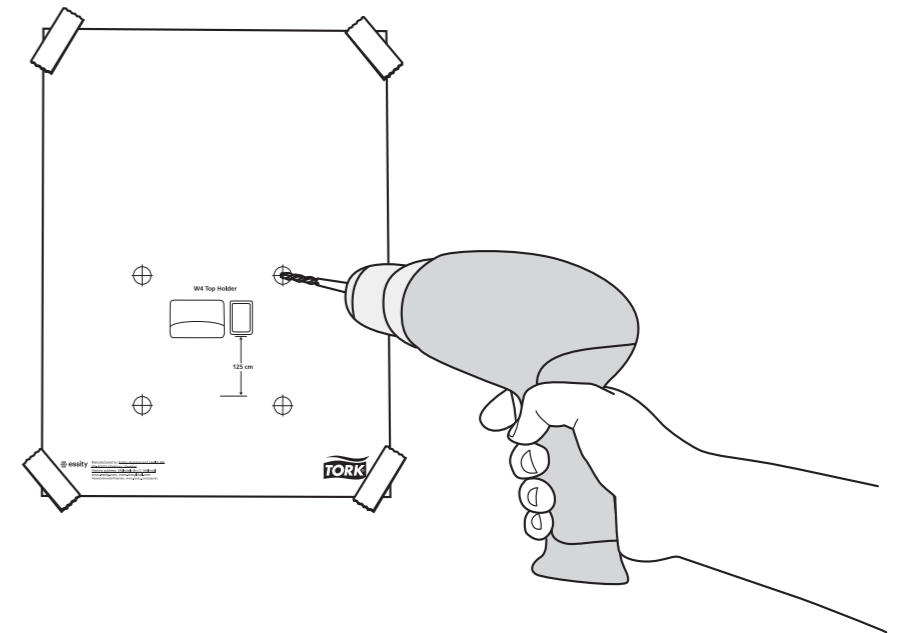
6.



1.



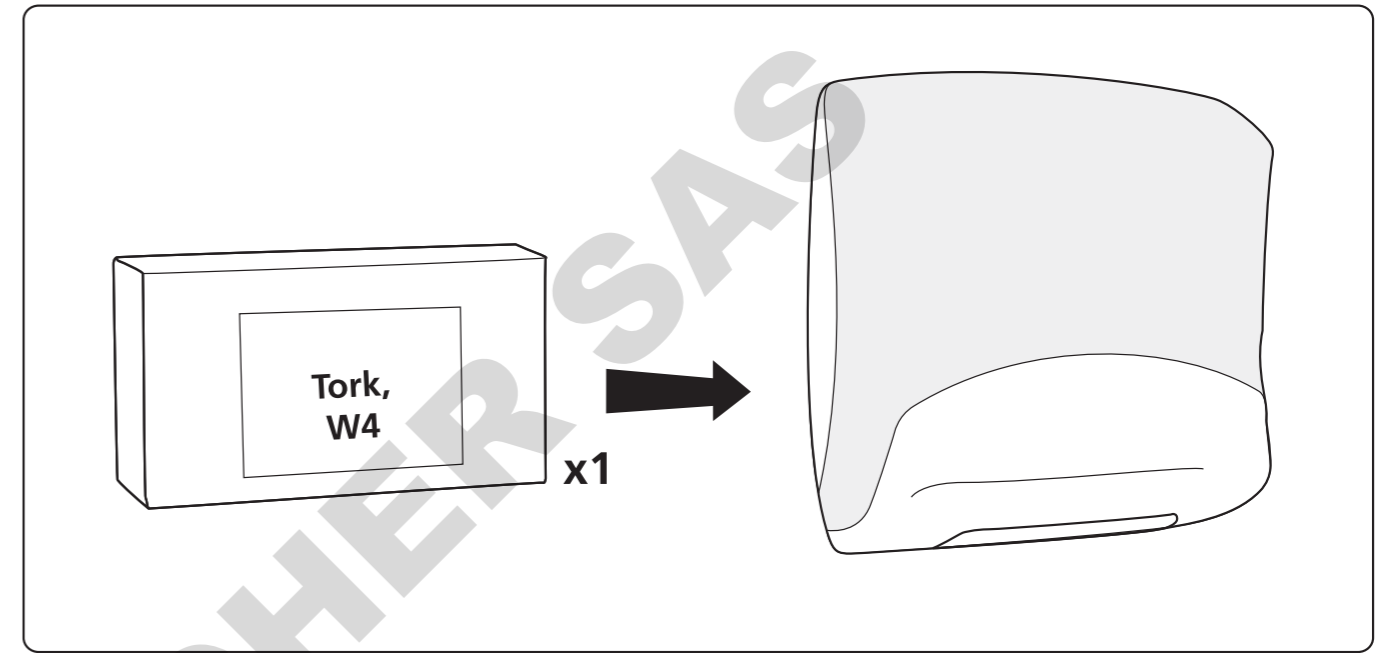
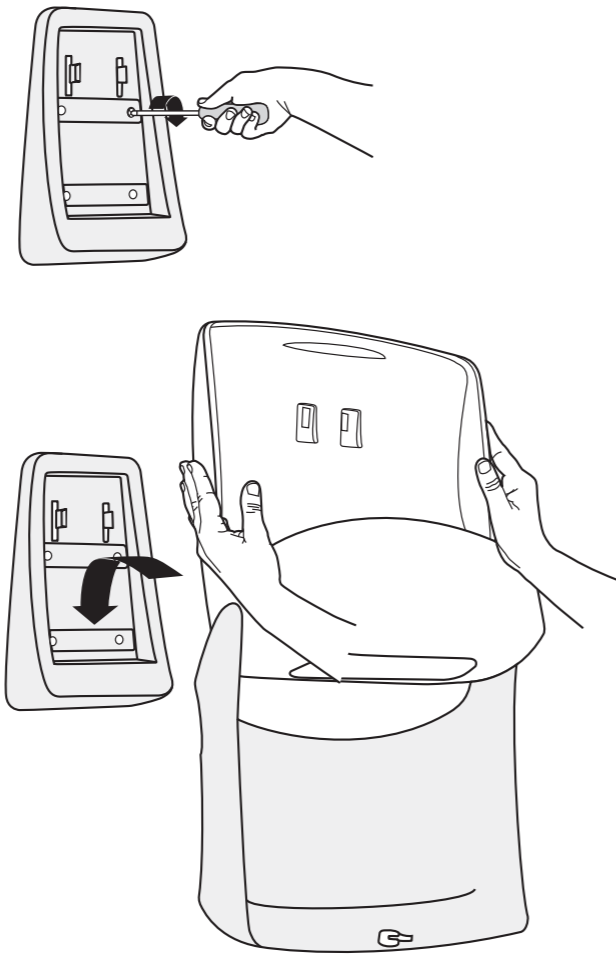
2.



4.

 x4

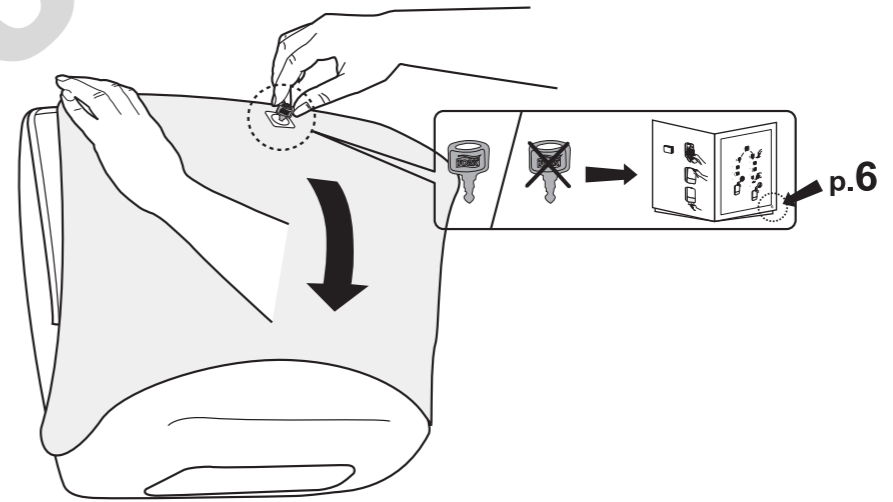
 x4



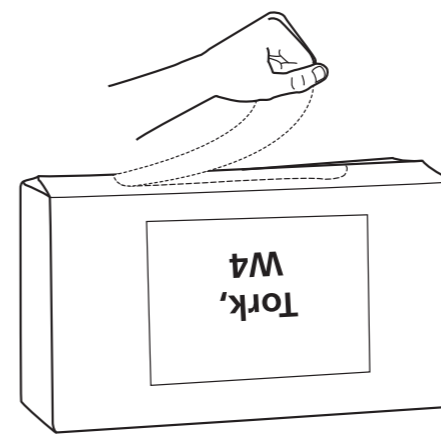
5.



1.



2.



3.

