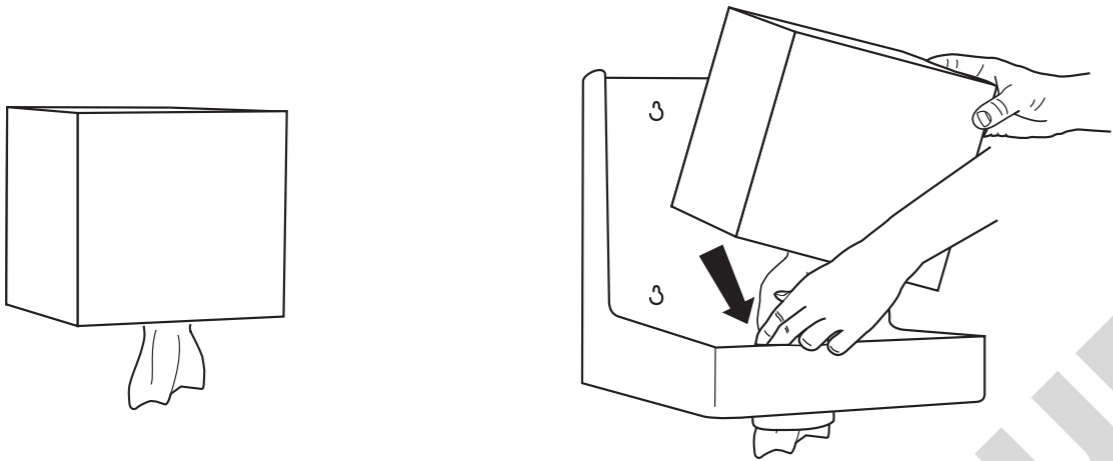
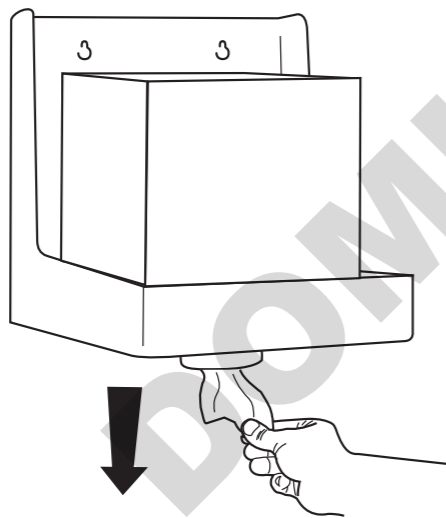


1.

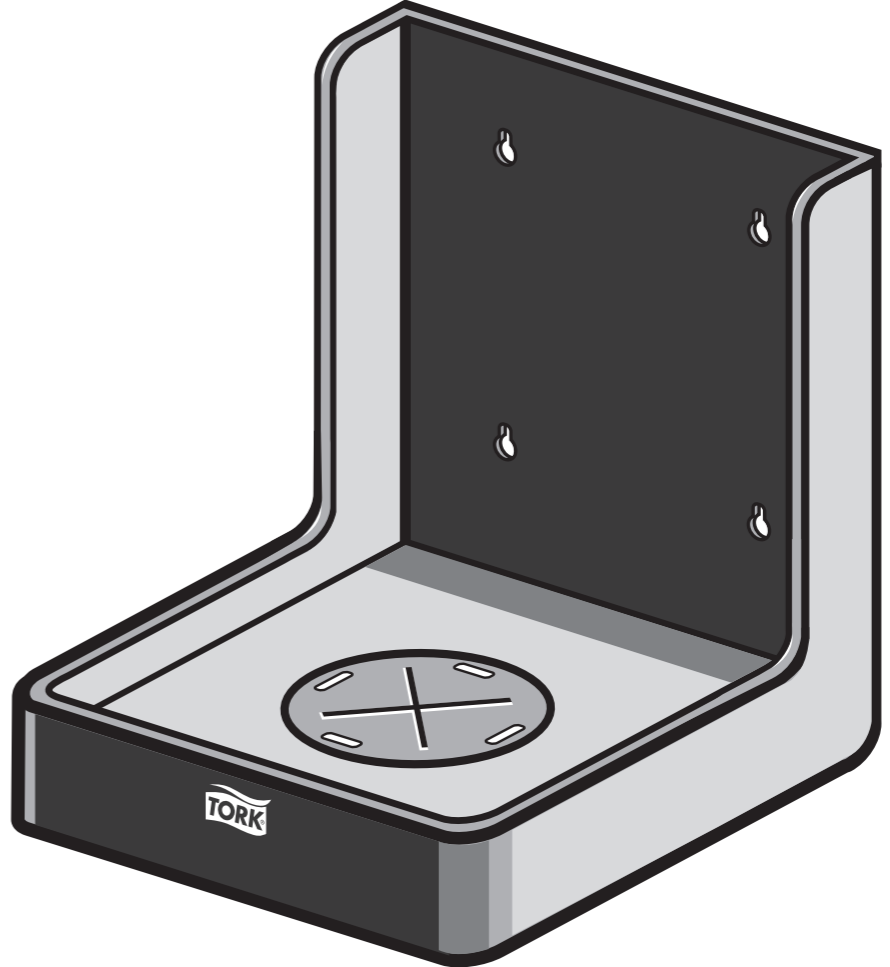


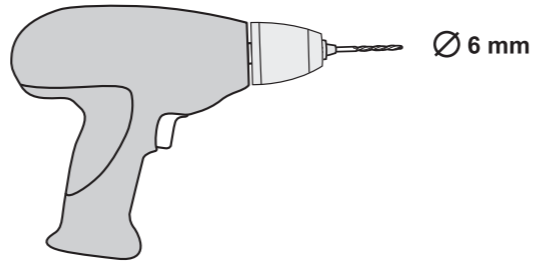
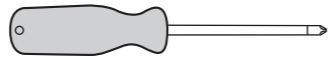
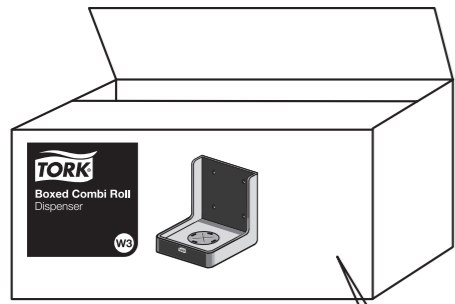
2.



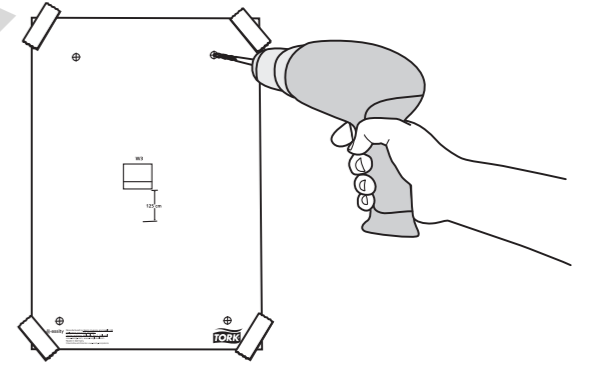
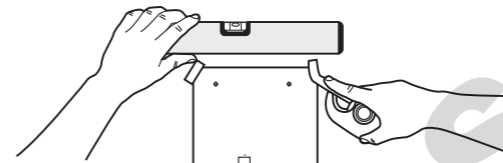
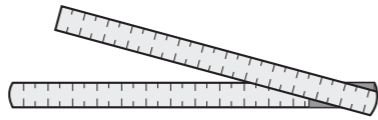
3.

**essity** Manufactured by Essity Hygiene and Health AB  
 SE-40503 Göteborg, Sweden  
 Visiting address: Mölndals Bro 2, Mölndal  
 www.essity.com, www.torkglobal.com  
 Made in Germany  
 Patents/Brevets/Patentes: www.essity.com/patents





Ø 6 mm



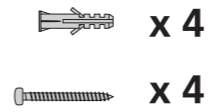
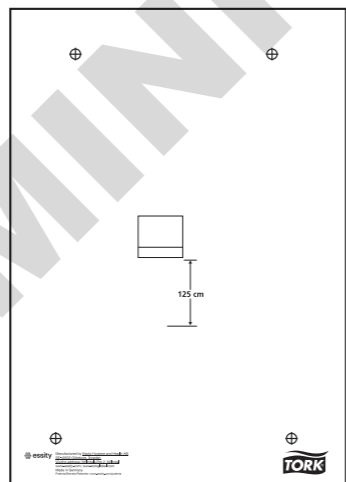
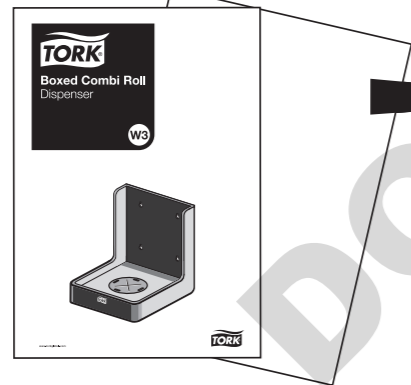
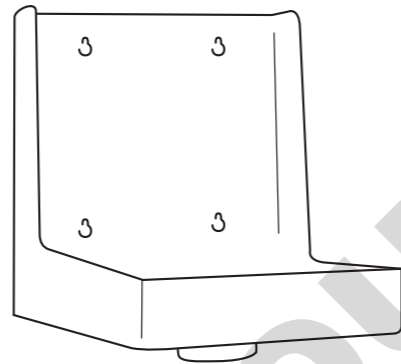
125 cm



x 4



x 4



x 4

x 4

