

European Community Design Registration RCD 001149447

2012-12-05

Maxi Centrefeed Dispenser

W2

Performance
Design



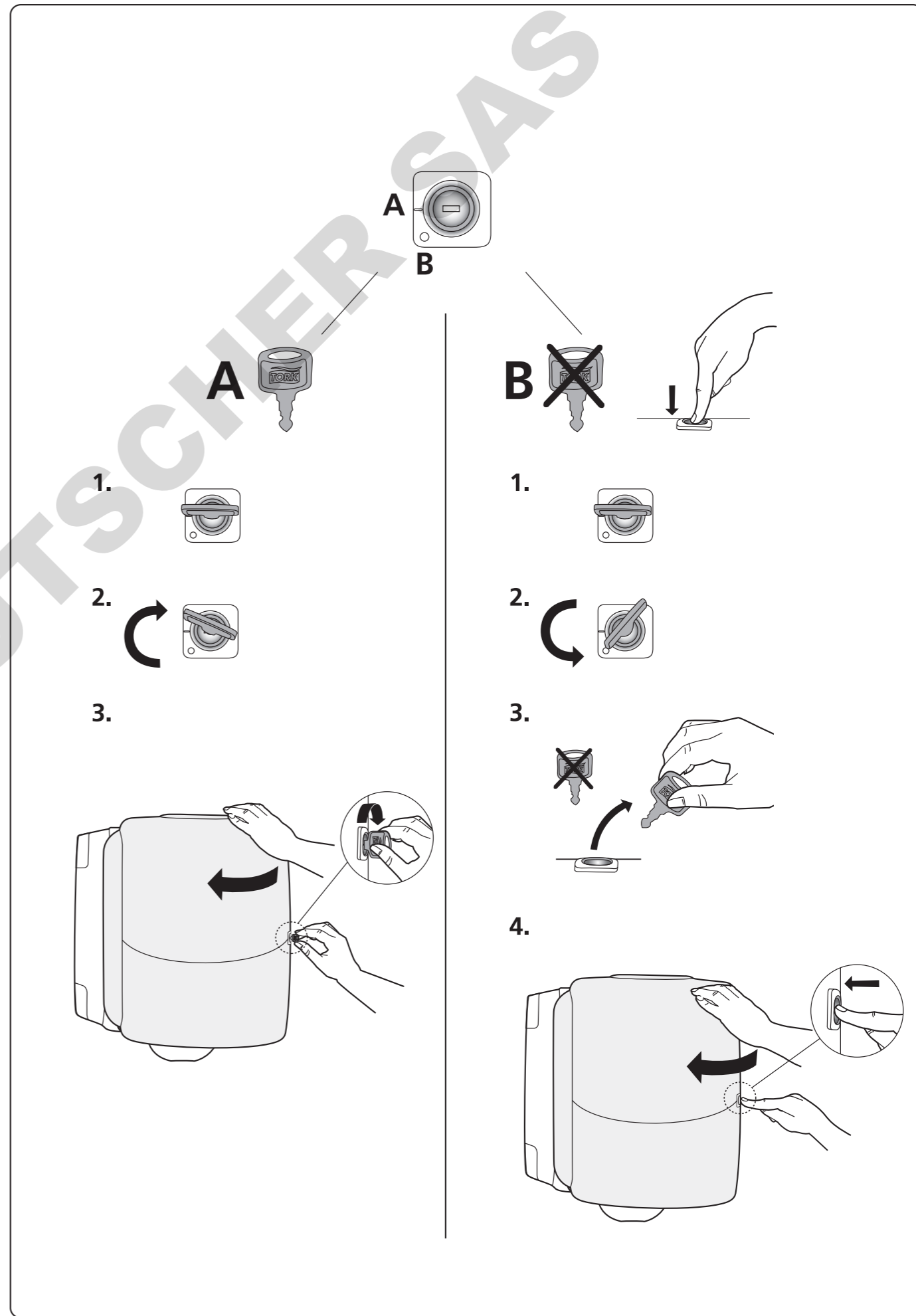
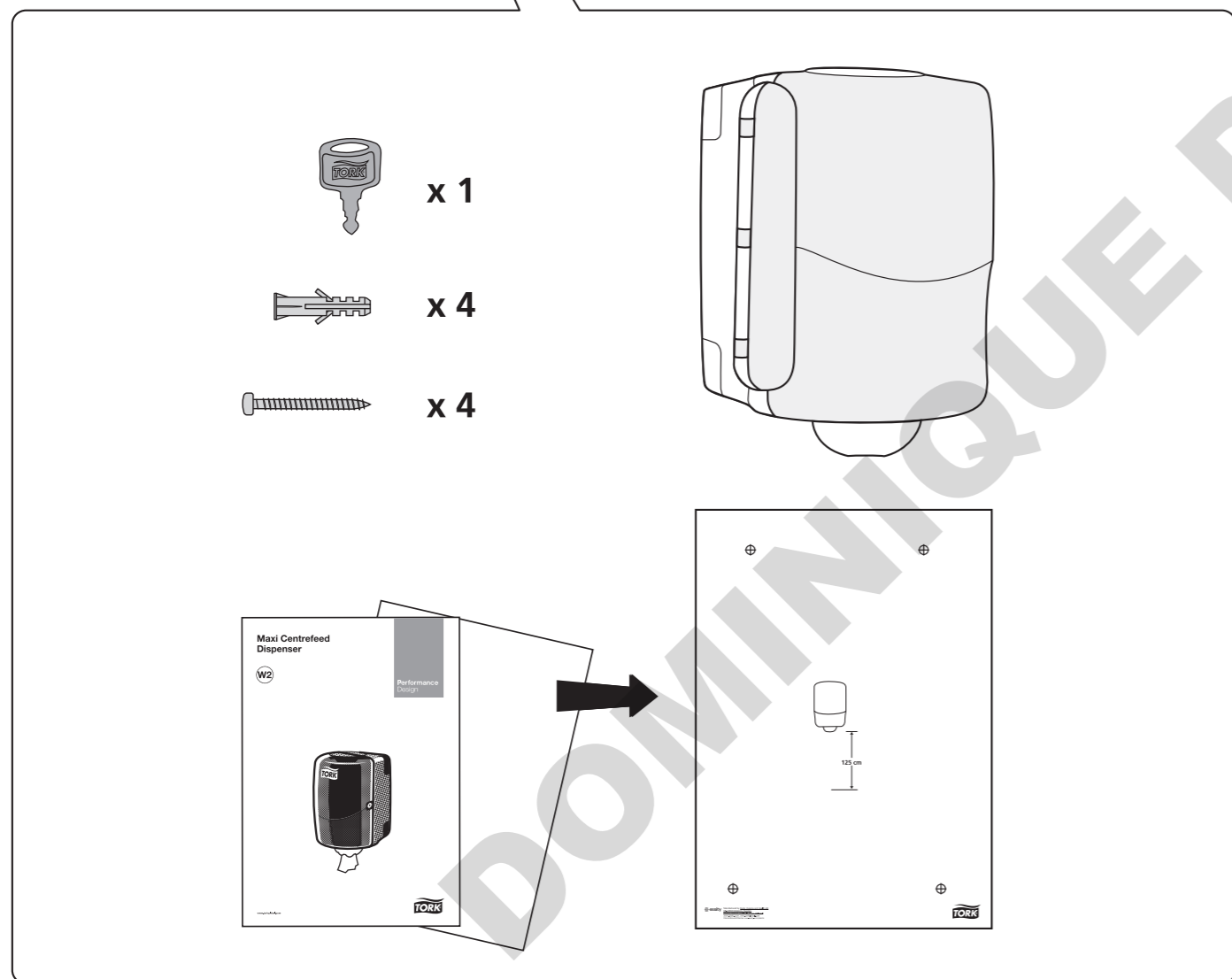
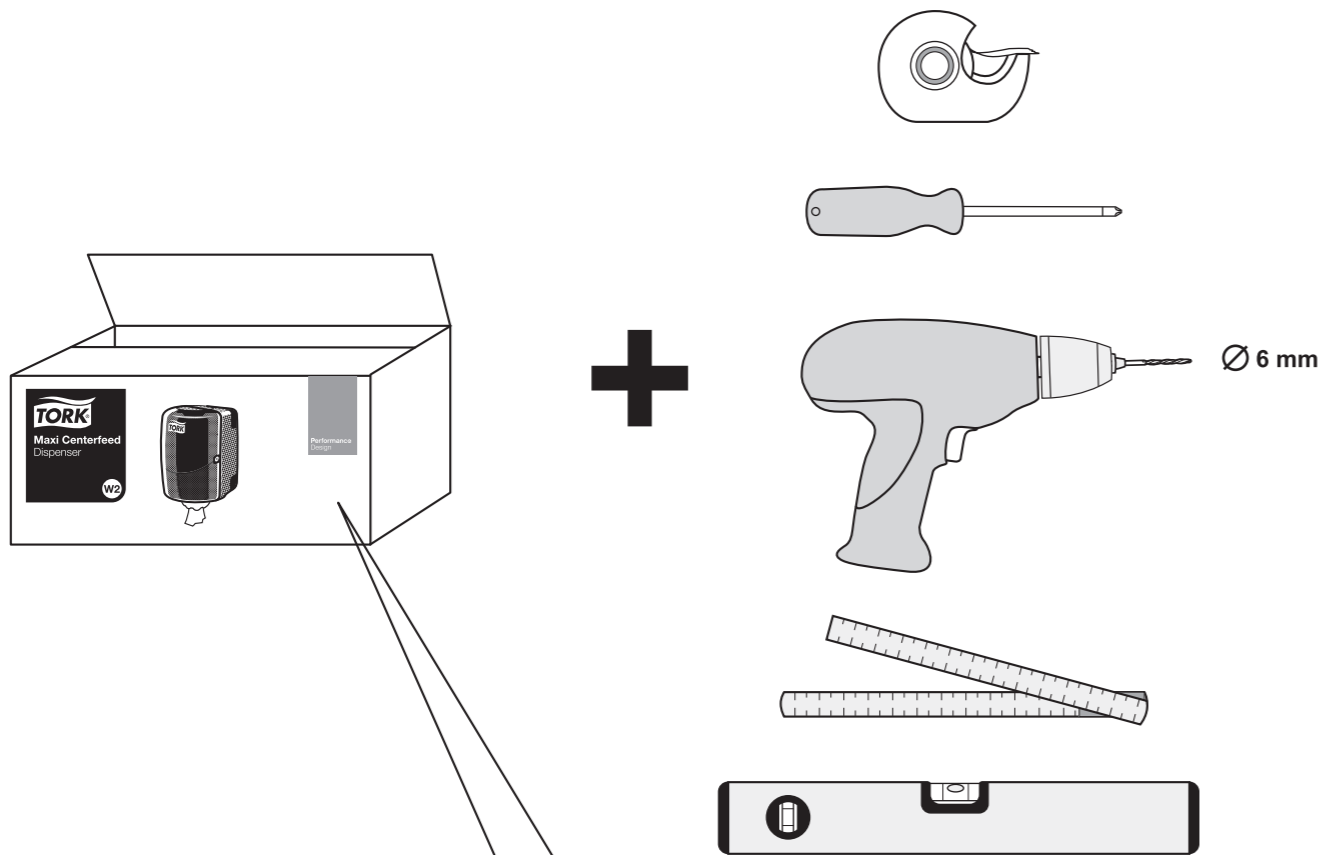
DOMINIQUE DUTSCHER SAS



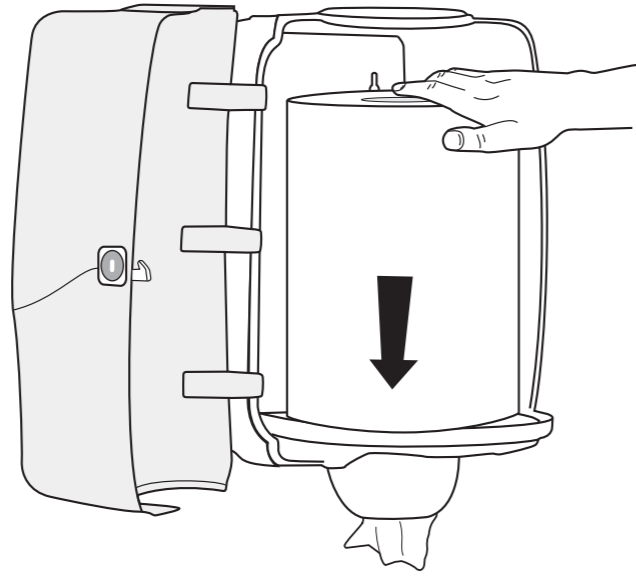
Manufactured by Essity Hygiene and Health AB
SE-40503 Göteborg, Sweden
Visiting address: Möldals Bro 2, Mölndal
www.essity.com, www.torkglobal.com
Made in Germany
Patents/Brevets/Patentes: www.essity.com/patents

www.torkglobal.com

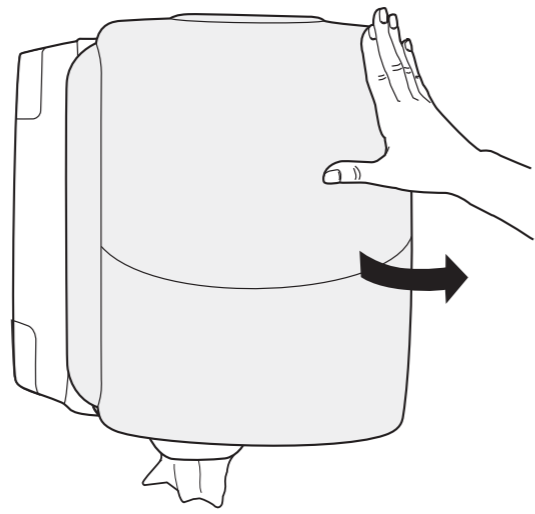




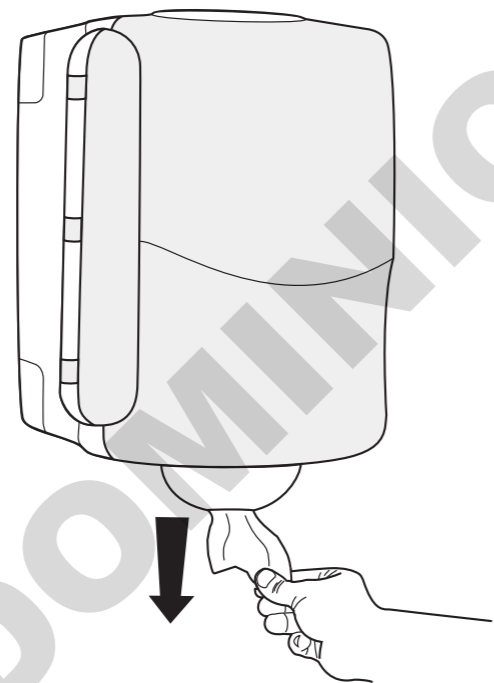
4.



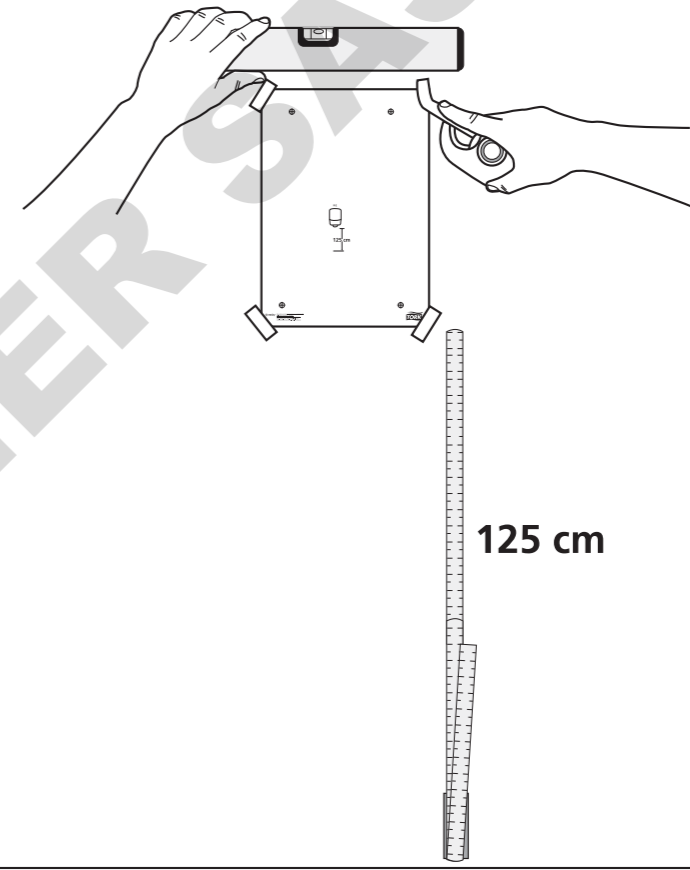
5.



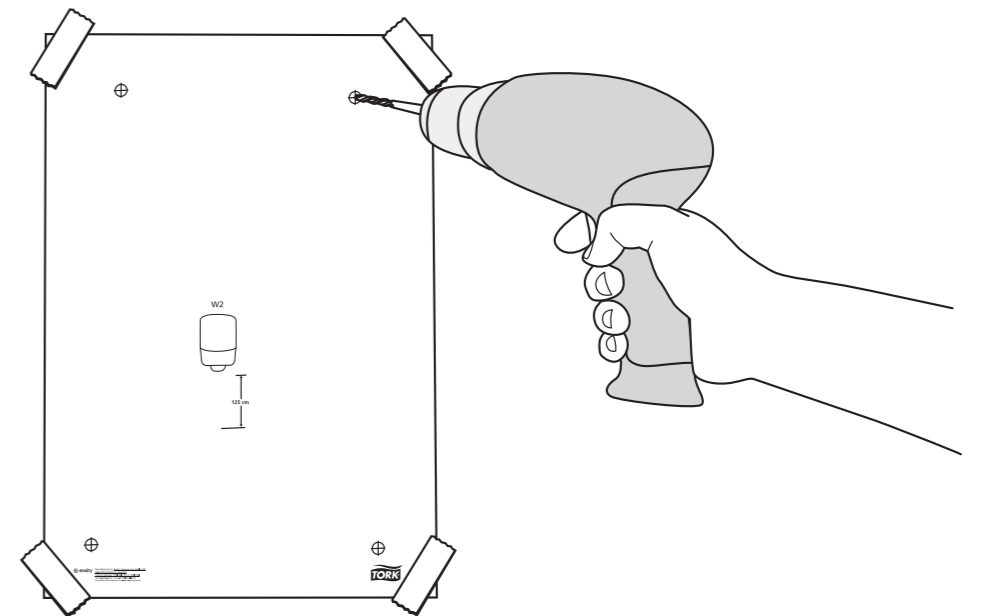
6.





1.

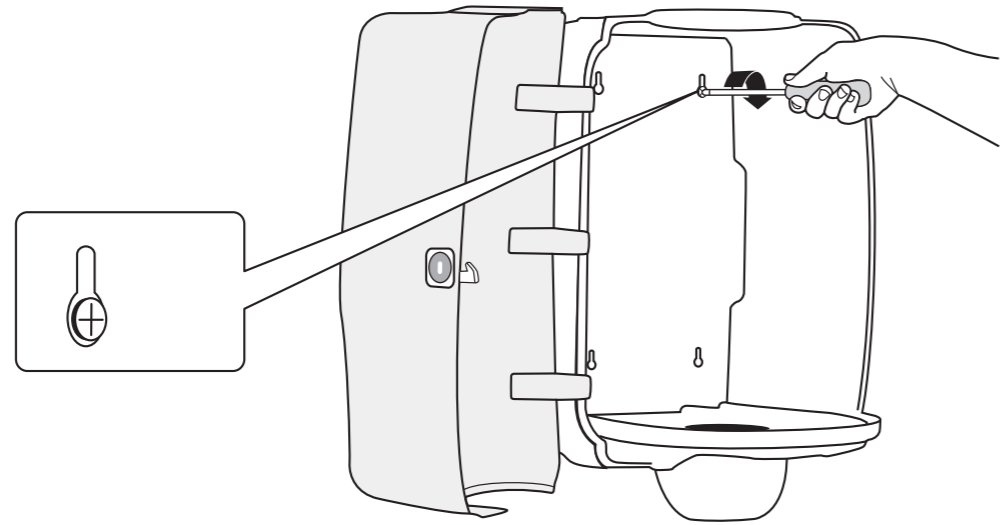


2.

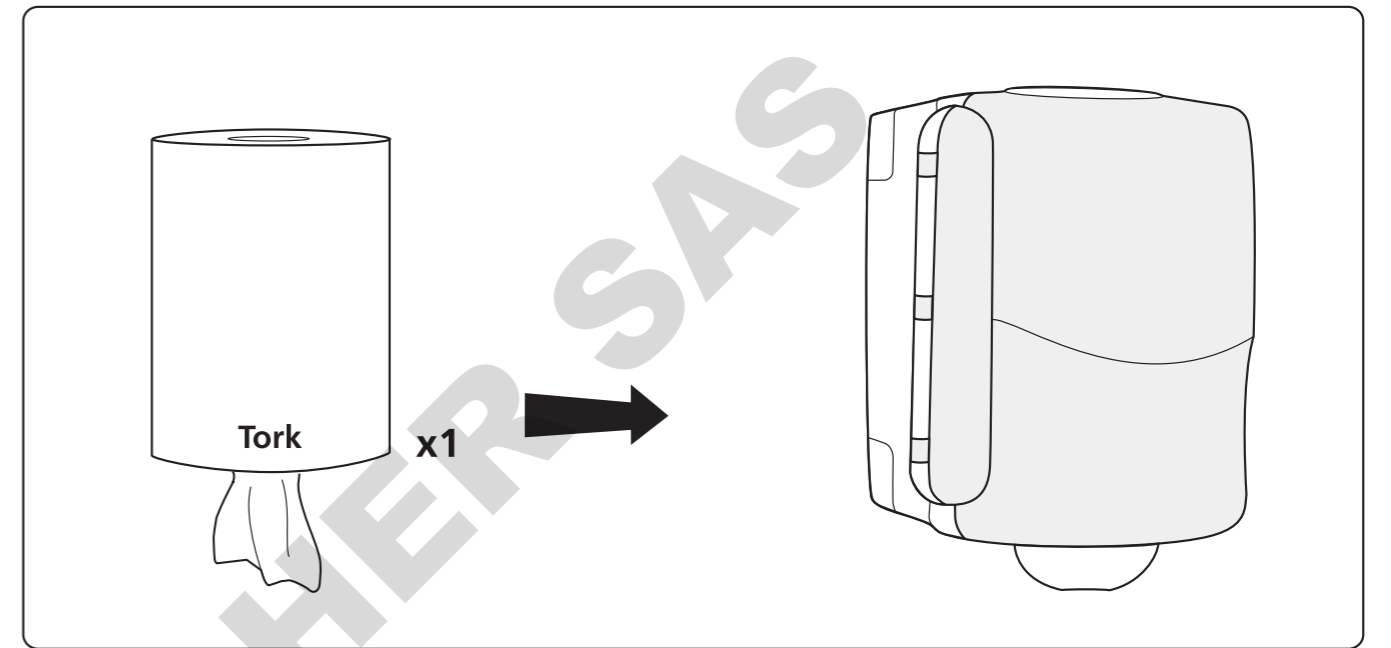
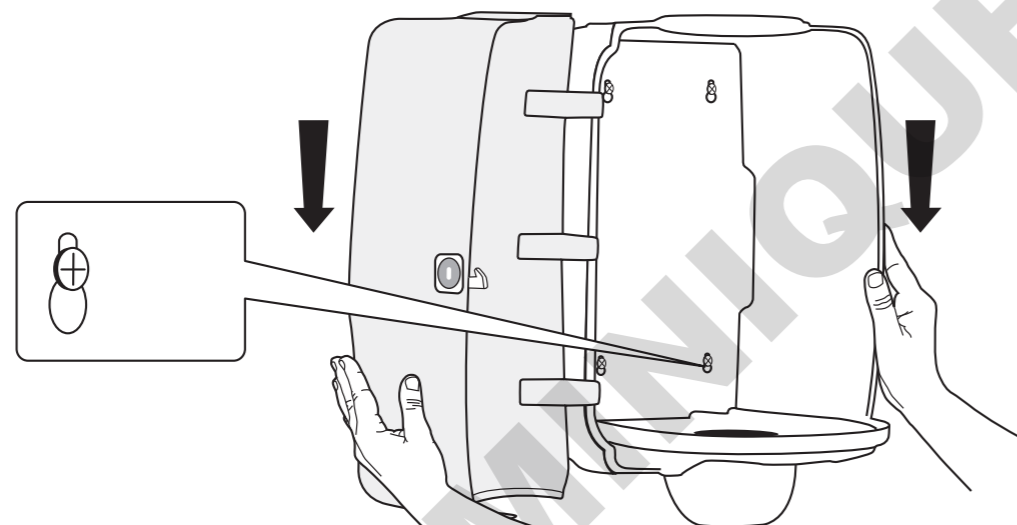


3.

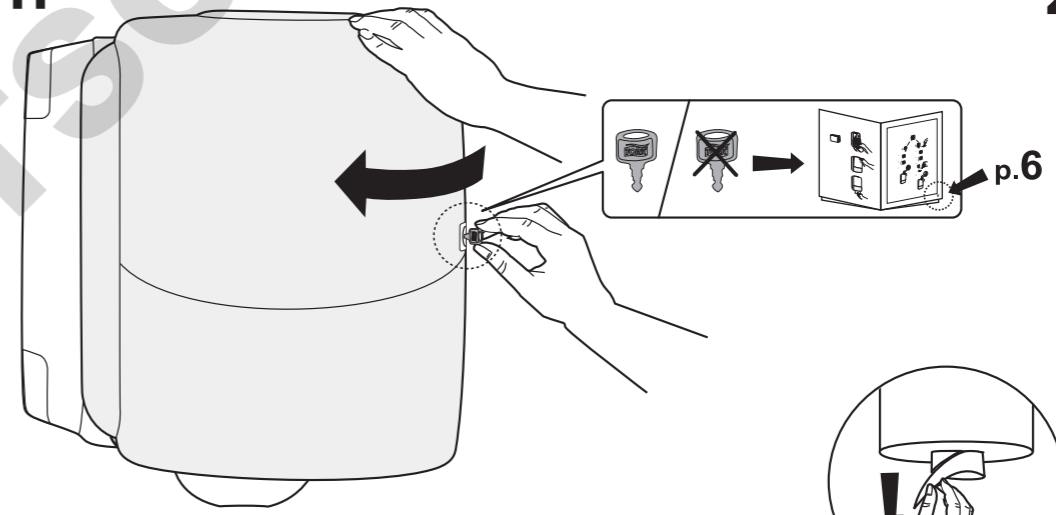
 x4
 x4



4.



1.



2.

3.

