

European Community Design Registration RCD 001149447

2012-12-05

Maxi Centrefeed Dispenser

W2

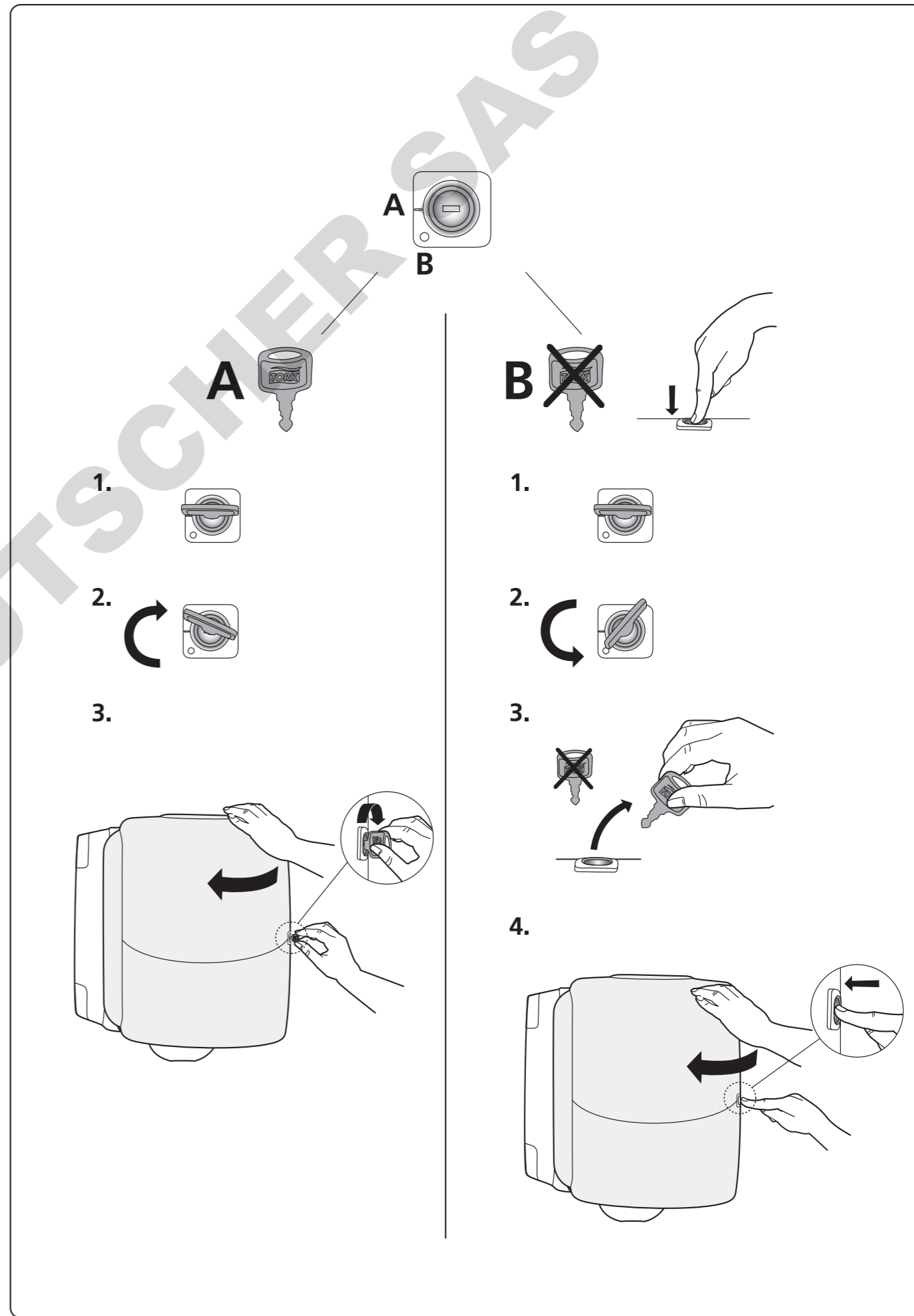
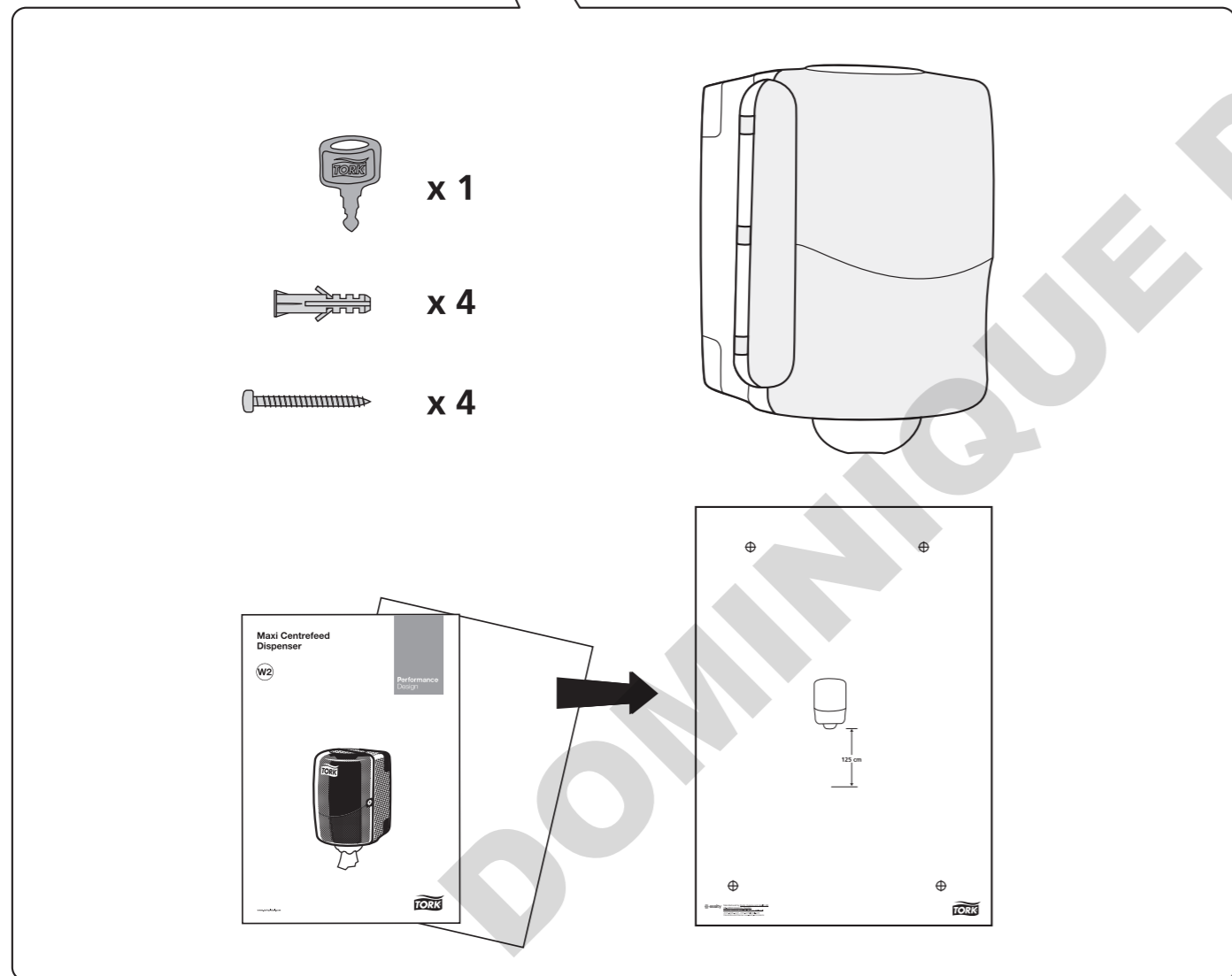
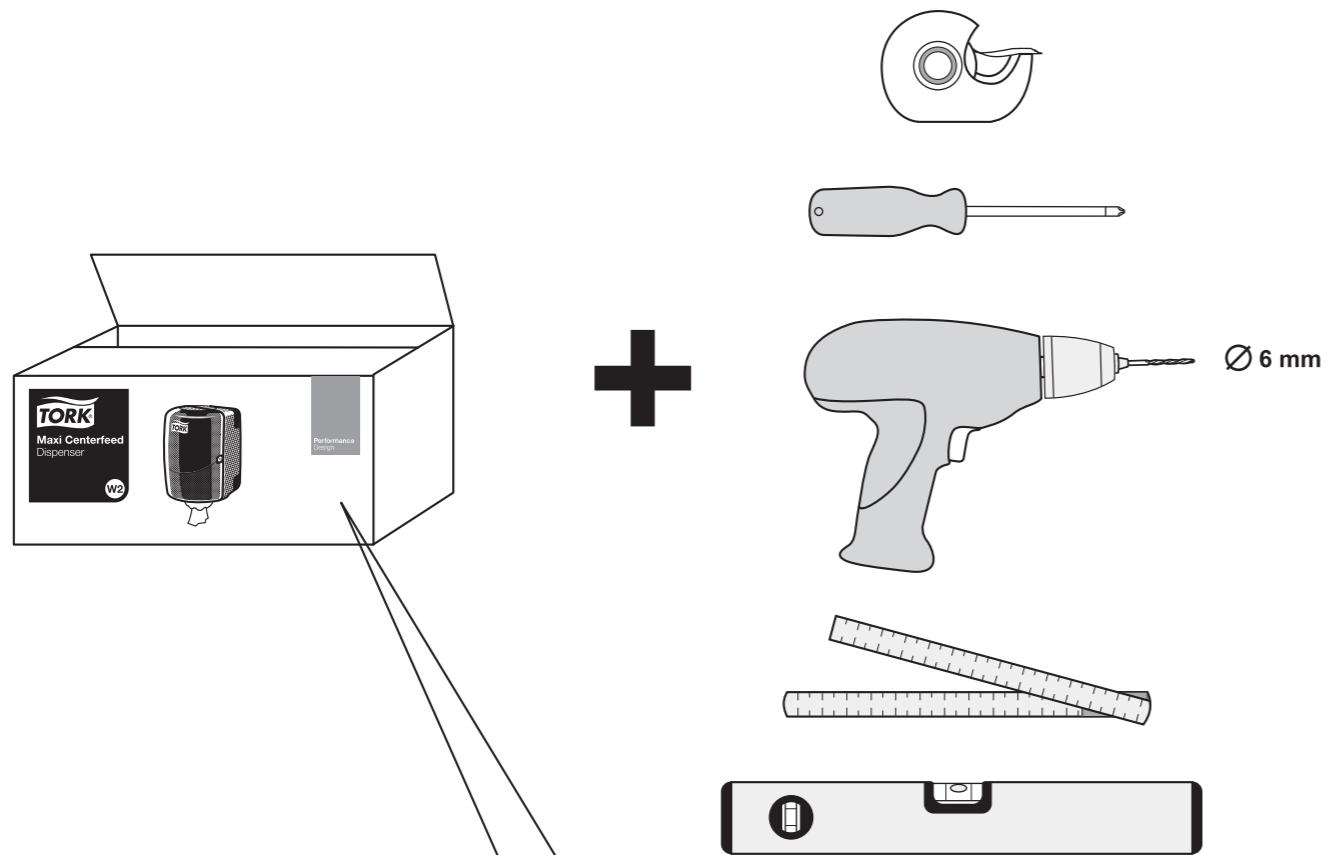
Performance
Design



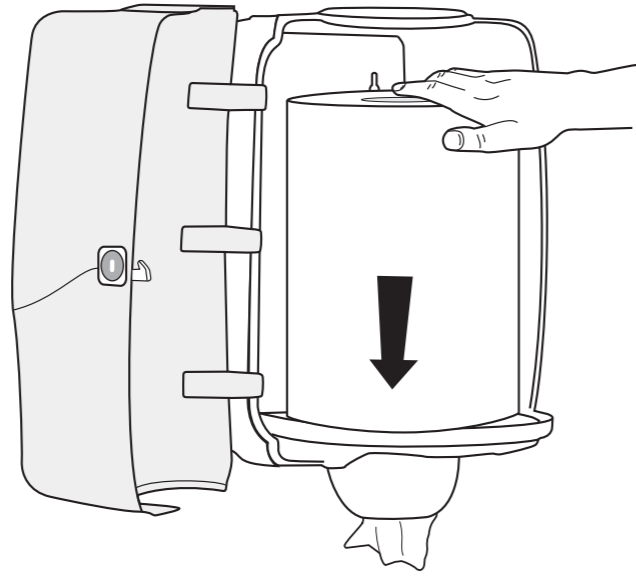
 **essity** Manufactured by Essity Hygiene and Health AB
SE-40503 Göteborg, Sweden
Visiting address: Mölndals Bro 2, Mölndal
www.essity.com, www.torkglobal.com
Made in Germany
Patents/Brevets/Patentes: www.essity.com/patents

www.torkglobal.com

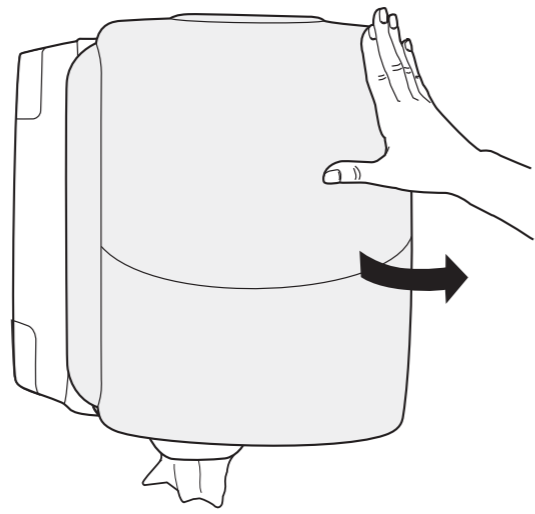
 **TORK**



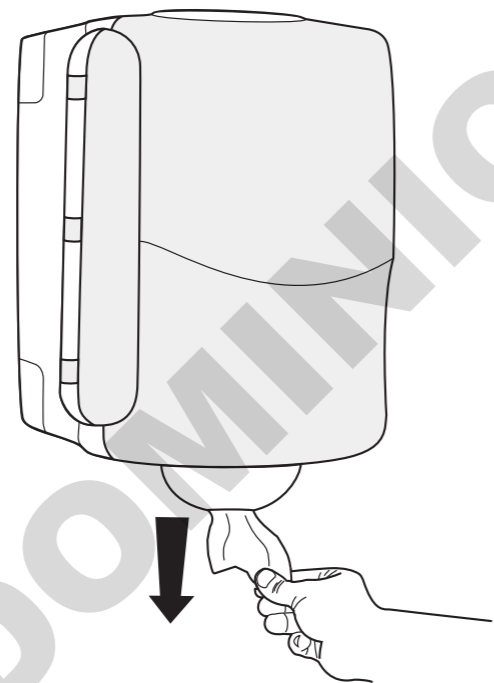
4.



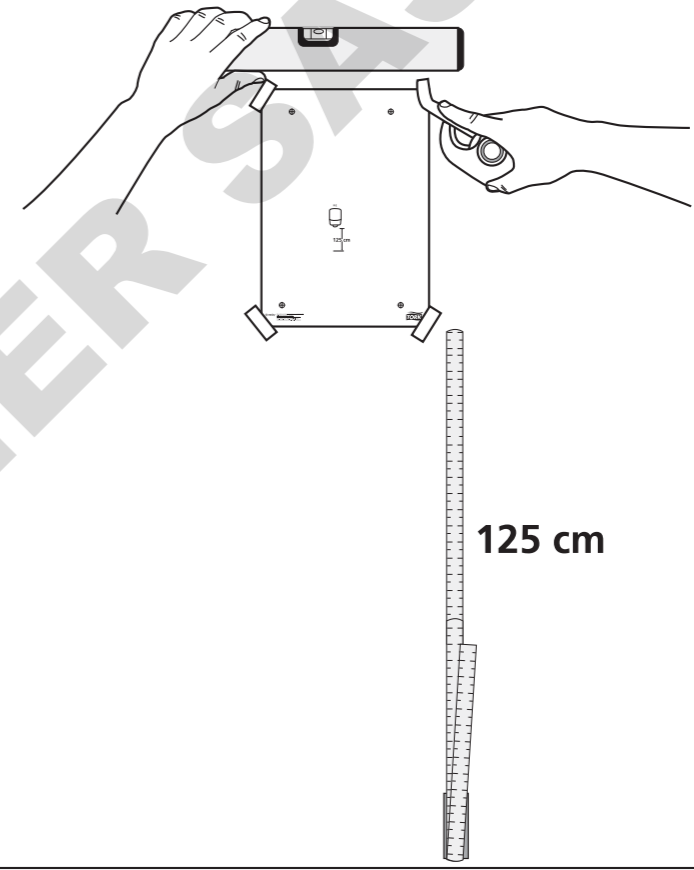
5.



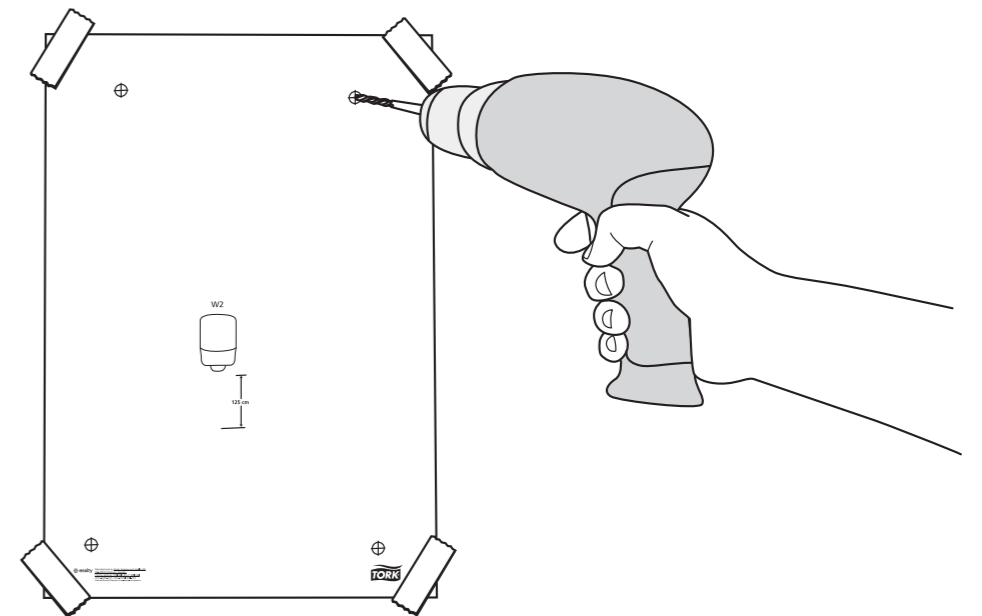
6.





1.

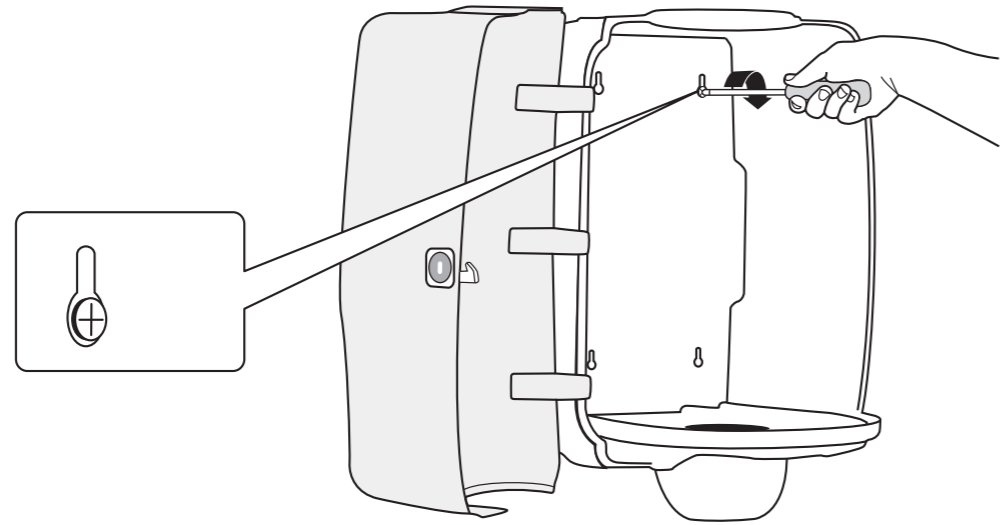


2.

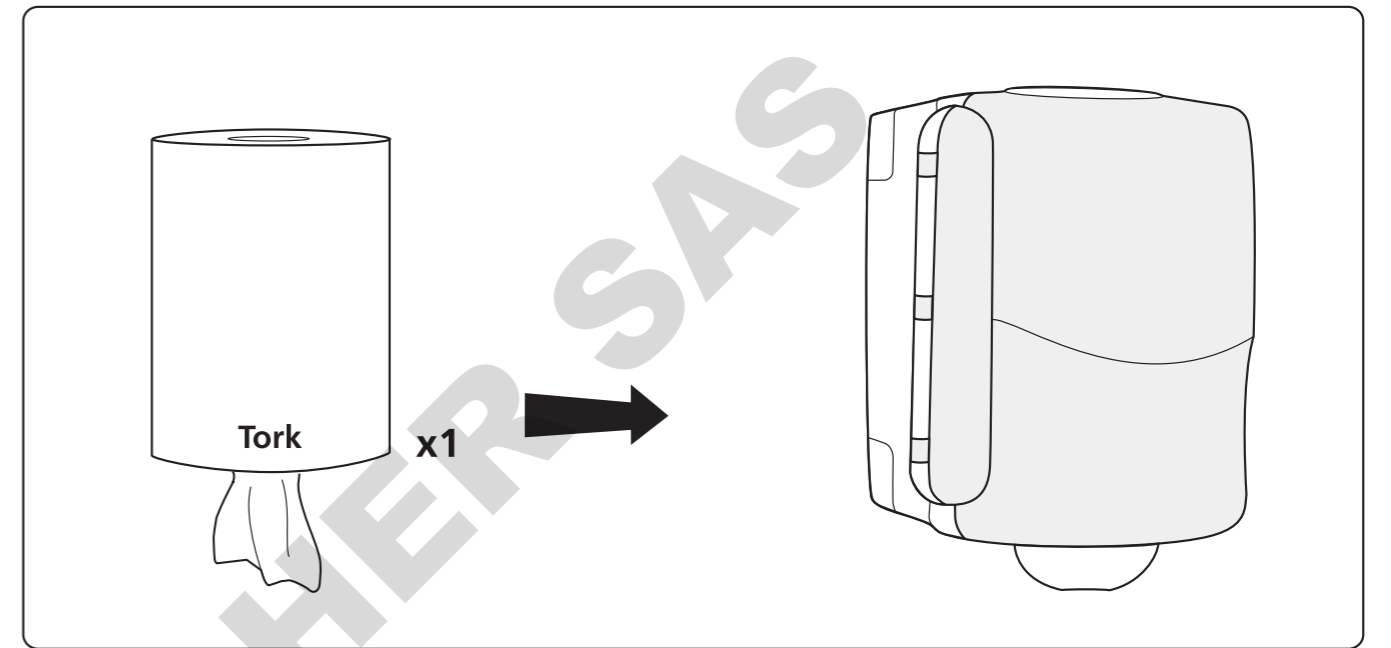
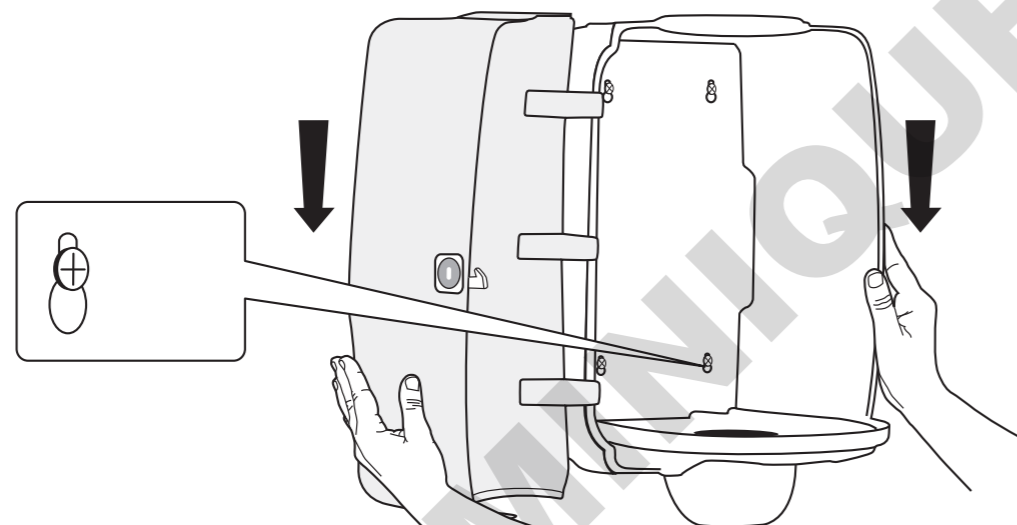


3.

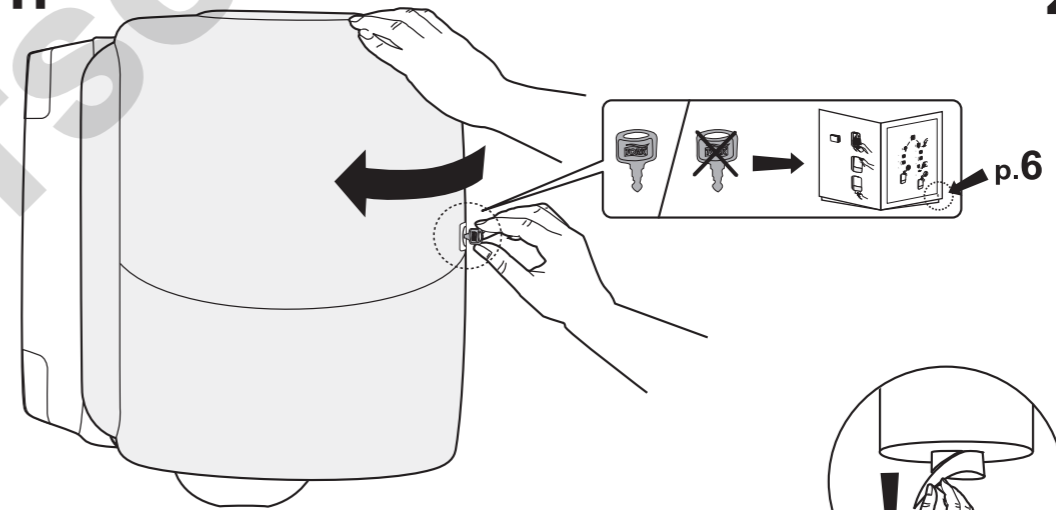
 x4
 x4



4.



1.



2.

3.

