

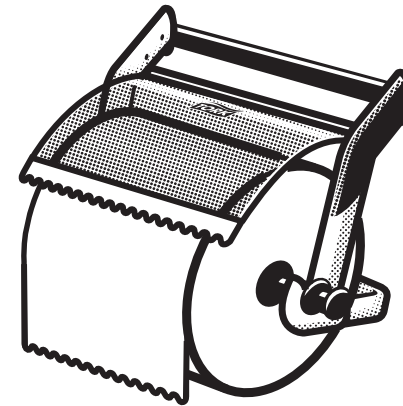
European Community Design Registration RCD 001149447

2012-12-05

## Wall Stand

W1

Performance  
Design



DOMINIQUE DUTSCHER SAS

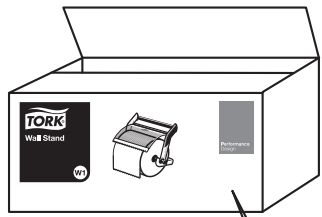


essity

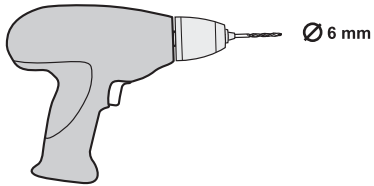
Manufactured by Essity Hygiene and Health AB  
SE-40503 Göteborg, Sweden  
Visiting address: Mölnåls Bro 2, Mölndal  
[www.essity.com](http://www.essity.com), [www.torkglobal.com](http://www.torkglobal.com)  
Made in China  
Patents/Brevets/Patentes: [www.essity.com/patents](http://www.essity.com/patents)

[www.torkglobal.com](http://www.torkglobal.com)

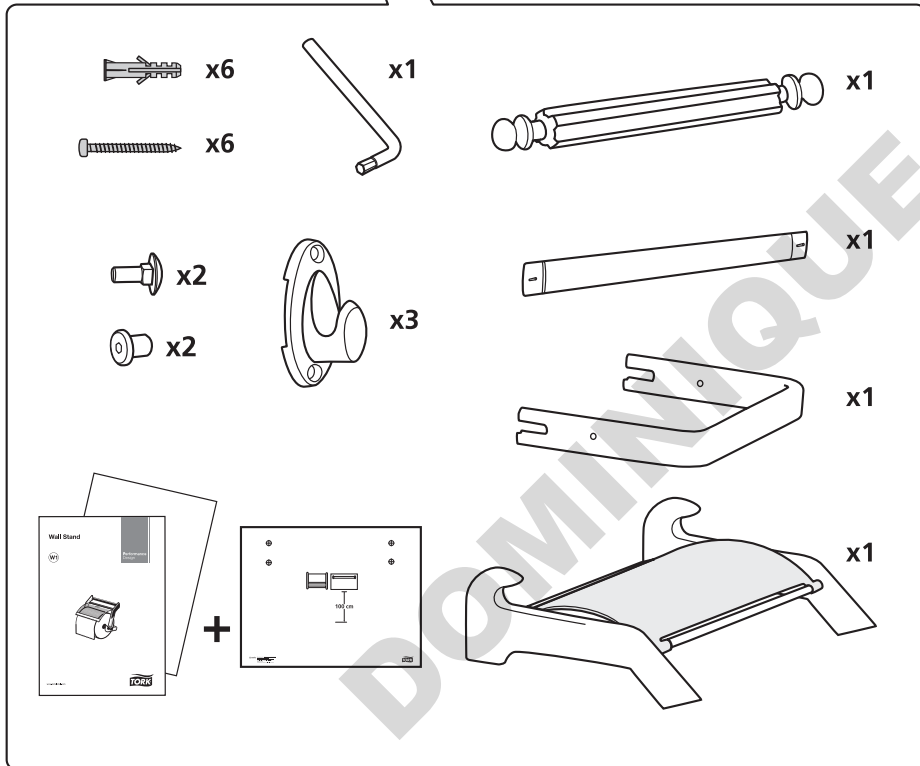
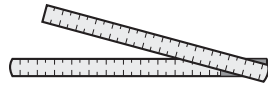
**TORK**<sup>®</sup>



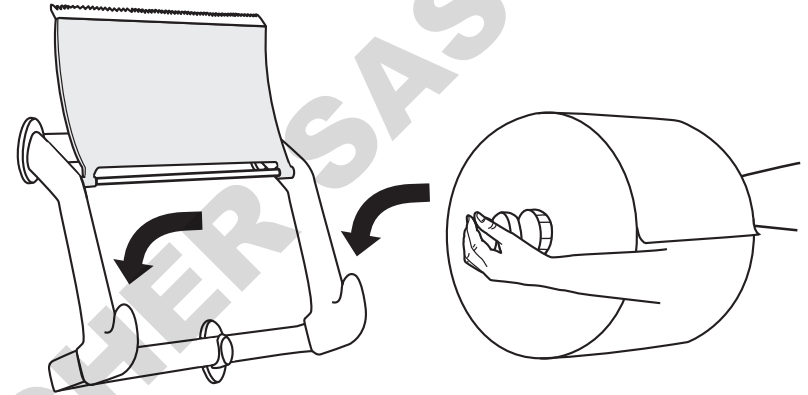
+



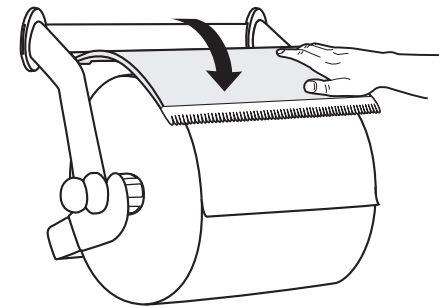
Ø 6 mm



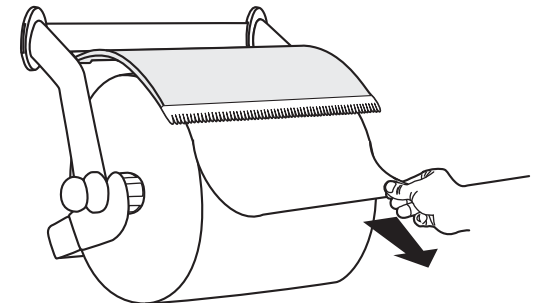
3.

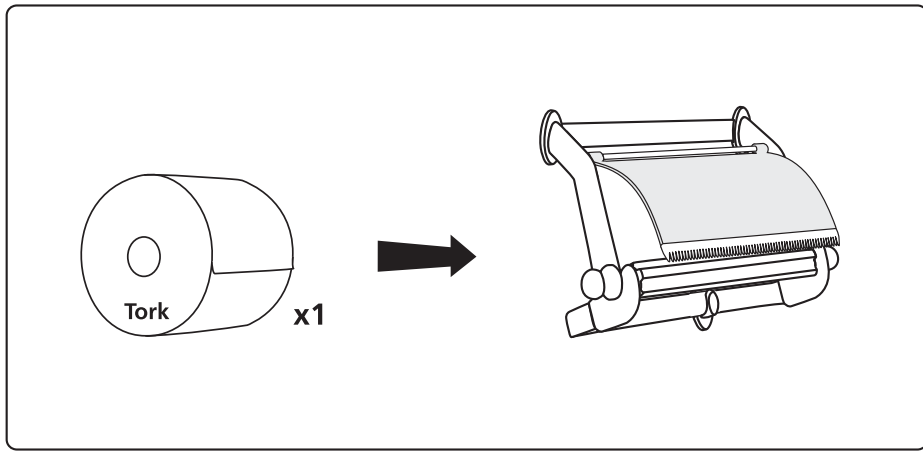


4.

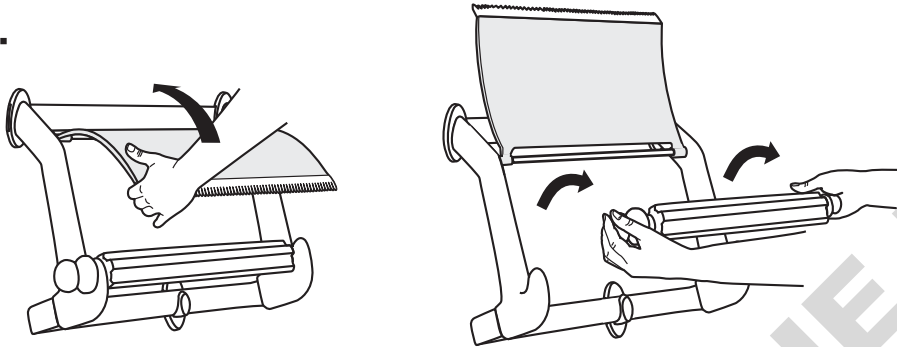


5.

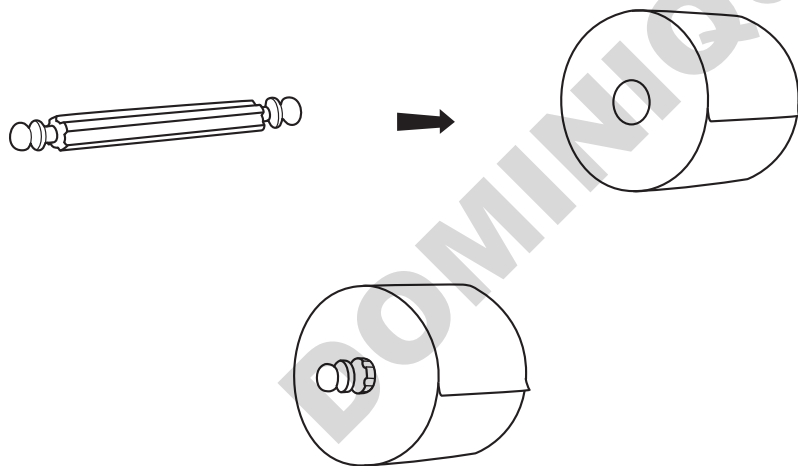




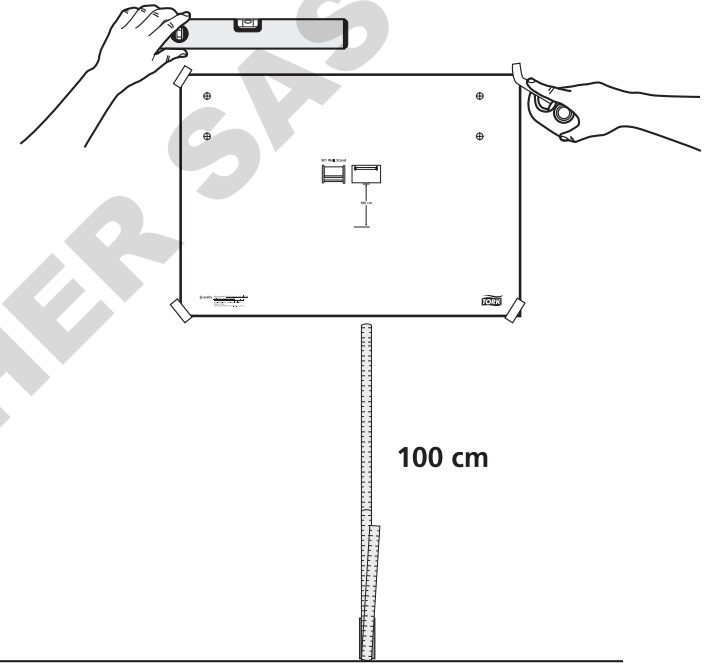
1.



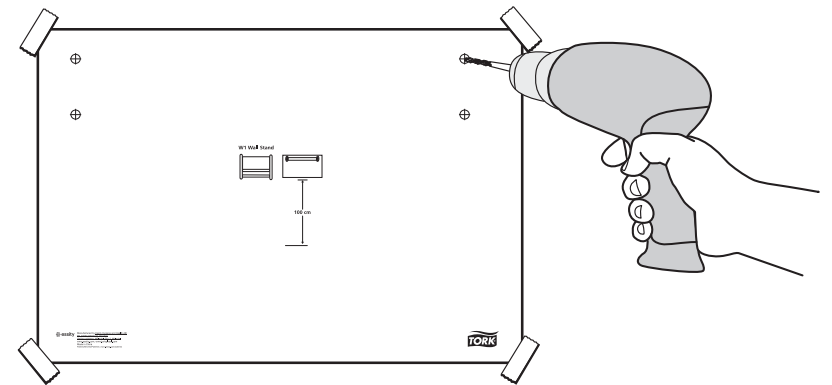
2.



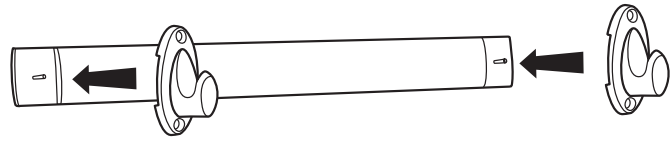
1.



2.



1.



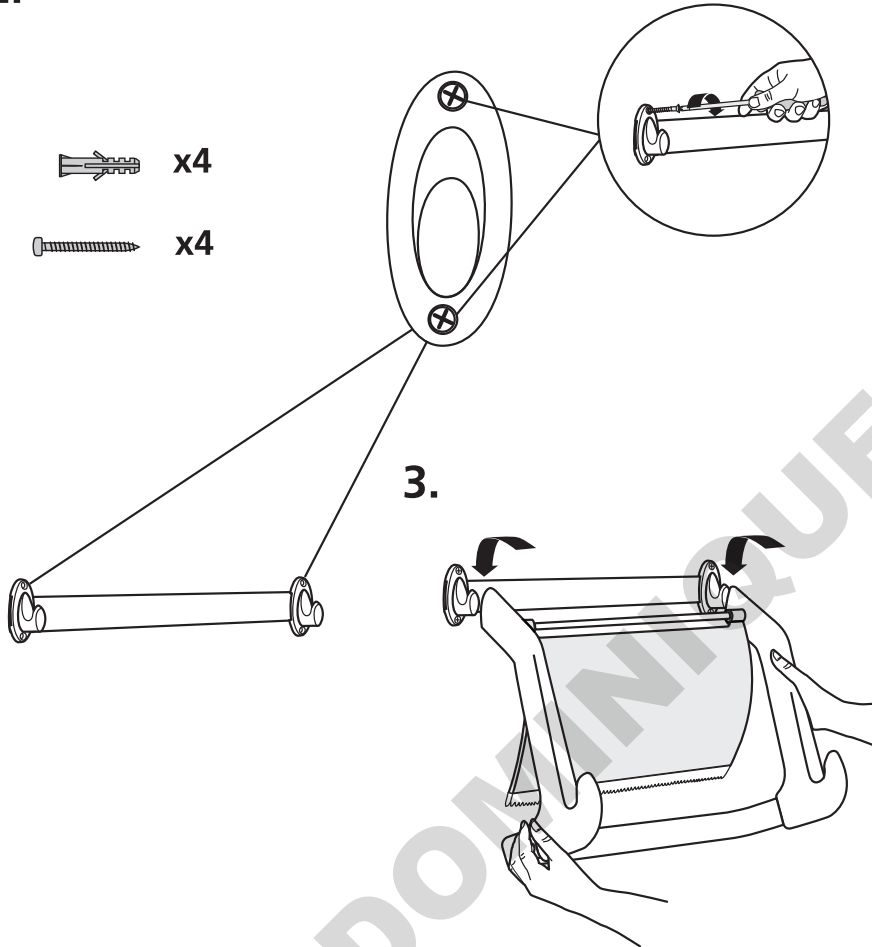
2.



x4

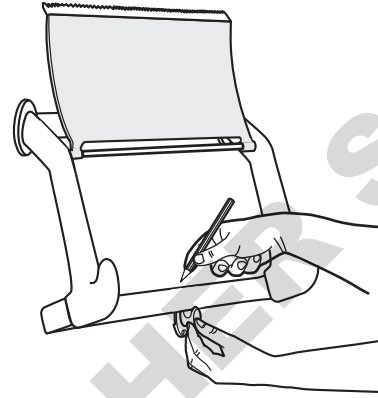


x4

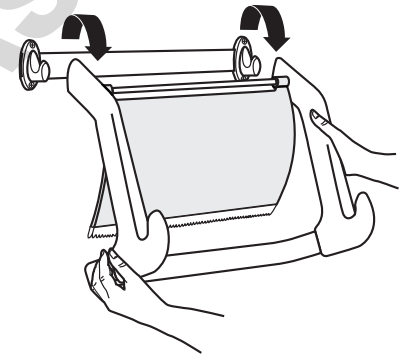


3.

4.



5.



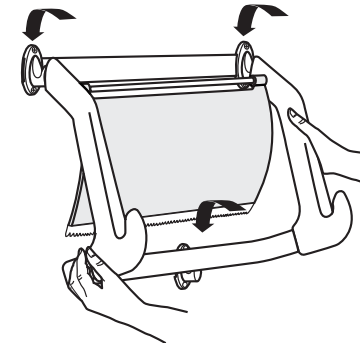
6.



7.



8.



9.

