

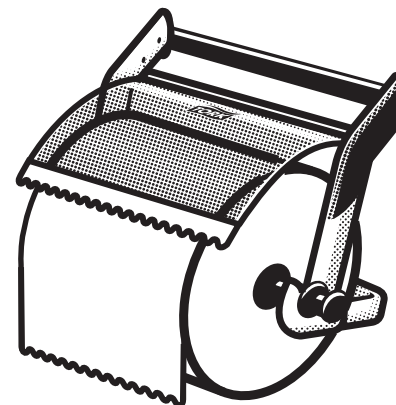
European Community Design Registration RCD 001149447

2012-12-05

Wall Stand

W1

Performance
Design



DOMINIQUE DUTSCHER SAS

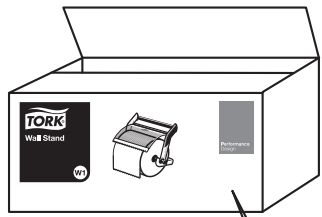


essity

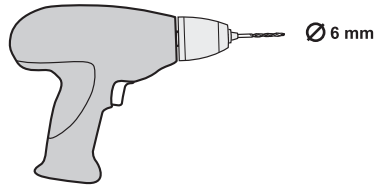
Manufactured by Essity Hygiene and Health AB
SE-40503 Göteborg, Sweden
Visiting address: Mölndals Bro 2, Mölndal
www.essity.com, www.torkglobal.com
Made in China
Patents/Brevets/Patentes: www.essity.com/patents

www.torkglobal.com

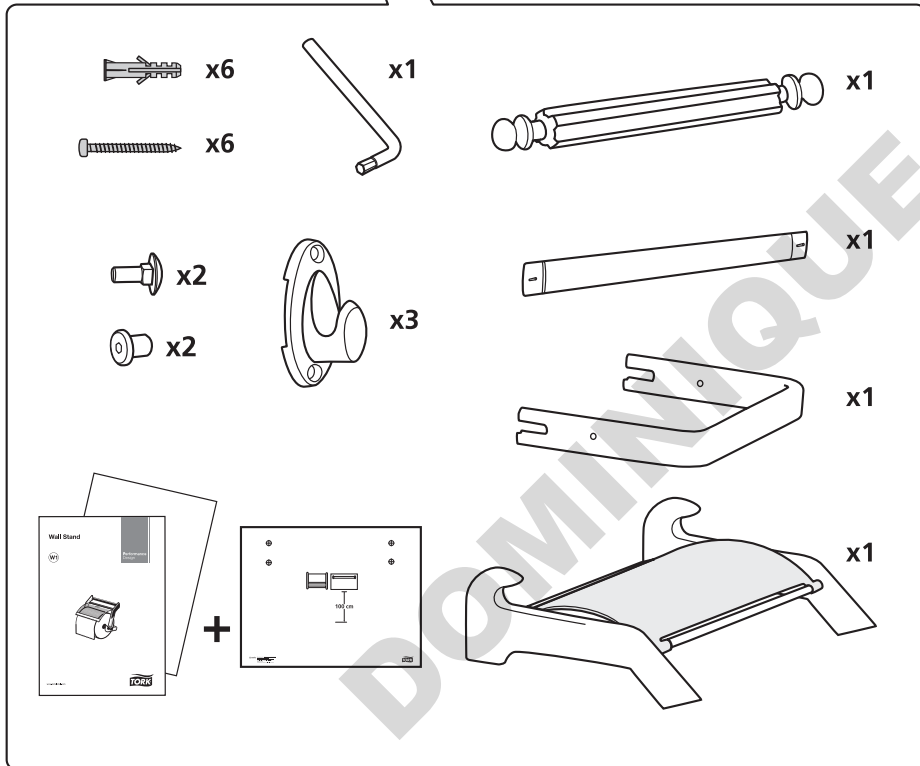
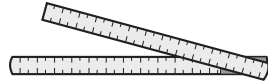
TORK[®]



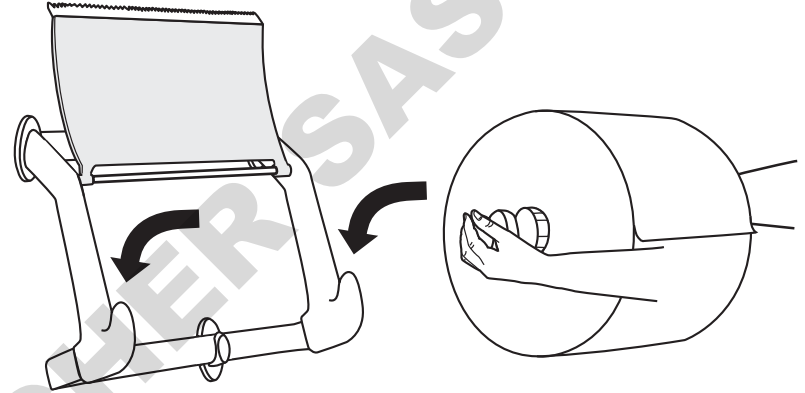
+



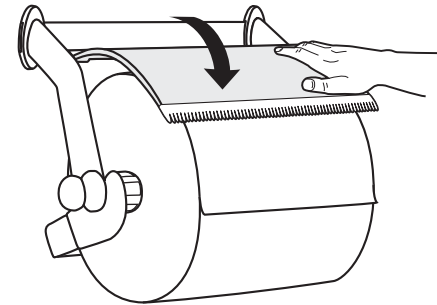
Ø 6 mm



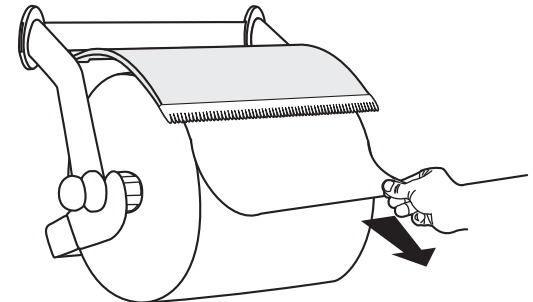
3.

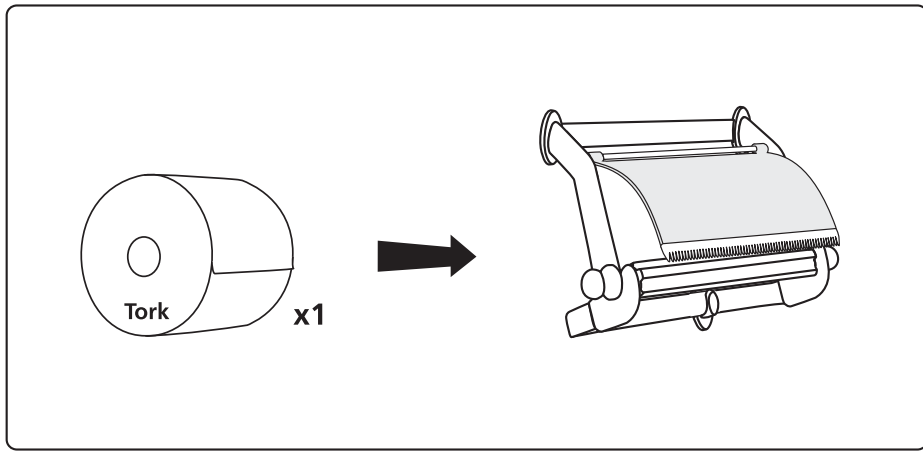


4.

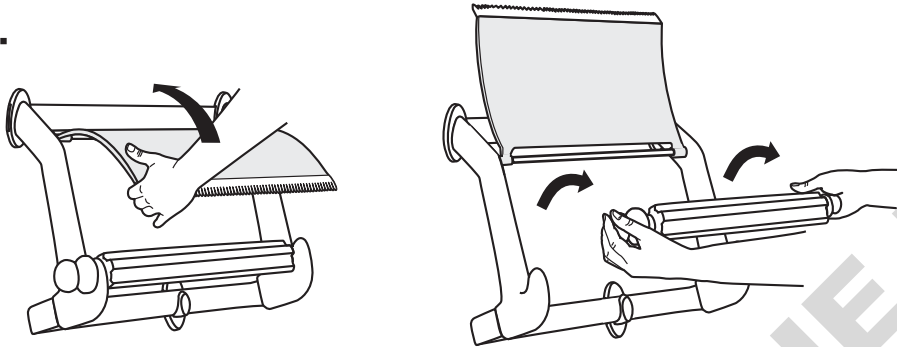


5.

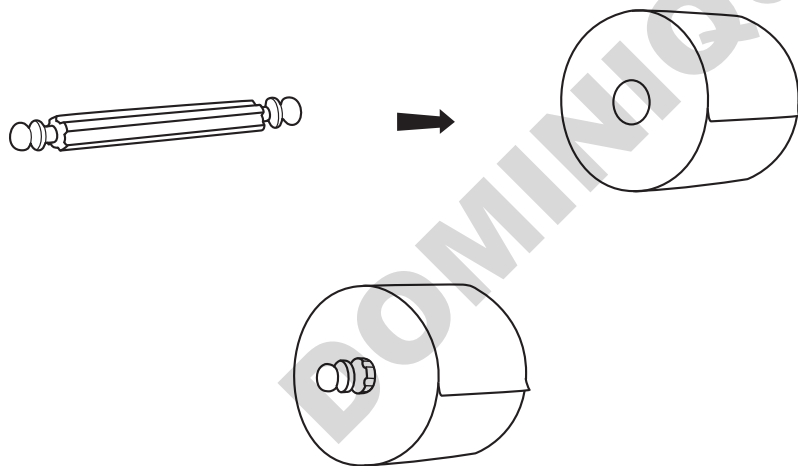




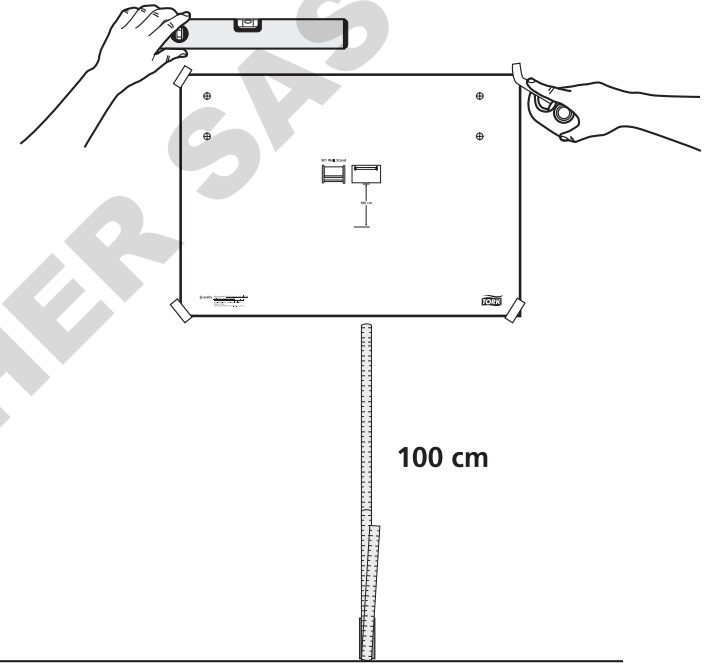
1.



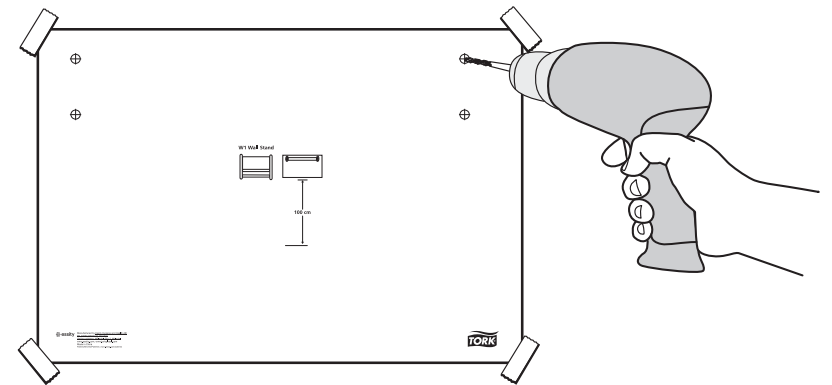
2.



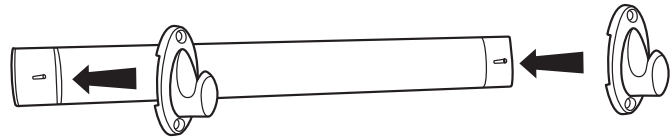
1.



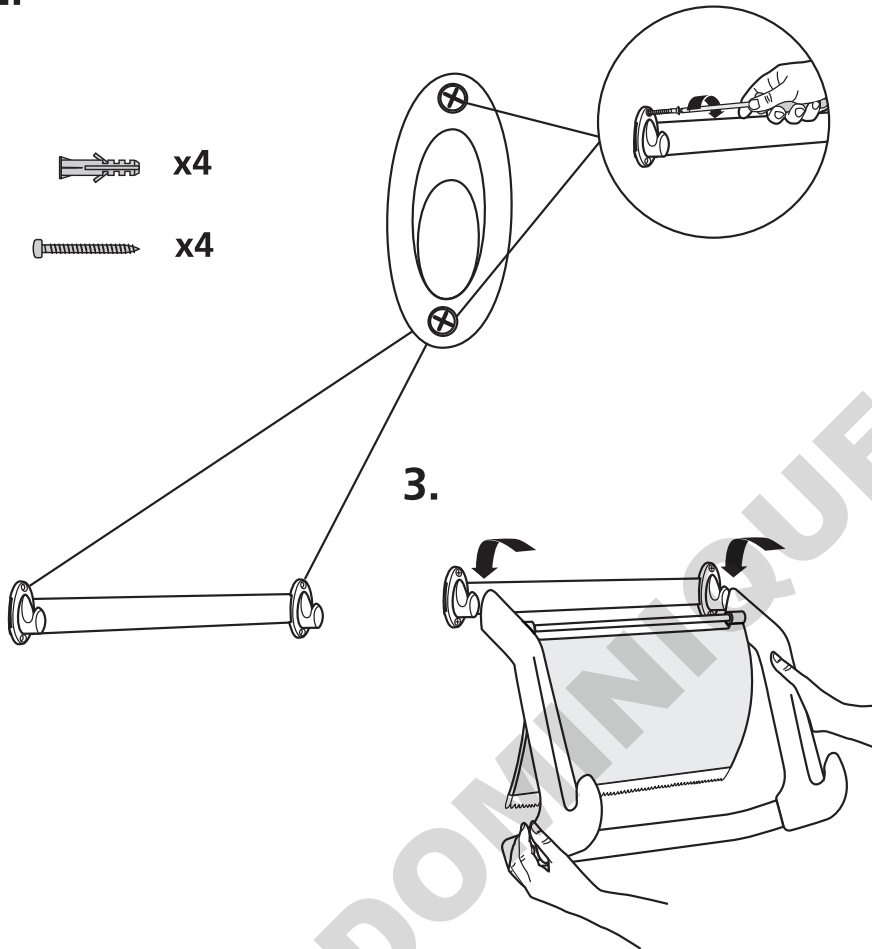
2.



1.

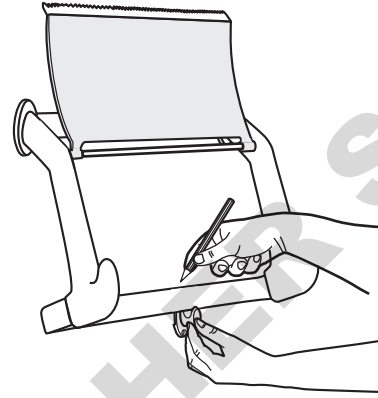


2.

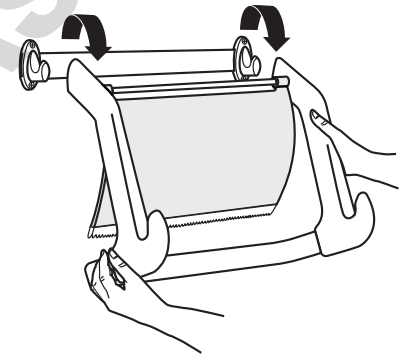


3.

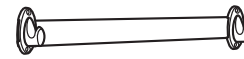
4.



5.



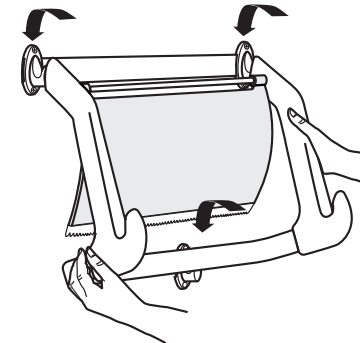
6.



7.



8.



9.

