

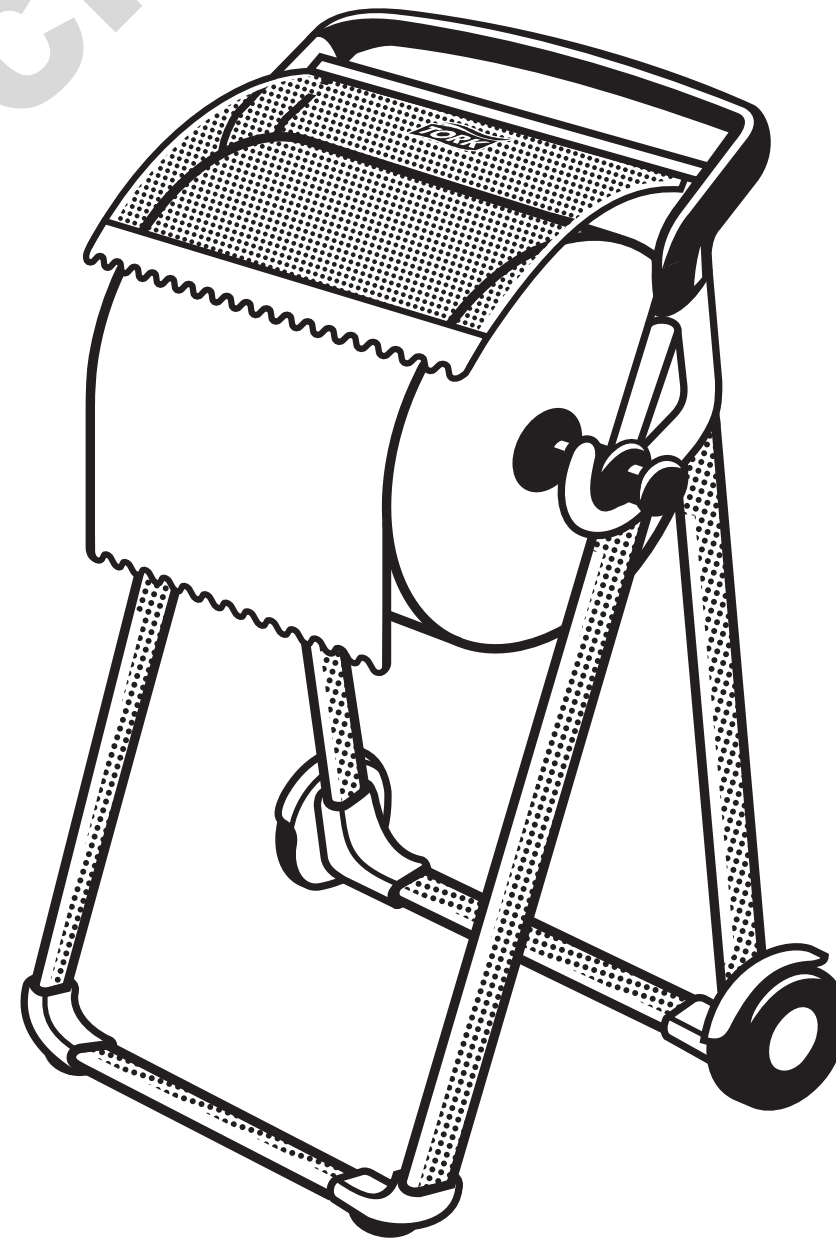
European Community Design Registration RCD 001149447

2012-12-05

Floor Stand

W1

Performance
Design

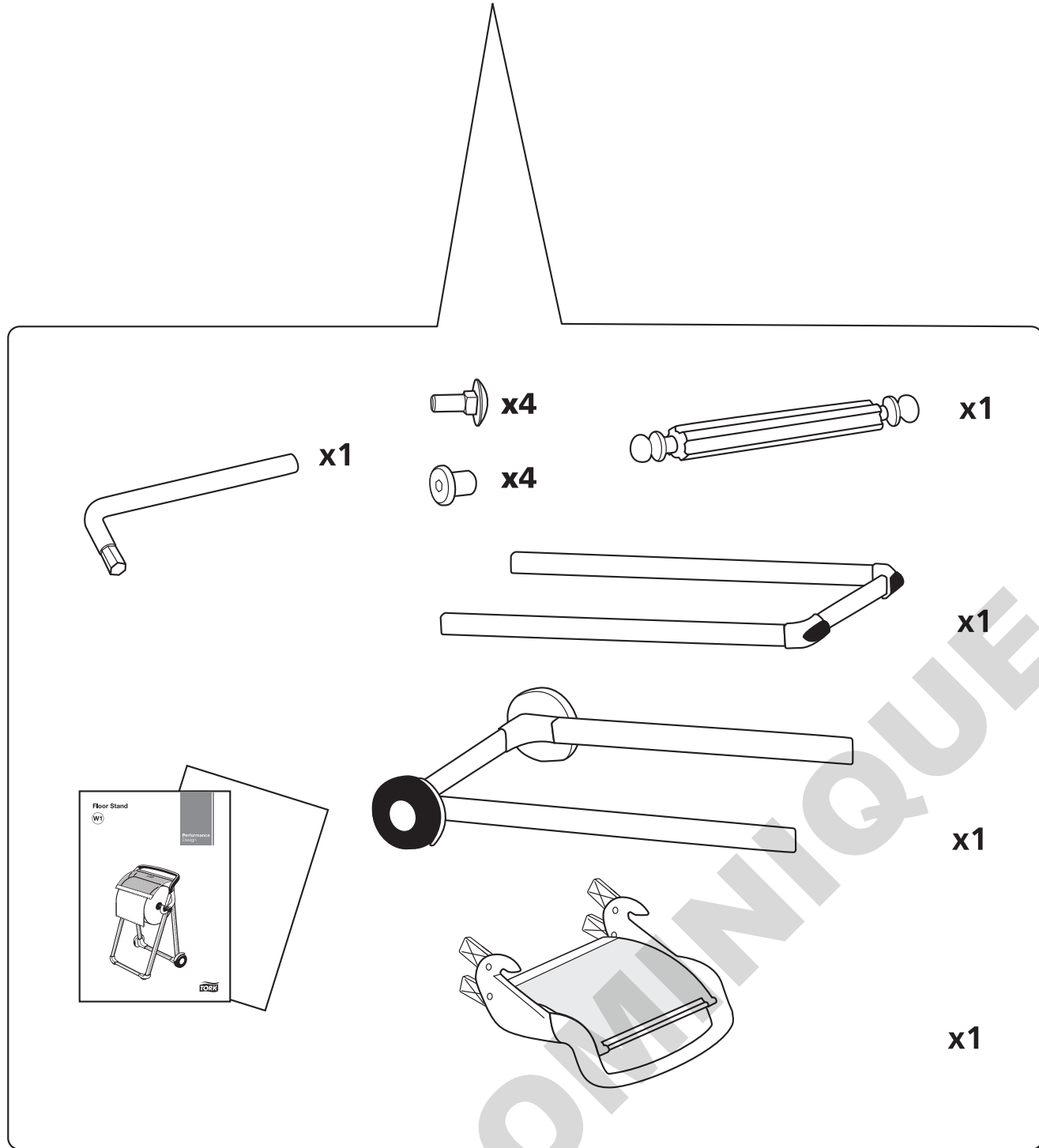
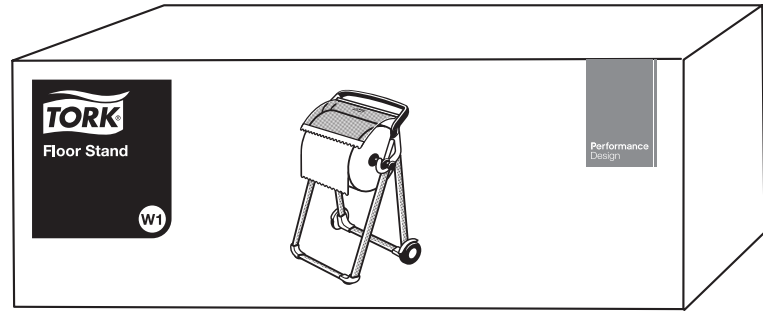


DOMINIQUE DUTSCHER SAS

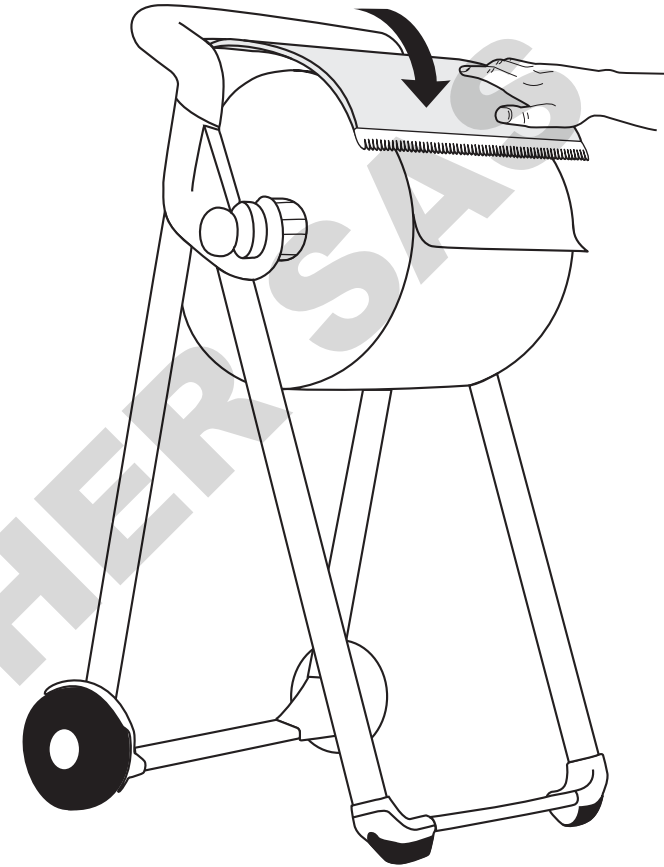


Manufactured by Essity Hygiene and Health AB
SE-40503 Göteborg, Sweden
Visiting address: Mölndals Bro 2, Mölndal
www.essity.com, www.torkglobal.com
Made in China
Patents/Brevets/Patentes: www.essity.com/patents

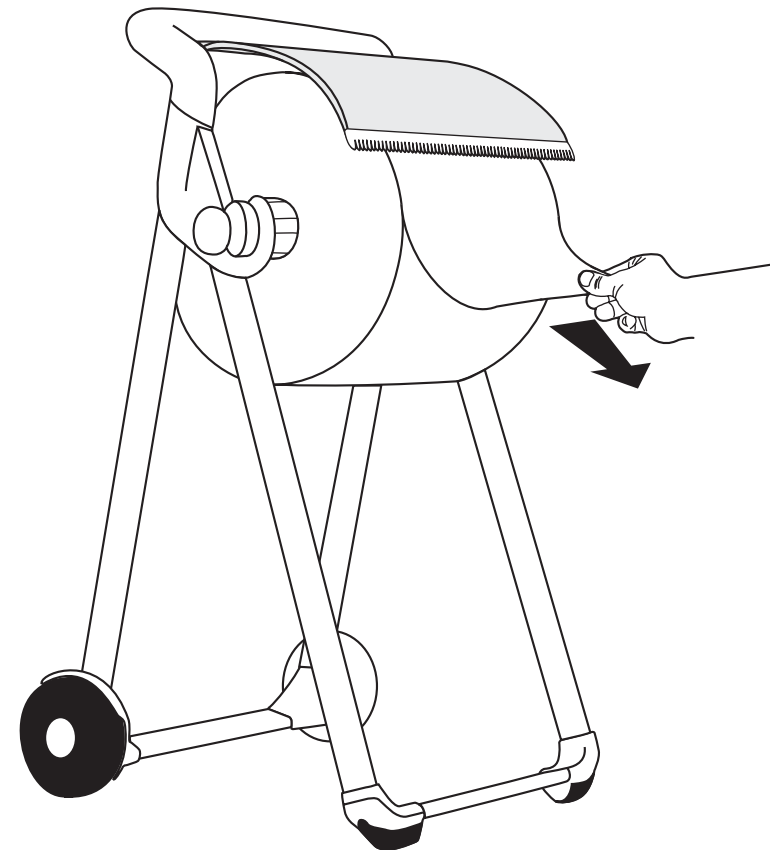




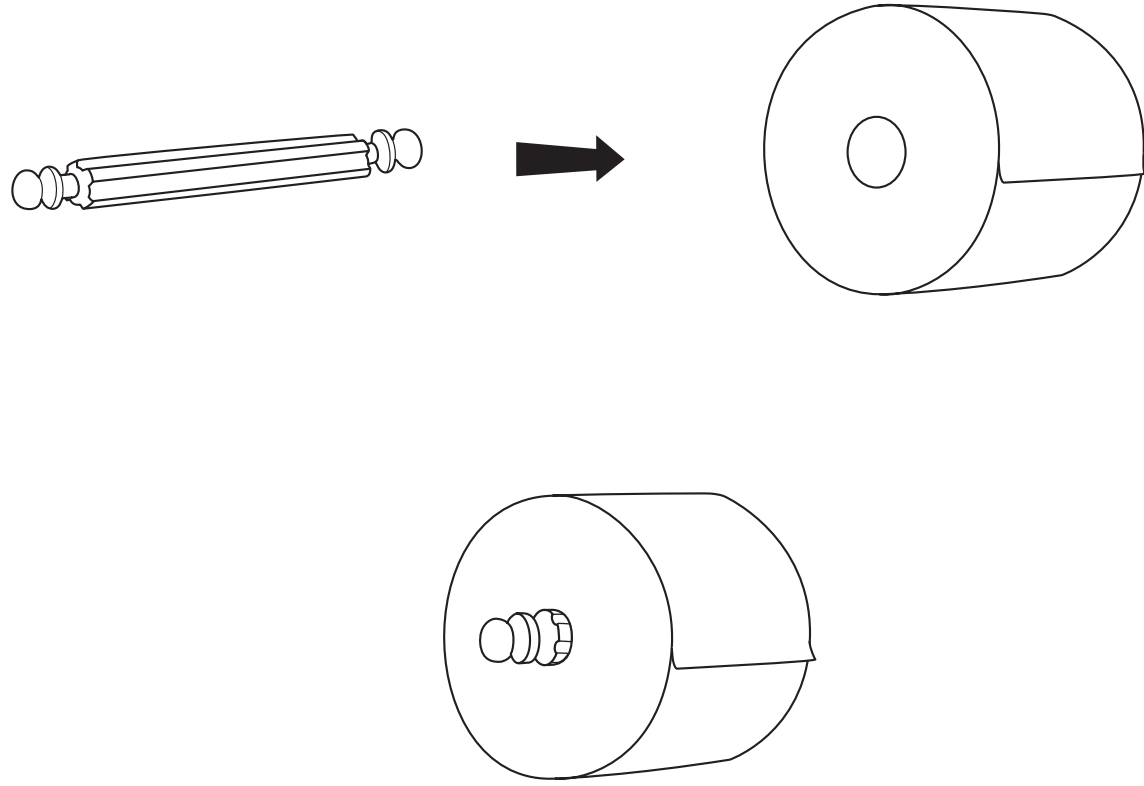
5.



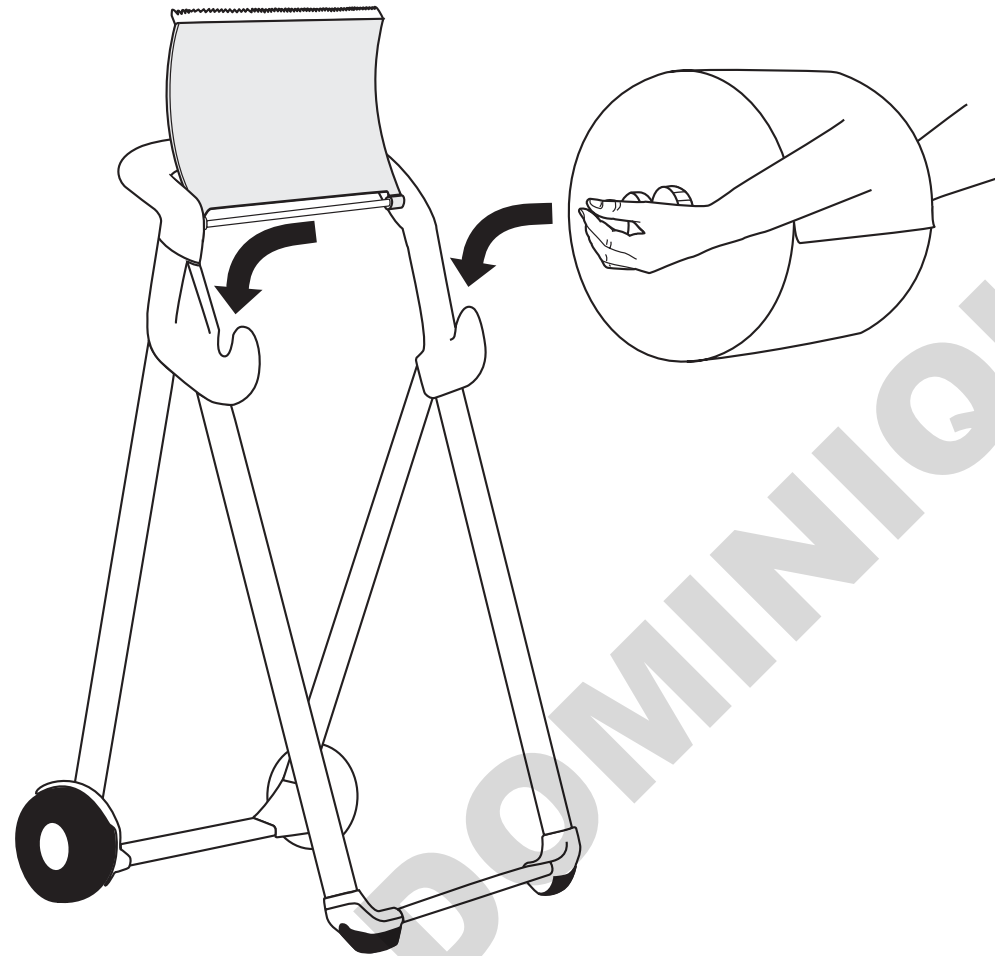
6.



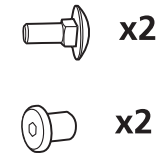
3.



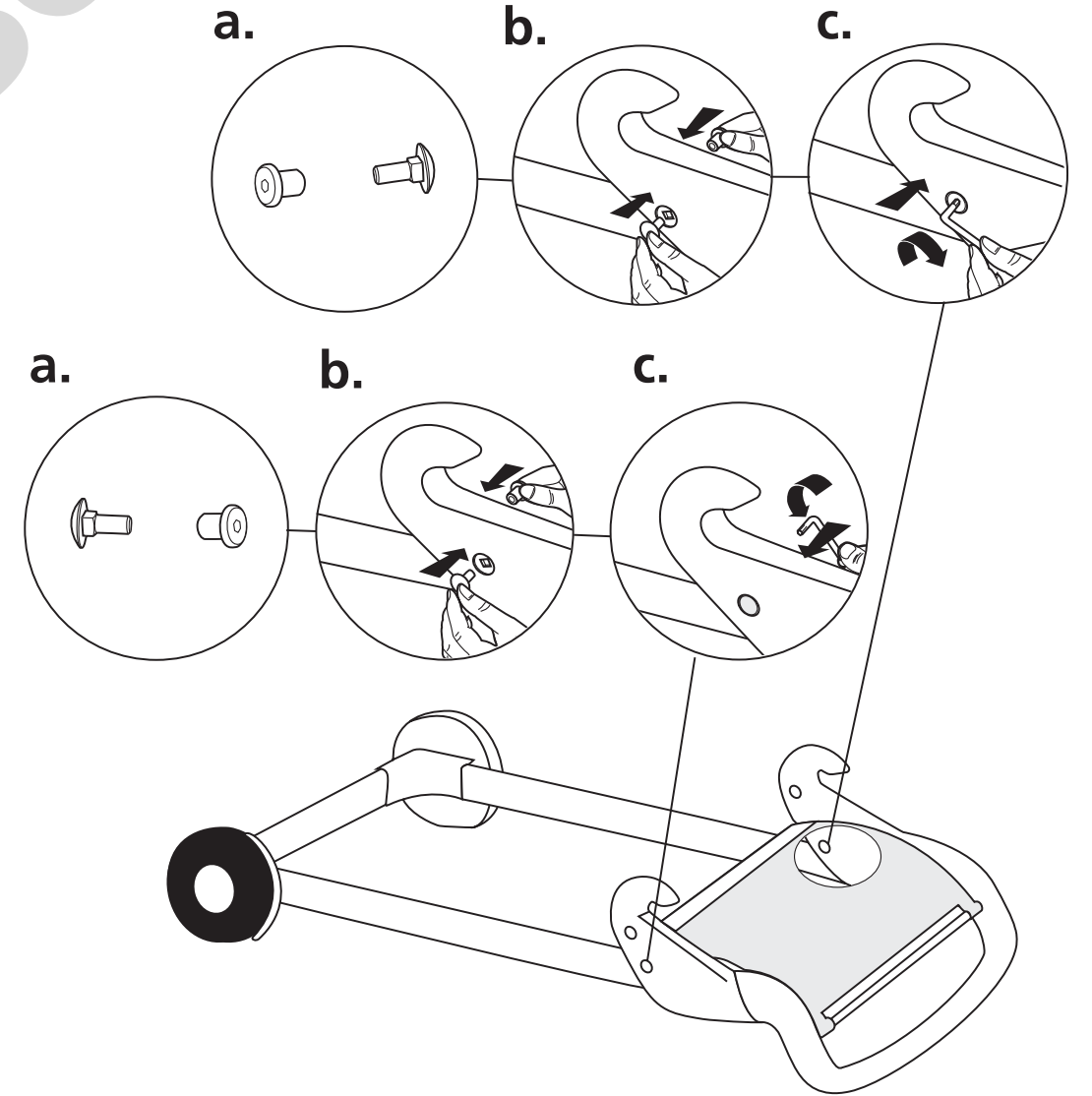
4.



1.



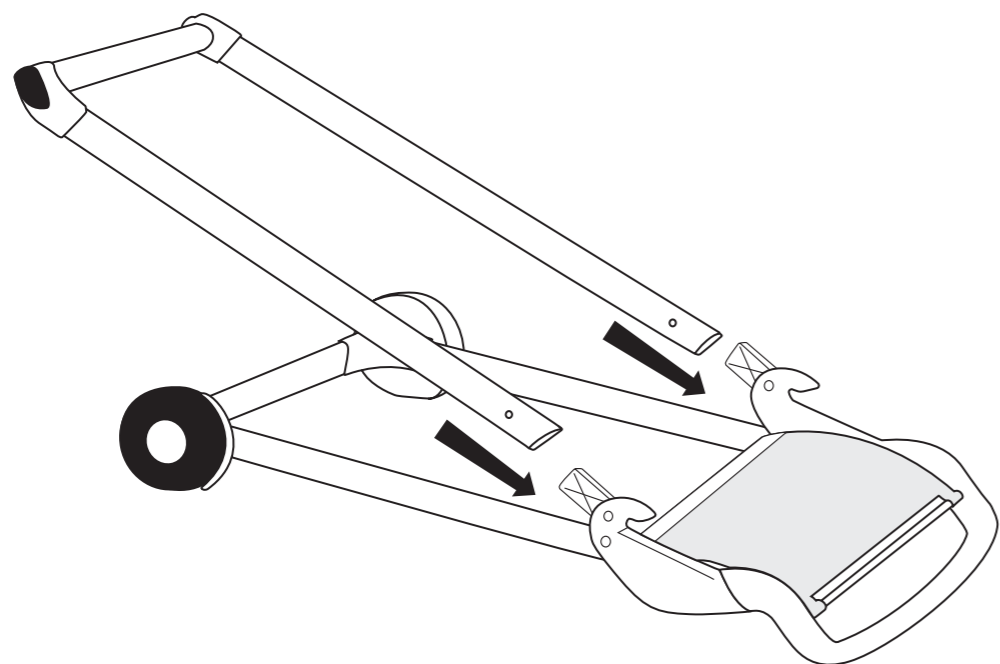
2.



3.

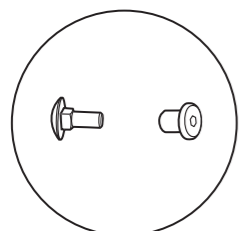
 x2

 x2



4.

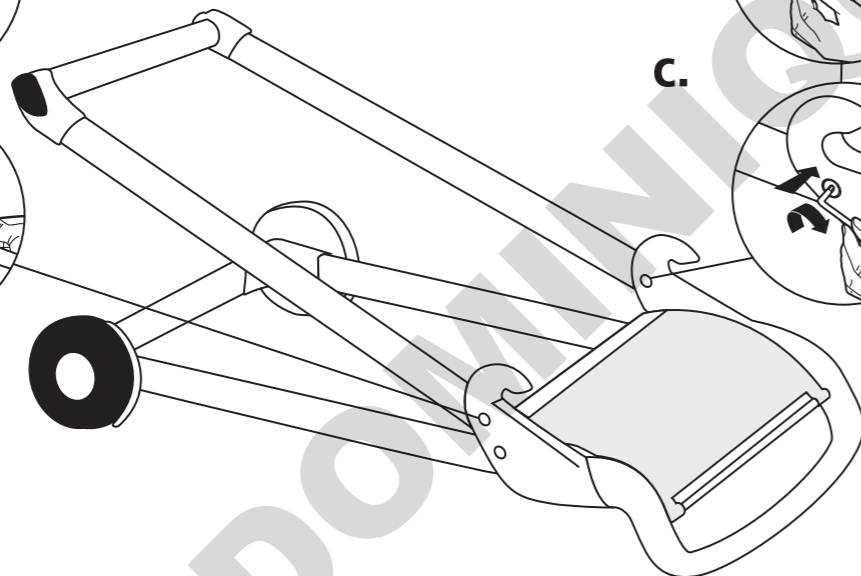
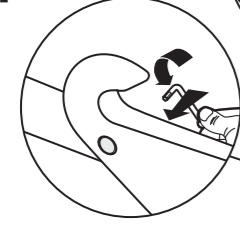
a.



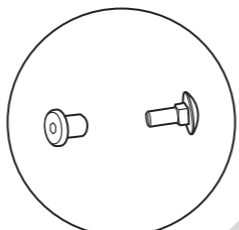
b.



c.



a.



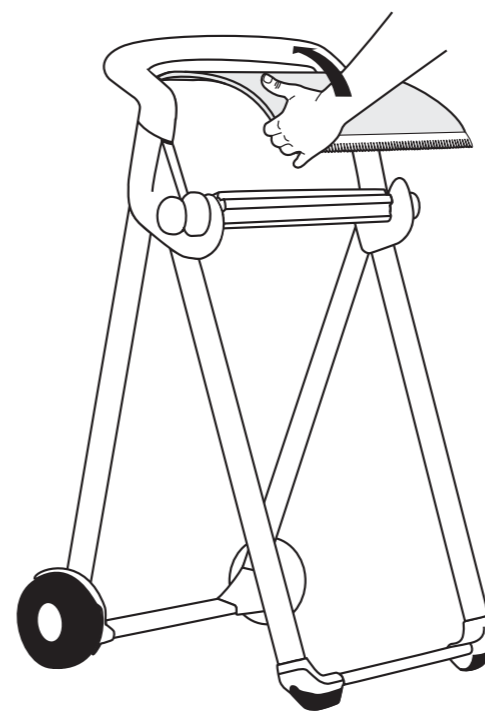
b.



c.



1.



2.

