

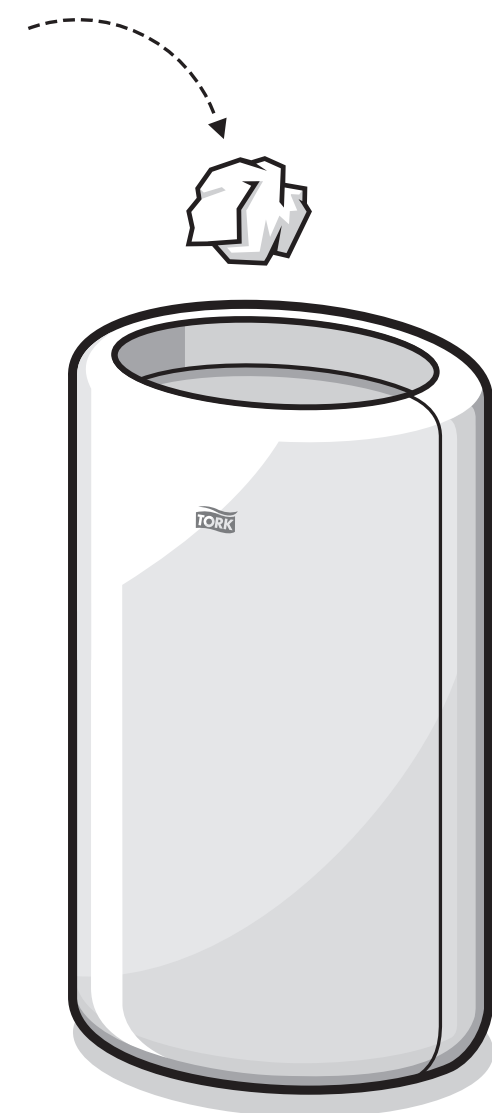
European Community Design Registration RCD 000929971

Bin
50 Litre

B1

Elevation
Design

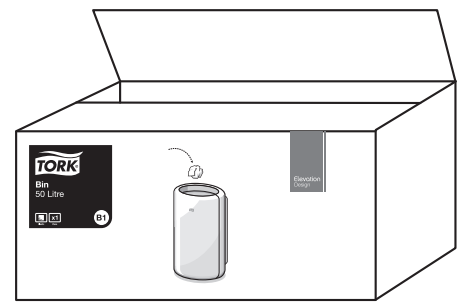
DOMINIQUE DUTSCHER SAS



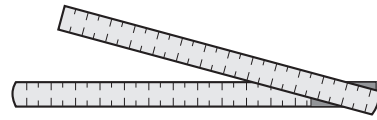
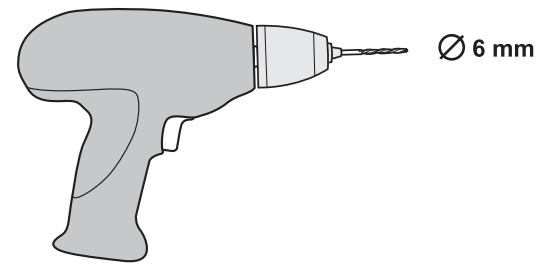
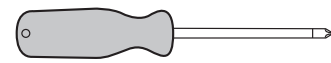
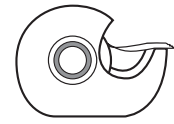
 **essity** Manufactured by Essity Hygiene and Health AB
SE-40503 Göteborg, Sweden
Visiting address: Mölndals Bro 2, Mölndal
www.essity.com, www.torkglobal.com
Made in Germany
Patents/Brevets/Patentes: www.essity.com/patents

www.torkglobal.com

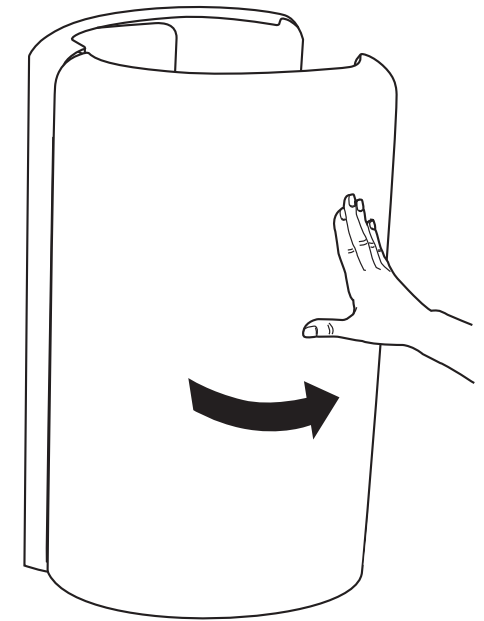




+



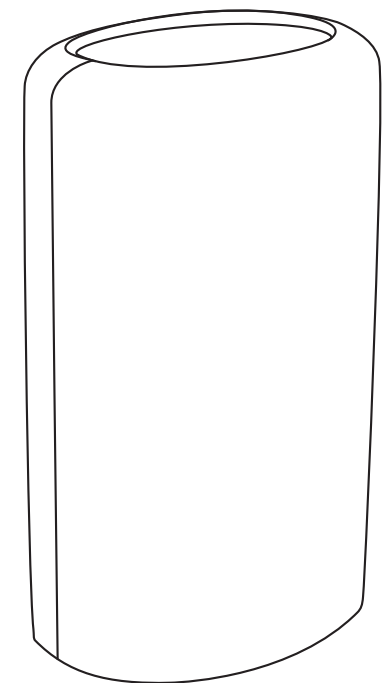
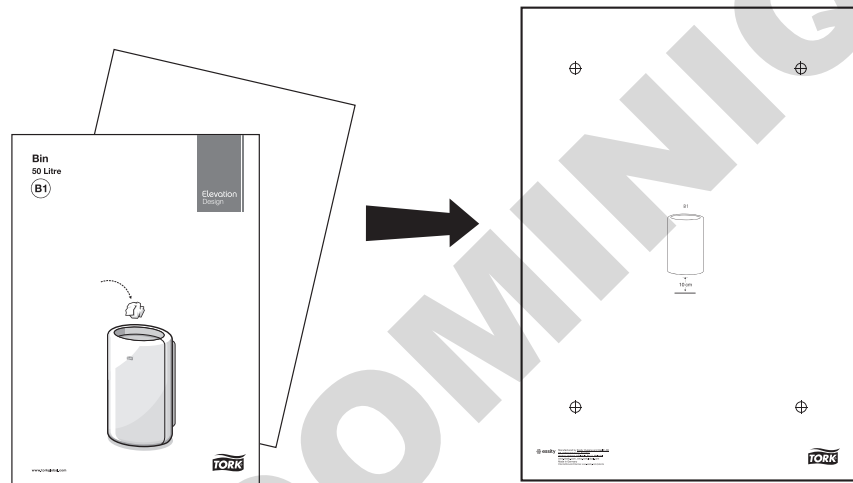
5.



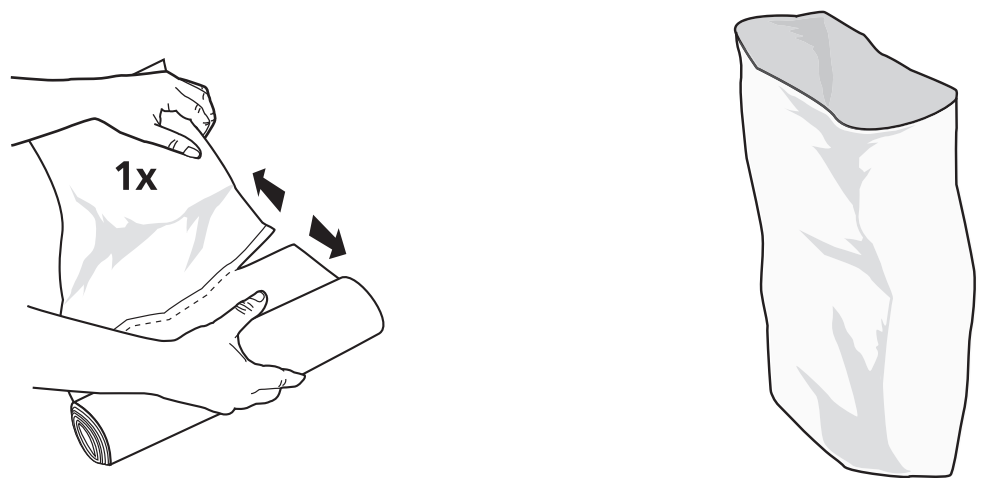
6.

 x 4

 x 4



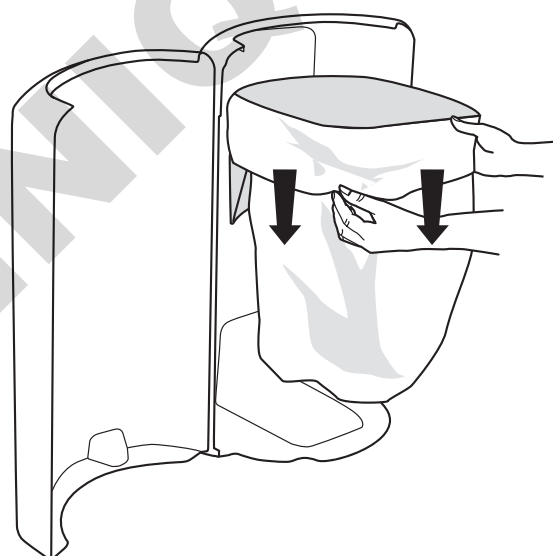
2.



3.

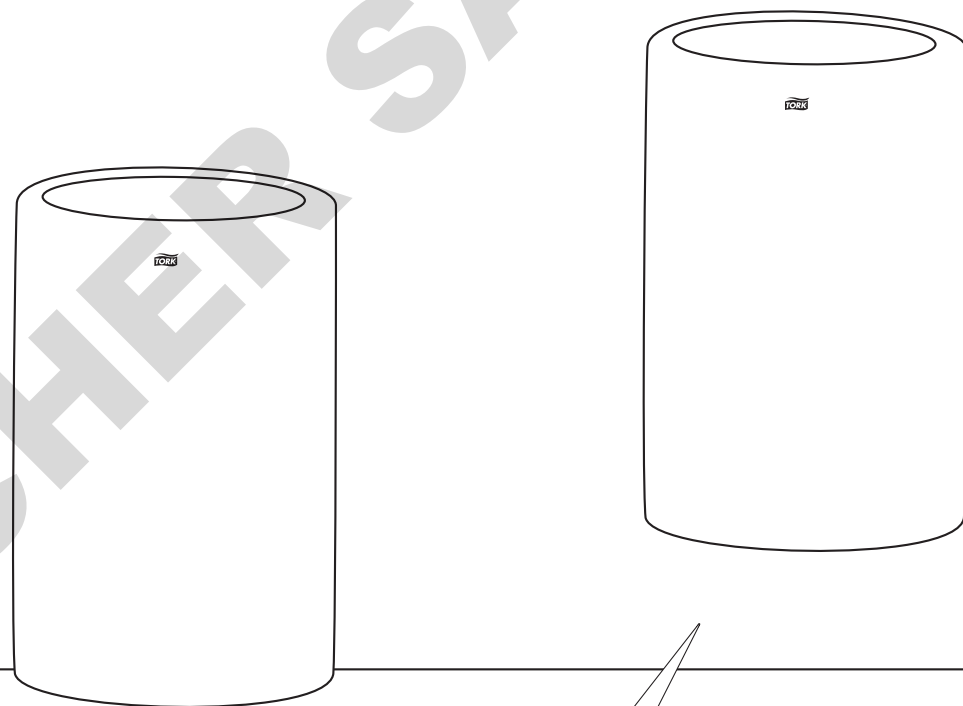


4.

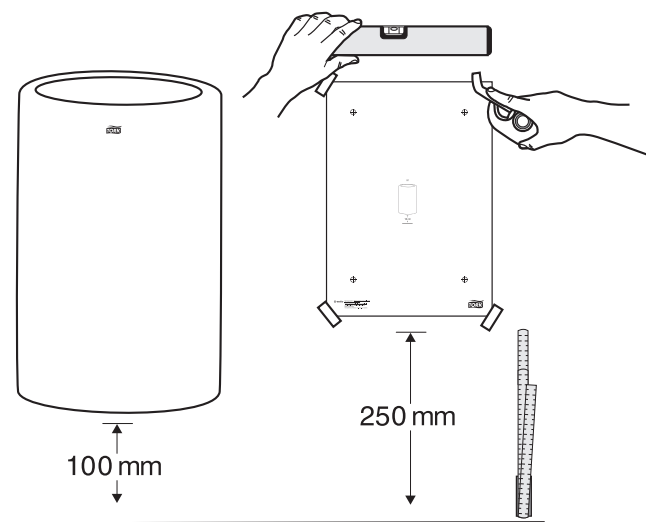


A

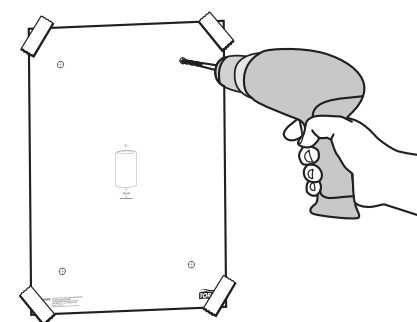
B



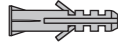

1.

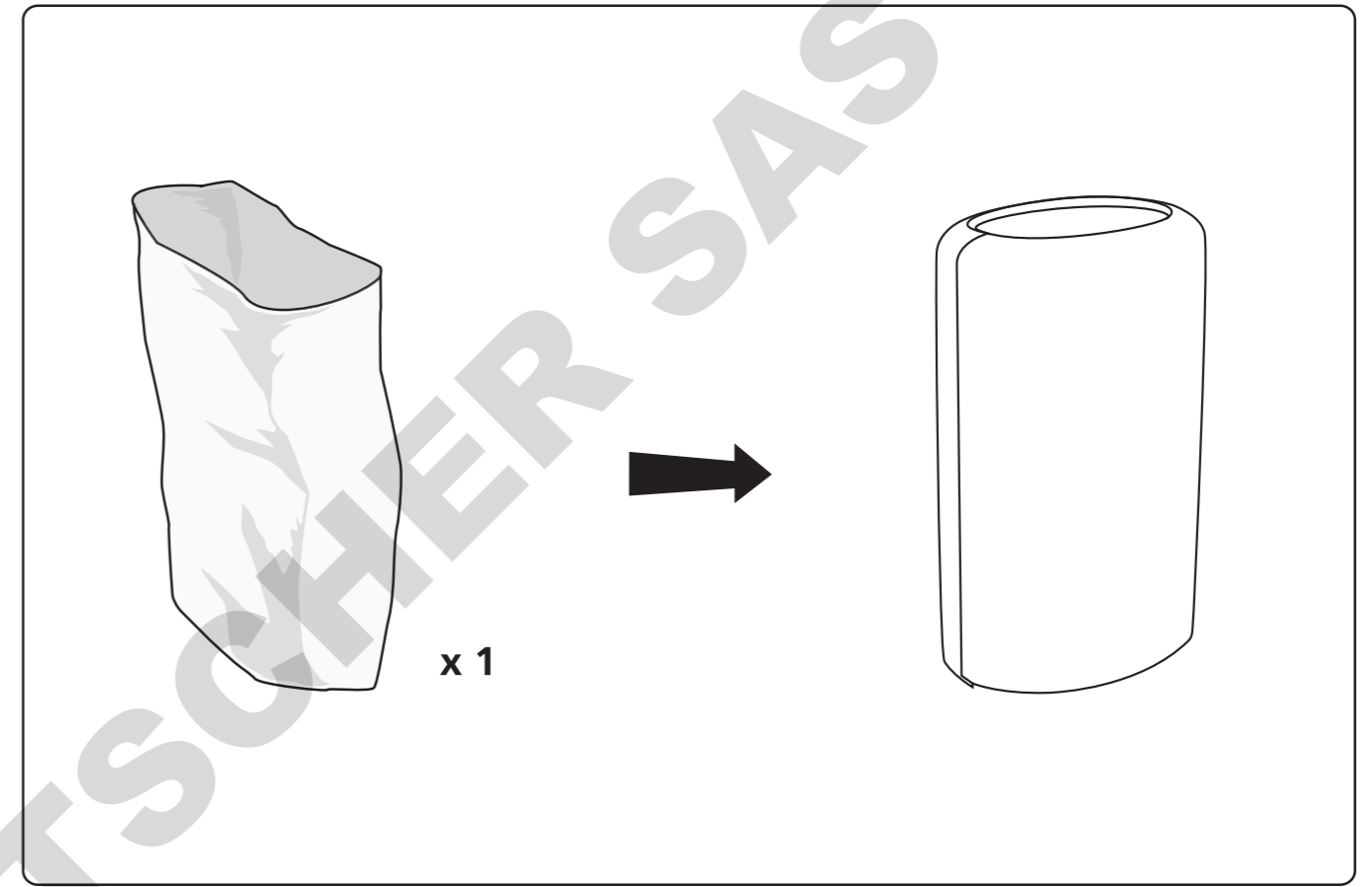
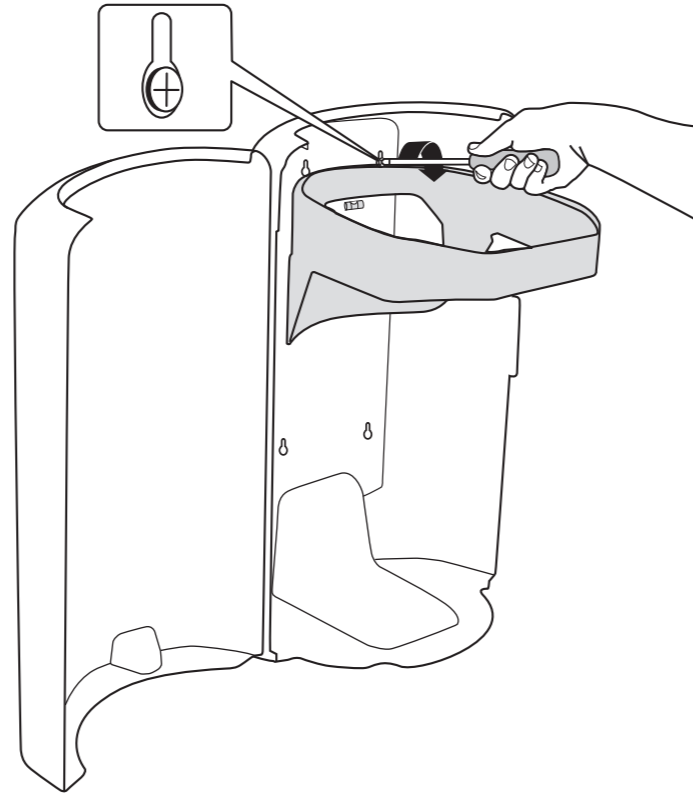


2.



3.

-  x 4
-  x 4



1.

4.

