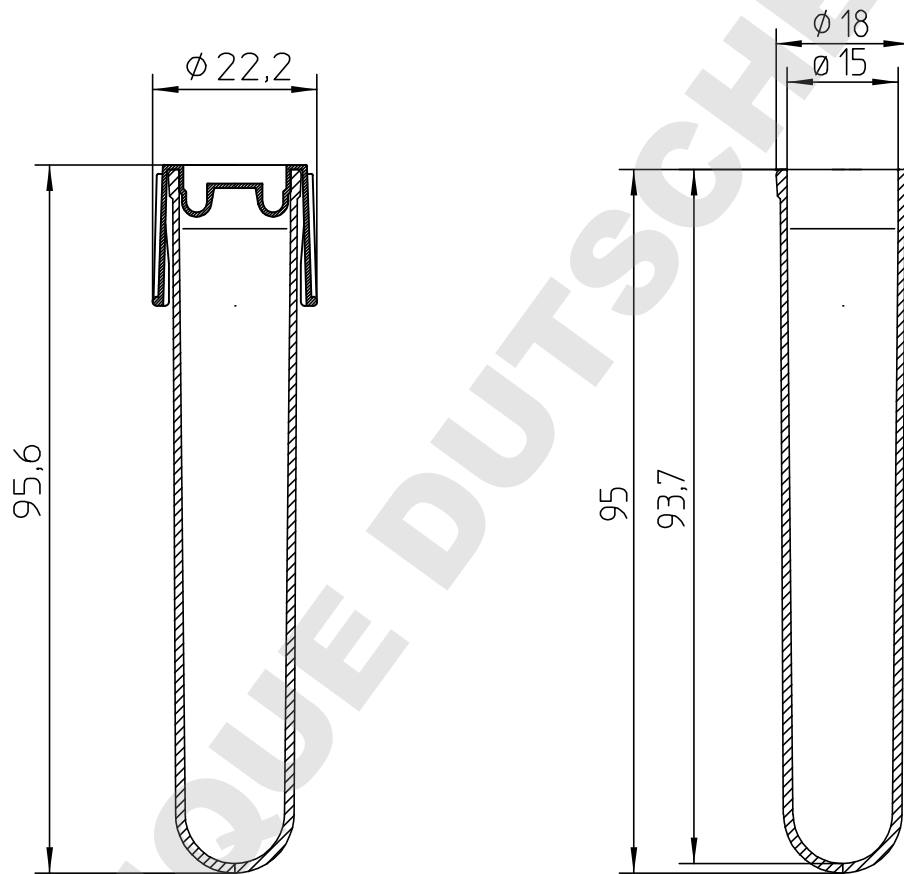


Valid for Item-No.: 191160, 191161, 191170, 191180



Only layout change, no design change of the product.
Prior drawing No. AC-1911xx/ Rev 01/ September 13, 2005

"All dimensions in mm"

Customer drawing subject to change without notice!

Uncontrolled Copy

| | | | | |
|-------------|--------------------|--------------------|--------------------|---|
| Prior Issue | Drawn | Approved | Released | <small>CONFIDENTIAL: Information contained in this document or drawing is confidential and proprietary to Greiner Bio-One GmbH. This document may not be reproduced for any reason without written permission from Greiner Bio-One GmbH. All rights of design, invention, and copyright are reserved.</small> |
| Revision | Date 2011/06/01 | Date 2011/06/01 | Date 2011/06/01 | |
| Date | Name falter | Name falter | Name sonntag | |