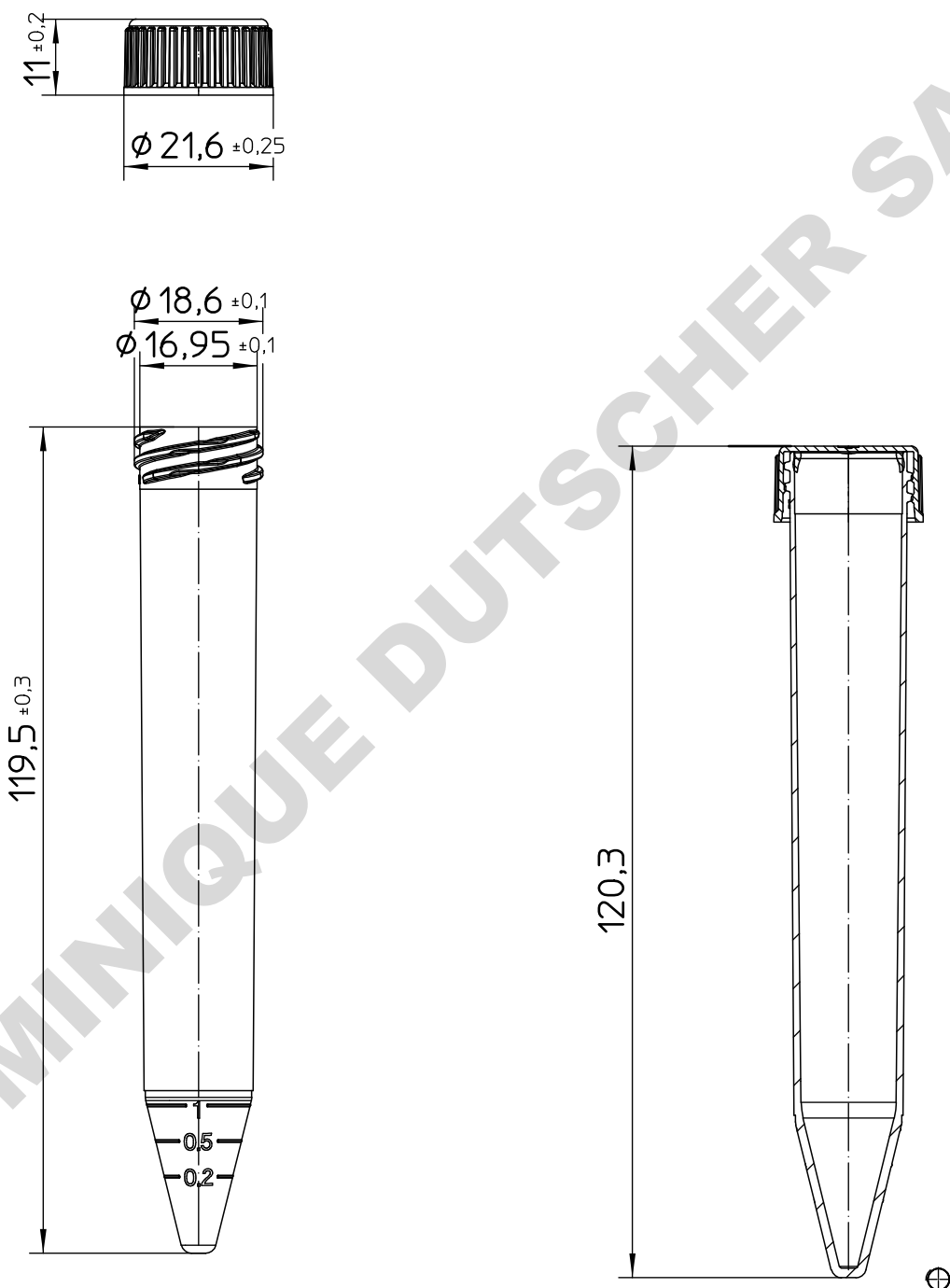


Valid for Item-No.: 188261-N, 188271-N



"All dimensions in mm"

Customer drawing subject to change without notice!

Uncontrolled Copy

Prior Issue	Drawn	Approved	Released	CONFIDENTIAL: Information contained in this document or drawing is confidential and proprietary to Greiner Bio-One GmbH. This document may not be reproduced for any reason without written permission from Greiner Bio-One GmbH. All rights of design, invention, and copyright are reserved.
Revision	Date	Date	Date	
2	2021/03/03	2021/09/23	2021/09/23	
Date	Name	Name	Name	
2021/03/18	forb	forb	kessler	