
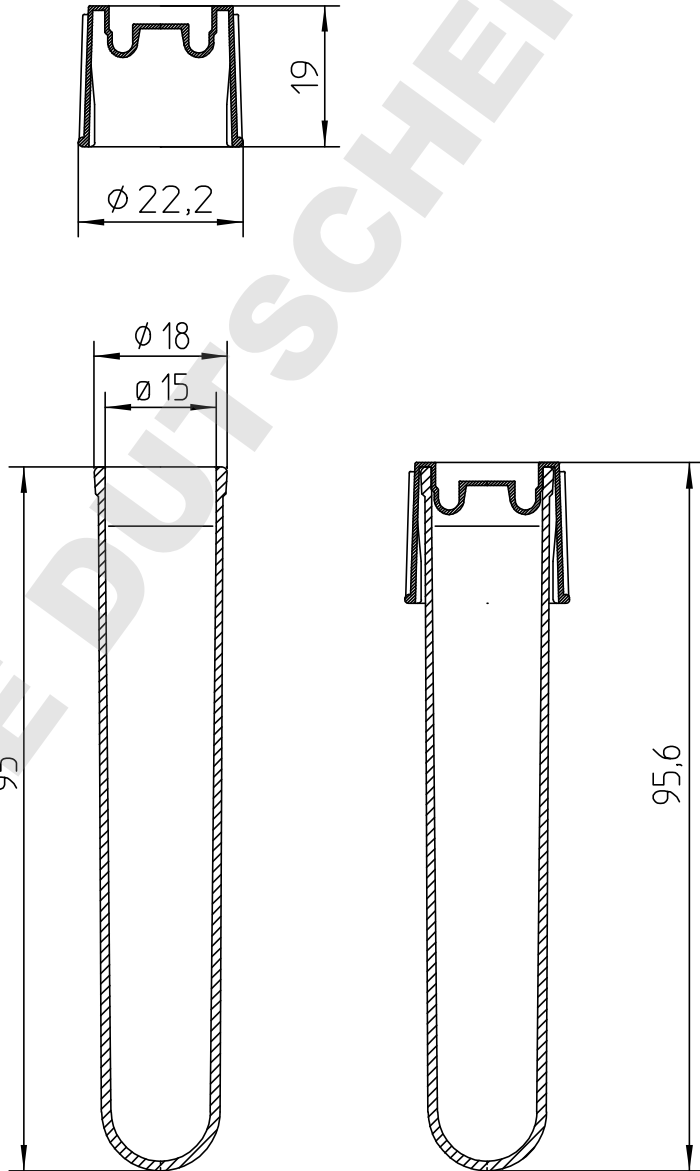


Page 1 of 1	CUSTOMER DRAWING	
Revision 2	Tube, 14ml, Round Bottom, Two-Position Vent Stopper	

Valid for Item-No.: 187261, 187262



"All dimensions in mm"

Customer drawing subject to change without notice!

Uncontrolled Copy

Prior Issue	Drawn	Approved	Released	<small>CONFIDENTIAL: Information contained in this document or drawing is confidential and proprietary to Greiner Bio-One GmbH. This document may not be reproduced for any reason without written permission from Greiner Bio-One GmbH. All rights of design, invention, and copyright are reserved.</small>
Revision 1	Date 2011/04/18	Date 2014/07/07	Date 2014/07/07	
Date 2011/04/18	Name falter	Name schwarzj	Name sonntag	