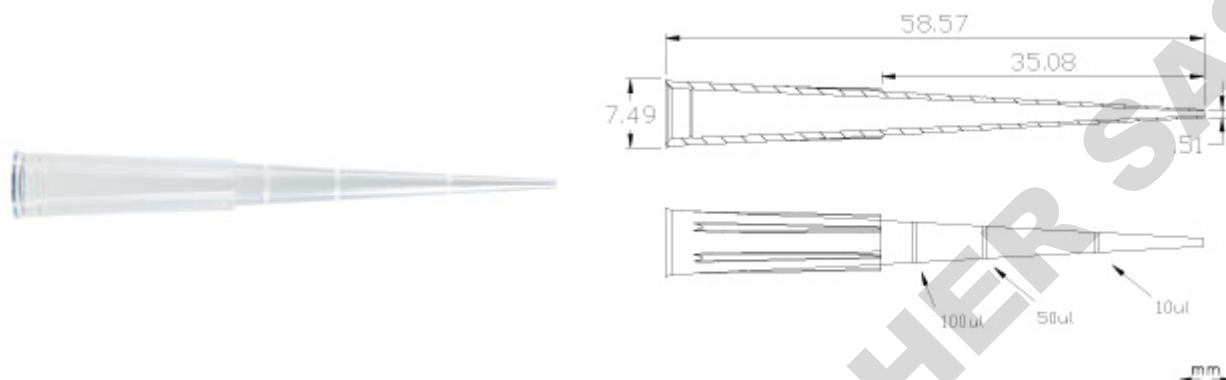


300 µl (1-300 µl) NX - Catalog #70530



Catalog #	Description
-----------	-------------

70530	Natural, Polypropylene
-------	------------------------

Packaging Type	Packaging Details
----------------	-------------------

Platinum Reload System	Non-Sterile, 96 Tips/Rack, 10 Decks/Pack, 4 Packs/Case, Platinum Reload
------------------------	---

Attributes
------------



Certified Human DNA Free  
 Certified PCR Inhibitor Free  
 Certified Pyrogen Free

**Volume Range:** 1-300 µl

**Grad Lines:** 10, 50, 100 µl