



sartorius

Secura[®]

Benefits

- Top Performance
- Intuitive Operation
- Ergonomic Draft Shield
- Automatic Internal Adjustment
- Real-Time Level Support



Product Information

Secura[®] gives you the security and peace of mind of knowing that you have done everything right. Besides providing highly accurate weighing results and operating convenience, Secura[®] also features built-in protection systems for complete reliability and regulatory compliance – the safe and secure way.

Real-time guidance prompts for leveling, automatic internal adjustment and 100% traceable, clear documentation with sample and batch identifiers make your lab work more efficient.

First, the new operating concept of Secura[®] will noticeably ease your daily workload during weighing and, second, its APC function – Advanced Pharma Compliance – will relieve you from tedious and time-consuming documentation and monitoring tasks.

Technical Specifications

AC Adapter	
Sartorius AC adaptor module 6971790 with interchangeable country-specific plug-in AC adaptors	
Primary	100–240 V~, –10% +10%, 50–60 Hz, 0.2 A
Secondary	15 V DC, ± 5%, 530 mA (max.) 8 Watt (max.): 0 to +40 °C and 15 V DC, ± 5%, 330 mA (max.) 5 Watt (max.): 0 to +50 °C
Other data	protection class II, in accordance with EN IEC 60950-1 up to 3000 m above sea level; IP40 as per EN IEC 60529

Balance	
Power supply	only via Sartorius AC adaptor module 6971790
Input voltage	12.0 ... 18.0 V DC
Power consumption	2.0 W (typically) 4.5 W (typically), only for 225D-1x, 125-1x and 324-1x

Ambient Conditions	
The specifications apply when the following ambient conditions are in place:	
Environment	for indoor use only
Ambient temperature*	+10 °C to +30 °C
Operational capacity	guaranteed between +5 °C and +45 °C
Storage and shipping	–10 °C to +60 °C
Elevation	up to 3000 m above sea level
Relative humidity**	15% to 80% for temperatures up to 31 °C; non-condensing, decreasing linearly to 50% relative humidity at 40 °C and 20% at 50 °C
Safety of electrical equipment	in accordance with EN 61010-1/ IEC 61010-1. Safety requirements for electrical equipment for mea- surement, control, and laboratory use – Part 1: General requirements
Electromagnetic compatibility	in accordance with EN 61326-1/ IEC 61326-1. Electrical equipment for measurement, control, and laboratory use – EMC requirements – Part 1: General requirements
Defined immunity to interference	Suitable for use in industrial areas
Interference emission	Class B (suitable for use in residential areas and areas that are connected to a low voltage network that also supplies residential buildings). The device can therefore be used in both areas.

Balances verified for use in legal metrology comply with the requirements of Council Directive 2009/23/EC, EN 45501:1992, and OIML R76:2006.

* For balances verified for use in legal metrology in accordance with EU requirements, refer to the information on the balance.

** For balances verified for use in legal metrology in accordance with EU requirements, the legal regulations apply.

Standard Equipment

APC Features	<ul style="list-style-type: none"> – Monitoring of compliance with the USP minimum sample weight limits – SQmin – Password protection of set-up settings – Fully automatic temperature- and time-controlled internal calibration and adjustment – isoCAL – Temporary blockage of data transfer to a printer or a computer when uncertain weighing results are detected, such as a result is below the USP minimum sample weight limit, the balance is not level or isoCAL calibration adjustment needs to be performed – Storage of all data of calibration procedures – Cal Audit Trail
--------------	---

Safety Level	Three configurable levels of security
Levelling	Intelligent, optoelectronic leveling sensor with alarm function and interactive user guidance for reliable leveling

Calibration	Internal calibration isoCAL, External calibration
-------------	---

Selectable weight units ¹⁾	Gram, kilogram, carat, pound, ounce, troy ounce, Hong Kong tael, Singapore tael, Taiwan tael, grain, pennyweights, milligram, parts per pound, China tael, mommes, Austrian carat, tola, baht, mesghal and Newton
---------------------------------------	---

Interface	mini USB <ul style="list-style-type: none"> – Automatic recognition of Sartorius printer models YDP30 or YDP40 – Direct data transfer to Microsoft® Windows programs – Programmable interval for data output – Data transfer protocols SBI, xBPI, table format, text format
-----------	---

Display	Touch screen with Sartorius graphical user interface
---------	--

Standard Equipment

Standard built-in applications	Weighing, Density, Percentage, Checkweighing, Peak Hold, Counting, Unstable Conditions Animal weighing
Special built-in lab applications	Mixing, Components, Statistics, Conversion
Languages	English, French, German, Hungarian, Italian, Polish, Portuguese, Russian, Spanish, Turkish, Chinese, Japanese, Korean
Protection	<ul style="list-style-type: none"> – Chemical resistant finish of the top housing – Glass parts of the draft shield are coated to reduce electrostatic influences – In-use cover – Dust cover for balances with draft shield
Anti-theft lock	Kensington lock and lockdown capability for cable or chain

¹⁾ Limited for verified models



Standard Models

Model		26-1x ¹⁾	225D-1x ¹⁾	125-1x ¹⁾	324-1x ¹⁾
Design		1	2	2	2
Weighing capacity	g	21	60 120 220	60 120	320
Readability	mg	0.002	0.01 0.01 0.1	0.01 0.01	0.1
Repeatability (standard deviation)	mg	0.004	0.03 0.04 0.07	0.03 0.04	0.1
Repeatability (standard deviation), typical	mg	0.003	0.02 0.04 0.07	0.02 0.04	0.1
Linearity deviation	mg	0.01	0.1 0.1 0.2	0.1 0.1	0.3
Typical starting point of the operating range ²⁾	mg	4	25**	25**	160
Optimal starting point of the operating range ²⁾	mg	1.64*	8.2**	8.2**	82
Sensitivity drift between +10 °C and +30 °C	± ppm/K	1	1	1	1
Typical stabilization time	s	8	6 6 2	6 6	2
isoCAL:					
– Temperature change	K	1.5	1.5	1.5	1.5
– Time interval	h	4	4	4	4
Display result (depending on the set filter level)	s	0.2 0.4	0.2 0.4	0.2 0.4	0.2 0.2
Weighing pan size	mm	Ø 50	Ø 80 (optional Ø 90)	Ø 80 (optional Ø 90)	Ø 90
Weighing chamber height***	mm	218	218	218	218
Net weight, approx.	kg	8.0	7.8	7.8	7.9
IP protection class		IP43	IP43	IP43	IP43



Design 1

Design 2

Design 3

Design 4

Design 5

* In combination with glass draft shield YHK01SQP

** In combination with weighing pan, 80 mm, slotted YSP01SQP

*** Upper edge of the weighing pan to the lower edge of the upper draft shield panel

¹⁾ Possible terms for country-specific models:

x = S: Standard balances without country-specific additions

x = SAR: Standard balances with country-specific additions for Argentina

x = SJP: Standard balances with country-specific additions for Japan

x = SKR: Standard balances with country-specific additions for South Korea

²⁾ According to USP (United States Pharmacopeia) Chapter 41, the optimal operating range is defined from 820d to maximum weighing capacity. Depending on the installation location and environmental conditions, the value could be higher.

Model		224-1x ¹⁾	124-1x ¹⁾	1103-1x ¹⁾	613-1x ¹⁾	513-1x ¹⁾	313-1x ¹⁾	213-1x ¹⁾	6102-1x ¹⁾
Design		3	3	4	4	4	4	4	5
Weighing capacity	g	220	120	1,100	610	510	310	210	6,100
Readability	mg	0.1	0.1	1	1	1	1	1	10
Repeatability (standard deviation)	mg	0.1	0.1	1	1	1	1	1	10
Linearity	mg	0.2	0.2	2	2	2	2	2	20
Typical starting point of the operating range ²⁾	g	0.12	0.12	1.5	1.5	1.5	1.5	1.5	12
Optimal starting point of the operating range ²⁾	g	0.082	0.082	0.82	0.82	0.82	0.82	0.82	8.2
Sensitivity drift between +10 to +30°C	± ppm/K	1.5	1.5	1.5	2	2	2	2	2
Typical stabilization time	s	2	2	1.5	1	1	1	1	1
isoCAL Settings:									
– temperature change	K	1.5	1.5	1.5	2	2	2	2	2
– time interval	h	4	4	4	6	6	6	6	6
Display result (depending on the filter level)	s	0.2	0.2	0.1 0.2	0.1 0.2	0.1 0.2	0.1 0.2	0.1 0.2	0.1 0.2
Weighing pan size	mm	∅ 90	∅ 90	∅ 120	∅ 120	∅ 120	∅ 120	∅ 120	∅ 180
Weighing chamber height***	mm	209	209	209	209	209	209	209	–
Net weight, approx.	kg	5.1	5.1	5.9	5.1	5.1	5.1	5.1	5.2

Model		5102-1x ¹⁾	3102-1x ¹⁾	2102-1x ¹⁾	1102-1x ¹⁾	612-1x ¹⁾	6101-1x ¹⁾	3101-1x ¹⁾
Design		5	5	5	5	5	5	5
Weighing capacity	g	5,100	3,100	2,100	1,100	610	6,100	3,100
Readability	mg	10	10	10	10	10	100	100
Repeatability (standard deviation)	mg	10	10	10	10	10	50	50
Linearity	mg	20	20	20	20	20	100	100
Typical starting point of the operating range ²⁾	g	12	12	12	12	12	82	82
Optimal starting point of the operating range ²⁾	g	8.2	8.2	8.2	8.2	8.2	82	82
Sensitivity drift between +10 to +30°C	± ppm/K	2	2	2	2	2	2	2
Typical stabilization time	s	1	1	1	1	1	1	1
isoCAL Settings:								
– temperature change	K	2	2	2	2	2	2	2
– time interval	h	6	6	6	6	6	6	6
Display result (depending on the filter level)	s	0.1 0.2	0.1 0.2	0.1 0.2	0.1 0.2	0.1 0.2	0.1 0.2	0.1 0.2
Weighing pan size	mm	∅ 180	∅ 180	∅ 180	∅ 180	∅ 180	∅ 180	∅ 180
Net weight, approx.	kg	5.2	5.2	5.2	5.2	5.2	5.2	5.2

Verified Models with Country-specific Type Approval Certificate

Model		26-1x ²⁾	225D-1x ²⁾	125-1x ²⁾	324-1x ²⁾
Design		1	2	2	2
Accuracy class		Ⓢ	Ⓢ	Ⓢ	Ⓢ
Type ³⁾		SQP-H	SQP-F	SQP-F	SQP-G
Max	g	21	120 220	120	320
Scale interval d	g	0.000002	0.00001 0.0001	0.00001	0.0001
Verification scale interval e	g	0.001	0.001	0.001	0.001
Min	g	0.001	0.001	0.001	0.01
Min (only for Models ...-10IN)	g	0.1	0.1	0.1	0.1
Tare equalization range (subtractive)		<100 % of the max. weighing capacity			
Typical starting point of the operating range ⁴⁾	g	0.004	0.025**	0.025**	0.160
Optimal starting point of the operating range ⁴⁾	g	0.00164*	0.0082**	0.0082**	0.082
Typical stabilization time	s	8	6 2	6	2
isoCAL:					
– Temperature change	K	1.5	1.5	1.5	1.5
– Time interval	h	4	4	4	4
Display result (depending on the set filter level)	s	0.2 0.4	0.2 0.4	0.2 0.4	0.2 0.2
Weighing pan size	mm	∅ 50	∅ 80 (optional ∅ 90)	∅ 80 (optional ∅ 90)	∅ 90
Weighing chamber height***	mm	218	218	218	218
Net weight, approx.	kg	8.0	7.8	7.8	7.9
IP protection class		IP43	IP43	IP43	IP43

* In combination with glass draft shield YHK01SQP

** In combination with weighing pan, 80 mm, slotted YSP01SQP

*** Upper edge of the weighing pan to the lower edge of the upper draft shield panel

²⁾ Possible terms for country-specific models:

x = CEU: Verified balances with EC Type Approval Certificate D12-09-014 (for EU except France, Italy, and Switzerland)

x = CFR: Verified balances with EC Type Approval Certificate D12-09-014 for France only

x = CIT: Verified balances with EC Type Approval Certificate D12-09-014 for Italy only

x = CCH: Verified balances with EC Type Approval Certificate D12-09-014 for Switzerland only

x = CN: CMC Type Approval Certificate for China

x = OJP: Balance with Type Approval Certificate for Japan

x = OBR: Balance with Type Approval Certificate for Brazil

x = ORU: Balance with Type Approval Certificate for Russia

x = OIN: Balance with Type Approval Certificate for India

x = OAU: Balance with Type Approval Certificate for Australia

³⁾ All models with "...CN": type "SQP"

⁴⁾ According to USP (United States Pharmacopeia) Chapter 41, the optimal operating range is defined from 820d to maximum weighing capacity. Depending on the installation location and environmental conditions, the value could be higher.

Model		224-1x ²⁾	124-1x ²⁾	1103-1x ²⁾	613-1x ²⁾	513-1x ²⁾	313-1x ²⁾	213-1x ²⁾
Design		3	3	4	4	4	4	4
Accuracy class		Ⓘ	Ⓘ	Ⓘ	Ⓜ	Ⓜ	Ⓜ	Ⓜ
Type ³⁾		SQP-A	SQP-A	SQP-I	SQP-B	SQP-B	SQP-B	SQP-B
Max	g	220	120	1,100	610	510	310	210
Scale interval d	mg	0.1	0.1	1	1	1	1	1
Verification scale interval e	mg	1	1	10	10	10	10	10
Min	mg	10	10	100	20	20	20	20
Min	mg	100	100	1,000	200	200	200	200
(only for Models ...-10IN)								
Tare (subtractive)		< 100% of max. weighing capacity						
Typical starting point of the operating range ⁴⁾	g	0.12	0.12	1.5	1.5	1.5	1.5	1.5
Optimal starting point of the operating range ⁴⁾	g	0.082	0.082	0.82	0.82	0.82	0.82	0.82
Typical stabilization time	s	2	2	1.5	1	1	1	1
isoCAL:								
- Temperature change	K	1.5	1.5	1.5	2	2	2	2
- Time interval	h	4	4	4	6	6	6	6
Display result (depending on the set filter level)	s	0.2	0.2	0.1 0.2	0.1 0.2	0.1 0.2	0.1 0.2	0.1 0.2
Weighing pan size	mm	∅ 90	∅ 90	∅ 120	∅ 120	∅ 120	∅ 120	∅ 120
Weighing chamber height***	mm	209	209	209	209	209	209	209
Net weight, approx.	kg	5.1	5.1	5.9	5.1	5.1	5.1	5.1

Model		6102-1x ²⁾	5102-1x ²⁾	3102-1x ²⁾	2102-1x ²⁾	1102-1x ²⁾	612-1x ²⁾	6101-1x ²⁾	3101-1x ²⁾
Design		5	5	5	5	5	5	5	5
Accuracy class		Ⓜ	Ⓜ	Ⓜ	Ⓜ	Ⓜ	Ⓜ	Ⓜ	Ⓜ
Type ³⁾		SQP-C	SQP-C	SQP-C	SQP-C	SQP-C	SQP-C	SQP-C	SQP-C
Max	g	6,100	5,100	3,100	2,100	1,100	610	6,100	3,100
Scale interval d	mg	10	10	10	10	10	10	100	100
Verification scale interval e	mg	100	100	100	100	100	100	100	100
Min	mg	500	500	500	500	500	500	5,000	5,000
Min	g	5	5	5	5	5	5	5	5
(only for Models ...-10IN)									
Tare (subtractive)		< 100% of max. weighing capacity							
Typical starting point of the operating range ⁴⁾	g	12	12	12	12	12	12	82	82
Optimal starting point of the operating range ⁴⁾	g	8.2	8.2	8.2	8.2	8.2	8.2	82	82
Typical stabilization time	s	1	1	1	1	1	1	1	1
isoCAL:									
- Temperature change	K	2	2	2	2	2	2	2	2
- Time interval	h	6	6	6	6	6	6	6	6
Display result (depending on the set filter level)	s	0.1 0.2	0.1 0.2	0.1 0.2	0.1 0.2	0.1 0.2	0.1 0.2	0.1 0.2	0.1 0.2
Weighing pan size	mm	∅ 180	∅ 180	∅ 180	∅ 180	∅ 180	∅ 180	∅ 180	∅ 180
Net weight, approx.	kg	5.2	5.2	5.2	5.2	5.2	5.2	5.2	5.2

Optional Accessories

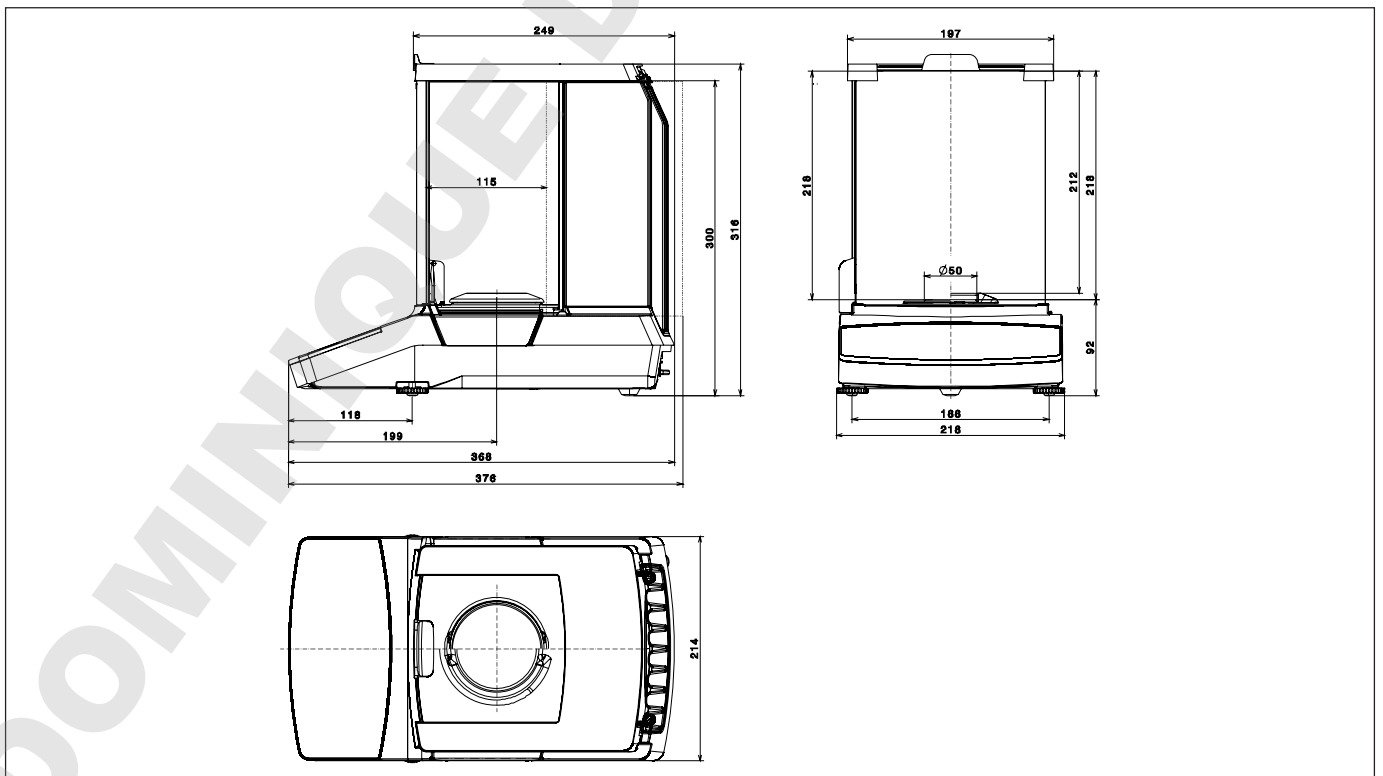
Printers and Communications	
Premium GLP Laboratory Printer	YDP30
– Printer paper for GLP laboratory printer	69Y03285
– Endless labels for GLP laboratory printer	69Y03286
Standard Laboratory Printer	YDP40
– Printer paper for standard laboratory printer	69Y03287
Data communication cable, USB USB A	YCC04-D09
Data communication cable, mini USB RS232, 9-pin	YCC03-D09
Data communication cable, mini USB RS232, 25-pin	YCC03-D25
General	
Battery Pack for Standard Lab Balances	YRB11Z
Draft shield for balances with a readability of 10 mg	YDS01SQP
Round glass draft shield for balances with a readability of 1 mg	YDS02SQP
Glass draft shield for balances with a readability of 0.002 mg, for increasing the weighing performance	YHK01SQP
In-use cover for balances with a readability of 0.01 mg 0.002 mg	6960SE05
In-use cover for balances with a readability of 0.1 mg 1 mg	6960SE01
In-use cover for balances with a readability of 10 mg	6960SE02
Dust cover for balances with a readability of 0.1 mg 1 mg	6960SE03
Dust cover for balances with a readability of 0.01 mg 0.002 mg	6960SE04
Certificate of USP minimum weight	84CGNA
Weighing Pans (for balances design 1)	
Weighing pan, diameter 80 mm, slotted, for increasing the weighing performance	YSP01SQP
Weighing pan, diameter 90 mm; includes conversion kit	YWP01SQP
Filter weighing pan, diameter 130 mm	YFW01SQP
Stainless steel weighing pan set, diameter 50 mm, for balances with a readability of 0.002 mg	VF4589
Density Determination	
Density kit for balances with a readability of 0.01 mg	VF4601
Density kit for balances with a readability of 0.1 mg 1 mg	YDK03
Density kit for balances with a readability of 10 mg	YDK04

Calibration Weights

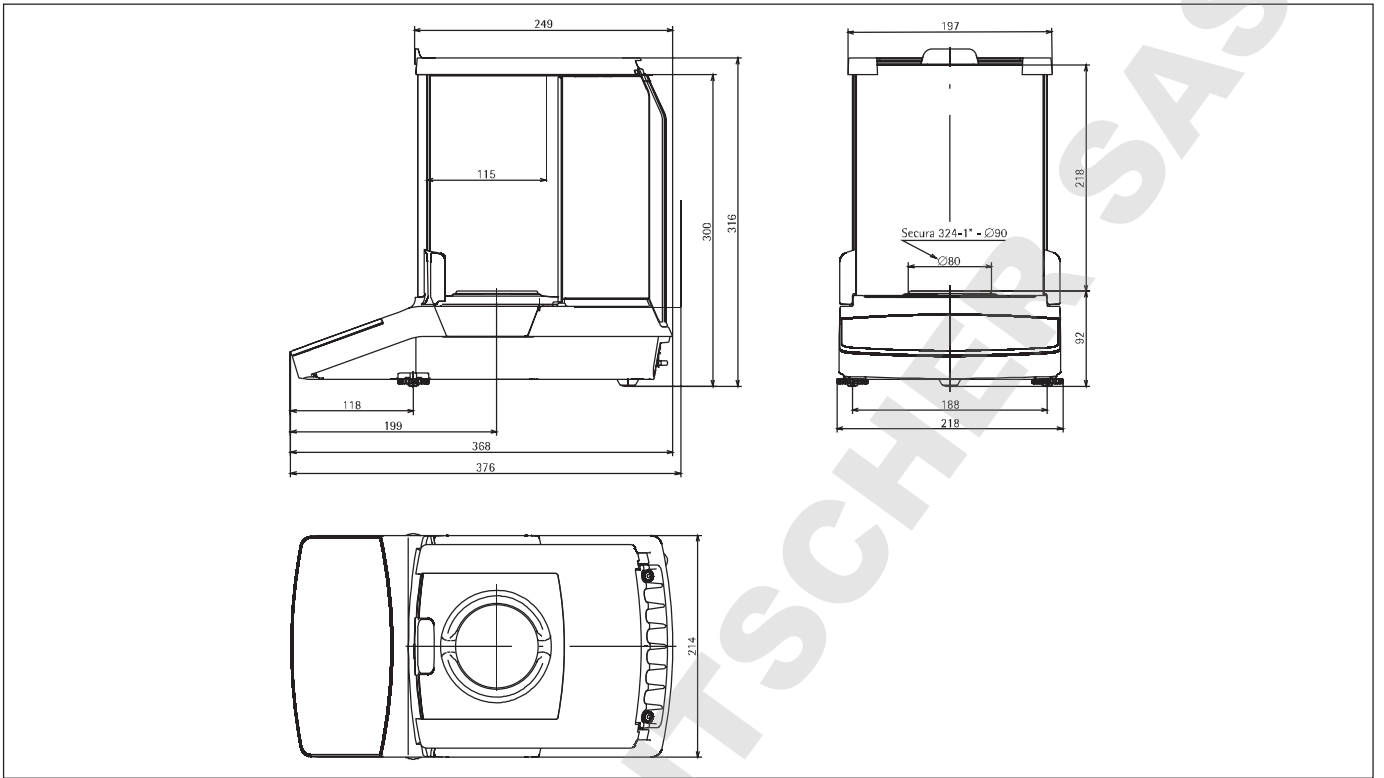
Calibration weight for lab balance model 26 – Proof Line knob weight 20 g, OIML class E2, with DAkkS certificate	YCW422-AC-02
Calibration weight for lab balance model 324; 224; 313; 213 – Proof Line knob weight 200 g, OIML class E2, with DAkkS certificate	YCW522-AC-02
Calibration weight for lab balance model 225D; 125; 124 – Proof Line knob weight 100 g, OIML class E2, with DAkkS certificate	YCW512-AC-02
Calibration weight for lab balance model 613; 513; 612 – Proof Line knob weight 500 g, OIML class E2, with DAkkS certificate	YCW552-AC-02
Calibration weight for lab balance model 6102; 5102 – Proof Line knob weight 5 kg, OIML class E2, with DAkkS certificate	YCW652-AC-02
Calibration weight for lab balance model 3102; 2102 – Proof Line knob weight 2 kg, OIML class E2, with DAkkS certificate	YCW622-AC-02
Calibration weight for lab balance model 1103; 1102 – Proof Line knob weight 1 kg, OIML class E2, with DAkkS certificate	YCW612-AC-02
Calibration weight for lab balance model 6101 – Proof Line knob weight 5 kg, OIML class F1, with DAkkS certificate	YCW653-AC-02
Calibration weight for lab balance model 3101 – Proof Line knob weight 2 kg, OIML class F2, with DAkkS certificate	YCW624-AC-02

Technical Drawings

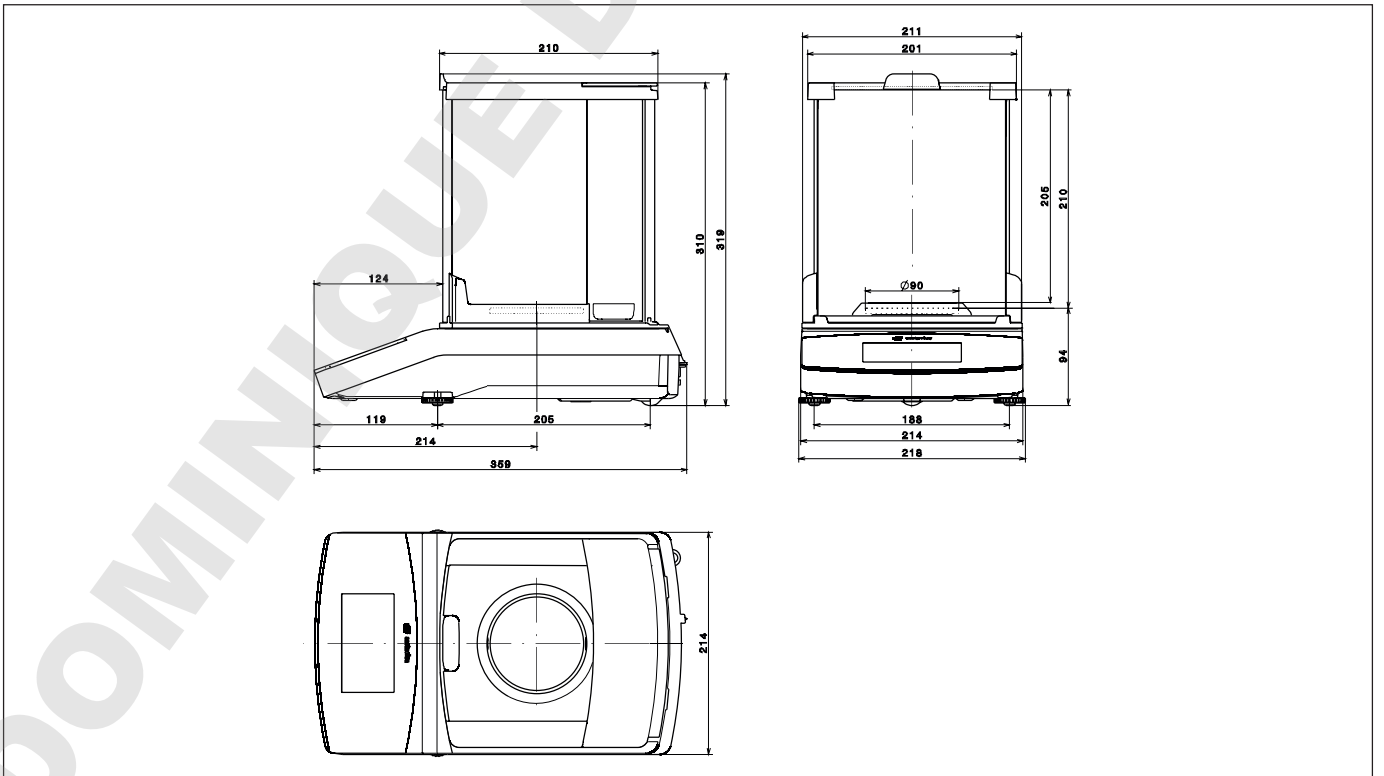
Models with a readability of 0.002 mg, in mm



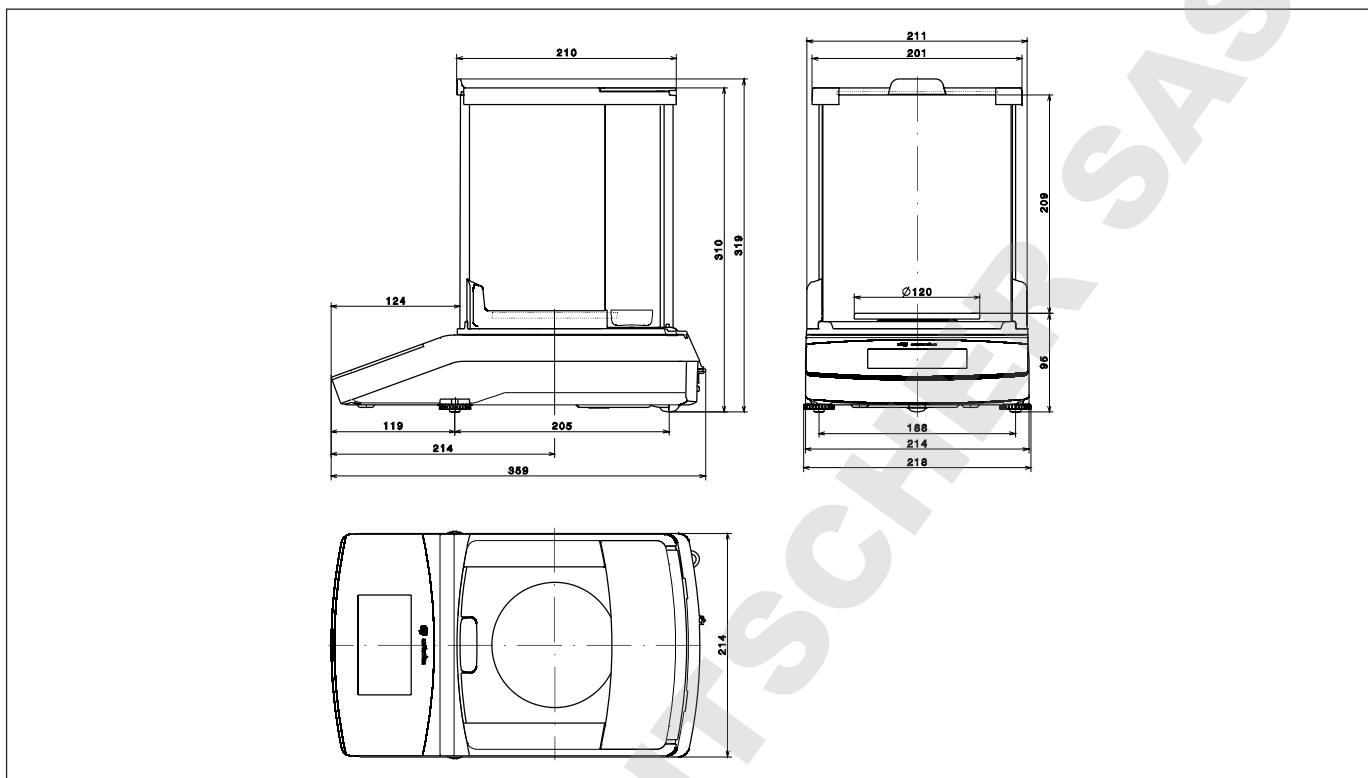
Models with a readability of 0.01 mg and 324-1x, in mm



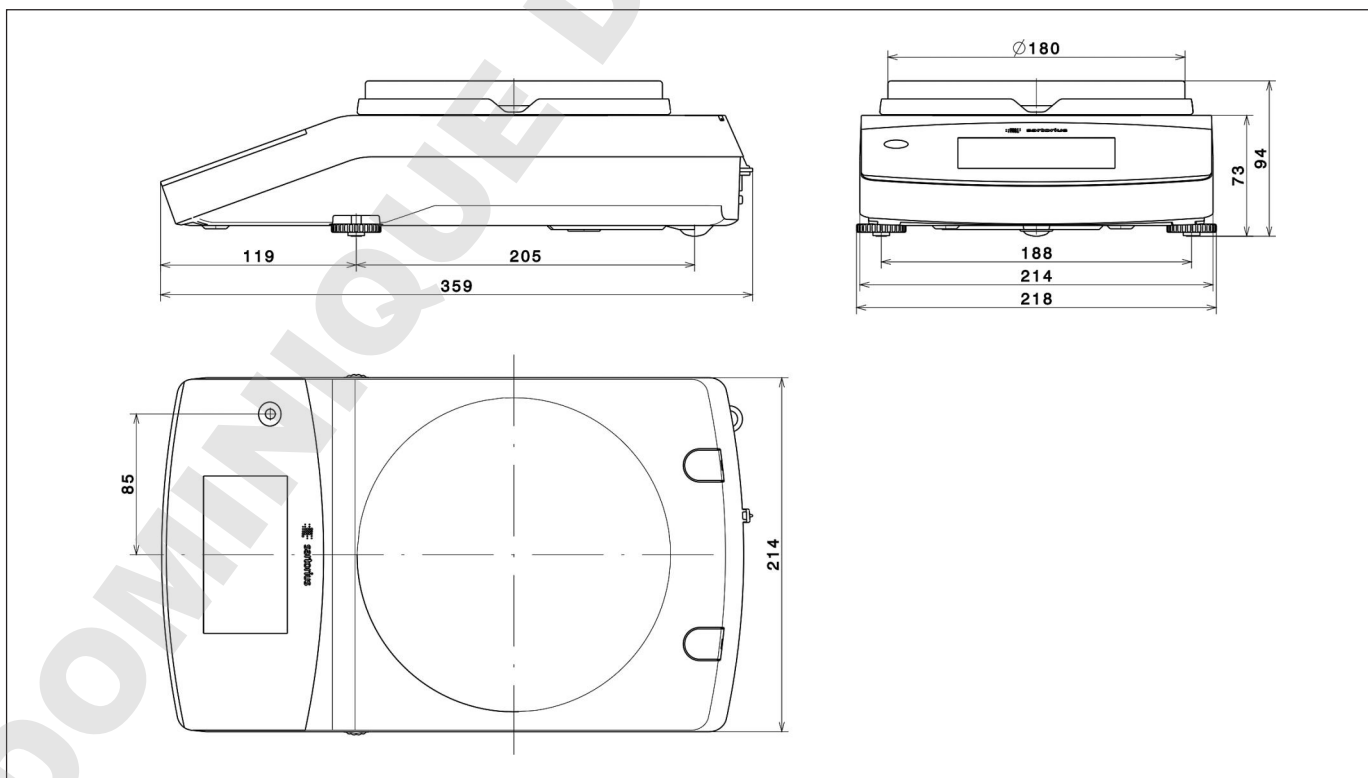
Models with a readability of 0.1 mg (except 324-1x), in mm



Models with a readability of 1 mg, in mm



Models with a readability of ≥ 10 mg, in mm



Sales and Service Contacts

For further contacts, visit www.sartorius.com

Europe

Germany
Sartorius Lab Instruments
GmbH & Co. KG
Otto-Brenner-Strasse 20
37079 Goettingen
Phone +49.551.308.0
Fax +49.551.308.3289

France Et Suisse Romande
Sartorius France
2, rue Antoine Laurent de Lavoisier
ZA de la Gaudrée
91410 Dourdan
Phone +33.1.70.62.50.00
Fax +33.1.64.59.76.39

Austria
Sartorius Austria GmbH
Modecenterstrasse 22
1030 Vienna
Phone +43.1.7965760.0
Fax +43.1.7965760.24

Belgium
Sartorius Belgium N.V.
Rue Colonel Bourg 105
1030 Bruxelles
Phone +32.2.756.06.90
Fax +32.2.481.84.11

Finland & Baltics
Sartorius Biohit Liquid Handling Oy
Laippatie 1
00880 Helsinki
Phone +358.9.755.951
Fax +358.9.755.95.200

Hungary
Sartorius Hungária Kft.
Kagyló u. 5.
2092 Budakeszi
Phone +3623.457.227
Fax +3623.457.147

Ireland
Sartorius Ireland Ltd.
Unit 41, The Business Centre
Stadium Business Park
Ballycoolin Road
Dublin 11
Phone +353.1.8089050
Fax +353.1.8089388

Italy
Sartorius Italy S.r.l.
Viale A. Casati, 4
20835 Muggiò (MB)
Phone +39.039.4659.1
Fax +39.039.4659.88

Netherlands
Sartorius Netherlands B.V.
Phone +31.30.60.53.001
Fax +31.30.60.52.917
info.netherlands@sartorius.com

Poland
Sartorius Poland sp.z o.o.
ul. Wrzesinska 70
62-025 Kostrzyn
Phone +48.61.6473830
Fax +48.61.6473839

Russian Federation
LLC "Sartorius RUS"
Uralskaya str. 4, Lit. B
199155 St. Petersburg
Phone +7.812.327.53.27
Fax +7.812.327.53.23

Spain Et Portugal
Sartorius Spain, S.A.
Avda. de la Industria, 32
Edificio PAYMA
28108 Alcobendas (Madrid)
Phone Spain +34.913.586.095
Phone Portugal +351.800.855.800
Fax Spain +34.913.589.623
Fax Portugal +351.800.855.799

Switzerland
Sartorius Mechatronics Switzerland AG
Ringstrasse 24a
8317 Tagelswangen (ZH)
Phone +41.44.746.50.00
Fax +41.44.746.50.50

U.K.
Sartorius UK Ltd.
Longmead Business Centre
Blenheim Road, Epsom
Surrey KT19 9QQ
Phone +44.1372.737159
Fax +44.1372.726171

Ukraine
LLS "Sartorius RUS"
Post Box 440 "B"
01001 Kiev, Ukraine
Phone +380.44.411.4918
Fax +380.50.623.3162

Americas

USA
Sartorius Corporation
5 Orville Drive, Suite 200
Bohemia, NY 11716
Phone +1.631.254.4249
Toll-free +1.800.635.2906
Fax +1.631.254.4253

Argentina
Sartorius Argentina S.A.
Int. A. Ávalos 4251
B1605ECS Munro
Buenos Aires
Phone +54.11.4721.0505
Fax +54.11.4762.2333

Brazil
Sartorius do Brasil Ltda
Avenida Senador Vergueiro 2962
São Bernardo do Campo
CEP 09600-000 - SP- Brasil
Phone +55.11.4362.8900
Fax +55.11.4362.8901

Canada
Sartorius Canada Inc.
2179 Dunwin Drive #4
Mississauga, ON L5L 1X2
Phone +1.905.569.7977
Toll-Free +1.800.668.4234
Fax +1.905.569.7021

Mexico
Sartorius de México, S.A. de C.V.
Libramiento Norte de Tepotzotlan s/n,
Colonia Barrio Tlacateco,
Municipio de Tepotzotlan,
Estado de México,
C.P. 54605
Phone +52.55.5562.1102
Fax +52.55.5562.2942
leadsmex@sartorius.com

Peru
Sartorius Peru S.A.C.
Av. Emilio Cavenecia 264 San Isidro
15073 Lima, Perú
Phone +51.1.441 0158
Fax +51.1.422 6100

Asia | Pacific

Australia
Sartorius Australia Pty. Ltd.
Unit 5, 7-11 Rodeo Drive
Dandenong South Vic 3175
Phone +61.3.8762.1800
Fax +61.3.8762.1828

China
Sartorius (Shanghai) Trading Co., Ltd.
3rd Floor, North Wing, Tower 1
No. 4560 Jinke Road
Zhangjiang Hi-Tech Park
Pudong District
Shanghai 201210, P.R. China
Phone +86.21.6878.2300
Fax +86.21.6878.2882

Hong Kong
Sartorius Hong Kong Ltd.
Unit 1012, Lu Plaza
2 Wing Yip Street
Kwun Tong
Kowloon, Hong Kong
Phone +852.2774.2678
Fax +852.2766.3526

India
Sartorius Weighing India Pvt. Ltd.
#69/2-69/3, NH 48, Jakkasandra,
Nelamangala Tq
562 123 Bangalore, India
Phone +91.80.4350.5250
Fax +91.80.4350.5253

Japan
Sartorius Japan K.K.
4th Fl., Daiwa Shinagawa North Bldg.
8-11, Kita-Shinagawa 1-chome
Shinagawa-ku, Tokyo, 140-0001 Japan
Phone +81.3.3740.5408
Fax +81.3.3740.5406

Malaysia
Sartorius Malaysia Sdn. Bhd
Lot L3-E-3B, Enterprise 4
Technology Park Malaysia
Bukit Jalil
57000 Kuala Lumpur, Malaysia
Phone +60.3.8996.0622
Fax +60.3.8996.0755

Singapore
Sartorius Singapore Pte. Ltd
1 Science Park Road,
The Capricorn, #05-08A,
Singapore Science Park II
Singapore 117528
Phone +65.6872.3966
Fax +65.6778.2494

South Korea
Sartorius Korea Ltd.
8th Floor, Solid Space B/D,
PanGyoYeok-Ro 220, Bundang-Gu
SeongNam-Si, GyeongGi-Do, 463-400
Phone +82.31.622.5700
Fax +82.31.622.5799

Thailand
Sartorius (Thailand) Co. Ltd.
129 Rama 9 Road,
Huaykwang
Bangkok 10310
Phone +66.2643.8361-6
Fax +66.2643.8367



◀ www.sartorius.com