



Precision immersion thermostats, baths & circulators Optima TX150 & TXF200

Operating Manual



EN



FR



DE



IT



ES

Grant Instruments, based near Cambridge, England is a world leader in the manufacture and design of equipment for sample preparation, scientific analysis, data acquisition and data analysis providing solutions to the global scientific and industrial markets.

Standards Compliance and Quality

Grants' brand and reputation are based around quality, reliability and accuracy. We ensure our products stringently meet all necessary international safety standards. We pay particular attention to the safety testing of products and remain at the forefront of the product safety standard for laboratory equipment IEC 61010-1. The company is committed to operating its safety test laboratory in accordance with the requirements of ISO 17025.

Grant operates a Quality Management System that complies with the requirements of BS EN ISO 9001:2008.

Beyond compliance to the standard, Grant is committed to continually improving in everything we do; with particular emphasis on understanding what matters to our customers and suppliers, and designing our systems and work to meet their needs.

If you have any feedback on Grant's products or services we would like to hear from you. Please send all feedback to:

Quality Manager
Grant Instruments (Cambridge) Ltd
Shepreth
Cambridgeshire
SG8 6GB
UK

Tel: +44 (0) 1763 260 811
Fax: +44 (0) 1763 262 410
E-mail: feedback@grantinstruments.com

Contents

Contents	2
1.0 Use of products	4
2.0 How to use this operating manual	4
3.0 Safety information	5
3.1 Safety compliance	5
3.2 Safety symbols	5
3.3 Safety warnings	5
4.0 Operating instructions	6
4.1 Unpacking instructions	6
4.2 Fitting controller to ST baths	6
4.3 Fitting the controller to P baths	7
4.4 Fitting the controller to custom baths	7
4.5 Removing the controller from the bridge plate	8
4.6 Recommended liquids	8
4.7 Installation	9
4.8 Electrical supply	9
4.9 Using accessory cooling (C1G, C2G, CW5)	9
5.0 Operating procedures	10
5.1 Operation	10
5.1.1 Liquid level	10
5.1.2 Operation above 60°C	10
5.1.3 Operation at low temperatures	10
5.1.4 Using the pump	10
5.1.5 Using the switch over relay output	11
5.1.6 Emptying the ST baths	12
5.1.7 Setting up and switching on	12
5.1.8 Power loss	12
5.2 Using the TX150 & TXF200	13
5.2.1 Front panel controls	13
5.2.2 Rear panel connections	14
5.2.3 Communications ports	14
5.2.4 Switched relay port	14
5.2.5 External probe input	14
5.2.6 Setting the over-temperature thermostat	15
5.2.7 Display. Explanation of home screen icons.	15
5.2.8 Description of user interface and controls	16
5.2.9 Setting the control temperature	16
5.2.10 Setting a pump speed (TXF200 only)	16
5.2.11 Running a bath preset	17
5.2.12 Running a countdown timer	17
5.2.13 Running a program	18
5.2.14 Activating standby mode	19
5.2.15 Accessing the settings menu	19
5.3 Viewing, editing and saving settings	21
5.3.1 Configuring a preset	21
5.3.2 Creating a program (TXF200 only)	22
5.3.3 Editing a program (TXF200 only)	24
5.3.4 Selecting a liquid type	25
5.3.5 Selecting a temperature probe type	26
5.3.6 Configuring high and low temperature alarms	27
5.3.7 Setting the buzzer volume level	30
5.3.8 Selecting a language	30
5.3.9 Relay test and configuration	31
5.3.10 Display rounding	32

EN

5.4	Completing a calibration	33
5.4.1	Restoring factory calibration settings	34
6.0	Technical specifications	35
6.1	Operating conditions	35
6.2	Electrical details	35
6.3	Product performance	35
6.4	Bath accessories information	35
7.0	Technical Tips	36
7.1	Which water should you use in your bath?	36
7.2	How to prevent rust in water baths	36
7.3	How to prevent algae and bacteria	37
8.0	Warranty information	37
9.0	Maintenance and service	37
9.1	Routine maintenance	37
9.2	Cleaning	37
9.3	Fuses	38
9.4	Replacing the mains cord	38
9.5	Routine safety tests	38
9.6	Service	38
10.0	Optional accessories	38
11.0	Troubleshooting	39
12.0	Contact Grant Instruments	42
13.0	Compliance	42

1.0 Use of products

The following products are covered by this operating manual:

- TX150 & TX150L
- TXF200 & TXF200L

The products listed above are precision immersion thermostats to be used with baths or circulators designed for indoor laboratory use by a professional user.

2.0 How to use this operating manual

This operating manual will allow you to unpack, set-up and operate this immersion thermostat correctly and safely. Important safety information, symbols and warnings are listed below and should be read carefully. Section 4 gives information about how to unpack and install the product correctly. Section 5 gives operating information for the TX150 & TXF200 models. Product technical specifications and tips are provided in sections 6 and 7. The warranty for this product is for THREE YEARS and is detailed in section 8 and should be registered by completing the on-line registration form at www.grantinstruments.com.

If there is a technical matter that this operating manual does not address, or any other question concerning this product, please contact Grant Instruments or your local distributor, who will be able to provide any additional information.

EN

3.0 Safety information

3.1 Safety compliance

Grant immersion thermostats meet the requirements of international safety standard IEC 61010: Safety requirements for electrical equipment for measurement, control, and laboratory use. They also comply with the equivalent national standards including:

EN 61010-2-010
UL 61010A-2-010
CAN/CSA-C22.2 NO. 61010-2-010-04.

3.2 Safety symbols

The symbols below are marked on the equipment and throughout this manual to indicate:



Caution: Surfaces and heat transfer liquid can be hot during and after use.



Read this manual before using the bath.



Important safety warning.

3.3 Safety warnings



Read the whole of these instructions. Safety may be impaired if they are not followed.



For the TX150/TXF200 only use liquids specified in these operating instructions, within the specified temperature range. Do not inhale the vapours given off as they may be toxic. Liquids should be safely discarded and replaced.



Do not use the TX150/TXF200 with flammable heat transfer liquids.



Do not use the TX150/TXF200 to heat any sample material that could cause a fire or any other kind of hazard.



Do not use the equipment in an area where there are aggressive or explosive chemical mixtures.



If a potentially hazardous liquid is spilt onto or inside the equipment, disconnect it from the power supply and have it checked by a competent person.



It is the user's responsibility to carry out appropriate decontamination if hazardous material is spilt on the equipment.



If there is a warning message on the screen, do not touch the liquid or the bath surfaces, they may be very hot.



Refill carefully, a hot heater can cause a spattering of very hot water droplets and scalding steam.



Do not touch surfaces which become hot during high temperature operation.

4.0 Operating instructions

4.1 Unpacking instructions

Standard equipment includes:

- Immersion thermostat (TX150 or TXF200)
- Pump outlet plates
- Mains cord with plug
- Operating manual
- Quick start guide

ST bath accessory includes:

- Stainless steel bath
- Bridge plate
- Circulating tray (ST18, ST26 & ST38 baths only)

P bath accessory includes:

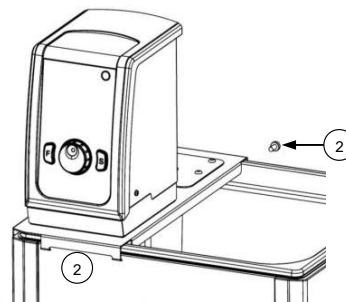
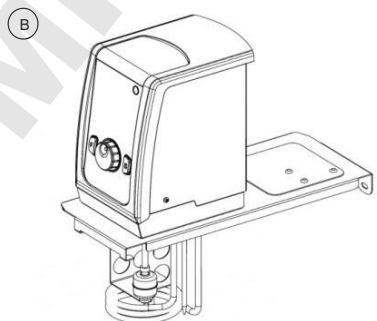
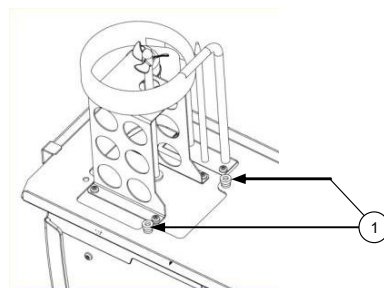
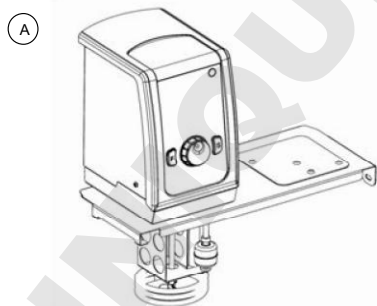
- Plastic bath
- Bridge plate

Remove packing materials carefully and retain them for future shipment or storage of the equipment.

4.2 Fitting controller to ST baths

The TX150/TXF200 can be fitted to the following stainless steel baths, ST5, ST12, ST18, ST26 and ST38 in two orientations for convenience, facing over ST bath (A) or facing outwards (B):

1. Fit the TX150/TXF200 through the hole in the bridge plate and align using the locating threads. Secure using the retaining nuts (1). Hand tighten only.
2. Hook the assembly into the slots on the ST bath and use the supplied fixing to secure to the rear of the bath (2).



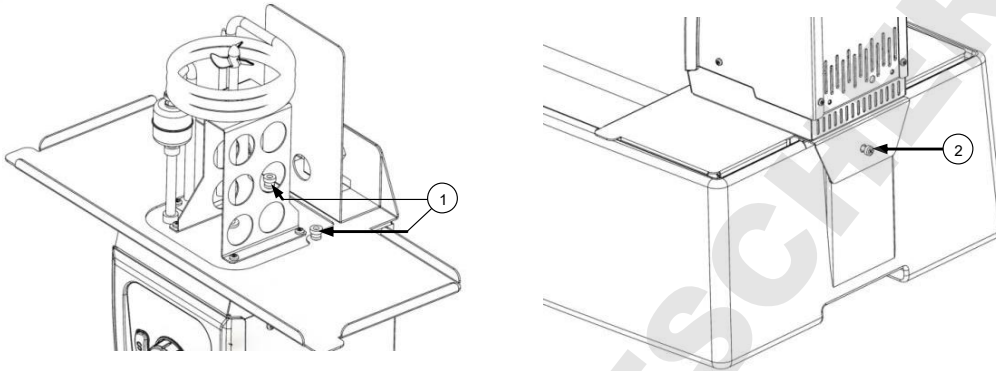
EN

Fit the circulation tray in the base of the tank with the large cut out in the tray underneath the control unit (ST18, ST26 & ST38 only).

4.3 Fitting the controller to P baths

The TX150/TXF200 can be fitted to the following plastic baths, P5, P12 and P18:

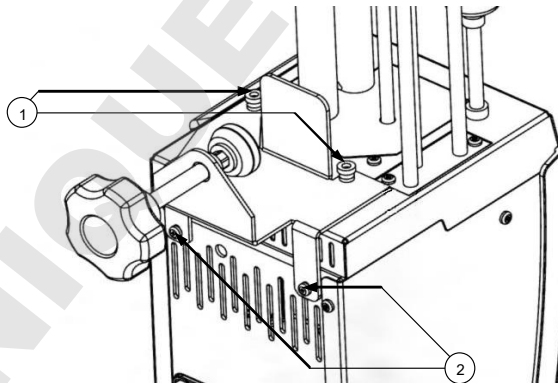
1. Fit the TX150/TXF200 through the hole in the bridge plate and align using the locating threads. Secure using the retaining nuts (1). Hand tighten only.
2. Add the assembly to the P bath and use the supplied fixing to secure to the rear of the bath (2).



4.4 Fitting the controller to custom baths

A clamp can be fitted to the TX150/TXF200 to allow attachment to a non-Grant bath or vessel with a wall thickness of up to 30mm. To fit the clamp to the TX150/TXF200:

1. Place clamp over locating threads on base of TX150/TXF200. Secure using the retaining nuts. Hand tighten only.
2. Add clamp rear fixings to secure to rear of TX150/TXF200.



Take care not to over tighten the clamp to avoid damaging the clamp or vessel



The liquid container on which the unit is mounted must be stable and have the necessary robustness, mechanical, chemical and heat resistance.

Do not wash the clamp in a dishwasher or clean it with descaler. Do not submerge the threaded shaft of the clamp. Always dry the threaded shaft and clamp after cleaning. The threads may be lubricated with a small amount of light machine oil.

4.5 Removing the controller from the bridge plate

Allow the working liquid to cool before removing the TX150/TXF200 from the bridge plate. Carefully remove the TX150/TXF200 and bridge plate together from the bath or vessel. Take care as the pump will contain a small amount of the working liquid which will leak out as the unit is handled. Undo the retaining nuts and remove the bridge plate. Attach the retaining nuts to the locating threads for safe keeping.

4.6 Recommended liquids

The following table lists the recommended liquids for different temperature ranges. Always ensure the liquid used is safe and suitable for your working temperature. If using non-recommended heat transfer liquids, it is the responsibility of the user to conduct an assessment to ensure the intended fluid is compatible with the TX150/TXF200 and vessel.



To ensure protection the overtemperature cut-out must be set appropriately for the heat transfer liquid selected see table.



If using non-recommended heat transfer liquids it is important to set the overtemperature cut-out to a value no higher than 25°C below the fire point of the liquid. If in doubt please contact the Grant technical support team.



Use fume extraction when using silicone fluids at elevated temperatures

Temp range	Recommended liquid	Cut-out setting	Comments
-50°C to 50°C	Silicone Oil, low viscosity	60°C	Bayer Silicone M3 is a suitable liquid
-30°C to 70°C	50% water, 50% antifreeze (inhibited ethylene glycol)	80°C	WARNING: Ethylene glycol is toxic – follow the manufacturer’s instructions. For safe disposal consult your local regulations. Use a lid to reduce the dilution of the mixture caused by condensing water vapour from the air, and to maintain the cool down rate.
0°C to 30°C	80% water, 20% antifreeze (inhibited ethylene glycol)	40°C	
5°C to 99.9°C	Water*	110°C	Water can be used but care should be taken above 60°C as hot vapour can be dangerous. Use a lid or polypropylene spheres above 60°C to ensure good performance & reduce evaporation. At temperatures approaching 99°C the temperature performance will be affected due to localised boiling. *The units should not be used to boil water.
70°C to 150°C	Silicone fluid Viscosity ~20cS Flash point ≥230°C Fire Point ≥280°C	160°C	Dow Corning DC200/20 silicone fluid is a suitable liquid – follow the manufacturer’s instructions. For safe disposal consult your local regulations.
70°C to 200°C	Silicone fluid Viscosity 50cS centistokes Flash point ≥285°C Fire Point ≥340°C	210°C	Baysilone M 50 EL silicone fluid is a suitable liquid - follow the manufacturer’s instructions. For safe disposal consult your local regulations.

EN

Temp range	Recommended liquid	Cut-out setting	Comments
-50°C to 150°C or 200°C	None	As required for safety	Override range - The user must select a suitable safe liquid and carry out their own risk assessment before use. Note that the control when using this setting may be affected as the liquid characteristics are unknown.

4.7 Installation



Place the water bath on a level, non-combustible surface. Ensure that the mains plug and the switch at the rear of the unit are easily accessible.



If the equipment has been transported or stored in cold or humid conditions, condensation may form inside it. If that could have happened, allow time (at least 2 hours at room temperature) for the condensation to evaporate before using the equipment.



Do not block or restrict ventilation slots.

4.8 Electrical supply



Check that the supply voltage marked on the serial number label, and the type of mains plug, are correct for your mains supply outlet, which must have an earth (ground) connector.

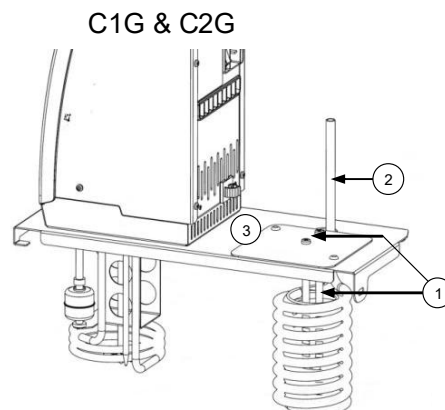
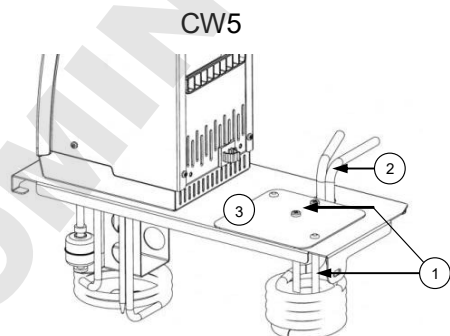


The TX150/TXF200 must only be connected to the mains using the mains cord supplied or one with an identical rating (see section 9.4)

4.9 Using accessory cooling (C1G, C2G, CW5)

Accessory cooling is required for operation at temperatures below ambient. Refrigerated dip coolers (C1G and C2G) can be used for operation down to -15°C. A water heat exchanger coil (CW5) can be used for operation at or around ambient. The coils can be fitted:

1. Attach u-shaped coil locating rod to cover plate using two fixings supplied (1).
2. Fit the cooling coil through the hole in the bridge plate and align outlet pipes with cut-out notch (2).
3. Fit cover plate (3) onto bridge plate and attach with fixings supplied. The coil locating rod should press fit against the inside of the coil and hold it rigidly. Ensure the coil is held safely and securely before operation.



5.0 Operating procedures

5.1 Operation

5.1.1 Liquid level

The minimum and maximum liquid levels are defined in section 6.4 for Grant accessory baths. Liquid level should always be maintained between these levels. These levels apply both when there are no vessels in the bath and with the maximum contents. If using liquids that can evaporate then periodic checking and refilling should be completed. The low level float switch will alarm if the liquid level drops below the minimum required level and the unit will switch off the heater and stop temperature control.

5.1.2 Operation above 60°C

A lid or polypropylene spheres must be used above 60°C to maintain temperature control and to ensure that the bath fluid temperature reaches the set point. They will save energy by preventing excessive evaporation and reduce the frequency that the bath needs to be refilled. As a precaution, the TX150/TXF200 may display 'Overheating-power reduced' if heating water at or near boiling over extended periods or heating large volumes of liquid with large thermal losses without the use of a lid or polypropylene spheres. In this event the heating power is reduced by 50%. See section 11 for additional guidance.

Care should be taken to ensure rear inlet vents are clear and minimise the intake of steam or fumes when operating at or near water boiling or with other evaporating liquid.



Take care when lifting and removing the lid as it may be hot. Steam and hot vapours can cause scalding.

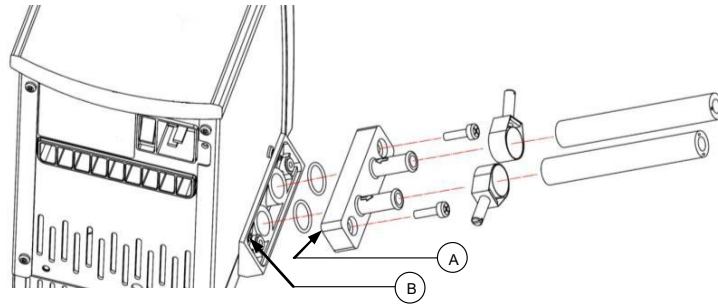
5.1.3 Operation at low temperatures

Accessory cooling is required for controlled operation at or below ambient temperature. The minimum working temperature without accessory cooling depends on the size of the bath. The small baths, P5 and ST5, have a minimum working temperature of approximately 10°C above ambient without a lid and 15°C above ambient with a lid. Other bath sizes can be used at a temperature of 5°C above ambient.

EN

5.1.4 Using the pump

The TX150/TXF200 allows liquid to be pumped around a closed external system (not open to the atmosphere). It may be used for circulation through an external open tank only if a gravity feed return is present. An assessment of any open system should be completed to ensure liquid levels are stable during operation and there is no chance of any reservoir running dry or overflowing. The pump is fitted with a blanking plate as standard. Fit a pump connector plate as shown below. Note: the blanking/connector plates have a locating hole (see A below) to assist correct alignment onto the pump moulding. It is important to verify the hole is aligned with the corresponding locating pin (see B below) on the pump moulding. Failure to do so will result in a leaking connection. Retain the blanking plate for refitting when the pump is no longer required.



Always use pump connectors and hoses that are suitable for the operating temperature and liquid used. Check the pipe connections are secure.

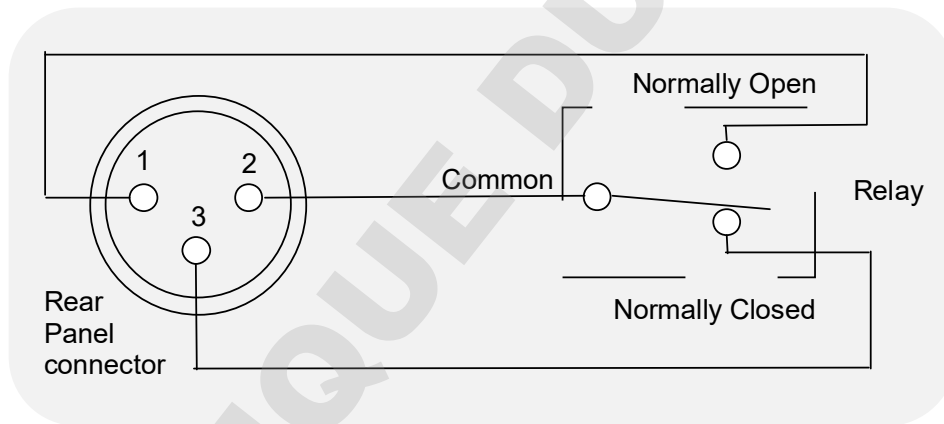


Never disconnect any pipes or hoses while they contain very hot or very cold liquids or while the TX150/TXF200 is pumping.

Pumping heat transfer liquid around an external system can lead to hazards that are outside the control of Grant Instruments. It is essential that the user conducts a risk assessment of the entire equipment installation to ensure that correctly rated materials have been used throughout and that the system can be used safely.

5.1.5 Using the switch over relay output

An internal relay provides switch over contacts that can be used to control external equipment. The pin connections on the rear panel 3 pin circular connector are:



For the connecting cable use a mating XLR style connector such as the NC3FXX manufactured by Neutrik AG

The switch over contacts are rated at 24V AC or DC 2A maximum.



The relay is rated 24Vac or dc at 2A; to prevent injury or equipment damage, do not connect to greater voltages or attempt to switch greater currents.



Voltages as low as 22Vac can be hazardous in locations where wetting of the skin can occur. When making up cable to connect your equipment to the relay connector, on the TX150/TXF200, make sure that the insulation system used is adequate to provide protection against the voltages output by your equipment for switching by the relay.



Always use the correct size cable with correct class of insulation for the voltage being switched. If in doubt contact the technical support team at Grant.

5.1.6 Emptying the ST baths

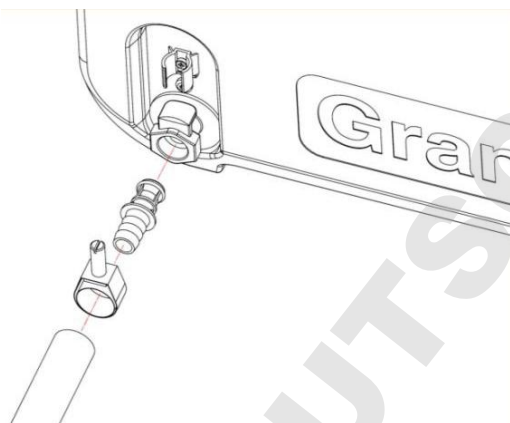
The ST12, ST18, ST26 & ST38 baths should be emptied to a safe level prior to moving. A drain tap is included on these baths to allow convenient emptying.



Allow the liquid temperature to fall to a safe level before emptying or moving.

CAUTION: if the bath is drained at temperatures above 50°C then the drain mechanism will be damaged and will need to be replaced. Take reasonable precautions to prevent accidental spillage.

Empty the bath by pushing the supplied drain insert into the drain tap as shown below. Note that the bath liquid will begin to empty as soon as the drain insert is fully engaged. A length of hose can be added to the barbed end of the drain insert if required.



5.1.7 Setting up and switching on

Attach the TX150/TXF200 securely to the required bath or vessel. Add the appropriate working liquid to the bath to at least the minimum recommended fill level such that the float level switch is fully raised.

Connect the TX150/TXF200 to a grounded (earthed) electrical power supply with voltage and frequency within the range specified on the serial number plate.

Switch on the TX150/TXF200 using the power switch on the rear of the unit. The motor will start immediately and the buzzer will sound while the unit starts up. During start up the display will show the software version before displaying the home screen. The TX150/TXF200 is ready to use.

To disconnect the equipment from the mains supply, remove the mains plug from the mains supply outlet.

5.1.8 Power loss

If power is lost, either due to the unit being switched off or due to a power failure, then when the power is restored the unit will return to the home screen (see 5.2.7) with the last valid set temperature and pump speed. Note that, if a program was running (see 5.2.13), the set temperature will be the one set before the program started. If a preset was in use (see 5.2.11) then the set temperature and pump speed will be correct but the preset number will not be displayed. The countdown timer (see 5.2.12) will be stopped.

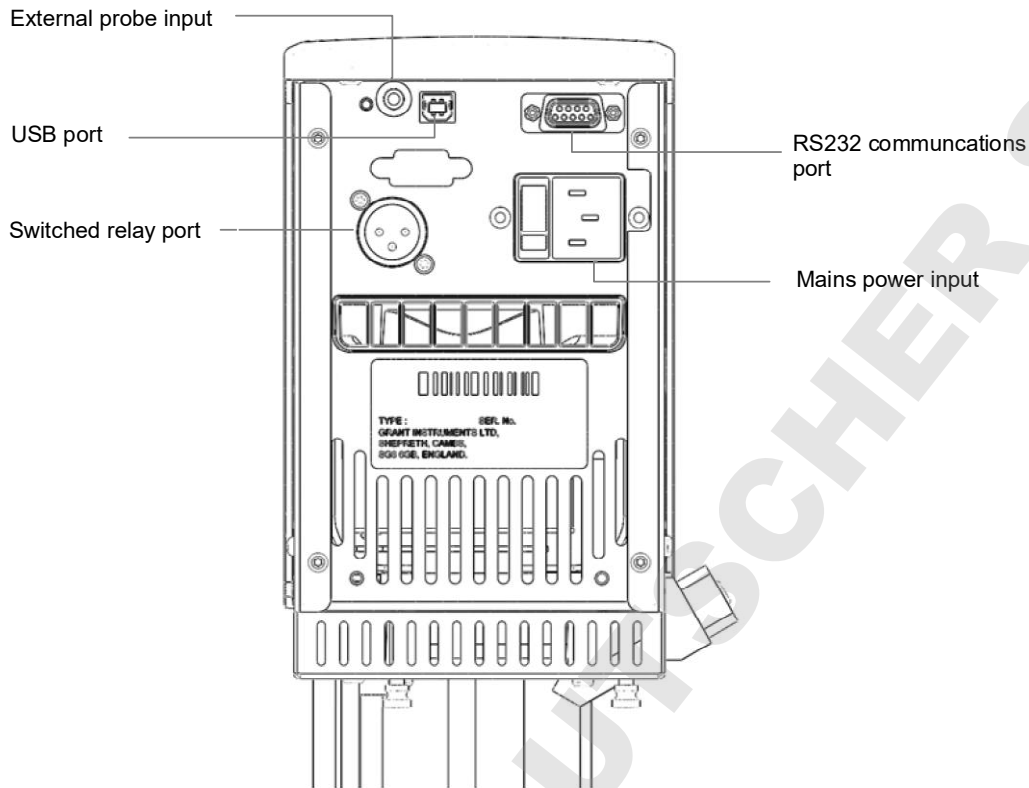
EN

5.2 Using the TX150 & TXF200

5.2.1 Front panel controls



5.2.2 Rear panel connections



5.2.3 Communications ports

The TX150 and TXF200 provide a RS232 and a USB data port for communication with a PC running Grant Labwise™ software. Labwise™ provides the ability to remotely configure, control, monitor programs as well as log program temperature data. Only use a RS232 cable supplied by Grant instruments. The USB cable is a Type A to Type B style

EN

5.2.4 Switched relay port

An internal relay provides switch over contacts that can be used to control external equipment. See Section 5.1.5 for details of the relay contacts and connector type.

5.2.5 External probe input

For connecting an external PT1000 temperature probe available from Grant instruments

5.2.6 Setting the over-temperature thermostat

An over-temperature cut-out dial with a temperature scale is located at the top right of the unit. The over-temperature probe independently monitors the bath temperature and switches the heater off if it goes above the cut-out threshold.

Coarse setting of the over-temperature thermostat

Rotate the temperature cut-out dial in line with the marked scale to the desired setting. This should be higher than the set temperature to avoid operating the cut-out before the set temperature has been reached.

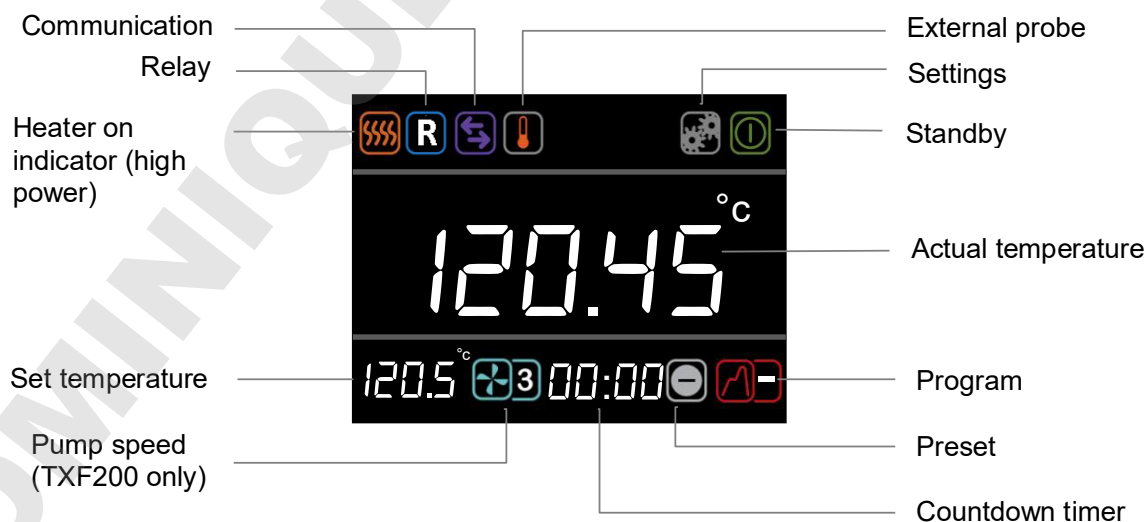
If the alarm is triggered the sounder can be silenced by pressing either the **F** or **S** button once. To continue to use the TX150/TXF200, let the bath liquid cool by at least 5°C, either naturally or by replacing the liquid, switch the unit off, wait 10 seconds and switch it on again to clear the alarm. To avoid nuisance tripping the trip point needs to be set at least 5°C above the desired control temperature.

Alternative setting of the over-temperature thermostat

Rotate the temperature cut-out dial to maximum (or at least a value above the level required) and configure the set temperature to the cut-out level required. Leave the bath to reach the set temperature and stabilise for at least 5 minutes. Turn the cut-out dial slowly anticlockwise until an over-temperature fault is displayed on screen and the alarm sounds continuously. This gives an over-temperature trip point at the set temperature. The audible alarm can be cancelled by pressing either the **F** or **S** button once.

To continue to use the TX150/TXF200, let the bath liquid cool by at least 5°C, either naturally or by replacing the liquid, switch the unit off, wait 10 seconds and switch it on again to clear the alarm. To avoid nuisance tripping the trip point needs to be set at least 5°C above the desired control temperature.

5.2.7 Display. Explanation of home screen icons.



5.2.8 Description of user interface and controls

The TX150/TXF200 features a full colour graphic display, a main dial and two buttons **F** and **S**. All functions (setting temperature, pump speed, countdown timer, presets, programs settings and standby mode) can be configured from the home screen. Navigation around the home screen is achieved by rotating the main dial which moves a white cursor to highlight function icons. Pressing the **S** button whilst the icon is highlighted will change the colour of the cursor to red, make the icon active and allow changes to be made, or in the case of the settings icon, further menus to be displayed.

The primary function of the **F** button is to exit functions and menus. If **F** is pressed when in the home screen whilst the cursor is white then the settings menu is displayed.

5.2.9 Setting the control temperature



1. Rotate the dial until the **set temperature** icon is highlighted, press the **S** button.

2. Rotate the dial to set the desired temperature.

*If no key is pressed for 10 seconds or if **F** is pressed, the set temperature icon is no longer active and will remain at its original value.*

3. Press **S** to store the requested value.

If the temperature selected is higher than the current liquid temperature the heater will switch on and the heater icon will be displayed.

The temperature setting range will be limited to the operating range of the selected liquid.

Refer to section 4.6 to find the allowable temperatures for each liquid.

5.2.10 Setting a pump speed (TXF200 only)



1. Rotate the dial until the **pump speed** icon is highlighted, press the **S** button.

2. Rotate the dial to set the desired pump speed over a range of 1 to 5 (1= lowest speed, 5 = highest speed).

*If no key is pressed for 10 seconds or if **F** is pressed, the pump speed icon is no longer active and will remain at its original value.*

3. Press **S** to store the pump speed.

The pump will now operate at the stored pump speed.

For set temperatures above 150°C, the pump will automatically operate at a minimum of speed 3.

EN

5.2.11 Running a bath preset

Each TX150/TXF200 contains three presets which can be configured to different set temperatures and in the case of the TXF200 the pump speed can additionally be configured. This allows the bath to be conveniently run at frequently used temperatures and pump speeds. See section 5.3.1 for information on preset configuration.



1. Rotate the dial until the **preset** icon is highlighted, press the **S** button.
2. Rotate the dial to select the desired preset 1, 2 or 3, press **S** to run the preset.

The preset will automatically start as soon as S is pressed.

If no key is pressed for 10 seconds or if F is pressed the preset icon is no longer active and will remain at its original value.

If the set temperature of the preset is not allowed for the selected liquid (e.g. a preset of 150°C when using water) then the preset icon will return to “-“ and the preset will not be used.

Refer to section 4.6 to find the allowable temperatures for each liquid.

5.2.12 Running a countdown timer

The countdown timer on the TX150/TXF200 can be set in the range of 1 minute to 99 hours. The countdown timer will sound a buzzer at the end of a countdown period. See section 5.3.2 for information on configuring countdown timer expiry actions.



1. Rotate the dial until the **countdown timer** icon is highlighted, press the **S** button.

The countdown timer will display the last countdown time set.

If no key is pressed for 10 seconds or if F is pressed the countdown timer setting is no longer active and will remain at its original value.

2. Rotate the dial to set the desired countdown time, press **S** to store.

The countdown timer will begin counting down from the set time. At the end of the countdown timer period a buzzer will sound. This can be cancelled by pressing F or S.

To cancel an active countdown timer:

1. Rotate the dial until the **countdown timer** icon is highlighted, press the **S** button.
2. Press the **F** button to cancel the countdown timer.
The countdown timer is stopped.

5.2.13 Running a program

The TX150/TXF200 has the capability to run automatic temperature profiles called programs. The TX150 has the capacity to store 1 program containing 30 individual temperature/time segments. The TX150 can only be configured and edited using Grant Labwise™ software. The TXF200 has the capacity to store 10 programs, each containing 100 individual time/temperature segments. The TXF200 programs can be configured directly on the unit or through Grant Labwise™ software. See section 5.3.2 for information on program configuration via the unit (TXF200 only). When a program is running icon access is limited to the standby and program functions



1. Rotate the dial until the **program** icon is highlighted, press the **S** button.

*If no key is pressed for 10 seconds or if **F** is pressed, the program icon is no longer active and will remain at its original value.*

2. Rotate the dial until the desired program is displayed (TXF200 = 1 to 10). By default the TX150/TXF200 will display program “–” indicating that no program is selected. Press **S** to select the program.

The selected program will start. The display will show the target temperature of the first segment and the countdown timer will indicate the duration of the program remaining. The TXF200 will display the pump speed set for the first segment. Whilst a program is running only the Standby icon can be selected.

*At the end of a program the buzzer will sound, this can be cancelled by pressing **F** or **S**.*

If the program is not valid, e.g. it has no segments set up, or any segment of the program contains a target temperature which is not valid for the selected liquid, e.g. trying to ramp to 150°C using water, then the program will not run and the program icon will revert to “–”. Edit the program or select a suitable liquid.

EN

Refer to section 4.6 to find the allowable temperatures for each liquid.

To stop a program

1. Rotate the dial until the **program** icon is highlighted, press the **S** button.

*If no key is pressed for 10 seconds or if **F** is pressed, the program icon is no longer active and will remain at its original value and the program will continue to run.*

2. Rotate the dial until the “–” is displayed, press **S** to select

The program will stop. The display will remain at the set temperature reached when the program was stopped, the countdown timer will stop at the remaining time and the pump speed will display the last speed set.

5.2.14 Activating standby mode

In standby mode the TX150/TXF200 is still powered, however key functions (heating, pump, countdown timer and programs) are switched off. In standby mode access is limited to the settings menu, enabling the functions such as alarms and programs to be configured while the unit is not operating.

Note. When entering standby mode the pump will remain on for 5 minutes to allow internal cooling to continue.

If a countdown timer has been set or a program is running before activating standby mode they will be terminated.



1. Rotate the dial until the **standby** icon is highlighted, press the **S** button.

*The **temperature** and **countdown timer** values are no longer displayed.*



2. To resume operation, rotate the dial until the **standby** icon is highlighted, press the **S** button.

The display returns to the home screen and the TX150/TXF200 resumes operation at the last temperature and pump speed set.

5.2.15 Accessing the settings menu

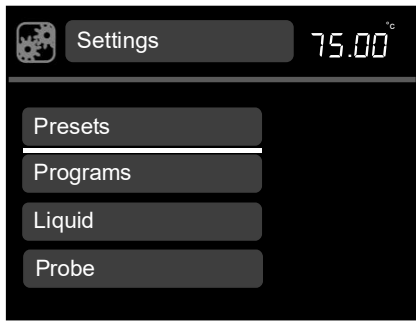
The settings menu provides access to the following settings screens: preset selection and definition, program selection and definition, liquid type, probe (internal or external), alarms, buzzer level, relay state, language and display rounding. Section 5.3 provides detailed information on viewing, editing and saving settings.



1. Rotate the dial until the **settings** icon is highlighted, press the **S** button.

The settings menu is displayed, with presets highlighted at the top of the list.

Shortcut to settings menu. Pressing F whilst in the home screen when the cursor is white will automatically display the settings menu



2. Rotate the dial to scroll up and down the list, until the desired setting is highlighted, press the **S** button to select. The desired settings menu is displayed.

*Pressing **F** returns to the home screen without making changes.*

EN

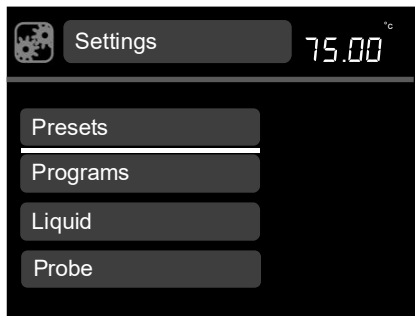
5.3 Viewing, editing and saving settings

5.3.1 Configuring a preset



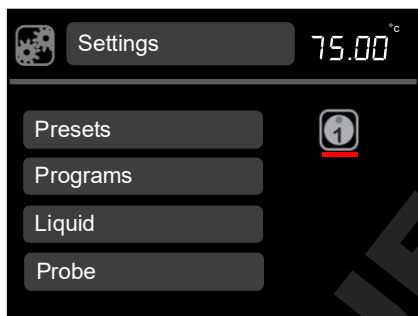
1. Rotate the dial until the **settings** icon is highlighted, press the **S** button.

Pressing F returns to the home screen without making changes.

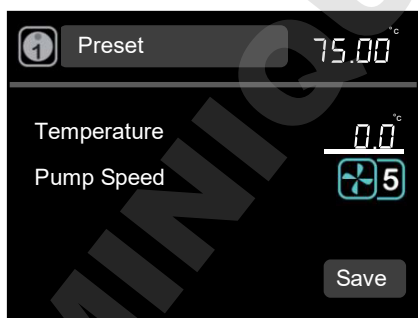


2. Rotate the dial to scroll up and down the list, until **presets** is highlighted, press the **S** to select.

Pressing F returns to the settings screen without making changes.

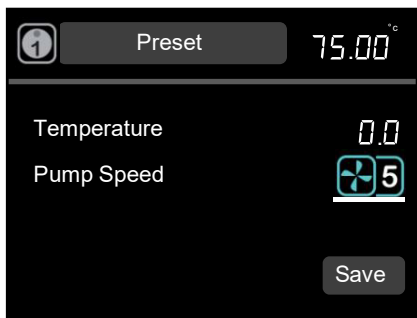


3. Rotate the dial to display preset icon 1, 2 or 3, press **S** to select.



4. **Temperature** is highlighted, press the **S** button. Rotate the dial to define the temperature. Press **S** to set.

Pressing F restores the original preset temperature with temperature highlighted.



5. Rotate the dial to highlight **pump speed**, press **S** to select. Rotate the dial to display pump speed (1 to 5), TXF200 only. Press **S** to set.

Pressing F restores the original preset pump speed with pump speed highlighted.

To save the temperature and pump speed configuration, rotate the dial to highlight **save** and press **S**.

The display returns to the settings menu screen.

Repeat procedure to configure presets 2 and 3

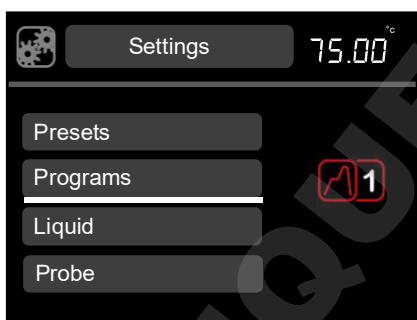
6. Press **F** to return to the home screen.

5.3.2 Creating a program (TXF200 only)



1. Rotate the dial until the **settings** icon is highlighted, press the **S** button.

Pressing F returns to the home screen without making changes.



2. Rotate the dial to scroll up and down the list, until **programs** is highlighted, press **S** to select.

The program icon is displayed

3. Rotate the dial to select the program to be created. Press **S** to select.

Segment 1 screen is displayed.

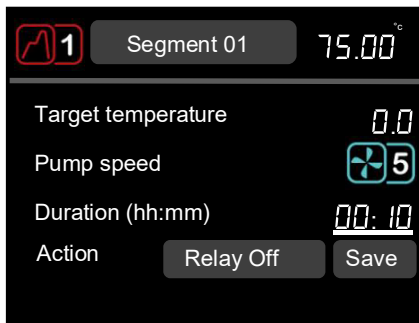


4. **Target temperature** is highlighted, press **S** to select.
5. Rotate the dial to define the target temperature. Press **S** to set.

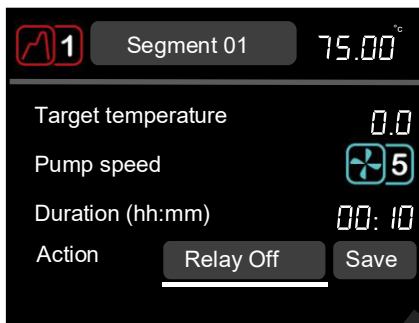
EN



6. Rotate the dial to highlight **pump speed**, press **S** to select
7. Rotate the dial to the desired pump speed (1 to 5). Press **S** to set.

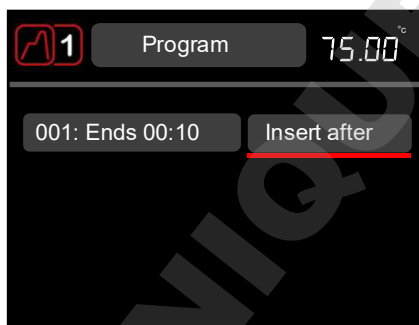


8. Rotate the dial to highlight **duration**, press **S** to select.
9. Rotate the dial to define the duration of the first segment (**hh:mm**). Minimum segment duration is 1 minute, maximum 99 hrs 59 mins. Press **S** to set.



10. Rotate the dial to highlight **action**, press **S** to select.
11. Rotate the dial to toggle between **relay on/off**. Press **S** to select.
12. Highlight **save** to store segment 1.

The program screen is displayed.



13. To insert a new segment, highlight segment 1, press **S**. Rotate the dial to display **insert after**, press **S** to select.

Segment 2 screen is displayed. Repeat steps 4 to 12 to create a new segment.

To dwell for a period at a particular temperature, set the temperature to the same value as the previous segment and then set the time to the required dwell period.

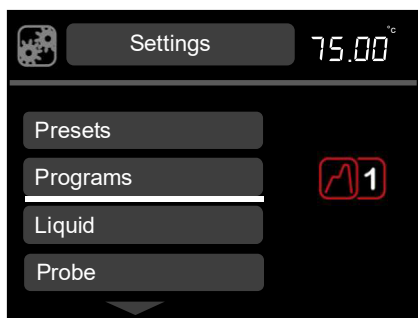
14. On completion of programming, press **F** twice to return to the home screen.

5.3.3 Editing a program (TXF200 only)



1. Rotate the dial until the **settings** icon is highlighted, press the **S** button.

*Pressing **F** returns to the home screen without making changes.*

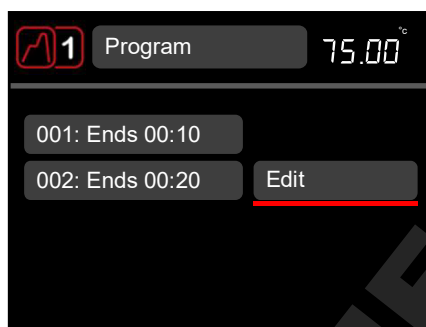


2. Rotate the dial to scroll up and down the list, until **programs** are highlighted, press **S** to select.

The program icon is displayed

3. Rotate the dial to select the program to be edited (1 to 10). Press **S** to select.

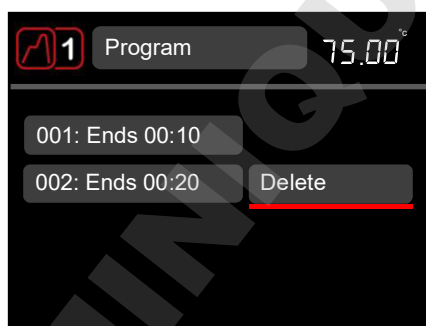
The program screen is displayed.



4. Highlight the segment to be edited, press **S**.
5. Rotate the dial to display **edit**, press **S** to select.

The segment screen is displayed and can be edited by following steps 4 to 12 in the previous section 'creating a program'.

6. Once editing is complete press **F** twice to return to the home screen.



7. To delete a segment, highlight a segment, press **S**.
 8. Rotate the dial to display **delete**, press **S** to select.
- The segment will be deleted.*
9. Press **F** twice to return to the home screen.

EN

5.3.4 Selecting a liquid type

The liquid type determines the limits of the set temperature range.

Selection of the liquid types below changes the settable temperature range as follows:

Liquid	Set temperature range
Water	0°C to 100°C
Water-Glycol	*-30°C to 70°C
Low Temp Oil	-50°C to 50°C
High Temp Oil	†70°C to 150°C (TX150) ‡70°C to 200°C (TXF200)
Override	§-50°C to 150°C (TX150) §-50°C to 200°C (TXF200)

* Water-Glycol (50% water, 50% antifreeze (inhibited ethylene glycol))

† High Temp Oil (silicone fluid with the following characteristics: viscosity 20 centistokes, flash point $\geq 230^{\circ}\text{C}$, fire point $\geq 280^{\circ}\text{C}$).

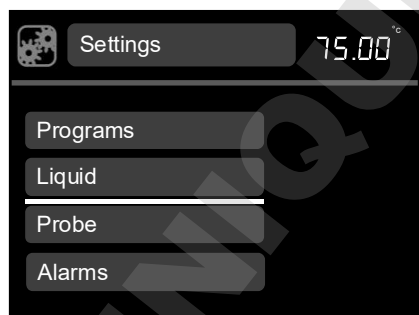
‡ High Temp Oil (silicone fluid with the following characteristics: viscosity 50 centistokes, flash point $\geq 285^{\circ}\text{C}$, fire point $\geq 340^{\circ}\text{C}$).

§ When set to Override it is the user's responsibility to select a suitable safe liquid.

See section 4.6 for full description of recommended bath liquids.

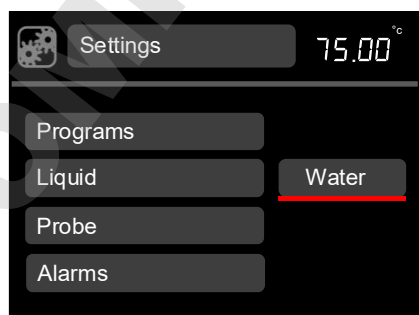


1. Rotate the dial until the **settings** icon is highlighted, press the **S** button.



2. Rotate the dial to scroll up and down the list until **liquid** is highlighted, press **S** to select.

Liquid options are displayed.



3. Rotate the dial to scroll through the liquid options, press **S** to save the selection.

The display returns to the settings screen.

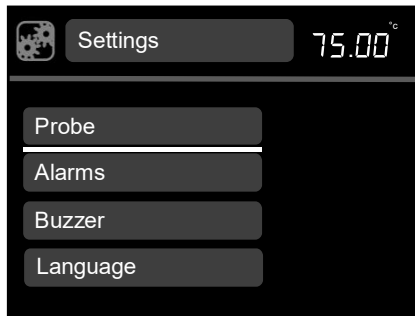
4. Press **F** to return to the home screen.

5.3.5 Selecting a temperature probe type

The bath temperature can be controlled using an internal or external temperature probe.

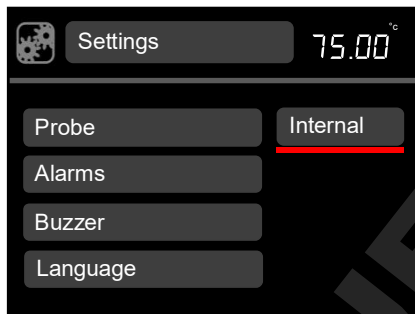


1. Rotate the dial until the **settings** icon is highlighted, press the **S** button.



2. Rotate the dial to scroll up and down the list until **probe** is highlighted, press **S** to select.

Probe options are displayed



3. Rotate the dial to scroll through the probe types (**external** or **internal**), press **S** to save the selection

The display returns to the settings screen.

The external probe icon will be displayed on the home screen

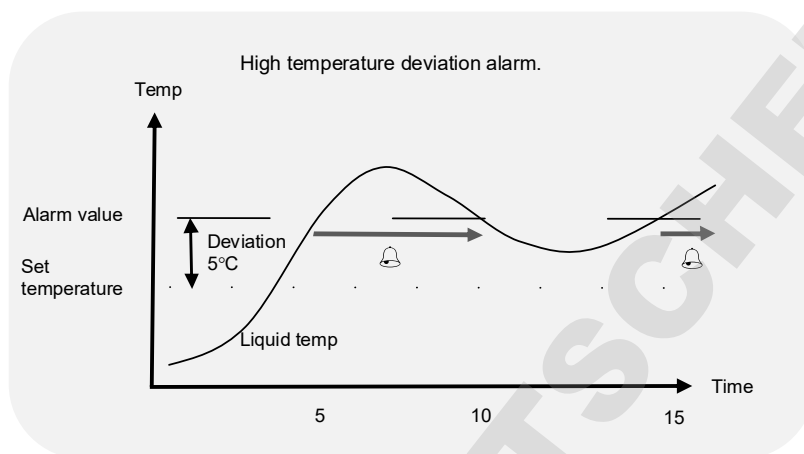
4. Press **F** to return to the home screen.

EN

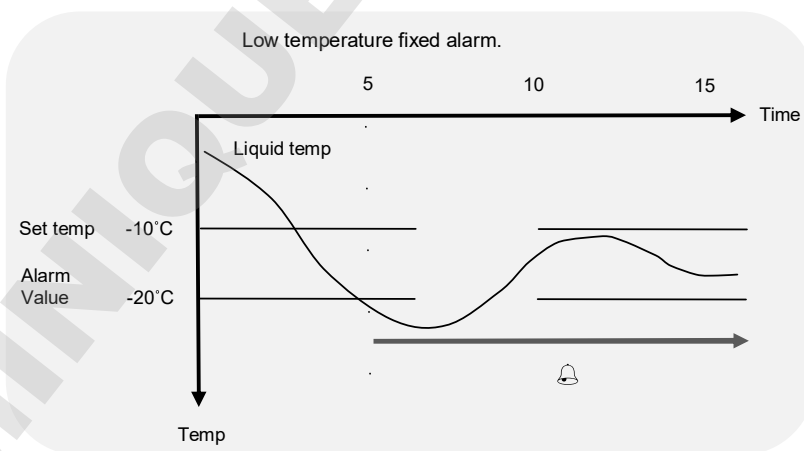
5.3.6 Configuring high and low temperature alarms

There are three functions in the alarm menu.

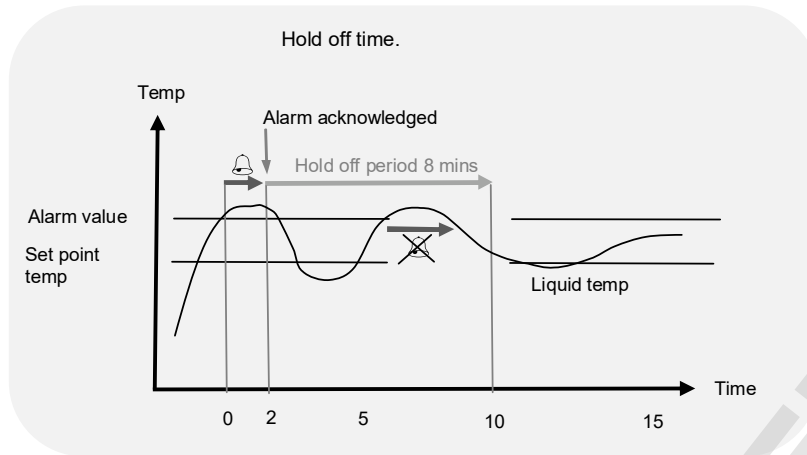
1. A high alarm function, which causes an alarm condition when the bath temperature goes higher than the alarm value. The alarm value can be set as a fixed temperature above the set temperature or a deviation offset value above the set temperature. Below is an example of a high temperature deviation alarm, where the deviation value has been set to 5°C.



2. A low alarm function, when the bath temperature goes lower than the alarm value. The alarm value can be set as a fixed temperature below the set temperature or a deviation offset value below the set temperature. Below is an example of a low temperature fixed alarm, where the fixed temperature value has been set to -20°C.



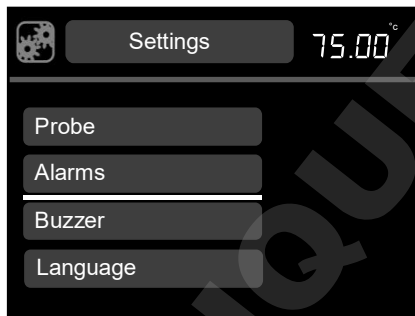
3. A hold-off time can be entered, which is a user adjustable time of between 0 and 21mins for which the alarms remain muted after either button has been pressed to acknowledge an alarm condition. If the bath returns to the value such that the alarm level is not exceeded the alarm will cancel. However, if the temperature remains outside the alarm level the alarm condition will re-occur after this hold-off time.



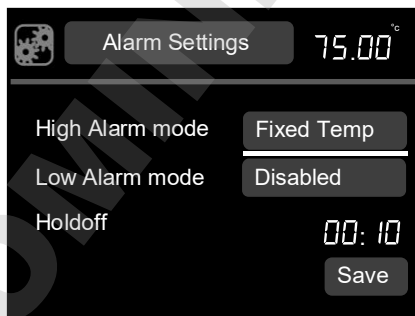
Each alarm can be programmed to latch, activate an audible buzzer and a relay. Alarms are cancelled by pressing the **F** or **S** button or if an alarm condition has been removed.



1. Rotate the dial until the **settings** icon is highlighted, press the **S** button.



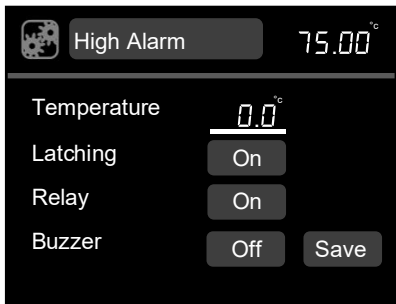
2. Rotate the dial to scroll up and down the list until **alarms** are highlighted, press **S** to select.



3. **High alarm mode** is highlighted, press **S** to select.
4. Rotate the dial to select **fixed temp, deviation or disabled**. Press **S** to select.

The high alarm screen is displayed

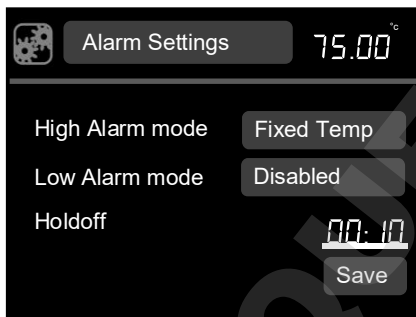
EN



5. **Temperature** is highlighted, press **S** to select.
6. Rotate the dial to define the temperature value, press **S** to set.
7. Rotate the dial to highlight **latching**, press **S** to select.
8. Rotating the dial will display **on/off**, press **S** to select.

When latching is on, a temperature alarm continues unless acknowledged by the user even if the temperature comes back in range

9. Rotate the dial to highlight **relay**, press **S** to select.
10. Rotating the dial will display **on/off**, press **S** to select.
11. Rotate the dial to select **buzzer**, press **S** to select.
12. Rotating the dial will display **on/off**, press **S** to select.
13. Rotate the dial to **save**, press **S**. The display returns to the alarm settings screen. The procedure can be repeated to configure a deviation alarm and for the low alarm function.



14. Rotate the dial to highlight **holdoff**, press **S** to select.
15. Rotate the dial to select a holdoff time (over a range of 10 seconds to 21 minutes), press **S** to select.

Rotate the dial to **save**, press **S** to save all settings.

The display will return to the settings menu

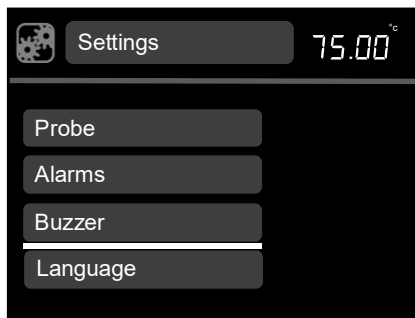
16. Press **F** to return to the home screen

5.3.7 Setting the buzzer volume level

Three buzzer volume levels are available, low, medium and high and off.

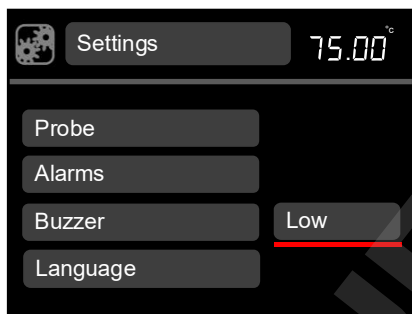


1. Rotate the dial until the **settings** icon is highlighted, press the **S** button.



2. Rotate the dial to scroll up and down the list until **buzzer** is highlighted, press **S** to select.

Volume options are displayed.



3. Rotate the dial to scroll through the volume levels (low, medium and high and off), press **S** to save the selection.

The display returns to the settings screen.

4. Press **F** to return to the home screen.

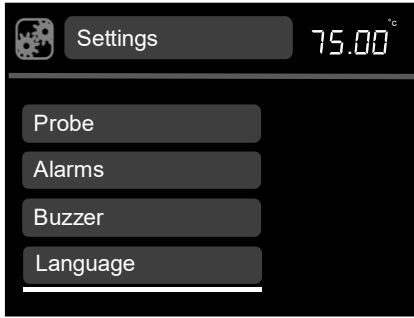
5.3.8 Selecting a language

Five language options are available, English, French, German, Italian and Spanish.



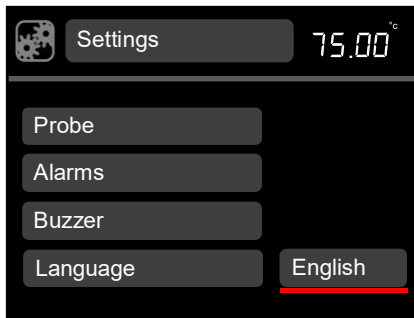
1. Rotate the dial until the **settings** icon is highlighted, press the **S** button.

EN



2. Rotate the dial to scroll up and down the list until **language** is highlighted, press **S** to select.

Language options are displayed.



3. Rotate the dial to scroll through the language options (**English, French, German, Italian and Spanish**) press **S** to save the selection.

The display returns to the settings screen.

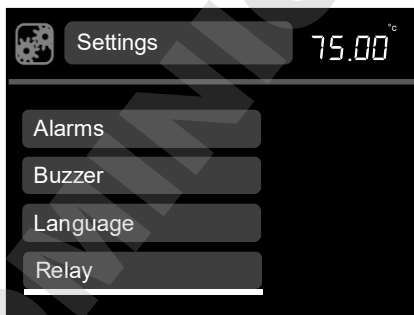
4. Press **F** to return to the home screen.

5.3.9 Relay test and configuration

The TX150 and TXF200 can be configured to switch a relay in the program function. This function can be tested manually outside the program function by following the instructions below.

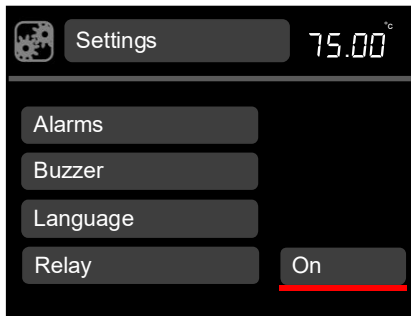


1. Rotate the dial until the **settings** icon is highlighted, press the **S** button.



2. Rotate the dial to scroll up and down the list until **relay** is highlighted, press **S** to select.

Relay options are displayed



3. Rotate the dial to toggle between on/off, press **S** to save the selection.

The display returns to the settings screen.

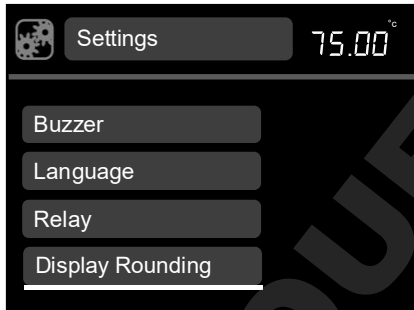
4. Press **F** to return to the home screen.

5.3.10 Display rounding

The TX150 and TXF200 can be configured to show a rounded temperature display rather than showing the minor changes that occur as the heater pulses to maintain the temperature.

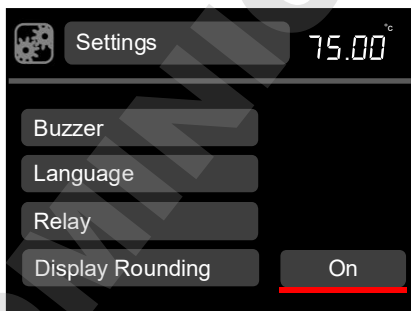


1. Rotate the dial until the **settings** icon is highlighted, press the **S** button.



2. Rotate the dial to scroll up and down the list until **display rounding** is highlighted, press **S** to select.

Display rounding options are displayed.



3. Rotate the dial to toggle between on and off, press **S** to save the selection.

The display returns to the settings screen.

4. Press **F** to return to the home screen.

EN

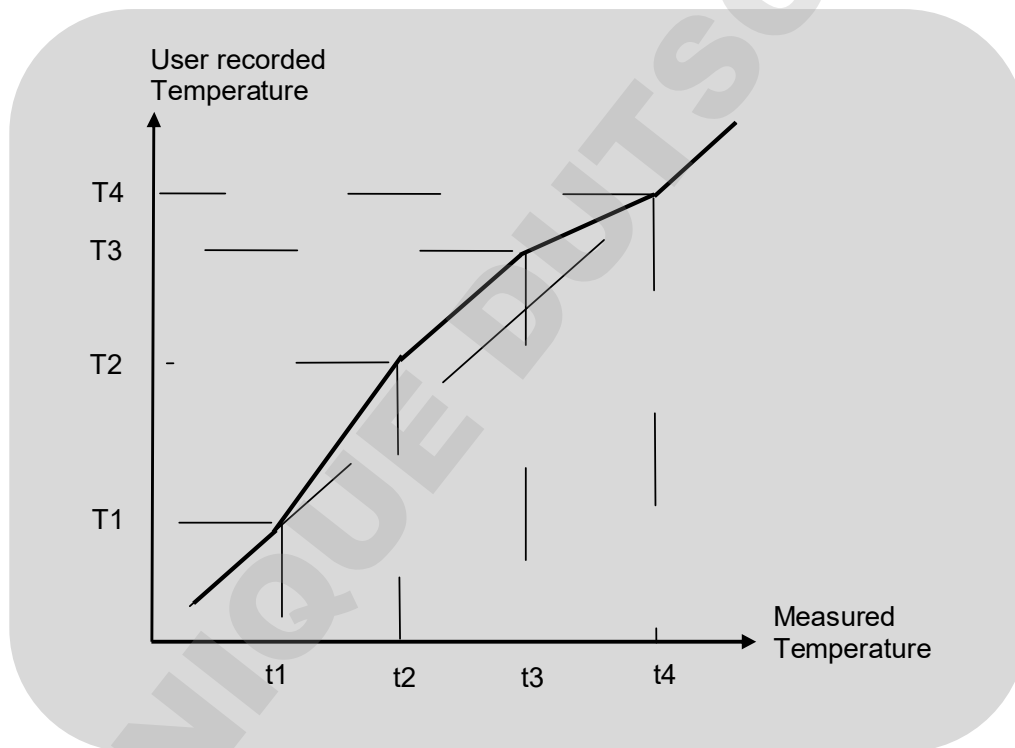
5.4 Completing a calibration

The TX150 & TXF200 allow up to five temperature points to be calibrated. The calibration menu can be accessed by simultaneously pressing the **F** and **S** buttons for 3 seconds

The calibration temperatures are constrained by the temperature limits of the liquid type setting. Calibration should be carried out using a traceable reference thermometer with an accuracy of at least 0.1°C . This thermometer should be held securely in the centre of the bath or vessel.

Two factory defined calibration points (20°C and 70°C) already exist and are displayed in the calibrate probe menu, these may be recalibrated if required and up to a further three calibration points added. Calibration points should be chosen to be at critical experimental temperatures where accuracy is important or at the extremes of the working range of used temperatures.

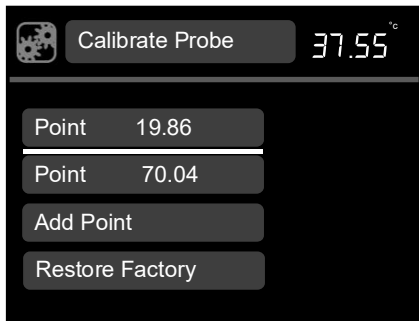
The TX150/TXF200 calculates the temperature at any point using calculated values that pass through each calibration point. This ensures precision at all critical experimental temperatures throughout the range in use. In the example below, 4 calibration points have been used.



Calibration points must be a minimum of 5°C apart and there must be at least 20°C between the highest and lowest points. Any points added that do not match these criteria will not be accepted by the unit.

Once set, calibration points can be changed or deleted but a minimum of 2 points must remain.

Prior to calibration, ensure the probe type to be calibrated is selected, (internal or external); the bath is set to the desired temperature and has been stable at the temperature for at least 5 minutes.

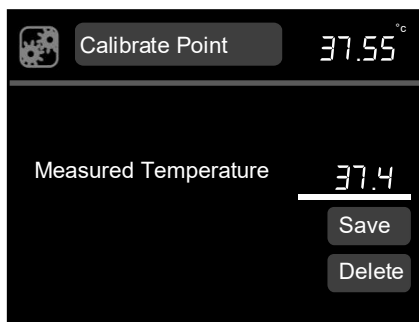


1. Press the **F** and **S** buttons simultaneously for 3 seconds.

The calibrate probe menu displays the factory defined calibration points and the current temperature of the bath in the top right corner of the screen.

2. Rotate the dial to highlight **add point**, press **S** to select.

The calibrate point menu is displayed. If an external probe has been selected the external probe icon will be displayed in the top left corner. Otherwise the settings icon will be displayed when calibrating the internal probe.



3. Rotate the dial to highlight **measured temperature**. Press **S** to select
4. Rotate the dial until the temperature being shown on the calibrated thermometer is displayed on screen. Press **S** to save the value.
5. Rotate the dial to highlight **save**, press **S** to select.

The display returns to the calibrate probe screen.

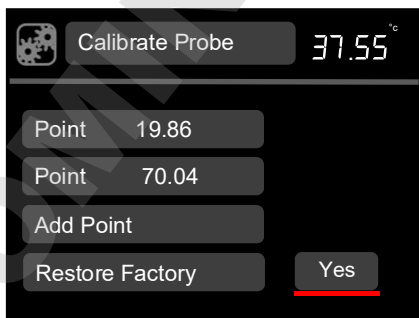
6. Press **F** to return to the home screen

*Further calibration points can be added by repeating steps 2 to 5. Calibration points can be deleted by selecting **delete** in the calibrate point screen.*

5.4.1 Restoring factory calibration settings

If the thermometer value is entered before the bath temperature is completely stable the calibration could be poor and liquid temperature readings will be incorrect. If the TX150/TXF200 is not in accordance with the thermometer following calibration then it may not have been successful and the unit should be reset, using the restore factory settings function.

EN



1. Press the **F** and **S** buttons simultaneously for 3 seconds.
2. Rotate the dial to highlight **restore factory**, press **S** to select.

Yes/No are displayed.

3. Rotate the dial to toggle to **yes**, press **S** to select. *Factory calibration values are restored.*
4. Press **F** to return to the home screen

6.0 Technical specifications

6.1 Operating conditions

Ambient temperature range	5 to 40°C
Altitude above sea level	Up to 2,000m (6,500ft)
Operating environment	Indoor use only
Maximum relative humidity	80% RH up to 31°C decreasing to 50% RH at 40°C

6.2 Electrical details

Mains supply: 220-240V @ 50/60Hz or 110-120V @ 50/60Hz
Pollution degree: 2
Installation category: II

Mains supply voltage fluctuations are not to exceed $\pm 10\%$ of the nominal supply voltage.

6.3 Product performance

	TX150	TX150L	TXF200	TXF200L
Settable temperature range	-50°C to 150°C		-50°C to 200°C	
Stability (DIN 12876)	$\pm 0.01^\circ\text{C}$			
Uniformity (DIN 12876)	$\pm 0.05^\circ\text{C}$			
Max pump head pressure	310mBar		530mBar	
Max pump flow rate	18l/min		22l/min (adjustable)	
Max current consumption	9A	12.5A	9A	12.5A
Heater power	1.8kW	1.4kW	1.8kW	1.4kW

6.4 Bath accessories information

	ST5	ST12	ST18	ST26	ST38
Tank capacity (litres)	5	12	18	26	38
Liquid depth min/max (mm)	85/140	85/140	75/130	125/180	125/180

	P5	P12	P18
Tank capacity (litres)	5	12	18
Liquid depth min/max (mm)*	85/140	85/140	85/140

7.0 Technical Tips

7.1 Which water should you use in your bath?

For the long-term reliability of water baths it is important to use oxygenated water that is free from ions and minerals that can cause corrosion of stainless steel. We recommend the use of distilled water and de-ionised water from modern ion exchange systems that do not use salt back flushing to regenerate the ion-exchange cartridges.

Stainless steel is protected from corrosion by a layer of chromium oxide. If the layer is damaged, oxygen present in water can reform the oxide layer. If the water is still or de-oxygenated, and the oxide layer is damaged, ions can corrode the stainless steel tank. If a water bath has been unused for some time, or water boiled, we recommend changing to fresh distilled water or correct de-ionised water.

Water normally contains calcium or magnesium ions. De-ionised water has most ions removed as indicated by its conductivity level; the purer the water the lower the conductivity. It is important to use only de-ionised water from an ion exchange system with replaceable cartridges. Do not use de-ionised water generated from an ion-exchange system that incorporates a salt back-flush system to regenerate the ion-exchange resin as this can leave sodium ions that are very corrosive to stainless steel.

7.2 How to prevent rust in water baths

Most Grant tanks, as well as immersed parts, are made from type 304 stainless steel, an extremely versatile general purpose grade of stainless steel. It is the excellent forming characteristic that has made this grade dominant in the manufacture of laboratory and industrial water baths, as well as domestic sinks and saucepans. Type 304 stainless steel is highly suitable for applications where hygiene is important; it exhibits good heat resistance and excellent resistance to corrosion.

However, despite resistance to general surface corrosion, stainless steel is susceptible to specific types of corrosion, in particular pitting (small pin hole style corrosion) and stress corrosion cracking. It can also undergo general corrosion in specific environments, such as one containing hydrochloric or sulphuric acids.

Stainless steel is protected by its high content of alloying elements, primarily chromium and nickel. Chromium is the most important with respect to corrosion resistance, although the nickel assists in allowing the chromium to do its job. The chromium forms an oxide layer on the surface of the steel, which inhibits further oxidation. This layer adheres extremely well to the metal substrate, but it is essential that it remains intact, and must be protected from various forms of damage.

If the surface chromium oxide layer becomes damaged, oxygen present in water can partially reform the oxide layer, so it is advisable to ensure that water is always fresh and well oxygenated. Baths that will be out of use for an extended period should be emptied, and all moisture should be wiped from the bottom of the tank.

In some cases a brown layer may appear on the surface of a stainless steel tank. In most of these cases this is not rust, but it may be a surface deposit of minerals from the local water supply, or ferrous particles or salts that have fallen into the tank. These surface deposits can usually be removed by using a household cleaner such as Duraglit or Silvo metal polish.

EN

7.3 How to prevent algae and bacteria

Water baths provide the ideal environment for the growth of micro-organisms. If left uncontrolled the growth of these organisms can result in a range of serious problems and health risks from pathogenic bacteria.

The growth of algae on the surface of parts will cause biofouling which can reduce performance. Micro-organisms that produce acidic metabolic by-products can cause bio-corrosion by depolarisation of metal surfaces.

There are a number of biocides available on the market.

8.0 Warranty information

When used in laboratory conditions according to this manual, this product is guaranteed for THREE YEARS against faulty materials or workmanship.

Extended warranty for years four and five can be purchased by contacting our sales department at labsales@grantinstruments.com.

9.0 Maintenance and service

9.1 Routine maintenance

The over-temperature cut-out on the TX150/TXF200 should be checked periodically by turning the over-temperature dial with a screwdriver anticlockwise until the alarm is triggered. The unit will sound a buzzer and "Overtemperature Alarm" will be shown on the display. The over-temperature dial should then be turned to 10°C above liquid temperature and the TX150/TXF200 powered off and back on to confirm that the cut-out can be reset correctly. If the alarm is triggered when the value indicated on the over-temperature dial is more than 10°C below the current temperature as indicated by the main display, then the unit should be checked by a competent person.

The float liquid level protection should also be checked periodically by lowering the level of liquid in the bath and noting that the "Low liquid alarm" is triggered with the top turn of the heater still immersed in the liquid. The float should also be checked periodically to ensure no limescale, dirt or debris could impede the operation at low liquid level.

When hoses are fitted to the pump they should be inspected periodically and replaced as necessary to avoid hose failure.

No other routine maintenance is required.

9.2 Cleaning

Clean the outside of the equipment with a damp cloth, using water only. Do not use chemical cleaning agents. Before using any other cleaning or decontamination method, check with Grant Instruments or your local representative to make sure that the proposed method will not damage the equipment. Scale on immersed parts can be removed using chemical de-scaling products designed for use on equipment that has metal parts.



De-scaling products may be toxic and manufacturer's instructions should always be followed

9.3 Fuses

The TX150/TXF200 fuses are internal and should not need to be replaced.

9.4 Replacing the mains cord

Any replacement mains cord used with the TX150 or TXF200 must meet the same specification as the one originally supplied with the unit to maintain the safety of the unit.

The cable must have the following markings; <HAR>, HO5VV-F 3Gx1mm² 90°C and be rated to carry 10A. The mains plug and IEC connector must carry approvals from a European certification body (e.g. BSI, VDE or equivalent).

9.5 Routine safety tests

If routine tests are to be made, we recommend a test of the integrity of the protective earth conductor and an insulation test at 500V DC. Routine flash tests are not recommended for any electrical equipment, because repeated high voltage tests degrade insulation materials.

9.6 Service

If service is required, switch off the unit and contact Grant Instruments or your local representative for repairs.

Please note, all returned units must be accompanied by a Return Materials Authorisation (RMA) number, obtainable by contacting the Grant service department (details below).

Service Department
Grant Instruments (Cambridge) Ltd
Shepreth
Cambridgeshire
SG8 6GB
UK

Tel: +44 (0) 1763 260 811
Fax: +44 (0) 1763 262 410
E-mail: labservice@grantinstruments.com





EN

10.0 Optional accessories





A full listing of product accessories and options is available in the Grant Scientific Reference Catalogue (a copy of which is available upon request) and on the Grant website at www.grantinstruments.com.

11.0 Troubleshooting

Symptom	Possible cause	Action required
Temp continues to rise when not expected	Set temp is higher than liquid temp	Check that the bath set temperature is correct (see section 5.2.9).
Set temperature too restricted	Liquid type set does not allow required set point	Change to different liquid type (see section 5.3.4).
Temperature does not rise when expected	Set temp is lower than liquid temp	Check that the bath set temperature is correct (see section 5.2.9).
	Set temperature is too close to ambient	Increase the set temperature (see section 5.2.9) or fit accessory cooling (see section 4.9).
Display shows "High Temperature Alarm"	High temperature warning alarm has tripped	<p>Check that the bath set temperature is correct (see section 5.2.9).</p> <p>Check that high temperature alarm is correct (section 5.3.6).</p> <p>Check that the liquid level in the bath is adequate (see section 6.4 for minimum fill levels).</p>
Display shows "Low Temperature Alarm"	Low temperature warning alarm has tripped	<p>Check that the bath set temperature is correct (see section 5.2.9).</p> <p>Check that low temperature alarm is correct (section 5.3.6).</p> <p>Check that the liquid level in the bath is adequate (see section 6.4 for minimum fill levels).</p>
Unit showing erratic temperatures	Calibration values not set correctly	Restore the factory calibration settings (see section 5.4.1) then re-calibrate if required (see section 5.4).
New calibration point is not saved	Incorrect calibration value	<p>The temperature calibration point is less than 20°C from an existing calibration point – choose a higher temperature (see section 5.4).</p> <p>The measured liquid temperature is more than 5°C away from selected calibration temperature.</p>
Only the Standby icon can be highlighted	Unit is in standby mode	Highlight and Select the Standby icon and Press "S" to exit Standby mode.
Icons can be highlighted but not selected	Program running	Wait until program has finished or stop program.

Symptom	Possible cause	Action required
Select a preset number but icon changes to “-“	Preset not setup The preset set temperature is not valid for the selected liquid	Select Presets in the Settings menu and configure a preset (see section 5.3.1). Select Liquid in the Settings menu and select a liquid which will operate at every target temperature (see section 5.3.4).
Select a program number but icon changes to “-“	Program not setup One or more program segments contain a target temperature which is not valid for the selected liquid	Select Programs in the Settings menu and configure a program (see section 5.3.2). Select Liquid in the Settings menu and select a liquid which will operate at every target temperature (see section 5.3.4).
Stirrer motor not rotating	Unit is in Standby Mode Stirring propeller or pump impeller is obstructed Faulty motor	Highlight the Standby Icon on the control screen and press S button to return to normal operation. Clear obstruction. Have a competent person check the motor or contact Grant.
Display shows “Over temperature Alarm”. 	Over-temperature cut-out has operated	Check the set temperature is correct and that the over-temperature cut-out temperature is set at least 5°C above the set temperature (see section 5.2.6 for setting instructions). If the over-temperature cut-out temperature is correctly set but the unit still shows a “Cut-Out” alarm then the unit has an internal fault and must be repaired before it is used again.
Display shows “Low liquid Alarm”. 	Liquid level has dropped below minimum level	Check that the liquid level in the bath is adequate (see section 6.4 for minimum fill levels).
Display shows “Set a valid temperature”. 	Liquid selection has been changed and the previous set temperature is not valid for the new liquid	Highlight the set temperature icon (which will be showing -.-) and set the required temperature.
Display shows “Internal/External Temp Diff Too Big”. 	There is a temperature difference of more than 10 degrees between the internal and external probe	Check the external probe is properly connected at the rear panel. Check the external probe is correctly positioned in the bath liquid and circulation is not restricted. If the external probe is not required, select the internal probe using the Settings menu.

EN

Symptom	Possible cause	Action required
Display shows "Internal Temperature Probe Fault" 	Faulty temperature probe	Have a competent person check the probe for an open or short circuit fault or contact Grant.
Display shows "External Temperature Probe Fault" 	External temperature probe not plugged in Faulty temperature probe	Check the external probe is properly connected at the rear panel. Have a competent person check the probe for an open or short circuit fault or contact Grant.
Display shows "Program Fault" 	One or more program segments contains an invalid setting or could not be read from the memory	Reload the program if it came from LabWise or edit each segment on the unit (TXF200 only)
Display shows "Overheating- Power reduced " 	Heating water at or near to boiling without lid Heating very large volumes of liquid with large thermal losses	Add a lid to reduce thermal losses and leave unit running with the "Overheating" warning present. If the alarm has not cleared within 1 hour contact Grant. Add measures to reduce thermal losses and leave unit running with the "Overheating" warning present. If the alarm has not cleared within 1 hour contact Grant.
Display shows "Service required 01"	Faulty fuse(s), relay or heater element	Have a competent person check the product or contact Grant.
Display shows "Service required 02"	Pump or propeller is obstructed Faulty motor	Remove obstruction. Have a competent person check the product or contact Grant.
Display shows "Cross-check Failure"	PCB fault	Have a competent person check the product or contact Grant.

For any other errors or service requests, please contact Grant Instruments service department.

12.0 Contact Grant Instruments

At Grant we are continuously trying to improve the performance we offer our customers. If you have any feedback on Grant's products or services we would like to hear from you. Please send all feedback to:

Quality Manager
Grant Instruments (Cambridge) Ltd
Shepreth
Cambridgeshire
SG8 6GB
UK

Tel: +44 (0) 1763 260 811
Fax: +44 (0) 1763 262 410
E-mail: feedback@grantinstruments.com

13.0 Compliance

WEEE directive

Grant Instruments complies fully with the Waste Electrical & Electronic Equipment (WEEE) regulations 2006. We are a member of the B2B compliance scheme (Scheme Approval Number WEE/MP3338PT/SCH), which handle our WEEE obligations on our behalf. Grant Instruments have been issued with a unique registration number by the Environmental Agency, this reference number is WEE/GA0048TZ.

For information regarding WEEE collections in the UK please contact our B2B Compliance Scheme directly on 01691 676 124.
For other countries please contact your equipment supplier.

For General WEEE information please visit: www.b2bcompliance.org.uk

RoHS directive

All the products covered by this manual comply with the requirements of the RoHS Directive (Directive 2002/95/EC).

Electrical safety and electromagnetic compatibility

All the products covered by this manual comply with the requirements of the Low Voltage Directive (2006/95/EC) for electrical safety and the EMC directive (2004/108/EC) for electromagnetic compatibility. See the Declaration of Conformity on the inside back page.

EN

Grant Instruments, dont le siège se situe près de Cambridge en Angleterre, figure parmi les leaders mondiaux du secteur de la conception et de la fabrication d'équipements pour la préparation d'échantillons, les analyses scientifiques, l'acquisition et l'analyse de données, offrant des solutions aux marchés scientifiques et industriels mondiaux.

Respect des normes et de la qualité

La marque et la réputation de Grant sont fondées sur la qualité, la fiabilité et l'exactitude. Nous vérifions que nos produits satisfont strictement à toutes les normes de sécurité internationales.

Nous prêtons une attention particulière aux tests de sécurité des produits et demeurons en première ligne pour l'homologation des équipements de laboratoire selon les normes CEI 61010-1. La société est soucieuse d'exploiter son laboratoire de tests de sécurité conformément aux exigences de la norme ISO 17025.

Grant dispose d'un système de gestion de la qualité conforme aux exigences de la norme BS EN ISO 9001:2008.

Outre le respect des normes, Grant Instruments se fait un devoir d'améliorer continuellement tous les aspects de son activité, en mettant notamment l'accent sur l'écoute des clients et des fournisseurs, et en concevant des systèmes et des services qui répondent à leurs besoins.

Si vous avez des remarques concernant les produits ou les services de Grant, nous serons heureux d'en prendre connaissance. Merci d'adresser vos commentaires à :

Quality Manager
Grant Instruments (Cambridge) Ltd
Shepreth
Cambridgeshire
SG8 6GB
ROYAUME-UNI

Tél. : +44 (0) 1763 260 811
Fax : +44 (0) 1763 262 410
E-mail: feedback@grantinstruments.com

Sommaire

Sommaire	2
1.0 Utilisation des produits	4
2.0 Mode d'emploi du présent manuel	4
3.0 Informations relatives à la sécurité	5
3.1 Normes de sécurité	5
3.2 Symboles de sécurité	5
3.3 Avertissements relatifs à la sécurité	5
4.0 Instructions d'utilisation	6
4.1 Instructions de déballage	6
4.2 Installation d'un thermostat sur les bains ST	6
4.3 Installation d'un thermostat sur les bains P	7
4.4 Installation d'un thermostat sur les bains génériques	7
4.5 Retrait du thermostat de la plaque de pontage	8
4.6 Liquides recommandés	8
4.7 Installation	9
4.8 Alimentation électrique	9
4.9 Utilisation d'un dispositif de refroidissement (C1G, C2G, CW5)	9
5.0 Procédures de fonctionnement	10
5.1 Fonctionnement	10
5.1.1 Niveau de liquide	10
5.1.2 Fonctionnement au-dessus de 60 °C	10
5.1.3 Fonctionnement à basses températures	10
5.1.4 Utilisation de la pompe	10
5.1.5 Utilisation de la sortie relais de commutation	11
5.1.6 Vidange des bains	12
5.1.7 Réglage et mise en marche	12
5.1.8 Perte de puissance	13
5.2 Utilisation des thermostats TX150 et TXF200	13
5.2.1 Panneau de commande avant	13
5.2.2 Connexions du panneau arrière	14
5.2.3 Ports de communication	14
5.2.4 Port relais de commutation	14
5.2.5 Entrée pour sonde externe	14
5.2.6 Réglage du thermostat de surchauffe	15
5.2.7 Affichage Explication des icônes de l'écran	15
5.2.8 Description de l'interface utilisateur et des commandes	16
5.2.9 Réglage de la température	16
5.2.10 Réglage de la vitesse de la pompe (modèle TXF200 uniquement)	16
5.2.11 Exécution d'un bain préréglé	17
5.2.12 Lancement d'une minuterie avec compte à rebours	17
5.2.13 Lancement d'un programme	18
5.2.14 Activation du mode Veille	19
5.2.15 Accès au menu des paramètres	19
5.3 Visualisation, modification et enregistrement des paramètres	21
5.3.1 Configuration d'un préréglage	21
5.3.2 Création d'un programme (modèle TXF200 uniquement)	22
5.3.3 Modification d'un programme (modèle TXF200 uniquement)	24
5.3.4 Sélection du type de liquide	24
5.3.5 Sélection d'un type de sonde thermique	26
5.3.6 Configuration des alarmes de température basse et haute	27
5.3.7 Réglage du volume du signal sonore	30
5.3.8 Sélection d'une langue	30
5.3.9 Test et configuration du relais	31
5.3.10 Affichage arrondi	32

5.4	Réalisation d'un étalonnage	33
5.4.1	Restauration des paramètres d'étalonnage d'usine	34
6.0	Caractéristiques techniques	35
6.1	Conditions d'utilisation	35
6.2	Caractéristiques électriques	35
6.3	Performance du produit	35
6.4	Informations relatives aux accessoires de bain	35
7.0	Conseils techniques	36
7.1	Quelle eau utiliser dans le bain ?	36
7.2	Comment empêcher les bains à eau de rouiller	36
7.3	Comment éviter les algues et les bactéries	37
8.0	Garantie	37
9.0	Entretien et réparation	37
9.1	Entretien systématique	37
9.2	Nettoyage	37
9.3	Fusibles	38
9.4	Remplacement des cordons d'alimentation secteur	38
9.5	Tests de sécurité systématiques	38
9.6	Réparation	38
10.0	Accessoires en option	38
11.0	Recherche de panne	39
12.0	Contacteur Grant Instruments	42
13.0	Conformité	42

1.0 Utilisation des produits

Le présent manuel d'utilisation couvre les produits suivants :

- TX150 et TX150L
- TXF200 et TXF200L

Ces produits sont des thermostats à immersion de précision, conçus pour être utilisés avec des bains et des circulateurs en laboratoire par des utilisateurs professionnels.

2.0 Mode d'emploi du présent manuel

Ce manuel d'utilisation permet de déballer, d'installer et d'utiliser correctement et en toute sécurité les thermostats à immersion pré-cités. Les informations de sécurité importantes, les symboles et les avertissements sont indiqués ci-après et doivent être consultés avec attention. Le chapitre 4 fournit des informations sur la procédure correcte de déballage et d'installation du produit. Le chapitre 5 fournit des informations concernant le fonctionnement des modèles TX150 et TXF200. Les spécifications et conseils techniques des produits sont indiqués aux chapitres 6 et 7. Ce produit dispose d'une garantie de TROIS ANS (détaillée au chapitre 8). Un formulaire en ligne d'enregistrement de la garantie doit être rempli sur le site www.grantinstruments.com.

Pour toute questions à caractère technique ou autre qui ne trouverait pas de réponse dans le présent manuel, n'hésitez pas à contacter Grant Instruments ou votre distributeur local qui sera en mesure de vous apporter toute information complémentaire.

FR

3.0 Informations relatives à la sécurité

3.1 Normes de sécurité

Les thermostats à immersion GRANT sont conformes aux exigences de la norme de sécurité internationale CEI 61010 concernant les normes de sécurité de l'équipement électrique pour la mesure, la régulation et l'utilisation en laboratoire. Ils respectent également les normes nationales équivalentes, notamment :

EN 61010-2-010
UL 61010A-2-010
CAN/CSA-C22.2 NO. 61010-2-010-04.

3.2 Symboles de sécurité

Les symboles ci-dessous figurent sur l'équipement, comme dans le présent manuel, pour indiquer :



Attention : les surfaces et les liquides conducteurs de chaleur peuvent être chauds pendant et après une procédure.



Lisez ce manuel avant d'utiliser le bain.



Avertissement important relatif à la sécurité.

3.3 Avertissements relatifs à la sécurité



Lisez attentivement l'intégralité de ces instructions dont le non-respect peut compromettre la sécurité.



Avec les thermostats TX150/TXF200, il convient d'utiliser uniquement les liquides indiqués dans les instructions d'utilisation, dans les limites des plages de températures spécifiées. N'inhalez pas les vapeurs dégagées, qui peuvent être toxiques. Les liquides doivent être éliminés de façon sécuritaire, puis remplacés.



N'utilisez pas le modèle TX150/TXF200 avec des liquides inflammables conducteurs de chaleur.



N'utilisez pas le modèle TX150/TXF200 pour chauffer une quelconque matière susceptible de provoquer un incendie ou toute autre catastrophe.



N'utilisez pas l'équipement dans une zone abritant des mélanges chimiques agressifs ou explosifs.



En cas de renversement d'un liquide potentiellement dangereux sur ou dans l'équipement, débranchez ce dernier de l'alimentation électrique et faites-le vérifier par une personne qualifiée.



Il incombe à l'utilisateur d'effectuer la décontamination appropriée lorsqu'un produit dangereux est renversé sur l'équipement.



Si un message d'avertissement apparaît à l'écran, ne touchez pas le liquide ou la base de la cuve, qui peuvent être extrêmement chauds.



Remplissez avec précaution, car l'eau chaude peut provoquer des éclaboussures de gouttelettes extrêmement chaudes et de vapeur brûlante.



Ne touchez pas les surfaces chauffantes pendant le fonctionnement à haute température.

4.0 Instructions d'utilisation

4.1 Instructions de déballage

L'équipement standard comprend :

- un thermostat à immersion (modèle TX150 ou TXF200)
- des plaques de sortie de pompe
- un cordon d'alimentation secteur avec fiche
- un manuel d'utilisation
- Guide de démarrage rapide

Les accessoires des bain ST comprennent :

- un bain en acier inoxydable
- une plaque de pontage
- un plateau de circulation (modèles ST18, ST26 et ST38 uniquement).

Les accessoires des bains P comprennent :

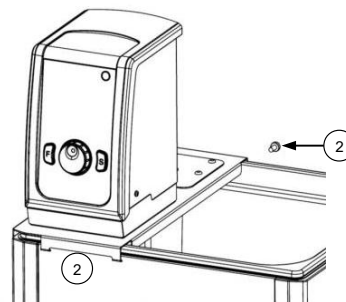
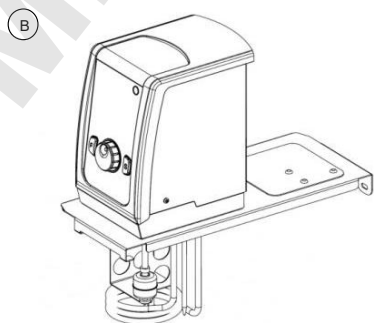
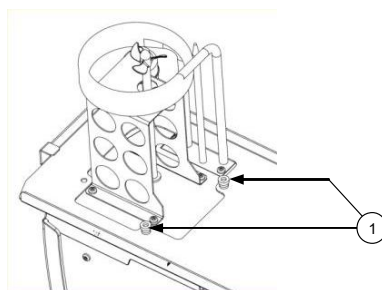
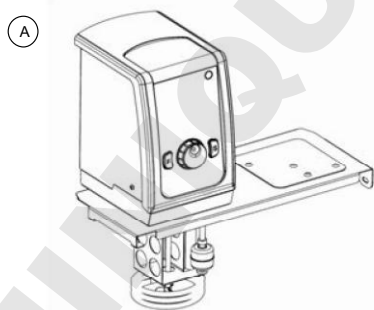
- un bain en plastique
- une plaque de pontage.

Retirez l'emballage avec soin, et conservez-le pour une expédition ou un stockage ultérieur(e) de l'équipement.

4.2 Installation d'un thermostat sur les bains ST

Le thermostat TX150/TXF200 peut être installé sur les bains en acier inoxydable ST5, ST12, ST18, ST26 et ST38 selon deux orientations pratiques : commandes sur le côté intérieur du bain (A) ou sur le côté extérieur (B). Procédez comme suit :

1. Introduisez le thermostat TX150/TXF200 dans l'ouverture de la plaque de pontage et alignez-le sur les vis filetées. Vissez les écrous de serrage manuellement (1). N'utilisez pas d'outils.
2. Installez cet ensemble au niveau des ouvertures sur les rebords d'un bain ST et sécurisez-le en utilisant les vis fournies pour ancrer l'ensemble à l'arrière du bain (2).



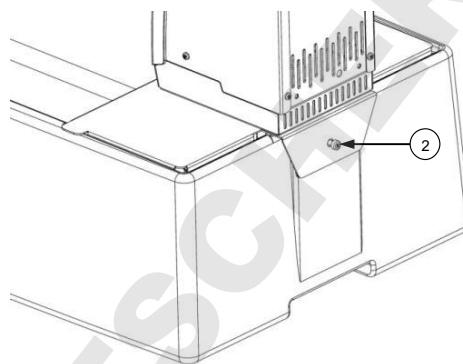
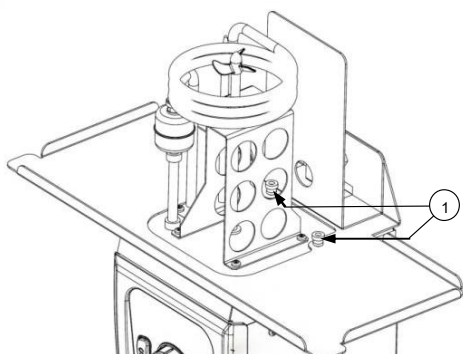
FR

Fixez le plateau de circulation à la base de la cuve, la grande découpe du plateau sous le panneau de commande (modèles ST18, ST26 et ST38 uniquement).

4.3 Installation d'un thermostat sur les bains P

Le thermostat TX150/TXF200 peut être installé sur les bains en plastique P5, P12 et P18 comme suit :

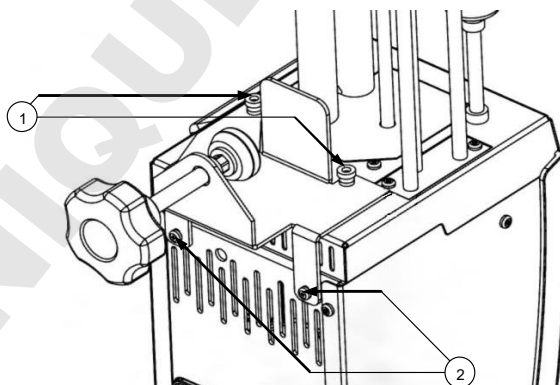
1. Introduisez le thermostat TX150/TXF200 dans l'ouverture de la plaque de pontage et alignez-le sur les vis filetées. Vissez les écrous de serrage manuellement (1) (n'utilisez pas d'outils).
2. Installez cet ensemble sur les rebords d'un bain P et sécurisez-le en utilisant les vis fournies pour ancrer l'ensemble à l'arrière du bain (2).



4.4 Installation d'un thermostat sur les bains génériques

Un dispositif de serrage peut être placé sur le thermostat TX150/TXF200 pour permettre l'installation de ce dernier sur un bain non-Grant ou un récipient dont la paroi excède 30 mm. Placez le dispositif de serrage sur le thermostat TX150/TXF200 comme suit :

1. Placez le dispositif de serrage sur les vis filetées à la base du thermostat TX150/TXF200. Utilisez les écrous de serrage pour fixer l'ensemble manuellement (n'utilisez pas d'outils).
2. Utilisez les vis fournies pour ancrer le dispositif de serrage à l'arrière du thermostat TX150/TXF200.



Veillez à ne pas visser le dispositif de serrage excessivement pour éviter de le détériorer ou de détériorer le récipient.



Le récipient contenant des liquides sur lequel l'unité est montée doit présenter la résistance mécanique, chimique et thermique requise.

Le dispositif de serrage ne doit pas être lavé dans un lave-vaisselle ni nettoyé à l'aide d'un détartrant. La tige filetée du dispositif de serrage ne doit pas être immergée. Après nettoyage, la tige filetée et le dispositif de serrage doivent impérativement être séchés. La partie filetée peut être lubrifiée à l'aide d'une petite quantité d'huile pour machine à coudre.

4.5 Retrait du thermostat de la plaque de pontage

Laissez le liquide refroidir avant de retirer le thermostat TX150/TXF200 de la plaque de pontage. Retirez soigneusement l'ensemble thermostat TX150/TXF200 et plaque de pontage du bain ou du récipient. Faites attention : la petite quantité de liquide accumulée dans la pompe fuit lors du maniement de l'unité. Dévissez les écrous de serrage et déposez la plaque de pontage. Vissez les écrous de serrage sur les tiges filetées pour éviter de les égarer.

4.6 Liquides recommandés

Le tableau ci-dessous liste les liquides recommandés avec les différentes plages de températures correspondantes. Vérifiez systématiquement que le liquide utilisé est approprié et utilisable en toute sécurité pour la température de fonctionnement de l'unité. Si des liquides conducteurs de chaleur non recommandés sont utilisés, il incombe à l'utilisateur de procéder à une recherche pour s'assurer que les liquides en question sont compatibles avec le thermostat TX150/TXF200 et le récipient.



Pour assurer une protection, le coupe-circuit de surchauffe doit être réglé de manière appropriée en fonction du liquide conducteur de chaleur sélectionné (consultez le tableau).



Si vous devez utiliser des liquides conducteurs de chaleur non recommandés, il vous faudra régler le coupe-circuit de surchauffe à une valeur inférieure ou égale à 25°C en dessous de la valeur du point d'inflammation du liquide. Si vous avez des doutes, n'hésitez pas à contacter l'équipe du support technique de Grant.



Utilisez l'extraction des fumées lors de l'utilisation des silicone liquides à des températures élevées

Plage de températures	Liquide recommandé	Réglage du coupe-circuit de surchauffe	Directives
-50°C à 50°C	Huile de silicone, basse viscosité	60°C	L'huile de silicone M3 de Bayer est appropriée.
-30°C à 70°C	50 % d'eau, 50 % d'antigel (éthylène glycol inhibé)	80°C	AVERTISSEMENT : L'éthylène glycol est toxique – suivez les instructions du fabricant. Pour une mise au rebut appropriée, respectez les réglementations locales en vigueur. Utilisez un couvercle pour réduire la dilution du mélange provoquée par la condensation de la vapeur d'eau dans l'air, et pour maintenir un taux de refroidissement bas.
0°C à 30°C	80% d'eau, 20% d'antigel (éthylène glycol inhibé)	40°C	
5°C à 99,9°C	Eau*	110°C	L'eau peut être utilisée, mais avec prudence lorsque sa température excède 60°C – la vapeur d'eau représentant un danger potentiel. Utilisez un couvercle ou des sphères en polypropylène au-dessus de 60°C pour assurer de bons résultats et réduire l'évaporation. Aux températures avoisinant 99°C, la performance thermique sera affectée en raison d'une ébullition localisée. *Les unités ne doivent pas être utilisées pour faire bouillir de l'eau.
70°C à 150°C	Silicone liquide Viscosité ~20 CS Point d'éclair ≥ 230°C Point d'inflammation ≥ 280°C	160°C	Le silicone liquide Dow Corning DC200/20 est approprié – suivez les instructions du fabricant. Pour une mise au rebut appropriée, respectez les réglementations locales en vigueur.
70°C à 200°C	Silicone liquide Viscosité 50 CS Point d'éclair ≥ 285°C ; point d'inflammation ≥ 340°C	210°C	Le silicone liquide Baysilone M 50 EL est approprié – suivez les instructions du fabricant. Pour une mise au rebut appropriée, respectez les réglementations locales en vigueur.



Plage de températures	Liquide recommandé	Réglage du coupe-circuit de surchauffe	Directives
-50 °C à 150 °C ou 200 °C	Aucun	Tel que requis pour la sécurité	Annuler (les limites de température) – L'utilisateur doit choisir un liquide approprié et sûr et effectuer sa propre évaluation des risques avant utilisation. Notez que le contrôle peut être affecté lors de l'utilisation de ce paramètre, les caractéristiques du liquide étant inconnues.

4.7 Installation



Placez le bain à eau sur une surface plane ignifuge. Assurez-vous que la prise d'alimentation et l'interrupteur situé à l'arrière de l'unité sont aisément accessibles.



Si l'équipement a été transporté ou stocké dans des conditions de froid ou d'humidité, de la condensation peut se former à l'intérieur. Dans ce cas, laissez la condensation s'évaporer pendant 2 heures au moins à température ambiante avant d'utiliser l'équipement.



Ne bloquez pas et ne bouchez pas les fentes d'aération.

4.8 Alimentation électrique



Vérifiez que la tension d'alimentation indiquée sur l'étiquette du numéro de série et le type de fiche électrique sont adaptés à votre alimentation secteur, qui doit être équipée d'une broche de terre.



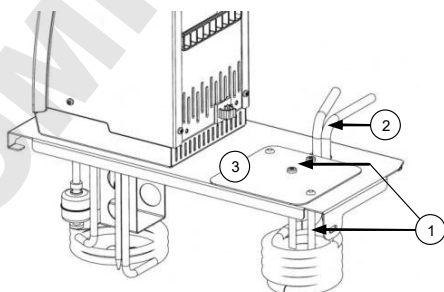
Le thermostat TX150/TXF200 doit être uniquement raccordé à l'alimentation secteur par le biais du cordon d'alimentation fourni ou de tout autre cordon doté de caractéristiques similaires (consultez le chapitre 9.4)

4.9 Utilisation d'un dispositif de refroidissement (C1G, C2G, CW5)

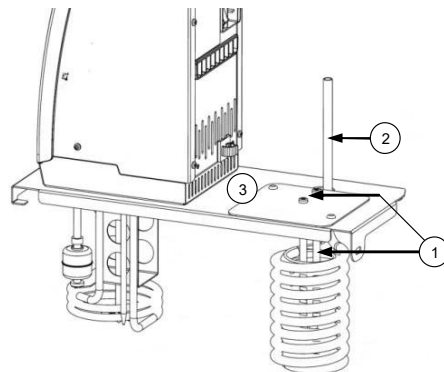
L'utilisation d'un dispositif de refroidissement s'avère indispensable lorsque la température de fonctionnement est inférieure à la température ambiante. Des refroidisseurs par trempage (C1G et C2G) peuvent être utilisés pour des procédures jusqu'à -15°C. Un serpentin de refroidissement d'eau (CW5) peut être utilisé pour des procédures à, ou avoisinant, la température ambiante. Les serpentins peuvent être installés comme suit :

1. Fixez la tige d'installation du serpentin en forme de U à la plaque du couvercle à l'aide des 2 écrous de serrage fournis (1).
2. Placez le serpentin de refroidissement à travers les ouvertures de la plaques en alignant les tuyaux de sortie sur l'ouverture pratiquée à cet effet (2).
3. Installez la plaque du couvercle (3) sur la plaque de pontage et sécurisez-la à l'aide des écrous fournis. La tige d'installation du serpentin doit être en contact étroit avec l'intérieur du serpentin pour lui conférer un support rigide. Avant la procédure, assurez-vous que le serpentin est maintenu d'une manière adéquate et sécuritaire.

CW5



C1G et C2G



5.0 Procédures de fonctionnement

5.1 Fonctionnement

5.1.1 Niveau de liquide

Les niveaux de liquide minimal et maximal des bains Grant sont définis au chapitre 6.4. Le niveau de liquide doit impérativement être maintenu dans les limites de ces plages. Ces critères de niveau s'appliquent aussi bien lorsque le bain est vide de flacons que lorsqu'il en contient une quantité maximale. Si vous utilisez des liquides susceptibles de s'évaporer, une vérification du niveau de liquide ainsi qu'un remplissage périodiques s'imposent. Le contacteur du flotteur de détection de niveau de liquide insuffisant active une alarme si le niveau de liquide descend en dessous du niveau minimal requis ; le chauffage de l'unité est éteint et le contrôle thermique arrêté.

5.1.2 Fonctionnement au-dessus de 60 °C

Au-dessus de 60°C, un couvercle ou des sphères en polypropylène doivent être utilisés pour maintenir le contrôle thermique et permettre au bain d'atteindre la valeur de consigne de la température du liquide. Ainsi, en prévenant une évaporation excessive, l'énergie est économisée et la fréquence de remplissage du bain réduite. Par mesure de précaution, le thermostat TX150/TF200 peut afficher l'avertissement « Overheating-power reduced » (Surchauffe - Puissance calorifique réduite) si un couvercle ou des sphères en polypropylène ne sont pas utilisés et que de l'eau est portée au point d'ébullition (ou approchant celui-ci) sur une période étendue ou que de grands volumes de liquides sont chauffés en entraînant une perte thermique importante. Dans pareil cas, la puissance calorifique (de chauffe) est diminuée de 50 %. Consultez le chapitre 11 pour de plus amples détails.

Des précautions doivent être prises pour s'assurer que les orifices d'aération arrière sont bien dégagés et pour minimiser la pénétration de vapeur ou de fumées lorsque l'appareil fonctionne avec de l'eau portée au point d'ébullition (ou approchant celui-ci) ou avec d'autres liquides qui s'évaporent.



Faites preuve de prudence lorsque vous soulevez et retirez le couvercle, qui peut être chaud. Les vapeurs peuvent provoquer des brûlures.

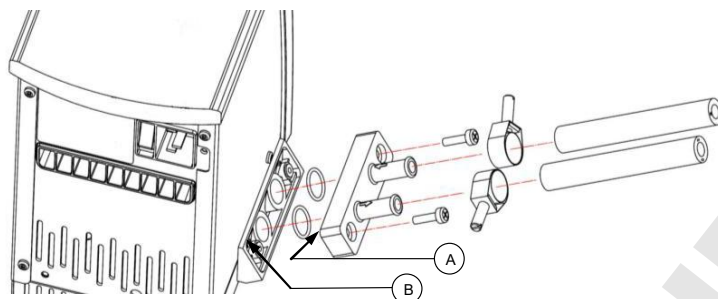
5.1.3 Fonctionnement à basses températures

L'utilisation d'un dispositif de refroidissement est indispensable lorsque la température de fonctionnement est inférieure ou égale à la température ambiante. La température de fonctionnement minimale sans dispositif de refroidissement dépend de la capacité volumique du bain. La température de fonctionnement minimale des bains de petite capacité (P5 et ST5) est de 10°C environ au-dessus de la température ambiante sans couvercle, et de 15°C environ au-dessus de la température ambiante avec couvercle. Des bains d'une capacité volumique différente peuvent être utilisés à des températures de 5°C au-dessus de la température ambiante.

5.1.4 Utilisation de la pompe

Le modèle TX150/TF200 permet le pompage d'un liquide dans un système externe fermé (non-ouvert à l'atmosphère). Il peut être utilisé pour la circulation de liquides à travers un réservoir externe ouvert uniquement si une conduite de retour d'alimentation par gravité est présente. Une évaluation de tout système ouvert s'impose pour s'assurer que les niveaux de liquides sont stables pendant que l'appareil fonctionne, et pour écarter tout risque de fonctionnement à sec ou de débordement du réservoir. La pompe est installée à l'aide d'une plaque de clamping (fixation standard). Installez une plaque

de raccordement de pompe comme indiqué ci-dessous. Remarque : les plaques de clamping/raccordement sont dotées d'une ouverture (repère A, schéma ci-dessous) pour faciliter l'alignement avec le corps de la pompe. Il importe de vérifier que l'ouverture est alignée avec les tiges de fixation correspondantes (repère B, schéma ci-dessous) sur le corps de la pompe. Le non-respect de cette recommandation entraînera des fuites au niveau du raccordement. Conservez la plaque de clamping de la pompe pour la remonter lorsque la pompe n'est pas requise.



Utilisez toujours des connecteurs et des tuyaux de pompe appropriés pour la température de fonctionnement et le liquide utilisés. Vérifiez que les raccordement des tuyaux sont adéquats.

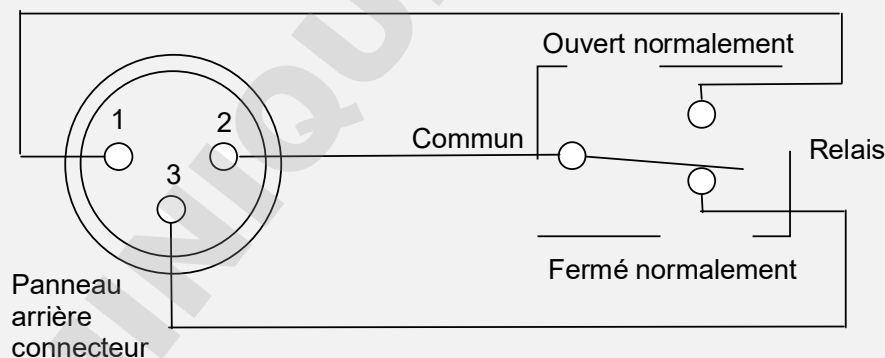


Ne débranchez jamais de conduites ou de tuyaux contenant un liquide très chaud ou très froid, ou lorsque l'unité TX150/TXF200 effectue le pompage.

Le pompage de liquides conducteurs de chaleur circulant dans un système externe peut induire des risques sécuritaires hors du contrôle de Grant Instruments. L'utilisateur doit impérativement procéder à une estimation des risques inhérents à l'installation de l'équipement dans son ensemble pour s'assurer que des matériaux de capacité adéquate ont été utilisés et que le système peut être employé en toute sécurité.

5.1.5 Utilisation de la sortie relais de commutation

Un relais interne fournit des contacts de commutation utilisables pour contrôler tout équipement externe. Les connexions de broches du connecteur circulaire à triple broche sur le panneau arrière se présentent ainsi :



Pour câble de raccordement utilisant un connecteur d'accouplement de type XLR tel que le modèle NC3FFX fabriqué par Neutrik AG

Les contacts de commutation ont une puissance nominale de 24 V en CA ou de 2 A maximum en CC.



Le relais a une capacité nominale électrique de 24 V en CA ou de 2 A en CC ; pour prévenir tout blessure ou détérioration matérielle, ne tentez pas de brancher l'équipement sur des tensions plus importantes ou d'utiliser une puissance électrique supérieure à ces valeurs.



Les tensions aussi basses que 22 VAC peuvent présenter un danger lorsque la peau est éclaboussée. Lorsque vous préparez le câble en vue de brancher l'unité TX150/TF200 au connecteur du relais, assurez-vous que le système d'isolation utilisé est capable de fournir une protection contre les sorties de tension de l'appareil en activant le relais.



Utilisez impérativement un câble de taille correcte doté de la classe d'isolation nécessaire pour la tension et le courant utilisés. Si vous avez des doutes, n'hésitez pas à contacter l'équipe du support technique de Grant.

5.1.6 Vidange des bains

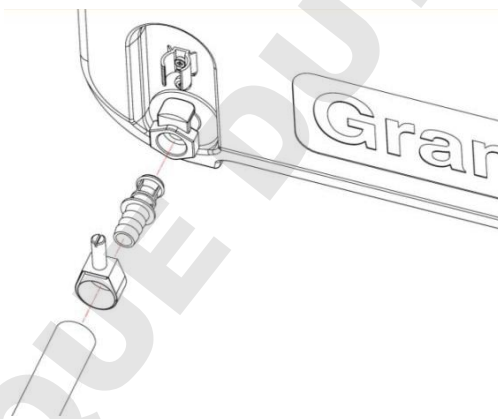
Les bains ST12, ST18, ST26 et ST38 doivent être vidangés (vidés) en toute sécurité avant d'être déplacés. Pour faciliter cette tâche, les bains disposent d'un robinet de vidange.



Laissez la température du liquide descendre à un niveau sûr avant de procéder à la vidange ou au déplacement du bain.

ATTENTION : toute vidange à une température excédant 50°C endommagera le mécanisme de drainage qui devra être remplacé. Prenez les précautions nécessaires pour éviter un renversement accidentel.

Videz le bain en introduisant l'insert de vidange fourni dans le robinet de vidange, comme indiqué dans le schéma ci-dessous. Notez que le bain commence à se vider dès que l'insert de drainage est complètement enclenché. Une longueur de tuyau peut être ajoutée à l'extrémité crantée de l'insert si nécessaire.



5.1.7 Réglage et mise en marche

Installez le thermostat TX150/TF200 en toute sécurité sur le bain ou sur un récipient. Versez dans le bain une quantité de liquide appropriée (supérieure ou égale au niveau minimal recommandé) de sorte que l'interrupteur de niveau insuffisant de liquide soit entièrement relevé.

Branchez le thermostat TX150/TF200 à une alimentation électrique (raccordée à la terre) dont la tension et la fréquence se situent dans la plage indiquée sur la plaque signalétique.

Mettez le thermostat TX150/TF200 en marche à l'aide de l'interrupteur de mise sous tension situé à l'arrière de l'unité. Le moteur est activé immédiatement et le signal sonore retentit quand l'unité démarre. Pendant le démarrage, l'affichage indique la version logicielle utilisée avant d'afficher l'écran d'accueil. Le thermostat TX150/TF200 est maintenant prêt à l'emploi.

Pour débrancher l'équipement de l'alimentation secteur, débranchez sa fiche de la prise de l'alimentation secteur.

5.1.8 Perte de puissance

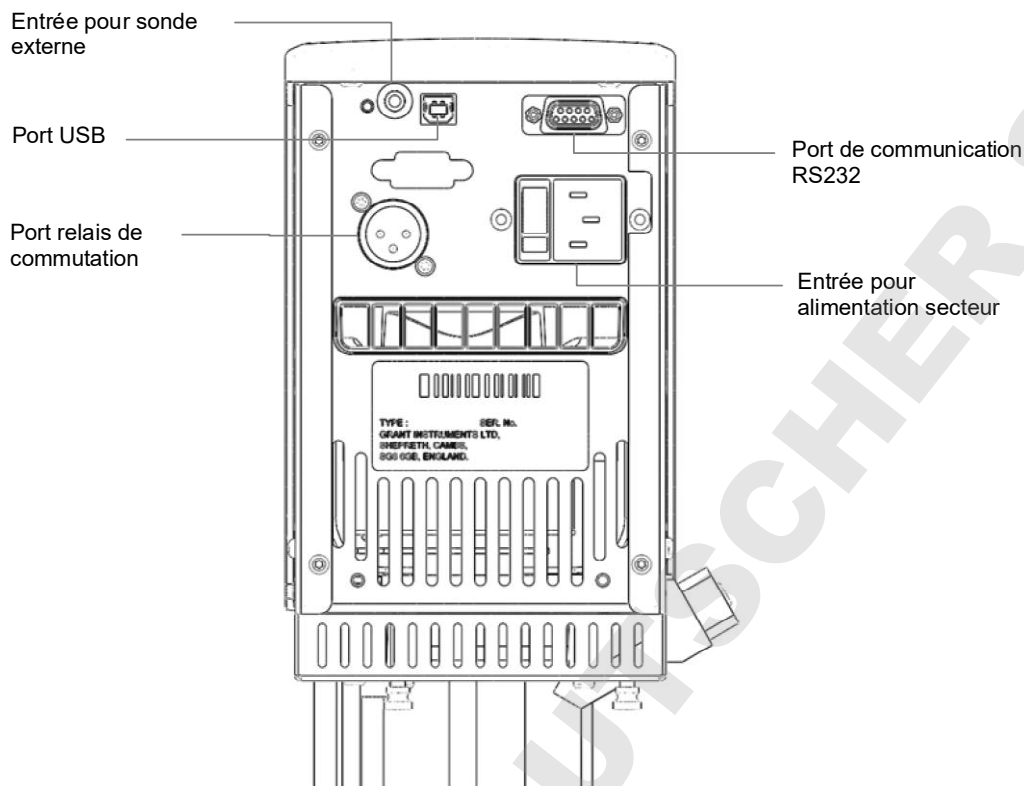
Si l'alimentation est coupée – que ce soit en raison d'une mise hors tension de l'unité ou d'une panne de courant – l'appareil reviendra à l'écran d'accueil (consultez le chapitre 5.2.7) une fois le courant rétabli, en indiquant les dernières température de consigne et vitesse de pompe valides. Notez que, si un programme était en cours d'exécution (consultez le chapitre 5.2.13), la température de consigne sera celle définie avant le début du programme. Si un prééclage était utilisé (consultez le chapitre 5.2.11), la température de consigne et la vitesse de la pompe seront correctes, mais le numéro du prééclage ne sera pas affiché. Le compte à rebours (consultez le chapitre 5.2.12) sera arrêté.

5.2 Utilisation des thermostats TX150 et TXF200

5.2.1 Panneau de commande avant



5.2.2 Connexions du panneau arrière



5.2.3 Ports de communication

Le modèle TX150 et TXF200 fournit un port RS232 ainsi qu'un port de données USB pour la communication avec un PC piloté par le logiciel Labwise™ de Grant. Le logiciel Labwise™ permet d'effectuer à distance la configuration, le contrôle, l'enregistrement des données de températures des programmes ainsi que la surveillance des programmes.

Utilisez uniquement les câbles RS232 fournis par Grant Instruments
Le câble USB est de type A ou de type B.

5.2.4 Port relais de commutation

Un relais interne fournit des contacts de commutation utilisables pour contrôler tout équipement externe. Consultez le chapitre 5.1.5 pour obtenir des informations plus détaillées concernant les contacts du relais et le type de connecteur.

5.2.5 Entrée pour sonde externe

Permet le raccordement d'une sonde de température externe PT1000 disponible auprès de Grant Instruments

FR

5.2.6 Réglage du thermostat de surchauffe

Un bouton rotatif de coupe-circuit en cas de surchauffe, comprenant une échelle de température, est situé à la partie supérieure droite de l'unité. Une sonde de surchauffe surveille indépendamment la température du bain et active l'arrêt du chauffage si l'unité dépasse le seuil limite de température déclenchant le coupe-circuit.

Réglage grossier du thermostat de surchauffe

Tournez le bouton du coupe-circuit en cas de surchauffe pour l'aligner avec la valeur désirée sur l'échelle de température. Cette valeur doit être supérieure à la température définie pour éviter de déclencher le coupe-circuit avant que la température définie ne soit atteinte.

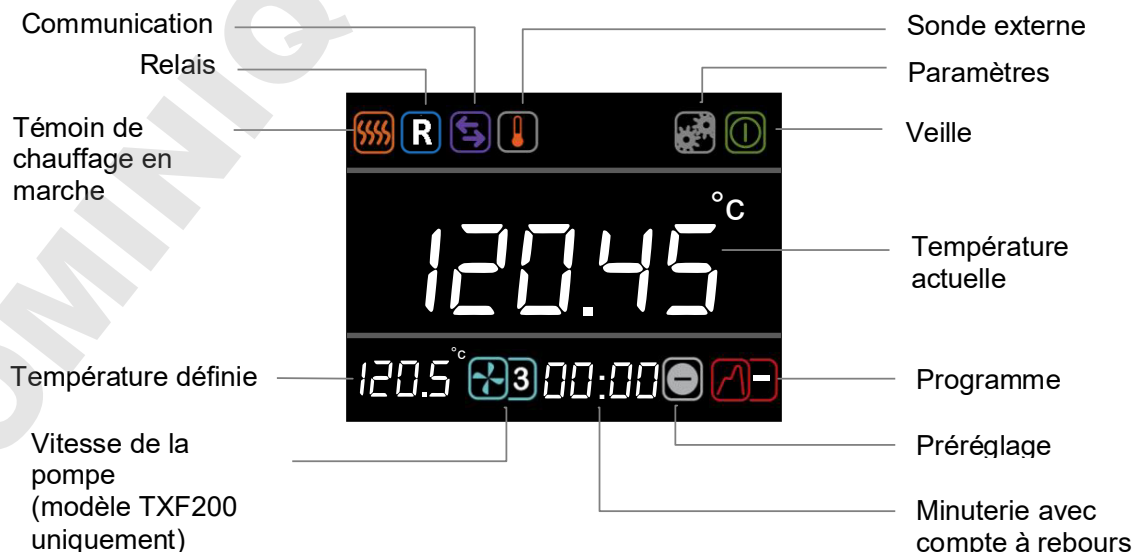
Si l'alarme retentit, elle peut être annulée en appuyant une seule fois sur le bouton **F** ou **S**. Pour continuer à utiliser le thermostat TX150/TXF200, attendez que le liquide du bain refroidisse naturellement de 5°C au moins, ou remplacez le liquide ; arrêtez l'appareil, attendez 10 secondes, puis rallumez-le pour effacer l'alarme. Pour éviter d'activer le point de déclenchement de surchauffe de manière fortuite, réglez-le à 5°C au moins au-dessus de la température de contrôle désirée.

Autre réglage du thermostat de surchauffe

Tournez le bouton du coupe-circuit de surchauffe à la valeur maximale (ou à une valeur supérieure au niveau de température requis) et configurez la température définie au niveau du coupe-circuit requis. Laissez le bain atteindre la température définie et laissez-le se stabiliser pendant 5 minutes au moins. Tournez le bouton du coupe-circuit dans le sens anti-horaire jusqu'à ce qu'une erreur de surchauffe s'affiche sur l'écran et que l'alarme retentisse par intermittence. De cette façon, un point de déclenchement de surchauffe est déterminé à la valeur de la température définie. L'alarme sonore peut être annulée en appuyant une seule fois sur le bouton **F** ou **S**.

Pour continuer à utiliser le thermostat TX150/TXF200, attendez que le liquide du bain refroidisse naturellement de 5°C au moins, ou remplacez le liquide ; arrêtez l'appareil, attendez 10 secondes, puis rallumez-le pour effacer l'alarme. Pour éviter d'activer le point de déclenchement de surchauffe de manière fortuite, réglez-le à 5°C au moins au-dessus de la température de contrôle désirée.

5.2.7 Affichage Explication des icônes de l'écran



5.2.8 Description de l'interface utilisateur et des commandes

Le thermostat TX150/TXF200 dispose d'un plein écran couleur, d'un bouton rotatif principal et de deux boutons (**F** et **S**). Toutes les fonctions (réglage de la température, vitesse de la pompe, compte à rebours, pré-réglages, paramètres des programmes et mode Veille) peuvent être configurées depuis l'écran d'accueil. La navigation dans l'écran d'accueil est obtenu en faisant tourner le bouton rotatif principal, qui déplace un curseur blanc pour mettre en surbrillance les icônes de fonction. Lorsqu'une icône est en surbrillance, l'appui sur le bouton **S** modifie la couleur du curseur qui devient rouge, rend l'icône active et permet d'apporter des modifications – et, dans le cas de l'icône des paramètres, d'afficher autres menus.

La principale fonction de la touche **F** est de quitter les fonctions et les menus. Si le bouton **F** est activé dans l'écran d'accueil tandis que le curseur est blanc, le menu des paramètres s'affiche.

5.2.9 Réglage de la température



1. Tournez le bouton rotatif jusqu'à ce que l'icône représentant la **température définie** soit mise en surbrillance, puis appuyez sur le bouton **S**.
2. Utilisez le bouton rotatif pour définir la température souhaitée.
Si aucune touche n'est actionnée pendant 10 secondes ou si F est activé, l'icône de température définie ne sera plus active et conservera sa valeur initiale.
3. Appuyez sur **S** pour mémoriser la valeur requise.
*Si la température sélectionnée est supérieure à la température actuelle du liquide, le dispositif de chauffage sera mis en marche et l'icône représentant le dispositif de chauffage s'affichera.
La plage de réglage de la température sera limitée à la plage de fonctionnement du liquide sélectionné.*

Consultez le chapitre 4.6 pour connaître les températures appropriées à chaque liquide.

5.2.10 Réglage de la vitesse de la pompe (modèle TXF200 uniquement)



1. Tournez le bouton rotatif jusqu'à ce que l'icône représentant la **vitesse de la pompe** soit mise en surbrillance, puis appuyez sur le bouton **S**.
2. Tournez le bouton rotatif pour définir la vitesse dans une plage comprise entre 1 et 5 (1 = la vitesse la plus basse, 5 = la vitesse la plus élevée).
Si aucune touche n'est actionnée pendant 10 secondes ou si F est activé, l'icône de vitesse de la pompe ne sera plus active et conservera sa valeur initiale.
3. Appuyez sur **S** pour mémoriser la vitesse de la pompe.
*La pompe fonctionnera désormais à la vitesse mémorisée.
Pour une température définie supérieures à 150 ° C, la pompe fonctionne automatiquement à une vitesse minimum de 3*

FR

5.2.11 Exécution d'un bain préréglé

Chaque unité TX150/TXF200 dispose de trois préréglages pouvant être configurés à différentes températures définies ; avec le modèle TXF200, la vitesse de la pompe peut en outre être configurée. Cela permet au bain de fonctionner à des températures et des vitesses de pompage fréquemment utilisées. Consultez le chapitre 5.3.1 pour obtenir des informations sur la configuration des préréglages.



1. Tournez le bouton rotatif jusqu'à ce que l'icône représentant le **préréglage** soit mise en surbrillance, puis appuyez sur le bouton **S**.
2. Tournez le bouton rotatif pour sélectionner le préréglage (1, 2 ou 3) souhaité, puis appuyez sur **S** pour lancer le préréglage.

Le préréglage démarrera automatiquement une fois le bouton S activé.

Si aucune touche n'est actionnée pendant 10 secondes ou si le bouton F est activé, l'icône de préréglage ne sera plus active et conservera sa valeur initiale.

Si la température de consigne du préréglage n'est pas autorisée pour le liquide sélectionné (par exemple, un préréglage de 150 °C lorsque de l'eau est utilisée), l'icône de préréglage indiquera « - » et le préréglage ne sera pas utilisé.

Consultez le chapitre 4.6 pour connaître les températures appropriées à chaque liquide.

5.2.12 Lancement d'une minuterie avec compte à rebours

La minuterie avec compte à rebours du thermostat TX150/TXF200 peut être réglée dans une plage comprise entre 1 minute et 99 heures. Elle peut être configurée pour émettre un signal sonore à la fin du compte à rebours. Consultez le chapitre 5.3.2 pour obtenir plus d'informations sur la configuration des actions possibles après l'expiration du compte-à rebours.



1. Tournez le bouton rotatif jusqu'à ce que l'icône représentant la **minuterie avec compte à rebours** soit mise en surbrillance, puis appuyez sur le bouton **S**.

La minuterie affichera la dernière valeur de temps (compte à rebours) définie.

Si aucune touche n'est actionnée pendant 10 secondes ou si le bouton F est activé, le paramètre de la minuterie avec compte à rebours ne sera plus actif et conservera sa valeur initiale.

2. Tournez le bouton pour régler le compte à rebours sur la valeur désirée, puis appuyez sur **S** pour mémoriser.

*Le compte à rebours commencera le décompte à partir du moment (temps) défini. Un signal sonore retentira à la fin du compte à rebours. Il peut être annulé en appuyant sur **F** ou **S**.*

Pour annuler une minuterie avec compte à rebours actif :

1. Tournez le bouton rotatif jusqu'à ce que l'icône représentant la **minuterie avec compte à rebours** soit mise en surbrillance, puis appuyez sur le bouton **S**.
2. Appuyez sur le bouton **F** pour annuler la minuterie avec compte à rebours.
Le compte à rebours s'arrête.

5.2.13 Lancement d'un programme

Le thermostat TX150/TF200 a la capacité d'exécuter les profils de température automatiques appelés « programmes ». Le modèle TX150 dispose d'une capacité de stockage de 1 programme contenant 30 segments de température/durée individuels. Ce modèle peut uniquement être configuré et modifié par le biais du logiciel Labwise™ de Grant. Le modèle TF200 a une capacité de stockage de 10 programmes, contenant chacun 100 segments de température/durée individuels. Les programmes du TF200 peuvent être configurés directement sur l'unité ou par le biais du logiciel Labwise™ de Grant. Consultez le chapitre 5.3 pour obtenir plus d'informations sur la configuration de programmes via l'unité (modèle TF200 uniquement). Quand un programme est en cours d'exécution, les seules icônes disponibles sont celles de Veille et Programmes.



1. Tournez le bouton rotatif jusqu'à ce que l'icône représentant un **programme** soit mise en surbrillance, puis appuyez sur le bouton **S**.

*Si aucune touche n'est actionnée pendant 10 secondes ou si le bouton **F** est activé, l'icône du programme ne sera plus active et conservera sa valeur initiale.*

2. Tournez le bouton jusqu'à ce que le programme désiré s'affiche (modèle TF200 = 1 à 10). Par défaut, le modèle TX150/TF200 affichera « - » pour indiquer qu'aucun programme n'est sélectionné. Appuyez sur **S** pour sélectionner le programme désiré.

Le programme sélectionné démarre. L'écran affiche la température cible du premier segment et la minuterie avec compte à rebours indique la durée du programme restant. Le modèle TF200 affiche la vitesse de la pompe pour le premier segment. Lorsqu'un programme est en cours d'exécution, seule l'icône de veille peut être sélectionnée.

*A la fin d'un programme, la sonnerie retentit ; elle peut être annulée en appuyant sur **F** ou **S**.*

Si le programme n'est pas valide (aucun segment de température défini, p. ex.) ou un segment de programme contient une température cible non valide pour le liquide sélectionné (rampe thermique jusqu'à 150 °C pour de l'eau, p. ex.), le programme ne fonctionnera pas et l'icône du programme indiquera « - ». Modifiez le programme ou sélectionnez un liquide approprié.

Consultez le chapitre 4.6 pour connaître les températures appropriées à chaque liquide.

Pour arrêter un programme

1. Tournez le bouton rotatif jusqu'à ce que l'icône représentant le **programme** soit mise en surbrillance, puis appuyez sur le bouton **S**.

*Si aucune touche n'est actionnée pendant 10 secondes ou si le bouton **F** est activé, l'icône de programme ne sera plus active et conservera sa valeur initiale.*

2. Tournez le bouton de réglage jusqu'à ce que « - » s'affiche, puis appuyez sur **S** pour enregistrer la sélection.

Le programme s'arrête. L'affichage indiquera la température définie atteinte au moment où le programme a été arrêté ; la minuterie du compte à rebours reviendra à 00:00, et la valeur de la vitesse de la pompe affichée sera celle de la dernière vitesse définie.

FR

5.2.14 Activation du mode Veille

En mode Veille, le thermostat TX150/TXF200 est toujours sous tension ; cependant les fonctions clés (chauffage, pompe, minuterie avec compte à rebours et programmes) sont éteintes. En mode Veille, l'accès aux fonctions se limite au menu des paramètres ; cela permet d'activer la configuration de fonctions telles que les alarmes et les programmes pendant que l'unité n'est pas en cours de fonctionnement.

Remarque : quand l'unité entre en mode Veille, la pompe reste en marche pendant 5 minutes pour permettre la continuation du refroidissement interne.

Une minuterie avec compte à rebours réglée, ou un programme en cours d'exécution avant l'activation du mode Veille sera arrêté(e).



1. Tournez le bouton rotatif jusqu'à ce que l'icône représentant la veille soit mise en surbrillance, puis appuyez sur le bouton S.

Les valeurs de la température et de la minuterie avec compte à rebours ne sont plus affichées.



2. Tournez le bouton rotatif jusqu'à ce que l'icône de la **veille** soit mise en surbrillance, puis appuyez sur le bouton S.

L'affichage revient à l'écran d'accueil et le fonctionnement de l'unité TX150/TXF200 reprend à la dernière température et vitesse de la pompe définies.

5.2.15 Accès au menu des paramètres

Le menu des paramètres permet d'accéder aux écrans de réglages suivants : sélection et définition d'un préréglage, sélection et définition d'un programme, type de liquide, sonde (interne ou externe), alarmes, niveau de volume du signal sonore, état du relais, langue et affichage arrondi.

Le chapitre 5.3 fournit des informations détaillées sur la visualisation, la modification et l'enregistrement des paramètres.



1. Tournez le bouton rotatif jusqu'à ce que l'icône représentant les **paramètres** soit mise en surbrillance, puis appuyez sur le bouton S.

Le menu des paramètres s'affiche ; les préréglages apparaissent en surbrillance en haut de la liste.

Raccourci d'accès au menu des paramètres Si le bouton F est activé dans l'écran d'accueil tandis que le curseur est blanc, le menu des paramètres s'affiche



2. Tournez le bouton pour faire défiler la liste de haut en bas jusqu'à ce que le réglage désiré soit en mis surbrillance, puis appuyez sur la touche **S** pour enregistrer la sélection. Le menu de paramètres souhaité s'affiche.

*Appuyez sur **F** pour revenir à l'écran d'accueil sans apporter de modifications.*

FR

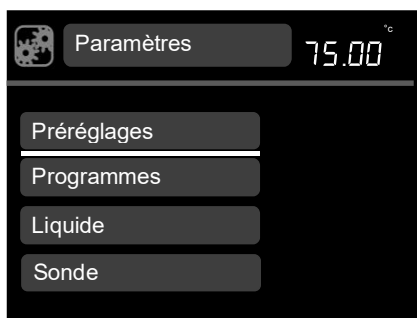
5.3 Visualisation, modification et enregistrement des paramètres

5.3.1 Configuration d'un préréglage



1. Tournez le bouton rotatif jusqu'à ce que l'icône représentant les **paramètres** soit mise en surbrillance, puis appuyez sur le bouton **S**.

*Appuyez sur **F** pour revenir à l'écran d'accueil sans apporter de modifications.*



2. Tournez le bouton rotatif pour faire défiler la liste de haut en bas jusqu'à ce que le **préréglage** désiré soit mis en surbrillance, puis appuyez sur la touche **S** pour enregistrer la sélection.

*Appuyez sur **F** pour revenir à l'écran de paramètres sans apporter de modifications.*



3. Tournez le bouton rotatif pour sélectionner l'icône du préréglage (1, 2 ou 3) souhaité, puis appuyez sur **S** pour enregistrer la sélection.



4. **Température** est en surbrillance ; appuyez sur le bouton **S**. Utilisez le bouton rotatif pour définir la température souhaitée. Appuyez sur **S** pour valider.

*L'appui sur le bouton **F** restaure la température définie initiale et met en surbrillance la température.*



5. Tournez le bouton rotatif pour mettre en surbrillance la **vitesse de la pompe**, puis appuyez sur **S** pour enregistrer la sélection. Tournez le bouton rotatif pour afficher la vitesse (1 à 5) de la pompe (modèle TXF200 uniquement). Appuyez sur **S** pour valider.

*L'appui sur le bouton **F** restaure la vitesse initiale définie de la pompe et met en surbrillance la vitesse de la pompe.*

Pour enregistrer la température et la configuration de vitesse de la pompe, tournez le bouton rotatif pour mettre **valider** en surbrillance, puis appuyez sur **S**.

L'affichage revient à l'écran du menu des paramètres.

Répéter la procédure pour configurer les préréglages 2 et 3.

6. Appuyez sur **F** pour revenir à l'écran d'accueil.

5.3.2 Création d'un programme (modèle TXF200 uniquement)



1. Tournez le bouton rotatif jusqu'à ce que l'icône représentant les **paramètres** soit mise en surbrillance, puis appuyez sur le bouton **S**.

*Appuyez sur **F** pour revenir à l'écran d'accueil sans apporter de modifications.*

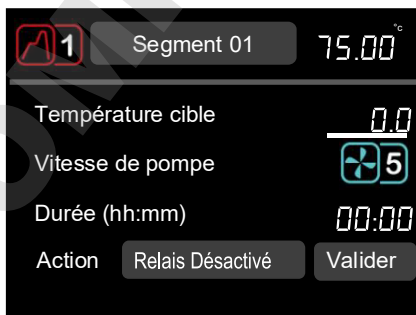


2. Tournez le bouton rotatif pour faire défiler la liste de haut en bas jusqu'à ce que **Programmes** soit en surbrillance, puis appuyez sur la touche **S** pour enregistrer la sélection.

L'écran des programmes s'affiche.

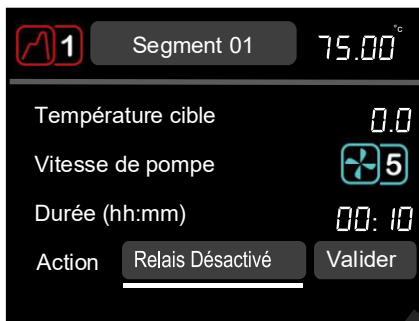
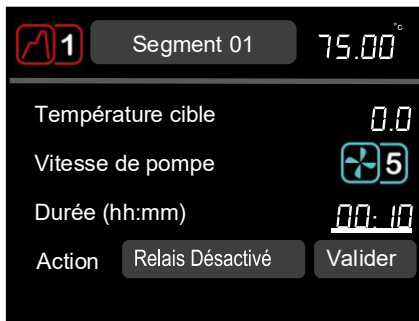
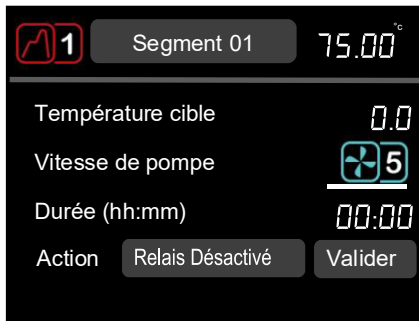
3. Tournez le bouton rotatif pour sélectionner le programme à créer. Appuyez sur **S** pour enregistrer une sélection.

L'écran du segment 1 s'affiche.



4. **Température cible** est en surbrillance; appuyez sur **S** pour enregistrer la sélection.
5. Utilisez le bouton rotatif pour définir la température souhaitée. Appuyez sur **S** pour valider.

FR



6. Tournez le bouton rotatif pour mettre en surbrillance la **vitesse de la pompe**, puis appuyez sur **S** pour enregistrer la sélection.
7. Tournez le bouton rotatif pour obtenir la vitesse de la pompe désirée (1 à 5). Appuyez sur **S** pour valider.
8. Tournez le bouton rotatif pour mettre en surbrillance la **durée**, puis appuyez sur **S** pour enregistrer la sélection.
9. Utilisez le bouton rotatif pour définir la durée du premier segment (**hh:mm**). Durée minimale de segments est de 1 min, au maximum 99 h 59 min. Appuyez sur **S** pour valider.
10. Tournez le bouton rotatif pour mettre une **Action** en surbrillance, puis appuyez sur **S** pour enregistrer la sélection.
11. Tournez le bouton rotatif pour basculer entre les **relais activé/désactivé**. Appuyez sur **S** pour enregistrer une sélection.
12. Mettez **valider** en surbrillance pour mémoriser le segment 1.

L'écran des programmes s'affiche.

13. Pour insérer un nouveau segment, mettez le segment 1 en surbrillance puis appuyez sur **S**. Tournez le bouton pour afficher **Insérer**, puis appuyez sur **S** pour enregistrer la sélection.

L'écran du segment 2 s'affiche. Répétez les étapes 4 à 12 pour créer un nouveau segment.

Pour demeurer à une température spécifique pendant un certain temps, réglez la température sur la même valeur que celle du segment précédent, puis définissez le temps sur la durée requise.

14. À l'issue de la programmation, appuyez deux fois sur **F** pour revenir à l'écran d'accueil.

5.3.3 Modification d'un programme (modèle TXF200 uniquement)



1. Tournez le bouton rotatif jusqu'à ce que l'icône représentant les **paramètres** soit mise en surbrillance, puis appuyez sur le bouton **S**.

*Appuyez sur **F** pour revenir à l'écran d'accueil sans apporter de modifications.*



2. Tournez le bouton rotatif pour faire défiler la liste de haut en bas jusqu'à ce que **Programmes** soit en surbrillance, puis appuyez sur la touche **S** pour enregistrer la sélection.

L'écran des programmes s'affiche.

3. Tournez le bouton rotatif pour sélectionner le programme (1 à 10) à modifier. Appuyez sur **S** pour enregistrer une sélection.

L'écran des programmes s'affiche.



4. Mettez le segment à modifier en surbrillance, puis appuyez sur **S**.

5. Tournez le bouton rotatif pour afficher **modifier**, puis appuyez sur **S** pour enregistrer la sélection.

L'écran du segment est affiché et peut être modifié en suivant les étapes 4 à 12 indiquées dans le précédent chapitre « Création d'un programme ».

6. À l'issue de la modification, appuyez deux fois sur **F** pour revenir à l'écran d'accueil.

7. Pour supprimer un segment, mettez-le en surbrillance puis appuyez sur **S**.

8. Tournez le bouton rotatif pour afficher **effacer**, puis appuyez sur **S** pour enregistrer la sélection.

Le segment sera supprimé.

9. Appuyez deux fois sur **F** pour revenir à l'écran d'accueil.



5.3.4 Sélection du type de liquide

FR

Le type de liquide détermine les limites de la plage de températures définie.

La sélection des types de liquides ci-dessous modifie la plage réglable des températures comme suit :

Liquide	Température définie
Eau	0°C à 100°C
Eau-Glycol	*-30°C à 70°C
Huile basse temp.	-50°C à 50°C
Huile haute temp.	†70°C à 150°C (TX150 uniquement) ‡70°C à 200°C (TXF200 uniquement)
Annuler	§-50°C à 150°C (TX150 uniquement) §-50°C à 200°C (TXF200 uniquement)

*Eau-Glycol : 50 % d'eau, 50 % d'antigel (éthylène glycol inhibé)

† Huile haute température (huile de silicone dotée des caractéristiques suivantes: viscosité 20 centistokes, point d'éclair $\geq 230^{\circ}\text{C}$, point d'inflammation $\geq 280^{\circ}\text{C}$).

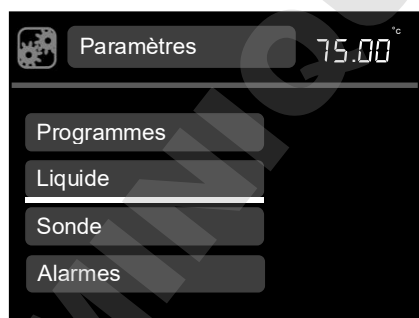
‡ Huile haute température (huile de silicone dotée des caractéristiques suivantes: viscosité 50 centistokes, point d'éclair $\geq 285^{\circ}\text{C}$, point d'inflammation $\geq 340^{\circ}\text{C}$).

§ Lorsque le liquide est réglé sur Annuler (les limites de température), il incombe à l'utilisateur de sélectionner un liquide approprié et sûr.

Consultez le chapitre 4.6 pour obtenir une description complète des liquides de bain.



1. Tournez le bouton rotatif jusqu'à ce que l'icône représentant les **paramètres** soit mise en surbrillance, puis appuyez sur le bouton **S**.



2. Tournez le bouton rotatif pour faire défiler la liste de haut en bas jusqu'à ce que **Liquide** soit en surbrillance, puis appuyez sur la touche **S** pour enregistrer la sélection.

Les options de liquides s'affichent.



3. Tournez le bouton rotatif pour obtenir les options de liquides, puis appuyez sur **S** pour enregistrer la sélection.

L'affichage revient à l'écran du menu des paramètres.

4. Appuyez sur **F** pour revenir à l'écran d'accueil.

5.3.5 Sélection d'un type de sonde thermique

La température du bain peut être contrôlée en utilisant une sonde de thermique interne ou externe.



1. Tournez le bouton rotatif jusqu'à ce que l'icône représentant les **paramètres** soit mise en surbrillance, puis appuyez sur le bouton **S**.



2. Tournez le bouton rotatif pour faire défiler la liste de haut en bas jusqu'à ce que **Sonde** soit en surbrillance, puis appuyez sur la touche **S** pour enregistrer la sélection.

Les options de sondes s'affichent.



3. Tournez le bouton rotatif pour obtenir les types de sondes (**externe** ou **interne**), puis appuyez sur **S** pour enregistrer une sélection.

L'affichage revient à l'écran des paramètres.

L'icône représentant la sonde externe sera affichée sur l'écran d'accueil.

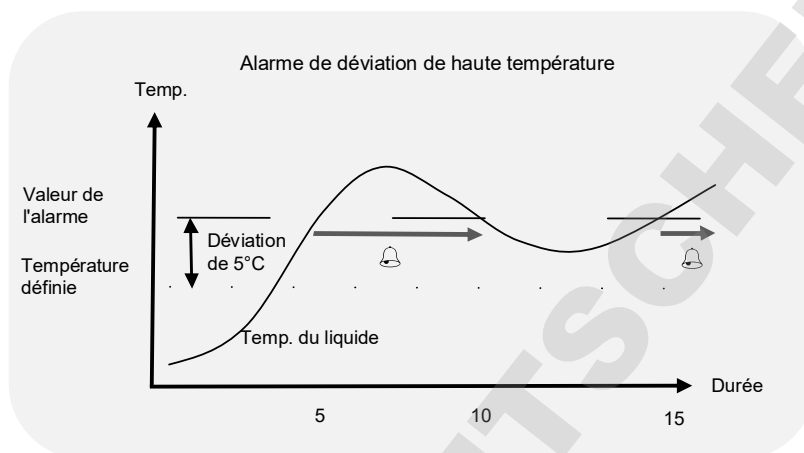
4. Appuyez sur **F** pour revenir à l'écran d'accueil.

FR

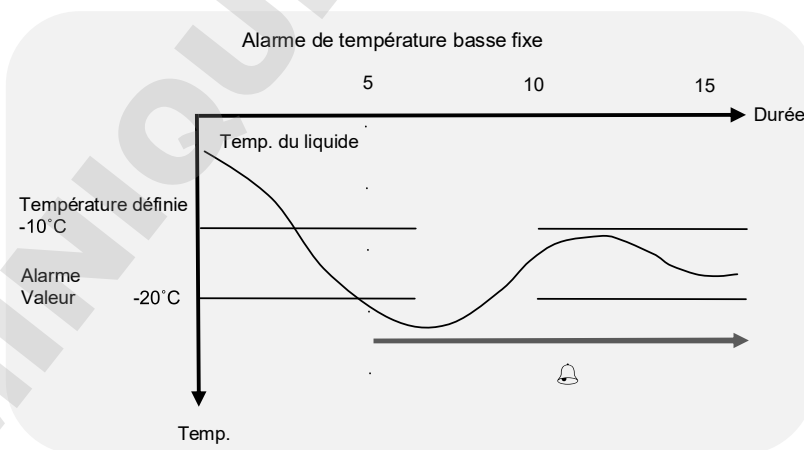
5.3.6 Configuration des alarmes de température basse et haute

Le menu des alarmes contient trois fonctions.

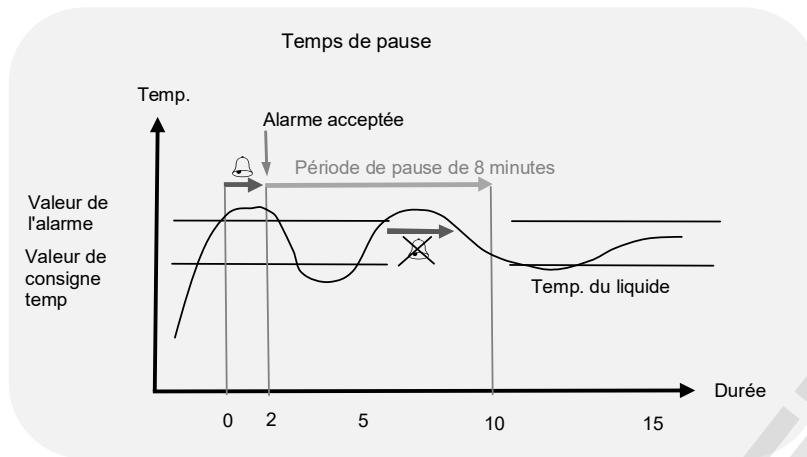
1. Une alarme haute, qui provoque une condition d'alarme lorsque la température du bain excède la valeur d'alarme. La valeur de l'alarme peut être définie comme une température fixe au-dessus de la température définie (de consigne) ou valeur de déviation décalée au-dessus de la température de consigne. L'exemple ci-dessous illustre une alarme de déviation de haute température, où la déviation de température a été définie sur 5°C.



2. Une fonction d'alarme basse, lorsque la température du bain descend en dessous de la valeur de l'alarme. La valeur de l'alarme peut être définie comme une température fixe en dessous de la température de consigne ou une valeur de déviation décalée en dessous de la température de consigne. L'exemple ci-dessous illustre une alarme de basse température fixe, où la valeur de la température fixe a été définie sur -20°C.



3. Un temps de pause peut être saisi (avec une durée choisie par l'utilisateur comprise entre 0 et 21 min) pendant lequel les alarmes restent en sourdine après l'activation d'un des boutons de confirmation de la condition d'alarme. Si le bain revient à une valeur qui n'excède pas le seuil du niveau d'alarme, l'alarme est annulée. Toutefois, si la température reste en dehors du seuil du niveau d'alarme, la condition d'alarme sera toujours présente après la période de pause.



Chaque alarme peut être programmée pour être verrouillée, pour activer un signal sonore et un relais. Les alarmes sont annulées en appuyant sur la touche **F** ou **S**, ou en supprimant la condition d'alarme.



1. Tournez le bouton rotatif jusqu'à ce que l'icône représentant les **paramètres** soit mise en surbrillance, puis appuyez sur le bouton **S**.



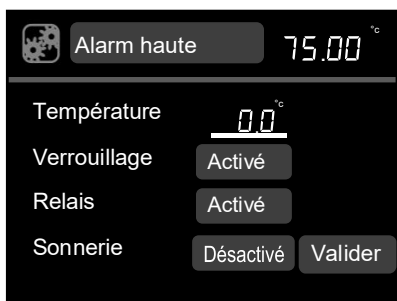
2. Tournez le bouton rotatif pour faire défiler la liste de haut en bas jusqu'à ce que **Alarmes** soit en surbrillance, puis appuyez sur la touche **S** pour enregistrer la sélection.



3. Le **mode Alarme haute** est en surbrillance ; appuyez sur **S** enregistrer la sélection.
4. Tournez le bouton rotatif pour sélectionner la **température fixe**, la **déviation**, ou pour **désactiver l'alarme**. Appuyez sur **S** pour enregistrer une sélection.

L'écran d'alarme haute s'affiche.

FR



5. **Température** est en surbrillance ; appuyez sur **S** pour enregistrer la sélection.
6. Tournez le bouton pour définir la valeur de la température, puis appuyez sur **S** pour la mémoriser.
7. Tournez le bouton rotatif pour mettre en surbrillance le **verrouillage**, puis appuyez sur **S** pour enregistrer la sélection.

8. Tournez le bouton rotatif pour basculer entre **activé** et **désactivé**, puis appuyez sur **S** pour enregistrer la sélection.

Lorsque le verrouillage est activé, une alarme de température est maintenue à moins qu'elle soit « acceptée » par l'utilisateur, même si la température revient dans la plage.

9. Tournez le bouton rotatif pour mettre en surbrillance le **relais**, puis appuyez sur **S** pour enregistrer la sélection.
10. Tournez le bouton rotatif pour basculer entre **Activé** et **Désactivé**, puis appuyez sur **S** pour enregistrer la sélection.
11. Tournez le bouton rotatif pour mettre en surbrillance le **signal sonore**, puis appuyez sur **S** pour enregistrer la sélection.
12. Tournez le bouton rotatif pour basculer entre **Activé** et **Désactivé**, puis appuyez sur **S** pour enregistrer la sélection.
13. Tournez le bouton rotatif pour obtenir **valider** ; puis appuyez sur **S**. L'affichage revient à l'écran des paramètres d'alarme. La procédure peut être répétée pour configurer l'alarme de déviation et la fonction d'alarme basse.



14. Tournez le bouton rotatif pour mettre en surbrillance la **d**, puis appuyez sur **S** pour enregistrer la sélection.
15. Tournez le bouton rotatif pour sélectionner un temps de pause (dans une plage de 10 secondes à 21 minutes), puis appuyez sur **S** pour enregistrer la sélection.

Tournez le bouton rotatif pour obtenir **valider**, puis appuyez sur **S** pour enregistrer tous les réglages.

L'affichage revient au menu des paramètres.

16. Appuyez sur **F** pour revenir à l'écran d'accueil.

5.3.7 Réglage du volume du signal sonore

Trois niveaux de volume du signal sonore sont disponibles : bas, moyen et haut ; la désactivation du signal sonore est également possible.



1. Tournez le bouton rotatif jusqu'à ce que l'icône représentant les **paramètres** soit mise en surbrillance, puis appuyez sur le bouton **S**.



2. Tournez le bouton rotatif pour faire défiler la liste de haut en bas jusqu'à ce que le **signal sonore** soit en surbrillance, puis appuyez sur la touche **S** pour enregistrer la sélection.

Les options de volume sonore s'affichent.



3. Tournez le bouton rotatif pour faire défiler les niveaux de volume (bas, moyen, haut et désactivé), puis sélectionnez **S** pour enregistrer la sélection.

L'affichage revient à l'écran des paramètres.

4. Appuyez sur **F** pour revenir à l'écran d'accueil.

5.3.8 Sélection d'une langue

Cinq options de langue sont disponibles : anglais, français, allemand, italien et espagnol.



1. Tournez le bouton rotatif jusqu'à ce que l'icône représentant les **paramètres** soit mise en surbrillance, puis appuyez sur le bouton **S**.

FR



2. Tournez le bouton rotatif pour faire défiler la liste de haut en bas jusqu'à ce que la **langue** soit en surbrillance, puis appuyez sur la touche **S** pour enregistrer la sélection.

Les options de langue s'affichent.



3. Tournez le bouton rotatif pour faire défiler les langues (**anglais, français, allemand, italien et espagnol**), puis appuyez sur **S** pour enregistrer la sélection.

L'affichage revient à l'écran des paramètres.

4. Appuyez sur **F** pour revenir à l'écran d'accueil.

5.3.9 Test et configuration du relais

Les thermostats TX150 et TXF200 peuvent être configurés pour activer un relais dans la fonction de programmation.

Cette fonction peut être testée manuellement en dehors de la fonction de programmation en suivant les consignes ci-dessous.



1. Tournez le bouton rotatif jusqu'à ce que l'icône représentant les **paramètres** soit mise en surbrillance, puis appuyez sur le bouton **S**.



2. Tournez le bouton rotatif pour faire défiler la liste de haut en bas jusqu'à ce que le **relais** soit en surbrillance, puis appuyez sur la touche **S** pour enregistrer la sélection.

Les options de relais s'affichent.



3. Tournez le bouton rotatif pour basculer entre **Activé** et **Désactivé**, puis appuyez sur **S** pour enregistrer une sélection.

L'affichage revient à l'écran des paramètres.

4. Appuyez sur **F** pour revenir à l'écran d'accueil.

5.3.10 Affichage arrondi

Les thermostats TX150 et TXF200 peuvent être configurés pour afficher des valeurs de température arrondies au lieu d'indiquer des variations thermiques mineures induites par l'élément chauffant pour maintenir la température adéquate.



1. Tournez le bouton rotatif pour mettre l'icône des **paramètres** en surbrillance, puis appuyez sur la touche **S**



2. Tournez le bouton rotatif pour faire défiler la liste de haut en bas et mettre l'**affichage arrondi** en surbrillance, puis appuyez sur **S** pour enregistrer la sélection.

Les options d'affichage arrondi apparaissent.



3. Tournez le bouton rotatif pour basculer entre **activé** et **désactivé**, puis appuyez sur **S** pour enregistrer la sélection.

L'affichage revient à l'écran du menu des paramètres.

4. Appuyez sur **F** pour revenir à l'écran d'accueil.

FR

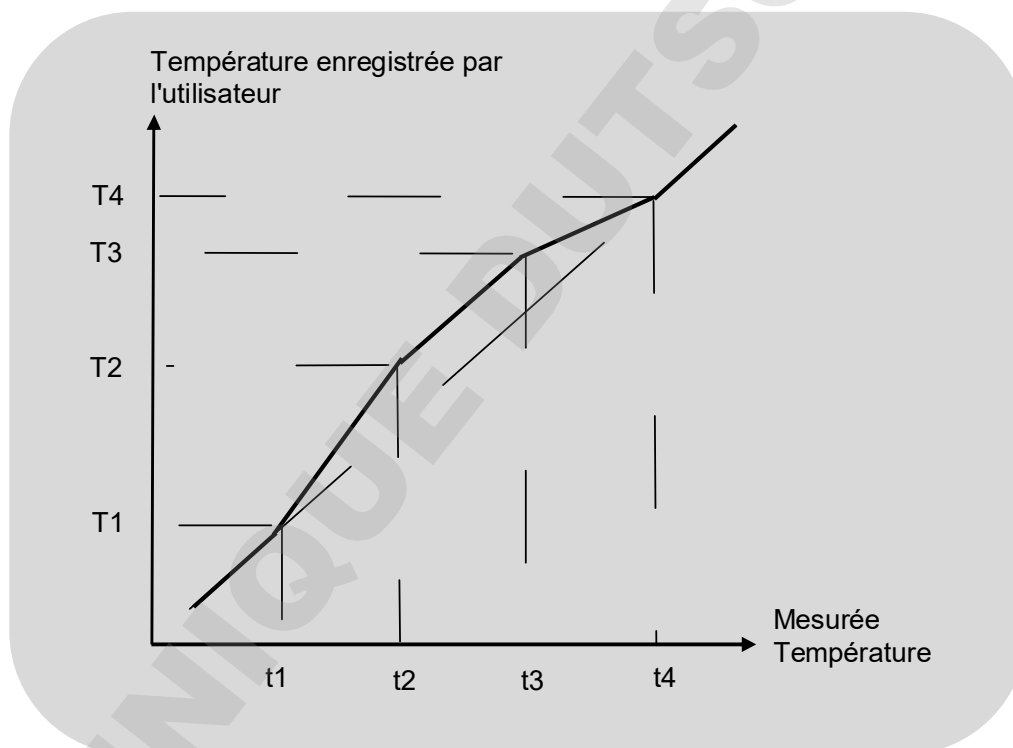
5.4 Réalisation d'un étalonnage

Le thermostat TX150 & TXF200 permet d'obtenir non moins de 5 points de température pour l'étalonnage. Le menu d'étalonnage est accessible en appuyant simultanément sur les boutons **F** et **S** pendant 3 secondes.

Les températures d'étalonnage sont soumises aux limites de température du type de liquide. L'étalonnage doit être réalisé à l'aide d'un thermomètre de référence à la traçabilité garantie, doté d'une précision minimale de $0,1^{\circ}\text{C}$. Ce thermomètre doit être placé de façon sécurisée au centre du bain ou du récipient.

Deux points d'étalonnage d'usine définis (20 et 70°C) existent déjà et sont affichés dans le menu d'étalonnage des sondes, à étalonner de nouveau si nécessaire ; jusqu'à trois autres points d'étalonnage peuvent être ajoutés. Les points d'étalonnage doivent être choisis aux températures critiques pour l'analyse où la précision est importante, ou aux limites extrêmes des plages de températures utilisées.

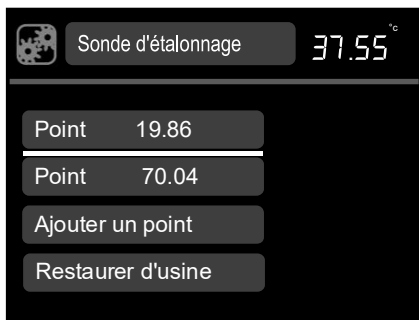
Le modèle TX150/TXF200 figure la température à n'importe quel point en utilisant les valeurs calculées passant par chaque point d'étalonnage. Cette fonctionnalité assure la précision pour toutes les températures critiques comprises dans la plage utilisée. Dans l'exemple ci-dessous, 4 points d'étalonnage ont été utilisés.



Les points d'étalonnage doivent présenter un écart de température de 5°C au minimum ; l'écart entre les points inférieur et supérieur doit être au moins de 20°C . Tous les points ajoutés qui ne correspondent pas à ces critères ne seront pas acceptés par l'unité.

Une fois définis, les points d'étalonnage peuvent être modifiés ou supprimés, mais il convient de conserver un minimum de 2 points.

Avant l'étalonnage, assurez-vous que le type de sonde d'étalonnage (interne ou externe) est sélectionné, que le bain est réglé à la température désirée et présente une stabilité thermique depuis 5 minutes au moins.

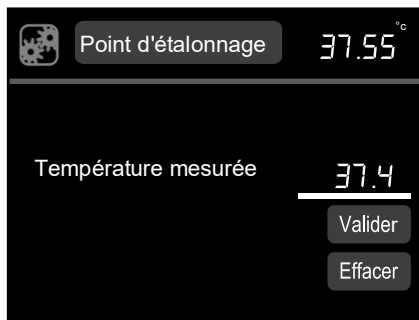


1. Appuyez sur les boutons **F** et **S** simultanément pendant 3 secondes.

Le menu de sondes d'étalonnage affiche les points d'étalonnage d'usine ainsi que la température actuelle du bain dans le coin supérieur droit de l'écran.

2. Tournez le bouton rotatif pour mettre en surbrillance **Ajouter un point**, puis appuyez sur **S** pour enregistrer la sélection.

Le menu des points d'étalonnage s'affiche. Si une sonde externe a été sélectionnée, l'icône représentant une sonde externe sera affichée dans le coin supérieur gauche de l'écran. Si ce n'est pas le cas, l'icône des paramètres sera affichée lors de l'étalonnage de la sonde interne.



3. Utilisez le bouton rotatif pour définir la **température mesurée**. Appuyez sur **S** pour enregistrer la sélection.
4. Tournez le bouton rotatif pour afficher sur l'écran la température indiquée sur le thermomètre étalonné. Appuyez sur le bouton **S** pour enregistrer la valeur.
5. Tournez le bouton rotatif pour mettre en surbrillance **valider**, puis appuyez sur **S** pour enregistrer la sélection.

L'affichage revient à l'écran des sondes d'étalonnage.

6. Appuyez sur **F** pour revenir à l'écran d'accueil.

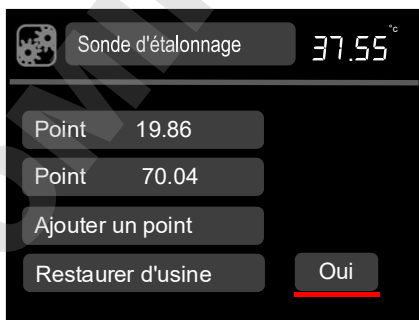
D'autres points d'étalonnage peuvent être ajoutés en répétant les étapes 2 à 5.

*Les points d'étalonnage peuvent être annulés en sélectionnant l'option **Annuler** dans l'écran des points d'étalonnage.*

5.4.1 Restauration des paramètres d'étalonnage d'usine

Si la valeur du thermomètre est saisie avant que la température du bain ne soit entièrement stable, l'étalonnage risque d'être non fiable et les mesures de température incorrectes. Si le thermostat TX150/TXF200 et le thermomètre ne coïncident plus à l'issue de l'étalonnage, l'étalonnage n'a probablement pas réussi ; l'unité doit être réinitialisée au moyen de la fonction de restauration des paramètres d'usine.

FR



1. Appuyez sur les boutons **F** et **S** simultanément pendant 3 secondes.

2. Tournez le bouton rotatif pour mettre en surbrillance **restauration des paramètres d'usine**, puis appuyez sur **S** pour enregistrer la sélection.

***oui/non** s'affichent.*

3. Tournez le bouton rotatif pour basculer sur **oui**, puis appuyez sur **S** pour enregistrer la sélection. *Les valeurs d'étalonnage d'usine sont restaurées.*
4. Appuyez sur **F** pour revenir à l'écran d'accueil.

6.0 Caractéristiques techniques

6.1 Conditions d'utilisation

Plage de températures ambiantes	5 à 40 °C
Altitude	Jusqu'à 2 000m (6 500 pi)
Environnement de fonctionnement	Utilisation en intérieur exclusivement.
Humidité relative maximale	HR à 80 % jusqu'à 31°C diminuant jusqu'à 50 % à 40°C

6.2 Caractéristiques électriques

Alimentation secteur : 220 à 240 V à 50/60 Hz ou 110 à 120 V à 50/60 Hz

Degré de pollution : 2

Catégorie d'installation : II

Les fluctuations de tension de l'alimentation secteur ne doivent pas excéder ± 10 % de la tension nominale fournie.

6.3 Performance du produit

	TX150	TX150L	TXF200	TXF200L
Plage de températures réglables	-50°C à 150°C		-50°C à 200°C	
Stabilité (DIN 12876)	$\pm 0,01^\circ\text{C}$			
Uniformité (DIN 12876)	$\pm 0,05^\circ\text{C}$			
Pression de tête de pompe max.	310 mBar		530 mBar	
Débit du flux de pompe max.	18 L/min		22 L/min (réglable)	
Consommation de courant max.	9A	12,5A	9A	12,5A
Puissance calorifique :	1,8kW	1,4 kW	1,8kW	1,4 kW

6.4 Informations relatives aux accessoires de bain

	ST5	ST12	ST18	ST26	ST38
Capacité de la cuve (litres)	5	12	18	26	38
Profondeur du liquide min./max. (mm)	85/140	85/140	75/130	125/180	125/180

	P5	P12	P18
Capacité de la cuve (litres)	5	12	18
Profondeur du liquide min./max. (mm)	85/140	85/140	85/140

7.0 Conseils techniques

7.1 Quelle eau utiliser dans le bain ?

Pour garantir la fiabilité à long terme des bains-marie, il importe d'utiliser de l'eau oxygénée exempte d'ions et de minéraux susceptibles de provoquer la corrosion de l'acier inoxydable. Nous recommandons l'utilisation d'eau distillée et d'eau déionisée issue d'un système d'échange ionique moderne n'utilisant pas de rinçage au sel pour régénérer les cartouches d'échange ionique.

L'acier inoxydable est protégé de la corrosion par une pellicule d'oxyde de chrome. Si la pellicule est endommagée, l'oxygène présent dans l'eau peut reformer une couche d'oxyde. Si l'eau est stagnante ou désoxygénée alors que la pellicule d'oxyde est endommagée, les ions peuvent corroder le bac en acier inoxydable. Lorsqu'un bain-marie est demeuré inutilisé pendant un certain temps, ou que l'eau a bouilli, nous recommandons de changer l'eau distillée ou de corriger l'eau déionisée.

L'eau contient naturellement des ions de calcium ou de magnésium. L'eau déionisée est pratiquement exempte d'ions, comme l'indique son niveau de conductivité ; plus l'eau est pure, plus la conductivité est faible. Il importe d'utiliser uniquement de l'eau déionisée issue d'un système d'échange ionique à cartouches remplaçables. N'utilisez pas d'eau déionisée provenant d'un système d'échange ionique intégrant un rinçage au sel pour régénérer la résine d'échange ionique, car elle peut laisser des ions de sodium très corrosifs pour l'acier inoxydable.

7.2 Comment empêcher les bains à eau de rouiller

La plupart des bacs Grant, ainsi que les pièces immergées, sont réalisés en acier inoxydable de type 304, une qualité à usage général extrêmement polyvalente. C'est en raison de ses excellentes caractéristiques de formage que cette qualité domine dans la fabrication des bains-marie de laboratoire et industriels, ainsi que des éviers et des casseroles domestiques. L'acier inoxydable de type 304 est idéalement adapté aux applications où l'hygiène est importante ; il fait preuve d'une bonne résistance à la chaleur et d'une excellente résistance à la corrosion.

Toutefois, malgré sa résistance à la corrosion générale en surface, l'acier inoxydable est sujet à des types de corrosion spécifiques, en particulier à la formation de petits trous de la taille d'une tête d'épingle et aux craquelures dues à l'effort. Il peut aussi subir une corrosion générale dans certains environnements, par exemple en présence d'acides hydrochloriques ou sulfuriques.

L'acier inoxydable est protégé par sa haute teneur en éléments d'alliage, principalement le chrome et le nickel. Le chrome est l'élément le plus important en termes de résistance à la corrosion, bien que le nickel aide le chrome à remplir sa mission. Le chrome forme une couche d'oxydation à la surface de l'acier, qui bloque toute oxydation ultérieure. Cette couche adhère extrêmement bien au métal qui est en dessous, mais elle doit absolument demeurer intacte et être protégée des différentes formes de détérioration.

Si la couche d'oxyde de chrome en surface est endommagée, l'oxygène dans l'eau peut reformer partiellement la couche d'oxyde, c'est pourquoi il convient de vérifier que l'eau est fraîche et bien oxygénée. Les bains qui doivent rester inutilisés pendant une période prolongée doivent être vidés et l'humidité éliminée au fond du bac.

Dans certains cas, un voile brun peut apparaître à la surface d'un bac en acier inoxydable. Dans la plupart des cas, il ne s'agit pas de rouille mais d'un dépôt superficiel de minéraux provenant de l'alimentation en eau locale, ou de particules ferreuses ou de sels tombés dans le bac. Ces dépôts superficiels peuvent généralement être éliminés avec un détergent ménager tel que le Duraglit ou une pâte à polir l'argenterie telle que le Silvo.

FR

7.3 Comment éviter les algues et les bactéries

Les bains-marie offrent un environnement idéal au développement de micro-organismes. Non maîtrisée, la prolifération de ces organismes peut être à l'origine de différents problèmes sérieux et de risques sanitaires résultant de bactéries pathogènes.

Le développement d'algues à la surface des éléments est susceptible de provoquer une contamination biologique capable d'en réduire les performances.

Les micro-organismes qui produisent des dérivés métaboliques acides peuvent provoquer une corrosion biologique par dépolarisation des surfaces métalliques.

De nombreux produits biocides sont disponibles dans le commerce.

8.0 Garantie

Lorsqu'il est utilisé dans des conditions de laboratoire, conformément au présent manuel, ce produit est garanti pendant TROIS ANS contre les défauts de pièces et de main-d'œuvre.

Une extension de garantie pour la quatrième et la cinquième année peut être obtenue en contactant notre service commercial à labsales@grantinstruments.com.

9.0 Entretien et réparation

9.1 Entretien systématique

Le coupe-circuit de surchauffe du thermostat TX150/TXF200 doit être vérifié à intervalles réguliers en tournant le bouton de réglage de surchauffe avec un tournevis jusqu'à ce que l'alarme soit déclenchée. L'unité active un signal sonore et « Overtemperature Alarm » (Alarme de surchauffe) s'affiche. Le bouton de surchauffe doit être tourné pour être réglé à 10°C au-dessus de la température du liquide, et l'unité TX150/TXF200 doit être éteinte puis rallumée pour confirmer que le coupe-circuit peut être réinitialisé correctement. Si l'alarme ne se déclenche pas lorsque la valeur indiquée sur le bouton de surchauffe est inférieure de plus de 10°C à la température actuelle indiquée dans la fenêtre d'affichage, l'unité doit être vérifiée par une personne qualifiée.

Le flotteur de protection contre les niveaux de liquide insuffisants doit aussi être vérifié régulièrement en diminuant le niveau de liquide dans le bain et en notant si l'alarme Liquide bas est déclenchée, avec la partie haute de l'élément chauffant toujours immergée dans le liquide. Lorsque des tuyaux sont raccordés à la pompe, ils doivent être inspectés régulièrement et remplacés à mesure des besoins pour éviter les défaillances. Le flotteur doit également être vérifié périodiquement afin de s'assurer que des dépôts calcaires, de la saleté ou des débris n'entravent pas le fonctionnement de l'appareil lorsque le niveau de liquide est bas.

Aucun autre entretien systématique n'est requis.

9.2 Nettoyage

Nettoyez l'extérieur de l'équipement avec un chiffon, imprégné uniquement d'eau. N'utilisez pas de détergents chimiques. Avant d'employer une quelconque méthode de nettoyage ou de décontamination, interrogez Grant Instruments ou votre représentant local pour vérifier que la méthode envisagée ne risque pas d'endommager l'équipement. Le calcaire déposé sur les parties immergées peut être éliminé avec des produits détartrants conçus pour des équipements comportant des parties métalliques.



Les produits détartrants pouvant être toxiques ; respectez toujours les instructions du fabricant.

9.3 Fusibles

Les fusibles du thermostat TX150/TXF200 sont internes et n'ont pas besoin d'être remplacés.

9.4 Remplacement des cordons d'alimentation secteur

Tout cordon utilisé en remplacement du cordon d'alimentation secteur d'origine fourni avec le thermostat T150 ou TXF200 doit présenter les mêmes caractéristiques que l'original pour assurer la sécurité de l'unité.

Les marquages suivants doivent figurer sur le câble : <HAR>, HO5VV-F 3Gx1mm² 90°C ; sa capacité nominale d'alimentation doit être de 10 A. La fiche d'alimentation secteur et le connecteur CEI doit porter la marque d'homologation d'un organisme de certification européen tel que le BSI, VDE (ou leur équivalent).

9.5 Tests de sécurité systématiques

Si vous souhaitez effectuer des tests systématiques, nous recommandons un test de l'intégrité du conducteur de terre et un test d'isolation à 500V CC. Les tests flash systématiques sont déconseillés, quel que soit l'équipement électrique, car les tests répétés à haute tension dégradent les matériaux d'isolation.

9.6 Réparation

Si des réparations sont nécessaires, arrêtez l'appareil et contactez Grant Instruments ou votre représentant local pour les effectuer.

Toute unité retournée doit être accompagnée d'un numéro de ARM (Autorisation de Retour de Matériel, ou RMA en anglais) obtenu en contactant le Département SAV (Service Department) de Grant (détails ci-dessous).

Service Department	Tél. : +44 (0) 1763 260 811
Grant Instruments (Cambridge) Ltd	Fax : +44 (0) 1763 262 410
Shepreth	E-mail : labservice@grantinstruments.com
Cambridgeshire	
SG8 6GB	
ROYAUME-UNI	





10.0 Accessoires en option

La liste complète des accessoires et options est présentée dans le catalogue de références scientifiques de Grant (disponible sur simple demande) et sur le site web de Grant à l'adresse www.grantinstruments.com.





FR

11.0 Recherche de panne

Symptôme	Cause possible	Action nécessaire
La température continue à monter alors qu'elle ne le devrait pas.	La température définie est supérieure à celle du liquide.	Vérifiez que la température définie pour le bain est correcte (consultez la section 5.2.9).
La température définie est trop restreinte.	Le type de liquide défini n'inclut pas la valeur définie requise.	Changer le type de liquide(consultez la section 5.3.4).
La température n'augmente pas comme prévu.	La température définie est inférieure à celle du liquide. La température définie est trop proche de la température ambiante.	Vérifiez que la température définie pour le bain est correcte (consultez le chapitre 5.2.9). Augmentez la température définie (consultez le chapitre 5.2.9 ou installez un accessoire de refroidissement (consultez la section 4.9).
L'affichage indique « Alarme de haute température ».	L'alarme d'avertissement de haute température s'est déclenchée.	Vérifiez que la température définie pour le bain est correcte (consultez la section 5.2.9). Vérifiez que l'alarme de haute température est correcte (section 5.3.6). Vérifiez que le niveau de liquide du bain est adéquat (consultez la section 6.4 pour connaître les niveaux de remplissage minimaux).
L'affichage indique « Alarme de basse température ».	L'alarme d'avertissement de basse température s'est déclenchée.	Vérifiez que la température définie pour le bain est correcte (consultez la section 5.2.9). Vérifiez que l'alarme de basse température est correcte (section 5.3.6). Vérifiez que le niveau de liquide du bain est adéquat (consultez la section 6.4 pour connaître les niveaux de remplissage minimaux).
L'affichage indique des températures irrégulières.	Les valeurs d'étalonnage n'ont pas été correctement définies.	Restaurez les paramètres d'étalonnage d'usine (consultez la section 5.4.1) puis étalonnez l'unité de nouveau si nécessaire (consultez la section 5.4).
Le nouveau point d'étalonnage n'est pas enregistré.	Valeur d'étalonnage incorrecte	Le point d'étalonnage de la température est inférieur de 20°C par rapport à un point d'étalonnage existant – choisissez une température plus élevée (consultez la section 5.4). L'écart entre la température du liquide mesurée et la température d'étalonnage sélectionnée est supérieure à 5°C.
Seule l'icône de veille peut être mise en surbrillance.	L'appareil est en mode Veille	Mettez en surbrillance et sélectionnez l'icône de veille puis appuyez sur « S » pour quitter le mode Veille.
Les icônes peuvent être mise en surbrillance, mais ne peuvent pas être sélectionnées.	Le programme est en cours d'exécution.	Attendez que le programme soit terminé, ou arrêtez-le.

Symptôme	Cause possible	Action nécessaire
Un numéro de préréglage est sélectionné, mais l'icône indique « – ».	Le préréglage n'a pas été configuré La température de consigne prédéfinie n'est pas valide pour le liquide sélectionné.	Sélectionnez Préréglages dans le menu de paramètres et configurez un nouveau réglage comme indiqué au chapitre 5.3.1. Sélectionnez Liquide dans le menu de paramètres et choisissez un liquide approprié pour toute température cible (consultez le chapitre 5.3.4).
Un numéro de programme est sélectionné, mais l'icône se transforme en « – ».	Le programme n'est pas configuré. Un ou plusieurs segments de programme contien(n)ent une température cible non valide pour le liquide sélectionné.	Sélectionnez Programmes dans le menu de paramètres et configurez un programme comme indiqué au chapitre 5.3.2. Sélectionnez Liquide dans le menu de paramètres et choisissez un liquide approprié pour toute température cible (consultez le chapitre 5.3.4).
Le moteur de l'agitateur ne tourne pas	L'appareil est en mode Veille L'hélice de l'agitateur ou la tête de pompe est obstruée. Moteur défectueux	Mettez en surbrillance l'icône de veille sur l'écran de contrôle et appuyez sur le bouton S pour revenir au fonctionnement normal. Supprimer l'obstruction. Faites vérifier le moteur par une personne qualifiée, ou contactez Grant.
L'affichage indique « Alarme de surchauffe ». 	Le coupe-circuit de surchauffe a fonctionné.	Vérifiez que la température définie est correcte et que le coupe-circuit de surchauffe est défini sur une valeur supérieure de 5°C au moins par rapport à la température définie. Consultez le chapitre 5.5 pour obtenir des instructions de réglage. Si la température du coupe-circuit de surchauffe est définie correctement mais que l'unité indique toujours une alarme « Coupe-circuit », l'unité présente une anomalie interne et doit être réparée avant d'être utilisée de nouveau.
L'affichage indique « Alarme Liquide bas ». 	Le niveau de liquide est descendu en-dessous du niveau minimal requis.	Vérifiez que le niveau de liquide du bain est adéquat (consultez la section 6.4 pour connaître les niveaux de remplissage minimaux).
L'écran indique « Réglez une température valide ». 	La sélection du liquide a été modifiée ; par conséquent, la température de consigne précédente n'est pas valide pour le nouveau liquide	Sélectionnez l'icône de température de consigne (qui indique « –. – ») et définissez la température souhaitée.
L'affichage indique « Diff. temp interne/externe trop importante » 	La différence de température entre les sondes interne et externe excède 10 degrés.	Vérifiez que la sonde externe est correctement installée sur le panneau arrière. Vérifiez la sonde externe est correctement positionnée dans le liquide du bain et que la circulation n'est pas limitée. Si la sonde externe n'est pas nécessaire, sélectionnez la sonde interne à l'aide du menu de paramètres.

FR

Symptôme	Cause possible	Action nécessaire
L'affichage indique « Anomalie Sonde température interne » 	Sonde thermique défectueuse.	Une personne qualifiée doit vérifier la sonde pour rechercher un circuit ouvert, ou contactez Grant.
L'écran indique « Anomalie Sonde température externe » 	La sonde de température externe n'est pas raccordée Sonde thermique défectueuse	Vérifiez que la sonde externe est correctement branchée sur le panneau arrière.. Une personne qualifiée doit vérifier la sonde pour rechercher un circuit ouvert, ou contactez Grant.
L'écran indique « Faute de Programme ». 	Un ou plusieurs segments de programme contien(nen)t un paramètre non valide ou n'a/ont pas pu être lu(s) dans la mémoire.	Rechargez le programme s'il s'agit d'un programme LabWise ou modifiez chaque segment de l'appareil (TXF200 uniquement).
L'écran indique « Surchauffe - puissance réduite ». 	De l'eau approche ou a atteint le point d'ébullition sans couvercle De très larges volumes de liquides sont chauffés, induisant une perte thermique importante.	Ajoutez un couvercle pour réduire les pertes thermiques et laissez l'unité fonctionner en ignorant l'avertissement « Surchauffe ». Si l'alarme ne s'est pas effacée dans l'heure qui suit, contactez Grant. Adoptez des mesures pour réduire les pertes thermiques et laissez l'unité fonctionner en ignorant l'avertissement « Surchauffe ». Si l'alarme ne s'est pas effacée dans l'heure qui suit, contactez Grant.
L'affichage indique « Service required 01 » (Entretien requis 01).	Fusible(s), relais ou élément du dispositif de chauffage défectueux.	Faites vérifier le produit par une personne qualifiée, ou contactez Grant.
L'affichage indique « Service required 02 » (Entretien requis 02).	Pompe ou hélice est obstruée Moteur défectueux	Retirer l'obstruction Faites vérifier le produit par une personne qualifiée, ou contactez Grant.
L'affichage indique « Échec Contre-vérification ».	Carte de circuits imprimés défectueuse	Faites vérifier le produit par une personne qualifiée, ou contactez Grant.

Pour toute requête concernant une erreur ou pour toute assistance, contactez le Service après-vente de Grant Instruments.

12.0 Contacter Grant Instruments

Grant s'efforce continuellement d'améliorer les performances offertes à ses clients. Si vous avez des remarques concernant les produits ou les services de Grant, nous serons heureux d'en prendre connaissance. Merci d'adresser vos commentaires à :

Quality Manager
Grant Instruments (Cambridge) Ltd
Shepreth
Cambridgeshire
SG8 6GB
ROYAUME-UNI

Tél. : +44 (0) 1763 260 811
Fax : +44 (0) 1763 262 410
E-mail: feedback@grantinstruments.com

13.0 Conformité

Directive WEEE

Grant Instruments est entièrement conforme aux exigences des normes WEEE (Waste Electrical & Electronic Equipment) 2006. Nous participons au programme de conformité B2B (Numéro d'homologation du programme WEE/MP3338PT/SCH), qui gère nos obligations WEEE pour notre compte. Le numéro d'enregistrement unique WEE/GA0048TZ à été attribué à Grant Instruments par l'agence environnementale.

Pour des informations plus détaillées sur les collectes WEEE au Royaume-Uni, contactez directement notre gestionnaire de Programme de conformité B2B au 01691 676 124.

Dans les autres pays, contactez le fournisseur de votre équipement.

Des informations WEEE générales sont disponibles sur le site : www.b2bcompliance.org.uk

Directive RoHS 5.5

Tous les produits couverts par ce manuel sont conformes aux exigences de la directive RoHS (Directive 2002/95/CE).

Sécurité électrique et compatibilité électromagnétique

Tous les produits couverts par ce manuel sont conformes aux exigences de la directive sur la basse tension (2006/95/CE) pour la sécurité électrique et de la directive CEM (2004/108/CE) pour la compatibilité électromagnétique. Consultez notre déclaration de conformité en troisième page de couverture.

FR

Grant Instruments, mit Sitz nahe Cambridge, England, ist ein weltweit führender Anbieter im Bereich der Herstellung und Entwicklung von Geräten zur Probenvorbereitung, wissenschaftlichen Analyse, Datenerfassung und Datenanalyse, dessen Lösungen sich an den globalen wissenschaftlichen und industriellen Markt richten.

Einhaltung von Normen und Qualität

Grants' Marke und Ruf basieren auf Qualität, Zuverlässigkeit und Genauigkeit. Wir achten darauf, dass unsere Produkte alle erforderlichen internationalen Sicherheitsnormen genau erfüllen.

Wir achten besonders auf die Sicherheitsprüfung von Produkten und nehmen in der Umsetzung der Produktsicherheitsnorm für Laborgeräte IEC 61010-1 weiterhin eine Spitzenstellung ein. Das Unternehmen betreibt sein Sicherheitsprüflabor gemäß den Anforderungen der Norm ISO 17025.

Grant betreibt ein Qualitätsmanagementsystem, das die Anforderungen von BS EN ISO 9001:2008 erfüllt.

Neben der Einhaltung dieser Norm hat sich Grant der stetigen Verbesserung verschrieben; der Schwerpunkt liegt dabei auf dem Verständnis dafür, was unseren Kunden und Lieferanten wichtig ist, und auf der Entwicklung unserer Systeme und unserer Arbeit gemäß ihren Bedürfnissen.

Wir sind sehr an Ihrer Meinung über Grants Produkte und Serviceleistungen interessiert. Bitte richten Sie Ihre Kommentare an:

Quality Manager
Grant Instruments (Cambridge) Ltd
Shepreth
Cambridgeshire
SG8 6GB
UK

Tel.: +44 (0) 1763 260 811
Fax: +44 (0) 1763 262 410
E-Mail: feedback@grantinstruments.com

Inhalt

Inhalt 2		
1.0	Produkte, für die dieses Dokument gilt	4
2.0	Arbeiten mit dieser Bedienungsanleitung	4
3.0	Sicherheitshinweise	5
3.1	Einhaltung von Sicherheitsnormen	5
3.2	Sicherheitssymbole	5
3.3	Sicherheitshinweise	5
4.0	Auspacken, Aufbau und Aufstellung	6
4.1	Auspacken des Geräts	6
4.2	Anbringen des Reglers an ST-Bäder	6
4.3	Anbringen des Reglers an P-Bäder	7
4.4	Anbringen des Reglers an individuelle Bäder	7
4.5	Abnehmen des Reglers von der Überbrückungsplatte	8
4.6	Empfohlene Flüssigkeiten	8
4.7	Aufstellung	9
4.8	Stromversorgung	9
4.9	Verwendung von Kühlzubehör (C1G, C2G, CW5)	9
5.0	Betriebsabläufe	10
5.1	Betrieb	10
5.1.1	Flüssigkeitsstand	10
5.1.2	Betrieb über 60 °C	10
5.1.3	Betrieb bei niedrigen Temperaturen	10
5.1.4	Verwendung der Pumpe	10
5.1.5	Verwendung des Relaisausgangs mit Umschaltkontakt	11
5.1.6	Leeren der ST-Bäder	12
5.1.7	Einrichten und Einschalten	12
5.1.8	Unterbrechung der Stromzufuhr	13
5.2	Verwendung des TX150 & TXF200	13
5.2.1	Bedienelemente auf der Vorderseite	13
5.2.2	Anschlüsse auf der Rückseite	14
5.2.3	Kommunikationsanschlüsse	14
5.2.4	Umschaltrelais-Anschluss	14
5.2.5	Eingang für externe Sonde	14
5.2.6	Einstellen des Übertemperaturthermostats	15
5.2.7	Display. Erklärung der Startbildschirm-Symbole.	15
5.2.8	Beschreibung der Benutzeroberfläche und der Steuerelemente	16
5.2.9	Einstellen der Kontrolltemperatur	16
5.2.10	Einstellen der Förderrate (nur TXF200)	16
5.2.11	Aktivieren einer Voreinstellung	17
5.2.12	Ausführen des Timers	17
5.2.13	Ausführen eines Programms	18
5.2.14	Aktivieren des Standby-Modus	19
5.2.15	Aufrufen des Menüs „Einstellungen“	19
5.3	Anzeigen, Bearbeiten und Speichern von Einstellungen	21
5.3.1	Einstellen von Voreinstellungen	21
5.3.2	Erstellen eines Programms (nur TXF200)	22
5.3.3	Bearbeiten eines Programms (nur TXF200)	24
5.3.4	Auswahl des Flüssigkeitstyps	25
5.3.5	Auswahl des Temperatursondentyps	26
5.3.6	Konfigurieren von Über- und Untertemperaturalarmen	27
5.3.7	Einstellen der Summerlautstärke	30
5.3.8	Auswahl einer Sprache	30
5.3.9	Relais-Test und -Konfiguration	31
5.3.10	Anzeigerundung	32

5.4	Abschließen einer Kalibrierung	33
5.4.1	Wiederherstellen der werkseitigen Kalibriereinstellungen	34
6.0	Technische Daten	35
6.1	Umgebungsbedingungen für den Betrieb	35
6.2	Elektrische Daten	35
6.3	Produktleistung	35
6.4	Angaben zum Badzubehör	35
7.0	Technische Tipps	36
7.1	Welches Wasser sollten Sie in Ihrem Bad verwenden?	36
7.2	Wie lässt sich Rost in Wasserbädern vermeiden	36
7.3	Wie lassen sich Algen und Bakterien vermeiden?	37
8.0	Garantieinformationen	37
9.0	Wartung und Service	37
9.1	Regelmäßige Wartungsmaßnahmen	37
9.2	Reinigung	37
9.3	Sicherungen	38
9.4	Auswechseln des Netzkabels	38
9.5	Routinemäßige Sicherheitsprüfungen	38
9.6	Wartung	38
10.0	Optionales Zubehör	38
11.0	Fehlerbehebung	39
12.0	Kontaktinformationen von Grant Instruments	42
13.0	Konformität	42

1.0 Produkte, für die dieses Dokument gilt

Diese Bedienungsanleitung gilt für folgende Produkte:

- TX150 & TX150L
- TXF200 & TXF200L

Die oben aufgeführten Produkte sind Präzisions-Immersionsthermostate für den Einsatz mit Bädern oder Zirkulatoren und nur für den Laborinnengebrauch durch qualifiziertes Personal bestimmt.

2.0 Arbeiten mit dieser Bedienungsanleitung

In dieser Bedienungsanleitung finden Sie Informationen zum effizienten und sicheren Auspacken, richtigen Einstellen und Bedienen des Immersionsthermostats. Wichtige Sicherheitshinweise, Symbole und Warnungen sind nachfolgend aufgeführt und gründlich durcharbeiten. Kapitel 4 enthält Informationen zum ordnungsgemäßen Auspacken und Aufstellen des Produktes. Kapitel 5 enthält Bedieninformationen für die Modelle TX150 & TXF200. Kapitel 6 und 7 enthalten technische Daten und Tipps. Die auf dieses Produkt gewährte Garantie gilt für DREI JAHRE und wird in Kapitel 8 ausführlich erläutert. Durch Ausfüllen des Online-Registrierungsformulars unter www.grantinstruments.com sollte das Produkt registriert werden.

Wenden Sie sich bitte an Grant Instruments oder Ihren lokalen Vertriebshändler, wenn ein technisches Problem auftreten sollte, das in dieser Bedienungsanleitung nicht behandelt wird oder Sie eine andere Frage zu diesem Produkt haben. Wir helfen Ihnen gerne weiter.

DE

3.0 Sicherheitshinweise

3.1 Einhaltung von Sicherheitsnormen

Immersionsthermostate von Grant erfüllen die Anforderungen der internationalen Sicherheitsnorm IEC 61010: Sicherheitsbestimmungen für elektrische Mess-, Steuer-, Regel- und Laborgeräte. Darüber hinaus erfüllen Sie die folgenden entsprechenden nationalen Normen:

EN 61010-2-010
UL 61010A-2-010
CAN/CSA-C22.2 NR. 61010-2-010-04.

3.2 Sicherheitssymbole

Die im Folgenden aufgeführten Symbole sind auf dem Gerät angebracht und werden in diesem Handbuch verwendet:



Achtung: Oberflächen und Wärmeträgerflüssigkeit können während und nach dem Gebrauch heiß sein



Vor Gebrauch des Wasserbads die Bedienungsanleitung beachten



Wichtiger Sicherheitshinweis

3.3 Sicherheitshinweise



Lesen Sie diese Anweisungen vollständig durch. Die Sicherheit wird möglicherweise beeinträchtigt, wenn sie nicht befolgt werden.



Verwenden Sie bei TX150/TXF200 stets nur die in dieser Bedienungsanleitung angegebenen Flüssigkeiten im aufgeführten Temperaturbereich. Abgegebene Dämpfe dürfen nicht eingeatmet werden, da sie giftig sein können. Flüssigkeiten sind sicher zu entsorgen und auszutauschen.



Verwenden Sie TX150/TXF200 nicht mit brennbaren Wärmeträgerflüssigkeiten.



Verwenden Sie TX150/TXF200 nicht, um Probenmaterial zu erhitzen, das zu einem Brand oder einer anderen Gefahr führen könnte.



Verwenden Sie das Gerät nicht in Gegenwart aggressiver oder explosiver chemischer Gemische.



Wenn Flüssigkeit auf oder in dem Gerät verschüttet wird, muss es von der Stromversorgung getrennt und anschließend von einer Fachkraft überprüft werden.



Der Betreiber ist für die Durchführung einer entsprechenden Dekontamination verantwortlich, wenn Gefahrstoffe auf das Gerät geschüttet werden.



Wenn auf dem Bildschirm eine Warnmeldung angezeigt wird, sollten Sie die Flüssigkeit bzw. die Oberflächen des Bads nicht berühren, da diese sehr heiß werden können.



Sorgfältig nachfüllen, da eine heiße Heizung ein Verspritzen siedenden Wassers verursachen und heißen Wasserdampf erzeugen kann.



Berühren Sie keine Oberflächen, die beim Betrieb mit hohen Temperaturen heiß werden können.

4.0 Auspacken, Aufbau und Aufstellung

4.1 Auspacken des Geräts

Zum Standard-Lieferumfang gehören:

- Immersionsthermostat (TX150 oder TXF200)
- Pumpenabflussplatten
- Netzkabel mit Stecker
- Bedienungsanleitung
- Kurzanleitung

Das Zubehör zu Bädern der ST-Serie umfasst:

- Edelstahlbad
- Überbrückungsplatte
- Umwälzeinsatz (nur Bäder ST18, ST26 und ST38)

Das Zubehör zu Bädern der P-Serie umfasst:

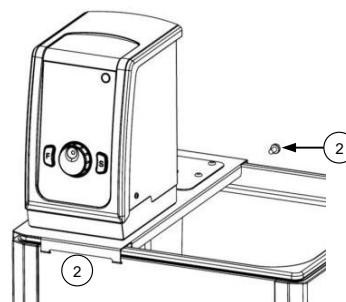
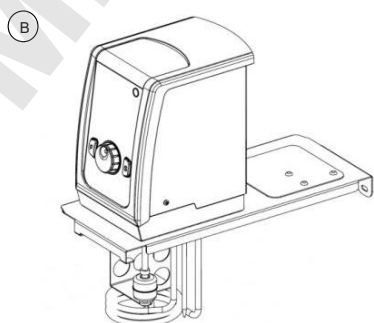
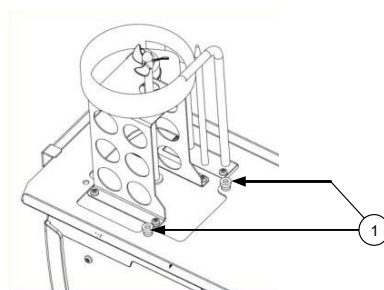
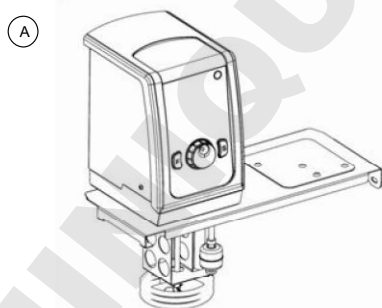
- Kunststoffbad
- Überbrückungsplatte

Entfernen Sie vorsichtig das Verpackungsmaterial und bewahren Sie es für den späteren Versand oder die Aufbewahrung des Gerätes auf.

4.2 Anbringen des Reglers an ST-Bäder

TX150/TXF200 kann an die Edelstahlbäder ST5, ST12, ST18, ST26 und ST38 je nach Belieben in zwei Stellungen – zum Arbeitsbereich des ST-Bads zeigend (A) oder nach außen zeigend (B) – angebracht werden.

1. Schieben Sie TX150/TXF200 durch die Öffnung der Überbrückungsplatte und richten Sie den Regler mithilfe des Befestigungsgewindes aus. Mit den Muttern befestigen (1). Nur handfest anziehen.
2. Hängen Sie die Baugruppe in die Schlitze am ST-Bad ein und verwenden Sie die mitgelieferte Halterung, um sie an der Rückseite des Bads zu befestigen (2).



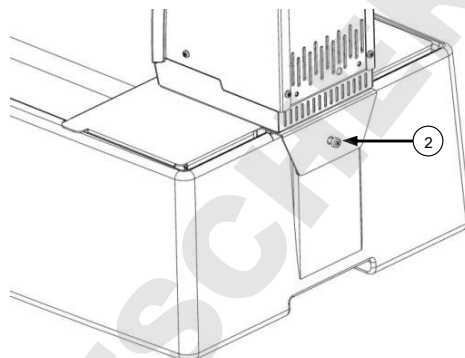
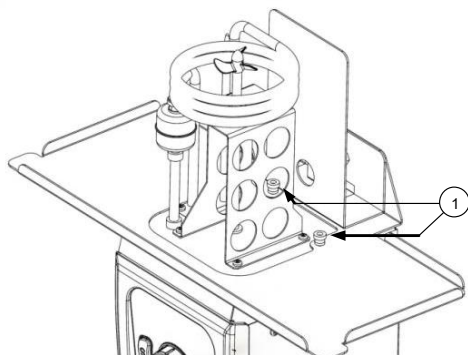
DE

Setzen Sie den Umwälzeinsatz auf den Boden des Flüssigkeitsbehälters. Die große Aussparung muss sich im Einsatz unter dem Regler befinden (nur ST18, ST26 und ST38).

4.3 Anbringen des Reglers an P-Bäder

TX150/TXF200 kann an die Kunststoffbäder P5, P12 und P18 angebracht werden:

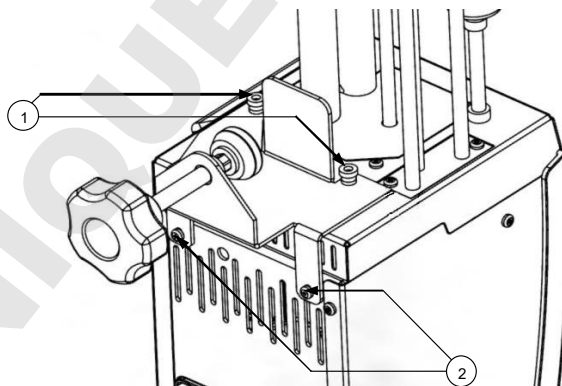
1. Schieben Sie TX150/TXF200 durch die Öffnung der Überbrückungsplatte und richten Sie den Regler mithilfe des Befestigungsgewindes aus. Mit den Muttern befestigen (1). Nur handfest anziehen.
2. Setzen Sie die Baugruppe auf das P-Bad und verwenden Sie die mitgelieferte Halterung, um sie an der Rückseite des Bads zu befestigen (2).



4.4 Anbringen des Reglers an individuelle Bäder

Eine an TX150/TXF200 angebrachte Klemme ermöglicht die Anbringung an ein Bad oder einen Behälter eines anderen Herstellers als Grant mit einer Wandstärke von bis zu 30 mm. So bringen Sie die Klemme an TX150/TXF200 an:

1. Setzen Sie die Klemme über die Befestigungsgewinde auf dem Boden von TX150/TXF200. Mit den Muttern befestigen. Nur handfest anziehen.
2. Rückwärtige Klemmbefestigungen anbringen, um die Rückseite von TX150/TXF200 zu befestigen.



Achten Sie darauf, die Klemme nicht zu fest anzuziehen, um eine Beschädigung der Klemme oder des Behälters zu vermeiden.



Der Flüssigkeitsbehälter, auf dem das Gerät befestigt wird, muss stabil sein und die erforderliche Robustheit, sowie mechanische, chemische und thermische Widerstandsfähigkeit besitzen.

Die Klemme nicht in einer Spülmaschine oder mit Entkalker reinigen. Den Gewindeschaff der Klemme nicht eintauchen. Gewindeschaff und Klemme nach der Reinigung immer abtrocknen. Die Gewinde können mit einer kleinen Menge leichtem Maschinenöl geschmiert werden.

4.5 Abnehmen des Reglers von der Überbrückungsplatte

Lassen Sie die Arbeitsflüssigkeit abkühlen, bevor Sie TX150/TXF200 von der Überbrückungsplatte abnehmen. Nehmen Sie TX150/TXF200 und die Überbrückungsplatte zusammen vom Bad oder Behälter ab. Gehen Sie vorsichtig vor, da sich in der Pumpe eine kleine Menge der Arbeitsflüssigkeit befindet, die bei der Handhabung des Geräts ausläuft. Lösen Sie die Muttern und entfernen Sie die Überbrückungsplatte. Befestigen Sie die Muttern zur sicheren Verwahrung an den Befestigungsgewinden.

4.6 Empfohlene Flüssigkeiten

In der folgenden Tabelle sind die empfohlenen Flüssigkeiten für unterschiedliche Temperaturbereiche aufgeführt. Achten Sie stets darauf, dass die verwendete Flüssigkeit sicher und für Ihre Betriebstemperatur geeignet ist. Bei Verwendung von nicht empfohlenen Wärmeträgerflüssigkeiten obliegt es der Verantwortung des Benutzers, eine Analyse durchzuführen, um sicherzustellen, dass die vorgesehene Flüssigkeit mit TX150/TXF200 und dem Behälter kompatibel ist.



Um Schutz bieten zu können, muss die Übertemperaturabschaltung für die ausgewählte Wärmeträgerflüssigkeit entsprechend eingestellt werden (siehe Tabelle).



Bei Verwendung von nicht empfohlenen Wärmeträgerflüssigkeiten ist es wichtig, die Übertemperaturabschaltung auf einen Wert einzustellen, der mindestens 25 °C unter dem Flammpunkt der Flüssigkeit liegt. Bitte wenden Sie sich im Zweifelsfall an den technischen Kundendienst von Grant.



Verwenden Sie Absaugung bei der Verwendung von Silikon-Flüssigkeiten bei erhöhten Temperaturen

Temperaturbereich	Empfohlene Flüssigkeit	Einstellung für Abschaltung	Anmerkungen
-50 °C bis 50 °C	Silikonöl, niedrige Viskosität	60 °C	Bayer Silicone M3 ist eine geeignete Flüssigkeit
-30 °C bis 70 °C	50 % Wasser, 50 % Frostschutzmittel (Ethylenglykol mit Inhibitor)	80 °C	WARNUNG: Ethylenglykol ist giftig – beachten Sie die Anweisungen des Herstellers. Beachten Sie zum sicheren Entsorgen Ihre lokalen Bestimmungen. Verwenden Sie einen Deckel, um ein Verdünnen der Lösung durch kondensierenden Wasserdampf aus der Luft zu verhindern und die gewünschte Abkühlrate beizubehalten.
0 °C bis 30 °C	80 % Wasser, 20 % Frostschutzmittel (Ethylenglykol mit Inhibitor)	40 °C	
5 °C bis 99,9 °C	Wasser*	110 °C	Wasser kann verwendet werden, es sollte jedoch berücksichtigt werden, dass bei über 60 °C entstehender Wasserdampf gefährlich sein kann. Verwenden Sie bei Temperaturen über 60 °C einen Deckel oder Polypropylenkugeln, um eine gute Leistung sicherzustellen und Verdampfungen zu verringern. Bei Temperaturen nahe 99 °C wird die Temperaturregelung aufgrund von lokalisiertem Sieden reduziert. *Die Geräte dürfen nicht zum Kochen von Wasser verwendet werden.
70 °C bis 150 °C	Silikonflüssigkeit Viskosität ~20 cSt Flammpunkt ≥ 230 °C Verbrennungspunkt ≥ 280 °C	160 °C	Dow Corning Silikonflüssigkeit DC200/20 ist eine geeignete Flüssigkeit – beachten Sie die Anweisungen des Herstellers. Beachten Sie zum sicheren Entsorgen Ihre lokalen Bestimmungen.
70 °C bis 200 °C	Silikonflüssigkeit Viskosität 50 cSt Flammpunkt ≥ 285 °C Brennpunkt ≥ 340 °C	210 °C	Baysilone Silikonflüssigkeit M 50 EL ist eine geeignete Flüssigkeit – beachten Sie die Anweisungen des Herstellers. Beachten Sie zum sicheren Entsorgen Ihre lokalen Bestimmungen.

DE

Temperaturbereich	Empfohlene Flüssigkeit	Einstellung für Abschaltung	Anmerkungen
-50 °C bis 150 °C oder 200 °C	Keine	Wie es die Sicherheit erfordert	Bereich „Überschreiben“ - Der Benutzer muss eine geeignete sichere Flüssigkeit auswählen und vor der Verwendung eine eigene Risikobewertung vornehmen. Beachten, dass die Steuerung bei Verwendung dieser Einstellung beeinträchtigt sein kann, da die Flüssigkeitsmerkmale unbekannt sind.

4.7 Aufstellung



Stellen Sie das Bad auf eine ebene und nicht brennbare Oberfläche. Netzschalter und Gerätestecker auf der Geräterückseite müssen leicht zugänglich sein.



Wenn das Gerät bei Kälte oder Feuchtigkeit transportiert oder aufbewahrt wird, kann sich im Geräteinnern Kondenswasser bilden. Lassen Sie in einem solchen Fall das Kondenswasser verdunsten (mindestens zwei Stunden bei Raumtemperatur), bevor Sie das Gerät verwenden.



Lüftungsschlitze dürfen niemals blockiert oder verstellt werden.

4.8 Stromversorgung



Überprüfen Sie, ob die auf dem Seriennummernetikett angegebene Netzspannung und der Netzsteckertyp für Ihre Schutzkontaktsteckdose mit Erdanschluss geeignet sind.

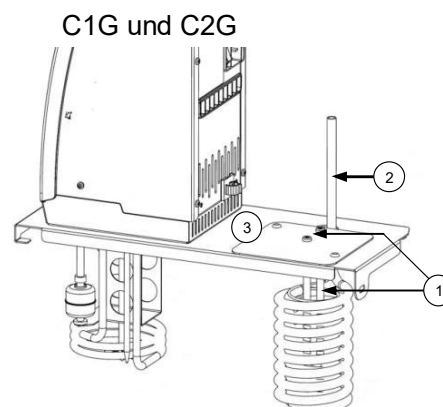
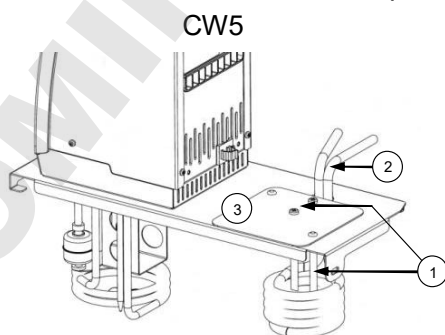


TX150/TXF200 darf ausschließlich mit dem mitgelieferten Netzkabel oder einem Kabel mit identischer Leistung an das Stromnetz angeschlossen werden (siehe Kapitel 9.4).

4.9 Verwendung von Kühlzubehör (C1G, C2G, CW5)

Kühlzubehör wird für den Betrieb bei Temperaturen unterhalb der Raumtemperatur benötigt. Tauchkühler (C1G und C2G) können für den Betrieb bis minimal -15 °C verwendet werden. Eine Wasser-Wärmetauscherspule (CW5) kann für den Betrieb bei Temperaturen um die Raumtemperatur eingesetzt werden. Die Spulen werden folgendermaßen angebracht:

1. Befestigen Sie die U-förmige Spulenführungsstange mithilfe der beiden mitgelieferten Befestigungen (1) am Abdeckblech.
2. Schieben Sie die Kühlschleife durch die Öffnung der Überbrückungsplatte und richten Sie die Abflussschläuche mit der Aussparung (2) aus.
3. Setzen Sie das Abdeckblech (3) auf die Überbrückungsplatte und befestigen Sie es mit den mitgelieferten Befestigungen. Die Spulenführungsstange muss fest an der Innenseite der Spule ansitzen und sie sicher festhalten. Stellen Sie vor Aufnahme des Betriebs sicher, dass die Spule fest und sicher sitzt.



5.0 Betriebsabläufe

5.1 Betrieb

5.1.1 Flüssigkeitsstand

Der minimale und maximale Flüssigkeitsstand bei Grant Zubehörbädern sind in Kapitel 6.4 definiert. Der Flüssigkeitsstand sollte stets zwischen diesen Werten liegen. Diese Werte gelten sowohl, wenn das Bad keine Gefäße enthält, als auch bei maximaler Befüllung. Bei Verwendung von verdampfbaren Flüssigkeiten muss der Füllstand regelmäßig kontrolliert und aufgefüllt werden. Wenn der Flüssigkeitsstand unter den Mindestfüllstand absinkt, löst der Schwimmerschalter einen Alarm aus und schaltet das Gerät die Heizung ab und stoppt die Temperaturregelung.

5.1.2 Betrieb über 60 °C

Bei Temperaturen über 60 °C müssen ein Deckel bzw. Polypropylenkugeln verwendet werden, um die Temperaturregelung aufrechtzuerhalten und sicherzustellen, dass die Badflüssigkeitstemperatur den Sollwert erreicht. Durch die Vermeidung übermäßiger Verdunstung wird Energie gespart und muss das Bad weniger häufig aufgefüllt werden. Aus Sicherheitsgründen kann TX150/TF200 beim Erhitzen von Wasser beim oder nahe am Siedepunkt über einen längeren Zeitraum oder beim Erhitzen großer Flüssigkeitsmengen mit großen Wärmeverlusten ohne die Verwendung eines Deckels oder von Polypropylenkugeln die Meldung „Overheating - power reduced“ (Überhitzung - verringerte Leistung) anzeigen. In diesem Fall ist die Heizleistung um 50 % verringert. Weitere Informationen hierzu finden Sie in Kapitel 11.

Es ist darauf zu achten, dass die hinteren Zuluftöffnungen frei sind und über diese beim Betrieb mit Wasser beim oder nahe am Siedepunkt oder mit anderen verdampfenden Flüssigkeiten möglichst wenig Dampf oder Rauch eintritt.



Seien Sie beim Anheben und Abnehmen des Deckels vorsichtig, da dieser heiß sein kann. Heiße Dämpfe können Verbrennungen hervorrufen.

5.1.3 Betrieb bei niedrigen Temperaturen

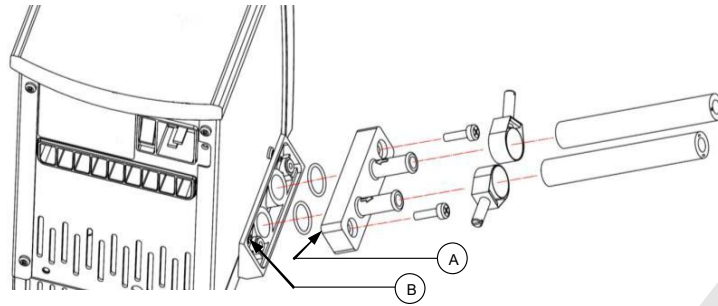
Kühlzubehör wird für den kontrollierten Betrieb bei Temperaturen unter bzw. bei Raumtemperatur benötigt. Die Mindestbetriebstemperatur ohne Kühlzubehör hängt von der Badkapazität ab. Die kleinen Bäder, P5 und ST5, besitzen eine Mindestbetriebstemperatur von etwa 10 °C über Raumtemperatur ohne Deckel und 15 °C über Raumtemperatur mit Deckel. Andere Badkapazitäten können bei einer Temperatur von 5 °C über Raumtemperatur verwendet werden.

5.1.4 Verwendung der Pumpe

Bei TC120 kann die Flüssigkeit in einem geschlossenen externen System gepumpt werden (ohne Berührung zur umgebenden Atmosphäre). Das Gerät darf nur dann zum Umwälzen über einen externen offenen Flüssigkeitsbehälter verwendet werden, wenn eine Schwerkraftrückführung vorhanden ist. Bei einem offenen System sollte eine Analyse durchgeführt werden, um sicherzustellen, dass die Flüssigkeitsstände während des Betriebs stabil sind und es nicht zu einem Trockenlaufen oder Überlaufen eines Behälters kommen kann. Die Pumpe ist mit einer standardmäßigen Abdeckplatte ausgestattet. Montieren Sie eine Pumpenanschlussplatte wie nachfolgend dargestellt. Hinweis: Die Abdeck- und die Anschlussplatte besitzen ein Positionierungsloch (siehe A unten) als Hilfestellung bei der korrekten Ausrichtung auf dem Pumpenaufsatz. Prüfen

DE

Sie unbedingt, dass das Loch am dazugehörigen Fixierstift (siehe B unten) auf dem Pumpenaufsatz ausgerichtet ist. Ein Nichtbefolgen hat einen undichten Anschluss zur Folge. Bewahren Sie die Abdeckplatte auf, falls die Pumpe später nicht mehr verwendet wird.



Verwenden Sie stets nur für die jeweilige Betriebstemperatur und Flüssigkeit geeignete Pumpenanschlüsse und Schläuche. Prüfen Sie, dass alle Schlauchverbindungen dicht sind.

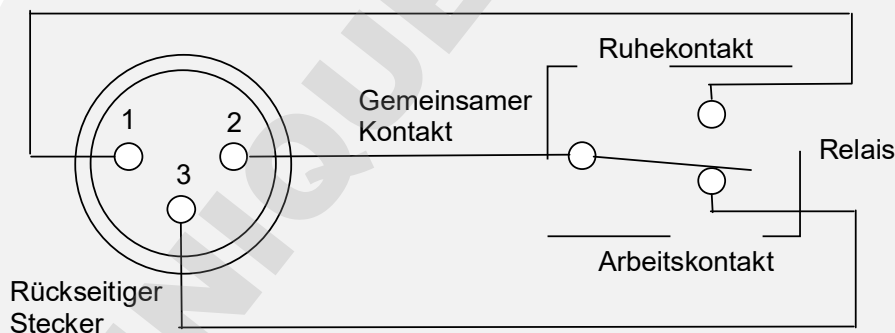


Entfernen Sie niemals Anschlussstücke und Schläuche, wenn sie noch sehr heiße bzw. kalte Flüssigkeit enthalten oder TX150/TXF200 noch pumpt.

Das Pumpen von Wärmeträgerflüssigkeit in einem externen System kann zu Gefahren führen, die außerhalb der Kontrolle von Grant Instruments liegen. Es ist von entscheidender Bedeutung, dass der Benutzer eine Gefahrenanalyse der gesamten Geräteinstallation durchführt, um sicherzustellen, dass durchweg geeignete Materialien verwendet wurden und das System sicher verwendet werden kann.

5.1.5 Verwendung des Relaisausgangs mit Umschaltkontakt

Ein internes Relais ist mit Umschaltkontakten ausgestattet, die zur Steuerung externer Geräte verwendet werden können. Für den rückseitigen 3-poligen Rundstecker gilt die folgende Anschlussbelegung:



Verwenden Sie für das Anschlusskabel einen passenden XLR-Kabelsteckverbinder wie den von der Neutrik AG hergestellten NC3FXX.

Die Umschaltkontakte sind für 24 V Wechselstrom oder Gleichstrom bei 2 A maximal ausgelegt.



Das Relais ist für 24 V Wechselstrom oder Gleichstrom bei 2 A ausgelegt; es darf nicht an größere Spannungen angeschlossen werden oder versucht werden, größere Ströme zu schalten, um Verletzungen oder Beschädigungen des Geräts zu vermeiden.



Schon Spannungen von nur 22 V Wechselstrom können an Stellen gefährlich sein, wo die Haut nass werden könnte. Bei der Konfektion des Kabels für den Anschluss Ihres Geräts an den Relaisanschluss ist am TX150/TXF200 darauf zu achten, dass das verwendete Isoliersystem geeignet ist, um vor der Spannungsabgabe des Geräts für die Relaischaltung zu schützen.



Stets nur Kabel der Länge und Isolationsklasse verwenden, die der zu schaltenden Spannung entsprechen. Wenden Sie sich im Zweifelsfall an Grants technischen Kundendienst.

5.1.6 Leeren der ST-Bäder

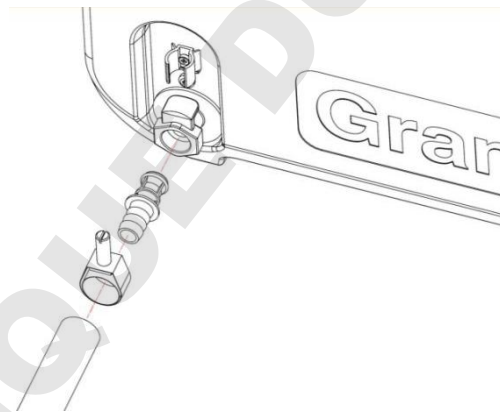
Die Bäder ST12, ST18, ST26 und ST38 müssen vor dem Transport bis auf einen sicheren Füllstand geleert werden. Diese Bäder werden mit einem Ablasshahn geliefert, der ein bequemes Entleeren ermöglicht.



Vor der Entleerung oder dem Transport des Bades sollte die Flüssigkeitstemperatur auf ein sicheres Niveau absinken.

ACHTUNG: Wird das Bad bei Temperaturen über 50 °C abgelassen, wird der Ablassmechanismus beschädigt und muss ersetzt werden. Achten Sie darauf, beim Entleeren nichts zu verschütten.

Entleeren Sie das Bad, indem Sie das mitgelieferte Ablassstück wie nachfolgend dargestellt in den Ablasshahn schieben. Bitte beachten Sie, dass die Badflüssigkeit abzulaufen beginnt, wenn das Ablassstück vollständig auf den Stützen aufgeschoben ist. Bei Bedarf kann auf das andere (mit Häkchen versehene) Ende des Ablassstückes ein Verlängerungsschlauch aufgesteckt werden.



5.1.7 Einrichten und Einschalten

Schließen Sie TX150/TXF200 sicher an das gewünschte Bad oder den Behälter an. Befüllen Sie das Bad mindestens bis zum empfohlenen Mindestfüllstand mit der geeigneten Arbeitsflüssigkeit, sodass der Schwimmerschalter vollständig angehoben ist.

Schließen Sie TX150/TXF200 an eine geerdete Netzsteckdose an, die eine Spannung und Frequenz in dem Bereich liefert, der auf dem Typenschild mit der Seriennummer angegeben ist.

Schalten Sie TX150/TXF200 über den Netzschalter auf der Geräterückseite ein. Der Motor läuft unmittelbar an und der Summer ertönt beim Start des Geräts. Beim Starten wird auf dem Display die Softwareversion angezeigt, bevor der Startbildschirm angezeigt wird. TX150/TXF200 ist betriebsbereit.

Ziehen Sie den Netzstecker aus der Schutzkontaktsteckdose, um das Gerät vom Netz zu trennen.

DE

5.1.8 Unterbrechung der Stromzufuhr

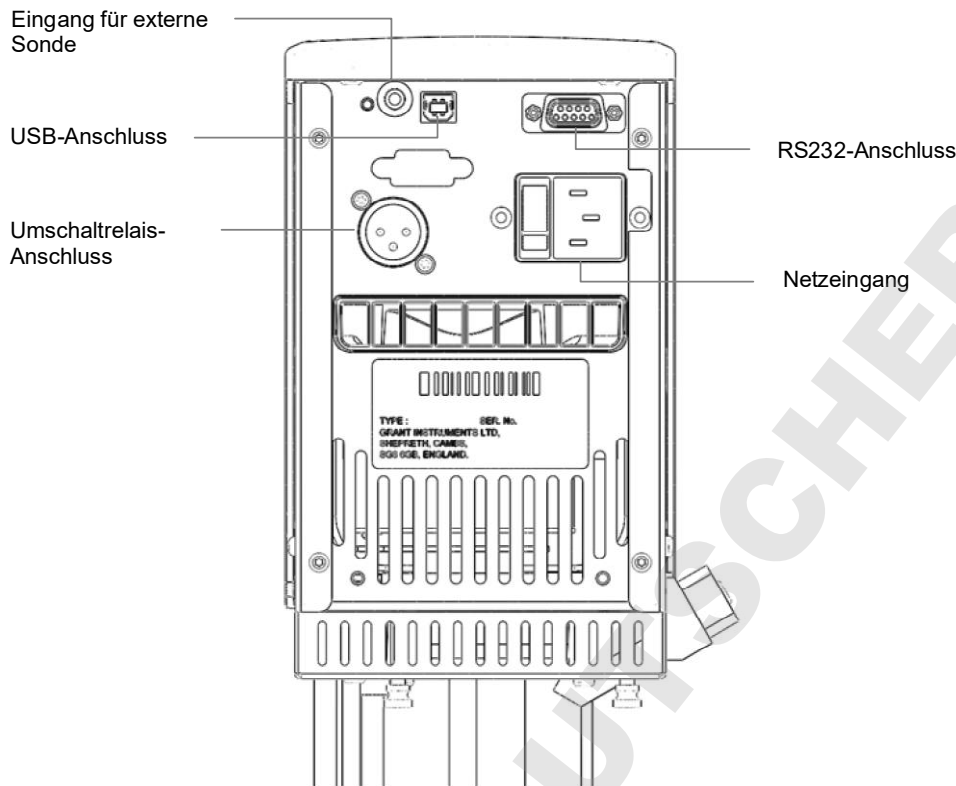
Wenn die Stromzufuhr entweder durch Ausschalten des Geräts oder einen Stromausfall unterbrochen wird, kehrt das Gerät bei Wiederherstellung der Stromzufuhr auf die Startseite (siehe 5.2.7) mit der letzten gültigen Solltemperatur und Pumpendrehzahl zurück. Beachten Sie, dass falls gerade ein Programm lief (siehe 5.2.13), die Solltemperatur die Temperatur ist, die vor dem Starten des Programms eingestellt wurde. Wenn gerade eine Voreinstellung verwendet wurde (siehe 5.2.11), sind Solltemperatur und Pumpendrehzahl korrekt, der voreingestellte Wert wird jedoch nicht angezeigt. Die Zeituhr (siehe 5.2.12) wird angehalten.

5.2 Verwendung des TX150 & TXF200

5.2.1 Bedienelemente auf der Vorderseite



5.2.2 Anschlüsse auf der Rückseite



5.2.3 Kommunikationsanschlüsse

TX150 und TXF200 haben einen RS232- und einen USB-Anschluss für die Kommunikation mit einem PC, auf dem die Grant Labwise™-Software läuft. Labwise™ bietet die Möglichkeit, rechnerfern Programme zu konfigurieren, zu steuern und zu überwachen sowie Programm-Temperaturdaten zu protokollieren. Bitte nur RS232-Kabel verwenden, die von Grant Instruments geliefert wurden. Das USB-Kabel ist ein Kabel vom Typ A-B

5.2.4 Umschaltrelais-Anschluss

Ein internes Relais ist mit Umschaltkontakten ausgestattet, die zur Steuerung externer Geräte verwendet werden können. Weitere Informationen zu Relais-Kontakten und Stecker-Typen finden Sie in Kapitel 5.1.5.

5.2.5 Eingang für externe Sonde

Zum Anschluss eines von Grant Instruments erhältlichen externen PT1000 Temperaturfühlers

DE

5.2.6 Einstellen des Übertemperaturthermostats

Eine Übertemperaturabschaltung mit einer Temperaturskala befindet sich oben rechts am Gerät. Die Übertemperatursonde überwacht unabhängig die Badtemperatur und schaltet die Heizung ab, wenn die Temperatur die Abschaltschwelle überschreitet.

Grobeinstellung des Übertemperaturthermostats

Drehen Sie den Regler der Übertemperaturabschaltung übereinstimmend mit der gekennzeichneten Skala auf die gewünschte Einstellung. Diese sollte höher als der Temperatursollwert liegen, um zu verhindern, dass die Abschaltung vor Erreichen des Temperatursollwerts erfolgt.

Wird der Alarm ausgelöst, kann er durch einmaliges Drücken der Taste **F** oder **S** abgestellt werden. Um TX150/TXF200 weiterhin zu verwenden, lassen Sie die Badflüssigkeit um mindestens 5 °C abkühlen, entweder natürlich oder durch den Austausch der Flüssigkeit, schalten Sie das Gerät aus, warten Sie 10 Sekunden und schalten Sie es wieder ein, um den Alarm auszuschalten. Um ein fehlerhaftes Auslösen zu vermeiden, muss der Auslösepunkt mindestens 5 °C über der gewünschten Kontrolltemperatur eingestellt werden.

Alternative Einstellung des Übertemperaturthermostats

Drehen Sie den Regler der Übertemperaturabschaltung auf das Maximum (oder auf mindestens einen Wert oberhalb des erforderlichen Pegels) und konfigurieren Sie den Temperatursollwert auf das erforderliche Abschaltungsniveau. Lassen Sie das Bad den Temperatursollwert erreichen und sich mindestens 5 Minuten stabilisieren. Drehen Sie den Regler der Übertemperaturabschaltung langsam gegen den Uhrzeigersinn, bis ein Übertemperaturfehler auf dem Bildschirm angezeigt wird und das Alarmsignal kontinuierlich ertönt. Dadurch wird der Auslösepunkt für die Übertemperaturabschaltung auf den Temperatursollwert eingestellt. Der akustische Alarm kann durch einmaliges Drücken der Taste **F** oder **S** gelöscht werden.

Um TX150/TXF200 weiterhin zu verwenden, lassen Sie die Badflüssigkeit um mindestens 5 °C abkühlen, entweder natürlich oder durch den Austausch der Flüssigkeit, schalten Sie das Gerät aus, warten Sie 10 Sekunden und schalten Sie es wieder ein, um den Alarm auszuschalten. Um ein fehlerhaftes Auslösen zu vermeiden, muss der Auslösepunkt mindestens 5 °C über der gewünschten Kontrolltemperatur eingestellt werden.

5.2.7 Display. Erklärung der Startbildschirm-Symbole.



5.2.8 Beschreibung der Benutzeroberfläche und der Steuerelemente

TX150/TXF200 hat einen TFT-Farbbildschirm, einen Hauptregler und zwei **F**- und **S**-Tasten. Alle Funktionen (Einstellung von Temperatur, Förderrate, Timer, Voreinstellungen, Programmeinstellungen und Standby-Modus) können vom Startbildschirm aus konfiguriert werden. Die Navigation auf dem Startbildschirm erfolgt durch Drehen des Hauptreglers; dadurch bewegt sich ein weißer Cursor zum Hervorheben von Funktionssymbolen. Wird die **S**-Taste gedrückt, wenn das Symbol hervorgehoben ist, ändert sich die Cursorfarbe nach rot, wird das Symbol aktiviert und können Änderungen vorgenommen werden. Beim Symbol „Einstellungen“ werden weitere Menüs angezeigt.

Mit der **F**-Taste lassen sich hauptsächlich Funktionen und Menüs beenden. Wenn **F** auf dem Startbildschirm gedrückt wird, während der Cursor weiß ist, wird das Menü „Einstellungen“ angezeigt.

5.2.9 Einstellen der Kontrolltemperatur



1. Drehen Sie den Regler, bis das Symbol **Temperatursollwert** hervorgehoben ist und drücken Sie die **S**-Taste.
2. Stellen Sie mit dem Regler die gewünschte Temperatur ein.
*Wenn 10 Sekunden lang keine Taste oder **F** gedrückt wird, wird das Symbol „Temperatursollwert“ deaktiviert und der ursprüngliche Wert bleibt erhalten.*
3. Drücken Sie die Taste **S**, um den angeforderten Wert zu speichern.

Wenn die gewählte Temperatur höher als die aktuelle Flüssigkeitstemperatur ist, schaltet sich die Heizung ein und das Heizungssymbol wird angezeigt.

Der Temperatureinstellbereich wird auf den Betriebsbereich der ausgewählten Flüssigkeit begrenzt.

Siehe Abschnitt 4.6 zu den zulässigen Temperaturen für die einzelnen Flüssigkeiten.

5.2.10 Einstellen der Förderrate (nur TXF200)



1. Drehen Sie den Regler, bis das Symbol **Förderrate** hervorgehoben ist und drücken Sie die **S**-Taste.
2. Drehen Sie den Regler, um die gewünschte Förderrate in einem Bereich von 1 bis 5 einzustellen (1 = niedrigste, 5 = höchste Drehzahl).
*Wenn 10 Sekunden lang keine Taste oder **F** gedrückt wird, wird das Symbol „Förderrate“ deaktiviert und der ursprüngliche Wert bleibt erhalten.*
3. Drücken Sie die Taste **S**, um die Förderrate zu speichern.

Die Pumpe läuft jetzt mit der gespeicherten Förderrate.

Bei einer Temperatursollwert höher als 150 °C, wird die Pumpe automatisch bei einer Geschwindigkeit von 3 betrieben

DE

5.2.11 Aktivieren einer Voreinstellung

Jedes TX150/TXF200-Gerät enthält drei Voreinstellungen, die für verschiedene Temperatursollwerte konfiguriert werden können. Bei TXF200 kann darüber hinaus die Förderrate konfiguriert werden. So kann das Bad komfortabel bei häufig verwendeten Temperaturen und Förderraten betrieben werden. Weitere Informationen zur Konfiguration von Voreinstellungen finden Sie in Kapitel 5.3.1.



1. Drehen Sie den Regler, bis das Symbol **Voreinstellungen** hervorgehoben ist und drücken Sie die **S**-Taste.
2. Drehen Sie den Regler, um die gewünschte Voreinstellung 1, 2 oder 3 auszuwählen, und drücken Sie **S**, um die Voreinstellung zu übernehmen.

Die Voreinstellung startet automatisch, sobald die Taste S gedrückt wird.

Wenn 10 Sekunden lang keine Taste oder F gedrückt wird, wird das Symbol „Voreinstellungen“ deaktiviert und der ursprüngliche Wert bleibt erhalten.

Wenn die Solltemperatur der Voreinstellung nicht für die ausgewählte Flüssigkeit (z.B. eine Voreinstellung von 150 °C bei Verwendung von Wasser) zulässig ist, kehrt das Voreinstellungssymbol auf „-“ zurück und die Voreinstellung wird nicht verwendet.

Siehe Abschnitt 4.6 zu den zulässigen Temperaturen für die einzelnen Flüssigkeiten.

5.2.12 Ausführen des Timers

Der Timer von TX150/TXF200 kann im Bereich zwischen 1 Minute und 99 Stunden eingestellt werden. Der Timer kann so konfiguriert werden, dass nach Ablauf des Countdowns ein Summer ertönt. Weitere Informationen zur Konfiguration des Timers finden Sie in Kapitel 5.3.2.



1. Drehen Sie den Regler, bis das Symbol **Timer** hervorgehoben ist und drücken Sie die **S**-Taste.
*Der Timer zeigt die zuletzt eingestellte Countdown-Zeit an.
Wenn 10 Sekunden lang keine Taste oder F gedrückt wird, wird die Timereinstellung deaktiviert und der ursprüngliche Wert bleibt erhalten.*
2. Drehen Sie den Regler, um die gewünschte Countdown-Zeit auszuwählen, und drücken Sie zum Speichern **S**.

Der Timer läuft von der eingestellten Zeit an. Nach Ablauf der eingestellten Zeit ertönt ein Summer. Dieser Vorgang kann durch Drücken von F oder S abgebrochen werden.

So brechen Sie einen aktiven Timer ab:

1. Drehen Sie den Regler, bis das Symbol **Timer** hervorgehoben ist und drücken Sie die **S**-Taste.
2. Drücken Sie die Taste **F**, um den Timer abzubrechen.

Der Timer wird angehalten.

5.2.13 Ausführen eines Programms

TX150/TXF200 kann automatische, als Programme bezeichnete Temperaturprofile ausführen. TX150 kann 1 Programm mit 30 einzelnen Temperatur-/Zeitsegmenten speichern. TX150 kann nur mithilfe der Grant Labwise™ Software installiert und bearbeitet werden. TXF200 kann 10 Programme mit jeweils 100 einzelnen Zeit-/Temperatursegmenten speichern. TXF200-Programme können direkt am Gerät oder über die Grant Labwise™ Software konfiguriert werden. Weitere Informationen zur Programmkonfiguration am Gerät (nur TXF200) finden Sie in Kapitel 5.3. Wenn ein Programm ausgeführt wird, ist der Symbolzugriff auf die Standby- und Programmfunktionen eingeschränkt.



1. Drehen Sie den Regler, bis das Symbol **Programm** hervorgehoben ist und drücken Sie die **S**-Taste.

*Wenn 10 Sekunden lang keine Taste oder **F** gedrückt wird, wird das Symbol „Programm“ deaktiviert und der ursprüngliche Wert bleibt erhalten.*

2. Drehen Sie den Regler, bis das gewünschte Programm angezeigt wird (TXF200 = 1 bis 10). Standardmäßig zeigt TX150/TXF200 das Programm „-“ an. Das bedeutet, dass kein Programm ausgewählt wurde. Drücken Sie **S**, um das Programm auszuwählen.

Das ausgewählte Programm startet dann. Auf dem Display wird die Solltemperatur des ersten Segments angezeigt, und der Timer gibt die Restdauer des Programms an. Bei TXF200 wird die für das erste Segment eingestellte Förderrate angezeigt. Wenn ein Programm läuft, kann nur das Standby-Symbol ausgewählt werden.

*Am Ende eines Programms ertönt ein Summer; dies kann mit **F** oder **S** abgebrochen werden.*

Wenn das Programm ungültig ist und z.B. keine Segmente eingestellt wurden, oder ein Segment des Programms eine Solltemperatur enthält, die für die ausgewählte Flüssigkeit ungültig ist, z.B. beim Versuch, die Temperatur bei Verwendung von Wasser auf 150 °C hochzufahren, wird das Programm nicht ausgeführt und wechselt das Programmsymbol zu „-“. Bearbeiten Sie das Programm oder wählen Sie eine geeignete Flüssigkeit aus.

Siehe Abschnitt 4.6 zu den zulässigen Temperaturen für die einzelnen Flüssigkeiten.

So halten Sie ein Programm an:

1. Drehen Sie den Regler, bis das Symbol **Programm** hervorgehoben ist und drücken Sie die **S**-Taste.

*Wenn 10 Sekunden lang keine Taste oder **F** gedrückt wird, wird das Symbol „Programm“ deaktiviert, der ursprüngliche Wert bleibt erhalten und das Programm wird weiterhin ausgeführt.*

2. Drehen Sie den Regler, bis „-“ angezeigt wird und drücken Sie **S** zur Auswahl.

Das Programm hält an. Auf dem Display wird die Solltemperatur angezeigt, die beim Anhalten des Programms erreicht wurde, der Timer hält bei der Restzeit an und die zuletzt eingestellte Förderrate wird angezeigt.

DE

5.2.14 Aktivieren des Standby-Modus

Im Standby-Modus ist TX150/TXF200 noch eingeschaltet, die Hauptfunktionen (Heizung, Pumpe, Timer und Programme) sind jedoch ausgeschaltet. Im Standby-Modus ist der Zugriff auf das Menü „Einstellungen“ beschränkt, wodurch Funktionen wie zu konfigurierende Alarmer und Programme aktiv sind, während das Gerät nicht läuft.

Hinweis. Beim Schalten in den Standby-Modus bleibt die Pumpe noch 5 Minuten lang eingeschaltet, damit die interne Kühlung fortgesetzt werden kann.

Wenn ein Timer eingestellt oder ein Programm ausgeführt wurde, bevor der Standby-Modus aktiviert wird, werden sie beendet.



1. Drehen Sie den Regler, bis das Symbol Standby hervorgehoben ist und drücken Sie die S-Taste.

Die Temperatur- und Timer-Werte werden nicht mehr angezeigt.



2. Um den Betrieb wieder fortzusetzen, drehen Sie den Regler, bis das Symbol **Standby** hervorgehoben ist und drücken die **S**-Taste.

Auf dem Display wird wieder der Startbildschirm angezeigt, und TX150/TXF200 setzt den Betrieb bei der zuletzt eingestellten Temperatur und Förderrate fort.

5.2.15 Aufrufen des Menüs „Einstellungen“

Über das Menü „Einstellungen“ können Sie auf die folgenden Einstellungsbildschirme zugreifen:

Auswahl und Definition von Voreinstellungen, Programmauswahl und -definition, Flüssigkeitstyp, Sonde (intern oder extern), Alarmer, Summerlautstärke, Relaiszustand, Sprache und Anzeigerundung.

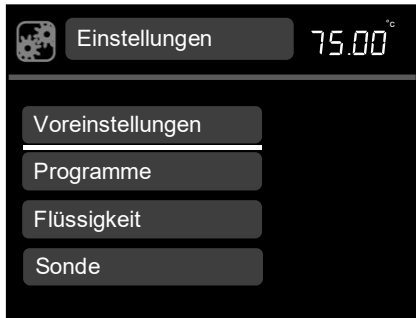
Kapitel 5.3 enthält ausführliche Informationen zum Anzeigen, Bearbeiten und Speichern von Einstellungen.



1. Drehen Sie den Regler, bis das Symbol **Einstellungen** hervorgehoben ist und drücken Sie die **S**-Taste.

Das Menü „Einstellungen“ wird angezeigt; die Voreinstellungen sind dabei oben in der Liste hervorgehoben.

Verknüpfung zum Menü „Einstellungen“. Wenn F auf dem Startbildschirm gedrückt wird, während der Cursor weiß ist, wird das Menü „Einstellungen“ angezeigt.



2. Drehen Sie den Regler, um in der Liste nach oben und unten zu scrollen, bis die gewünschte Einstellung hervorgehoben ist, und drücken Sie dann zur Auswahl die **S**-Taste. Das gewünschte Menü „Einstellungen“ wird angezeigt.

*Wird **F** gedrückt, wird wieder der Startbildschirm angezeigt, ohne dass Änderungen vorgenommen werden.*

5.3 Anzeigen, Bearbeiten und Speichern von Einstellungen

5.3.1 Einstellen von Voreinstellungen



1. Drehen Sie den Regler, bis das Symbol **Einstellungen** hervorgehoben ist und drücken Sie die **S**-Taste.

*Wird **F** gedrückt, wird wieder der Startbildschirm angezeigt, ohne dass Änderungen vorgenommen werden.*



2. Drehen Sie den Regler, um in der Liste nach oben und unten zu scrollen, bis **Voreinstellungen** hervorgehoben ist, und drücken Sie dann zur Auswahl die **S**-Taste.

*Wird **F** gedrückt, wird wieder der Einstellungsbildschirm angezeigt, ohne dass Änderungen vorgenommen werden.*



3. Drehen Sie den Regler, um das Symbol für Voreinstellung 1, 2 oder 3 anzuzeigen, und drücken Sie dann zur Auswahl die **S**-Taste.



4. **Temperatur** ist hervorgehoben, drücken Sie die **S**-Taste. Legen Sie mit dem Regler die gewünschte Temperatur fest. Drücken Sie zum Einstellen die Taste **S**.

*Durch Drücken von **F** wird die ursprüngliche voreingestellte Temperatur wiederhergestellt und die Temperatur hervorgehoben.*



5. Drehen Sie den Regler, um **Förderrate** hervorzuheben, und drücken Sie **S** zur Auswahl. Drehen Sie den Regler, um die Förderrate anzuzeigen (1 bis 5) (nur TXF200). Drücken Sie zum Einstellen die Taste **S**.

*Durch Drücken von **F** wird die ursprüngliche voreingestellte Förderrate wiederhergestellt und die Förderrate hervorgehoben.*

Zum Speichern der Konfiguration von Temperatur und Förderrate drehen Sie den Regler, um **Speichern** hervorzuheben, und drücken **S**.

Auf dem Display wird wieder das Menü „Einstellungen“ angezeigt.

Wiederholen Sie das Verfahren, um die Voreinstellungen 2 und 3 einzustellen.

6. Drücken Sie **F**, um zum Startbildschirm zurückzukehren.

5.3.2 Erstellen eines Programms (nur TXF200)



1. Drehen Sie den Regler, bis das Symbol **Einstellungen** hervorgehoben ist und drücken Sie die **S**-Taste.

*Wird **F** gedrückt, wird wieder der Startbildschirm angezeigt, ohne dass Änderungen vorgenommen werden.*



2. Drehen Sie den Regler, um in der Liste nach oben und unten zu scrollen, bis **Programme** hervorgehoben ist, und drücken Sie dann zur Auswahl die **S**-Taste.

Das Programm-Symbol wird angezeigt.

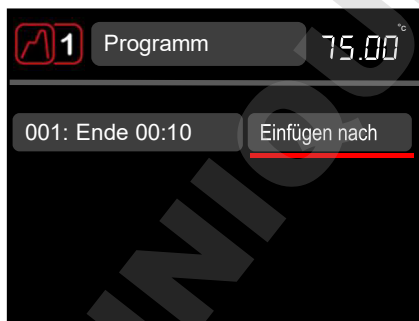
3. Drehen Sie den Regler, um das zu erstellende Programm auszuwählen. Drücken Sie **S** zur Auswahl.

Der Bildschirm „Segment 1“ wird angezeigt.



4. **Zieltemperatur** ist hervorgehoben, drücken Sie **S** zur Auswahl.
5. Legen Sie mit dem Regler die Solltemperatur fest. Drücken Sie zum Einstellen die Taste **S**.

DE



6. Drehen Sie den Regler, um **Förderrate** hervorzuheben, und drücken Sie **S** zur Auswahl.
7. Drehen Sie den Regler bis zur gewünschten Förderrate (1 bis 5). Drücken Sie zum Einstellen die Taste **S**.
8. Drehen Sie den Regler, um **Dauer** hervorzuheben, und drücken Sie **S** zur Auswahl.
9. Drehen Sie den Regler, um die Dauer des ersten Segments (**hh:mm**) festzulegen. Minimale Dauer Segment ist 1 Minute , maximal 99 Stunden 59 Minuten. Drücken Sie zum Einstellen die Taste **S**.
10. Drehen Sie den Regler, um **Aktion** hervorzuheben, und drücken Sie **S** zur Auswahl.
11. Drehen Sie den Regler, um zwischen **Relais Ein/Aus** umzuschalten. Drücken Sie **S** zur Auswahl.
12. Heben Sie **Speichern** hervor, um Segment 1 zu speichern.
13. Zum Einfügen eines neuen Segments, heben Sie Segment 1 hervor und drücken **S**. Drehen Sie den Regler, um **Einfügen nach** anzuzeigen, und drücken Sie **S** zur Auswahl.

Der Programmbildschirm wird angezeigt.

Der Bildschirm „Segment 2“ wird angezeigt. Wiederholen Sie die Schritte 4 bis 12, um ein neues Segment zu erstellen.

Wenn das Gerät für eine gewisse Zeit bei einer bestimmten Temperatur verweilen soll, können Sie die Temperatur auf den gleichen Wert wie das vorherige Segment setzen und die Zeit dann auf die gewünschte Verweildauer einstellen.

14. Drücken Sie nach Abschluss der Programmierung zweimal **F**, um zum Startbildschirm zurückzukehren.

5.3.3 Bearbeiten eines Programms (nur TXF200)



1. Drehen Sie den Regler, bis das Symbol **Einstellungen** hervorgehoben ist und drücken Sie die **S**-Taste.

Wird F gedrückt, wird wieder der Startbildschirm angezeigt, ohne dass Änderungen vorgenommen werden.

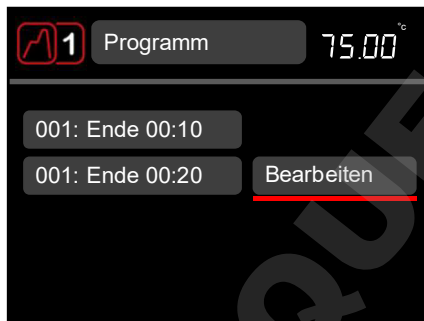


2. Drehen Sie den Regler, um in der Liste nach oben und unten zu scrollen, bis **Programme** hervorgehoben ist, und drücken Sie dann zur Auswahl die **S**-Taste.

Das Programm-Symbol wird angezeigt.

3. Drehen Sie den Regler, um das zu bearbeitende Programm auszuwählen (1 bis 10). Drücken Sie **S** zur Auswahl.

Der Programmbildschirm wird angezeigt.

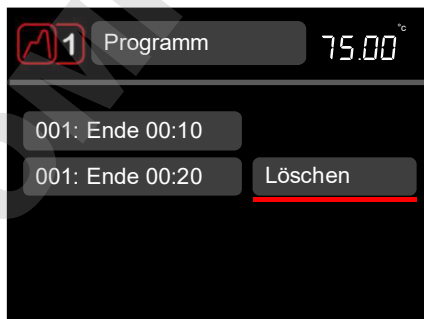


4. Heben Sie das zu bearbeitende Programm hervor und drücken Sie **S**.

5. Drehen Sie den Regler, um **Bearbeiten** anzuzeigen, und drücken Sie **S** zur Auswahl.

Der Segmentbildschirm wird angezeigt, er kann gemäß den Schritten 4 bis 12 im vorherigen Abschnitt (Erstellen eines Programms) bearbeitet werden.

6. Drücken Sie nach Abschluss der Bearbeitung zweimal **F**, um zum Startbildschirm zurückzukehren.



7. Um ein Segment zu löschen, heben Sie das Segment hervor und drücken **S**.

8. Drehen Sie den Regler, um **Löschen** anzuzeigen, und drücken Sie **S** zur Auswahl.

Das Segment wird gelöscht.

9. Drücken Sie zweimal **F**, um zum Startbildschirm zurückzukehren.

DE

5.3.4 Auswahl des Flüssigkeitstyps

Der Flüssigkeitstyp bestimmt die Grenzen des eingestellten Temperaturbereichs.

Durch die Auswahl der nachfolgenden Flüssigkeitstypen ändert sich der einstellbare Temperaturbereich wie folgt:

Flüssigkeit	Eingestellter Temperaturbereich
Wasser	0 °C bis 100 °C
Wasser/Glykol	*-30 °C bis 70 °C
Öl, tiefe Temp.	-50 °C bis 50 °C
Öl, hohe Temp.	†70 °C bis 150 °C (TX150) ‡70 °C bis 200 °C (TXF200)
Überschreiben	§-50 °C bis 150 °C (TX150) §-50 °C bis 200 °C (TXF200)

* Wasser/Glykol (50 % Wasser, 50 % Frostschutzmittel (Ethylenglykol mit Inhibitor))

† Hochtemperaturöl (Silikonflüssigkeit mit den folgenden Eigenschaften: Viskosität 20 cSt, Flammpunkt \geq 230 °C, Brennpunkt \geq 280 °C).

‡ Hochtemperaturöl (Silikonflüssigkeit mit den folgenden Eigenschaften: Viskosität 50 cSt, Flammpunkt \geq 285 °C, Brennpunkt \geq 340 °C).

§ Bei Einstellung von „Überschreiben“ liegt es in der Verantwortung des Benutzers, eine geeignete sichere Flüssigkeit auszuwählen.

Eine ausführliche Beschreibung der empfohlenen Badflüssigkeiten finden Sie in Kapitel 4.6.



1. Drehen Sie den Regler, bis das Symbol **Einstellungen** hervorgehoben ist und drücken Sie die **S**-Taste.



2. Drehen Sie den Regler, um in der Liste nach oben und unten zu scrollen, bis **Flüssigkeit** hervorgehoben ist, und drücken Sie dann zur Auswahl die **S**-Taste.

Die Flüssigkeitsoptionen werden angezeigt.



3. Drehen Sie den Regler, um durch die Flüssigkeitsoptionen zu scrollen, und drücken Sie zum Speichern der Auswahl **S**.

Auf dem Display wird wieder der Einstellungsbildschirm angezeigt.

4. Drücken Sie **F**, um zum Startbildschirm zurückzukehren.

5.3.5 Auswahl des Temperatursondentyps

Die Badtemperatur kann mit einer internen oder externen Temperatursonde kontrolliert werden.



1. Drehen Sie den Regler, bis das Symbol **Einstellungen** hervorgehoben ist und drücken Sie die **S**-Taste.



2. Drehen Sie den Regler, um in der Liste nach oben und unten zu scrollen, bis **Sonde** hervorgehoben ist, und drücken Sie dann zur Auswahl die **S**-Taste.

Die Sondenoptionen werden angezeigt.



3. Drehen Sie den Regler, um durch die (externen oder internen) Sondentypen zu scrollen, und drücken Sie zum Speichern der Auswahl **S**.

Auf dem Display wird wieder der Einstellungsbildschirm angezeigt.

Die Symbol für die externe Sonde erscheint auf dem Startbildschirm.

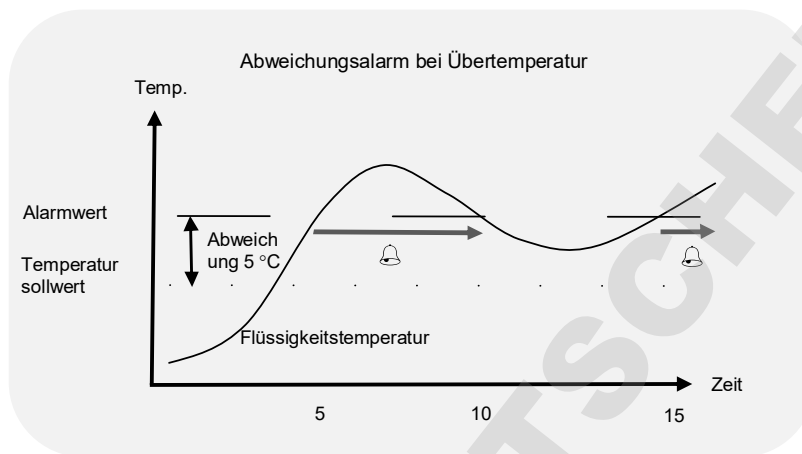
4. Drücken Sie **F**, um zum Startbildschirm zurückzukehren.

DE

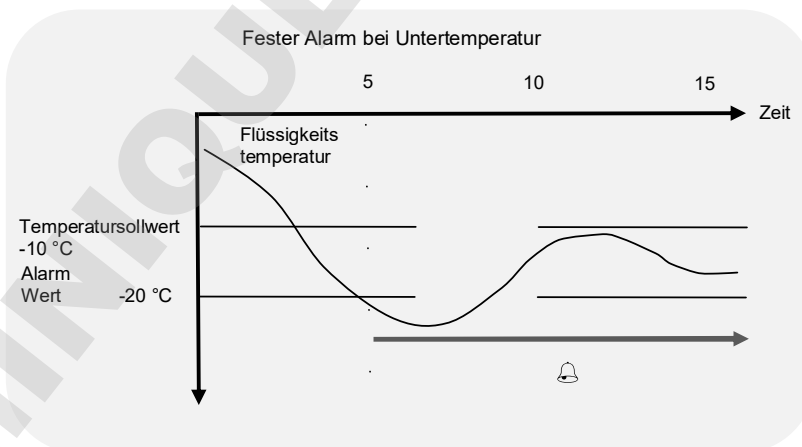
5.3.6 Konfigurieren von Über- und Untertemperaturalarmen

Im Alarmmenü stehen drei Funktionen zur Verfügung.

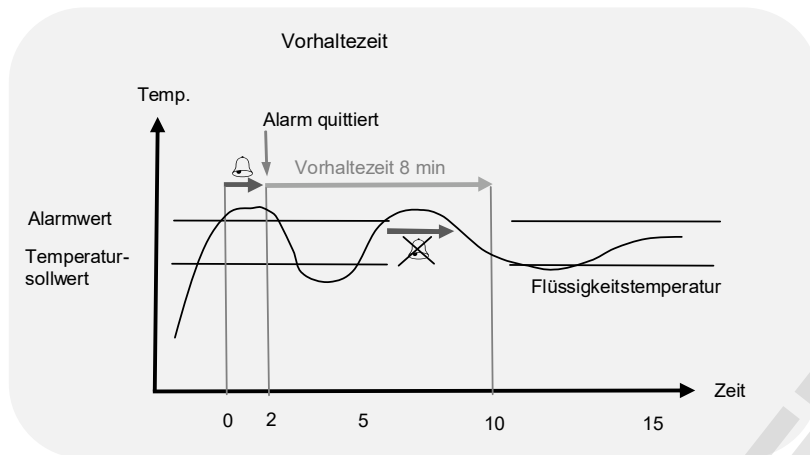
1. Eine Alarmfunktion für Übertemperatur, die einen Alarm auslöst, wenn die Badtemperatur den Alarmwert übersteigt. Der Alarmwert kann als feste Temperatur über der Solltemperatur oder als Versatzwert über der Solltemperatur eingestellt werden. Unten finden Sie ein Beispiel für einen Abweichungsalarm bei Übertemperatur, bei dem der Abweichungswert auf 5 °C eingestellt ist.



2. Eine Alarmfunktion für Untertemperatur, wenn die Badtemperatur den Alarmwert unterschreitet. Der Alarmwert kann als feste Temperatur unter der Solltemperatur oder als Versatzwert unter der Solltemperatur eingestellt werden. Unten finden Sie ein Beispiel für einen festen Alarm bei Untertemperatur, bei dem der feste Temperaturwert auf -20 °C eingestellt ist.



3. Es kann eine Vorhaltezeit eingegeben werden, d. h. eine vom Anwender einstellbare Zeit zwischen 0 und 21 min, für die die Alarme stumm geschaltet bleiben, nachdem eine Taste gedrückt wurde, um den Alarm zu quittieren. Wenn die Badtemperatur wieder einen Wert hat, mit dem der Alarmwert nicht überschritten wird, wird der Alarm abgebrochen. Bleibt die Temperatur jedoch außerhalb des Alarmwerts, tritt die Alarmsituation nach dieser Vorhaltezeit wieder ein.



Jeder Alarm kann so programmiert werden, dass er gehalten wird und dass ein Summer und ein Relais aktiviert werden. Alarme können durch Drücken der Taste **F** oder **S** abgebrochen werden oder wenn die auslösende Alarmursache entfernt wurde.



1. Drehen Sie den Regler, bis das Symbol **Einstellungen** hervorgehoben ist und drücken Sie die **S**-Taste.



2. Drehen Sie den Regler, um in der Liste nach oben und unten zu scrollen, bis **Alarme** hervorgehoben ist, und drücken Sie dann zur Auswahl die **S**-Taste.

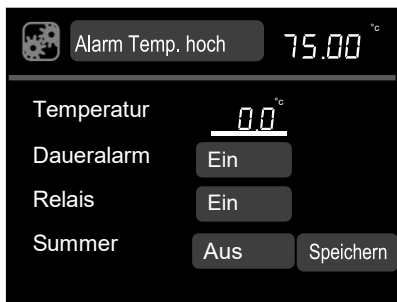


3. **Alarm Temp. hoch** ist hervorgehoben, drücken Sie **S** zur Auswahl.

4. Drehen Sie den Regler, um **Feste Temp.**, **Abweichung** oder **Deaktiviert** auszuwählen. Drücken Sie **S** zur Auswahl.

Der Bildschirm „Alarm Temp. hoch“ wird angezeigt.

DE



5. **Temperatur** ist hervorgehoben, drücken Sie **S** zur Auswahl.
6. Drehen Sie den Regler, um den Temperaturwert festzulegen, und drücken Sie zum Einstellen **S**.
7. Drehen Sie den Regler, um **Daueralarm** hervorzuheben, und drücken Sie **S** zur Auswahl.
8. Durch Drehen des Reglers wird zwischen **Ein/Aus** umgeschaltet; drücken Sie **S** zur Auswahl.

Wenn der Daueralarm eingeschaltet ist, bleibt ein Temperaturalarm auch dann noch aktiv, wenn die Temperatur wieder im normalen Bereich ist, es sei denn, der Alarm wird vom Anwender quittiert.

9. Drehen Sie den Regler, um **Relais** hervorzuheben, und drücken Sie **S** zur Auswahl.
10. Durch Drehen des Reglers wird zwischen **Ein/Aus** umgeschaltet; drücken Sie **S** zur Auswahl.
11. Drehen Sie den Regler, um **Summer** hervorzuheben, und drücken Sie **S** zur Auswahl.
12. Durch Drehen des Reglers wird zwischen **Ein/Aus** umgeschaltet; drücken Sie **S** zur Auswahl.
13. Drehen Sie den Regler auf **Speichern** und drücken Sie **S**. Auf dem Display wird dann wieder der Einstellungsbildschirm angezeigt. Das Verfahren kann wiederholt werden, um einen Abweichungsalarm und den niedrigen Alarm zu konfigurieren.



14. Drehen Sie den Regler, um **Warten** hervorzuheben, und drücken Sie **S** zur Auswahl.
15. Drehen Sie den Regler, um eine Vorhaltezeit (über einen Bereich zwischen 10 Sekunden und 21 Minuten) auszuwählen, und drücken Sie dann zur Auswahl die **S**-Taste.

Drehen Sie den Regler auf **Speichern** und drücken Sie **S**, um alle Einstellungen zu speichern.

Auf dem Display wird wieder das Menü „Einstellungen“ angezeigt.

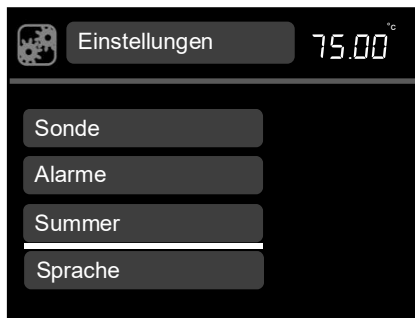
16. Drücken Sie **F**, um zum Startbildschirm zurückzukehren.

5.3.7 Einstellen der Summerlautstärke

Es stehen drei Summerlautstärken zur Verfügung: leise, mittel und laut sowie aus.



1. Drehen Sie den Regler, bis das Symbol **Einstellungen** hervorgehoben ist und drücken Sie die **S**-Taste.



2. Drehen Sie den Regler, um in der Liste nach oben und unten zu scrollen, bis **Summer** hervorgehoben ist, und drücken Sie dann zur Auswahl die **S**-Taste.

Die Lautstärkeoptionen werden angezeigt.



3. Drehen Sie den Regler, um durch die Lautstärken (leise, mittel, hoch und aus) zu scrollen, und drücken Sie zum Speichern der Auswahl **S**.

Auf dem Display wird wieder der Einstellungsbildschirm angezeigt.

4. Drücken Sie **F**, um zum Startbildschirm zurückzukehren.

5.3.8 Auswahl einer Sprache

Es stehen fünf Sprachen zur Verfügung: Englisch, Französisch, Deutsch, Italienisch und Spanisch.



1. Drehen Sie den Regler, bis das Symbol **Einstellungen** hervorgehoben ist und drücken Sie die **S**-Taste.

DE



2. Drehen Sie den Regler, um in der Liste nach oben und unten zu scrollen, bis **Sprache** hervorgehoben ist, und drücken Sie dann zur Auswahl die **S**-Taste.

Die Sprachoptionen werden angezeigt.



3. Drehen Sie den Regler, um durch die Sprachoptionen (**Englisch, Französisch, Deutsch, Italienisch** und **Spanisch**) zu scrollen, und drücken Sie zum Speichern der Auswahl **S**.

Auf dem Display wird wieder der Einstellungsbildschirm angezeigt.

4. Drücken Sie **F**, um zum Startbildschirm zurückzukehren.

5.3.9 Relais-Test und -Konfiguration

TX150 und TXF200 können so konfiguriert werden, dass in der Programmfunktion ein Relais geschaltet wird.

Diese Funktion kann manuell außerhalb der Programmfunktion getestet werden.

Befolgen Sie dazu die Anweisungen unten.

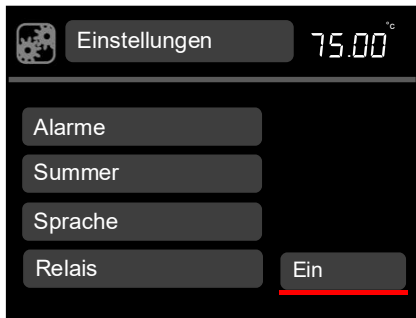


1. Drehen Sie den Regler, bis das Symbol **Einstellungen** hervorgehoben ist und drücken Sie die **S**-Taste.



2. Drehen Sie den Regler, um in der Liste nach oben und unten zu scrollen, bis **Relais** hervorgehoben ist, und drücken Sie dann zur Auswahl die **S**-Taste.

Die Relais-Optionen werden angezeigt.



3. Drehen Sie den Regler, um zwischen Ein/Aus umzuschalten, und drücken Sie **S**, um die Auswahl zu speichern.

Auf dem Display wird wieder der Einstellungsbildschirm angezeigt.

4. Drücken Sie **F**, um zum Startbildschirm zurückzukehren.

5.3.10 Anzeigerundung

TX150 und TXF200 können so konfiguriert werden, dass eine gerundete Temperaturanzeige statt der kleinen Änderungen angezeigt wird, zu denen es kommt, wenn das Heizgerät Impulse ausgibt, um die Temperatur beizubehalten.

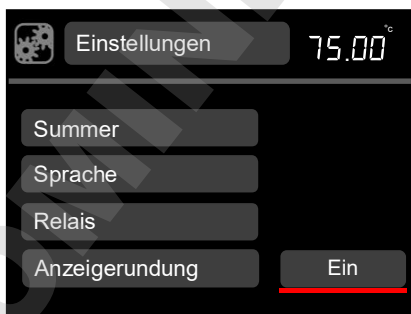


1. Drehen Sie den Regler, bis das Symbol **Einstellungen** hervorgehoben ist und drücken Sie die **S**-Taste.



2. Drehen Sie den Regler, um in der Liste nach oben und unten zu scrollen, bis **Anzeigerundung** hervorgehoben ist, und drücken Sie dann zur Auswahl die **S**-Taste.

Die Optionen zur Anzeigerundung werden angezeigt.



3. Drehen Sie den Regler, um zwischen Ein und Aus umzuschalten, und drücken Sie **S**, um die Auswahl zu speichern.

Auf dem Display wird wieder der Einstellungsbildschirm angezeigt.

4. Drücken Sie **F**, um zum Startbildschirm zurückzukehren.

DE

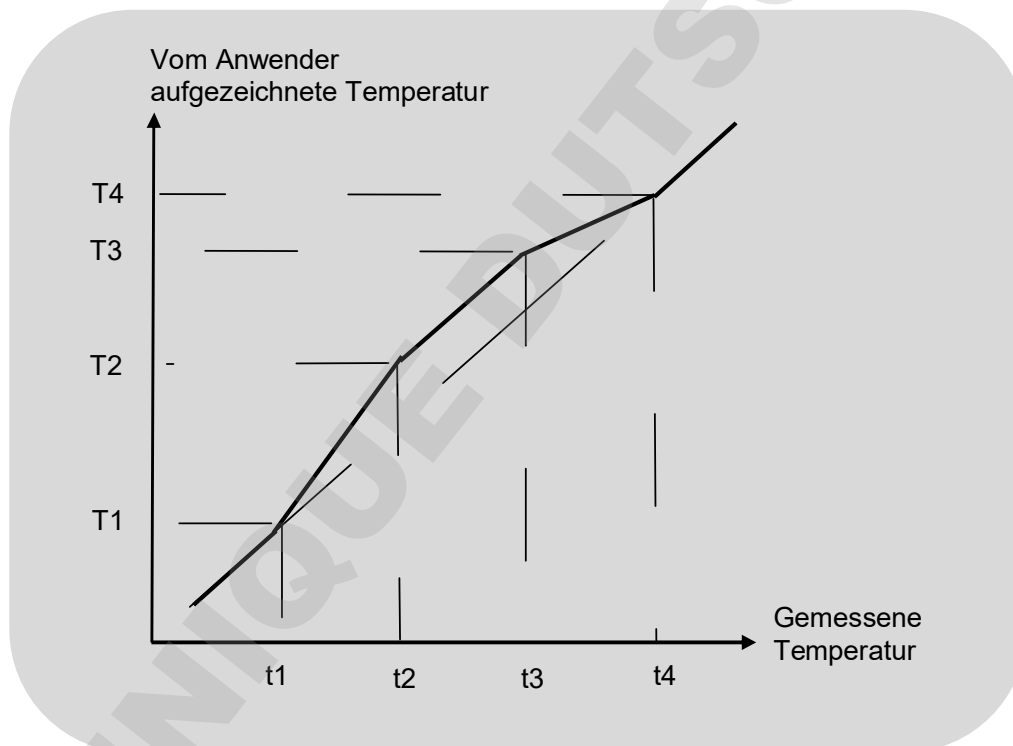
5.4 Abschließen einer Kalibrierung

Bei TX150 & TXF200 können bis zu fünf Temperaturpunkte kalibriert werden. Der Zugriff auf das Kalibrationsmenü erfolgt durch gleichzeitiges Drücken der Tasten **F** und **S** für 3 Sekunden.

Die Kalibriertemperaturen sind durch die Temperaturgrenzwerte der Flüssigkeitstyp-Einstellung eingeschränkt. Die Kalibrierung muss mithilfe eines verfolgbaren Referenzthermometers mit einer Genauigkeit von mindestens 0,1 °C durchgeführt werden. Dieses Thermometer muss sicher in der Mitte des Bads oder Behälters befestigt werden.

Zwei werkseitig festgelegte Kalibrierpunkte (20 °C und 70 °C) sind bereits vorhanden und werden im Menü „Sonde kalibrieren“ angezeigt; bei Bedarf können diese neu kalibriert werden und bis zu drei weitere Kalibrierpunkte hinzugefügt werden. Die Kalibrierpunkte sollten bei kritischen experimentellen Temperaturen liegen, bei denen es auf Genauigkeit ankommt oder bei den Extremen des Arbeitsbereichs verwendeter Temperaturen.

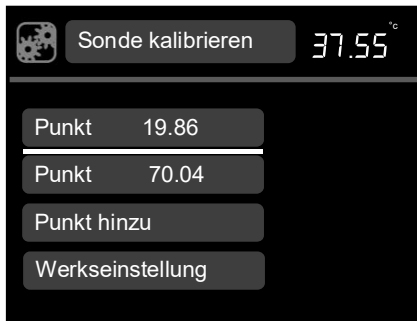
TX150/TXF200 berechnet die Temperatur bei jedem Punkt mithilfe von berechneten Werten, die durch jeden Kalibrierpunkt gehen. Dadurch wird bei allen kritischen Versuchstemperaturen im ganzen Einsatzbereich Präzision sichergestellt. Im Beispiel unten wurden 4 Kalibrierpunkte verwendet.



Kalibrierpunkte müssen mindestens 5 °C auseinander liegen und der Unterschied zwischen dem höchsten und dem niedrigsten Punkt muss mindestens 20 °C betragen. Alle hinzugefügten Punkte, die diesen Kriterien nicht entsprechen, werden vom Gerät nicht akzeptiert.

Nach ihrer Einstellung können Kalibrierpunkte geändert oder gelöscht werden, es müssen jedoch mindestens 2 Punkte beibehalten werden.

Vor der Kalibrierung ist sicherzustellen, dass der zu kalibrierende (interne oder externe) Sondentyp ausgewählt wurde und dass das Bad auf die gewünschte Temperatur eingestellt wurde und mindestens 5 Minuten lang bei der Temperatur stabil war.



1. Drücken Sie gleichzeitig 3 Sekunden lang die Tasten **F** und **S**.
Das Menü „Sonde kalibrieren“ zeigt die werkseitig festgelegten Kalibrierpunkte sowie die aktuelle Temperatur des Bads rechts oben im Bildschirm an.
2. Drehen Sie den Regler, um **Punkt hinzu** hervorzuheben, und drücken Sie **S** zur Auswahl.
Das Kalibrierpunktmenü wird angezeigt. Wenn eine externe Sonde ausgewählt wurde, wird das Symbol für die externe Sonde links oben angezeigt. Andernfalls wird das Einstellungssymbol angezeigt, wenn die interne Sonde kalibriert wird.
3. Drehen Sie den Regler, um **Gemessene Temperatur** hervorzuheben. Drücken Sie **S** zur Auswahl.
4. Drehen Sie den Regler, bis die auf dem kalibrierten Thermometer angegebene Temperatur auf dem Bildschirm angezeigt wird. Drücken Sie **S**, um den Wert zu speichern.
5. Drehen Sie den Regler, um **Speichern** hervorzuheben, und drücken Sie **S** zur Auswahl.
Auf dem Display wird wieder der Bildschirm „Sonde kalibrieren“ angezeigt.
6. Drücken Sie **F**, um zum Startbildschirm zurückzukehren.

*Weitere Kalibrierpunkte können hinzugefügt werden, wenn die Schritte 2 bis 5 wiederholt werden.
Kalibrierpunkte können gelöscht werden, wenn auf dem Bildschirm „Punkt kalibrieren“ **Löschen** gewählt wird.*

5.4.1 Wiederherstellen der werkseitigen Kalibriereinstellungen

Wird der Thermometerwert eingegeben, bevor die Badtemperatur vollkommen stabil ist, kann dies eine fehlerhafte Kalibrierung und falsche Flüssigkeitstemperatur-Messwerte zur Folge haben. Stimmt TX150/TXF200 nach der Kalibrierung nicht mit dem Thermometer überein, war diese möglicherweise nicht erfolgreich und muss das Gerät mithilfe der Funktion zum Wiederherstellen der werkseitigen Einstellungen zurückgesetzt werden.



1. Drücken Sie gleichzeitig 3 Sekunden lang die Tasten **F** und **S**.
2. Drehen Sie den Regler, um **Werkseinstellung** hervorzuheben, und drücken Sie **S** zur Auswahl.
***Ja/Nein** wird angezeigt.*
3. Drehen Sie den Regler, um auf **Ja** umzuschalten, und drücken Sie **S** zur Auswahl.
Die werkseitigen Kalibrierungswerte werden wiederhergestellt.
4. Drücken Sie **F**, um zum Startbildschirm zurückzukehren.

DE

6.0 Technische Daten

6.1 Umgebungsbedingungen für den Betrieb

Umgebungstemperaturbereich	5 bis 40°C
Höhe ü. NN	Bis zu 2.000m
Betriebsumgebung	Nur für den Innengebrauch
Max. relative Luftfeuchtigkeit	80 % rel. Luftfeuchte bei bis zu 31 °C, Abnahme auf 50 % rel. Luftfeuchte bei 40 °C

6.2 Elektrische Daten

Netzversorgung: 220-240 V bei 50/60 Hz oder 110-120 V bei 50/60 Hz

Verschmutzungsgrad: 2

Installationskategorie: II

Netzspannungsschwankungen dürfen ± 10 % der Nenn-Netzspannung nicht überschreiten.

6.3 Produktleistung

	TX150	TX150L	TXF200	TXF200L
Einstellbarer Temperaturbereich	-50 °C bis 150 °C		-50 °C bis 200 °C	
Stabilität (DIN 12876)	$\pm 0,01$ °C			
Gleichförmigkeit (DIN 12876)	$\pm 0,05$ °C			
Max. Druckhöhe der Pumpe	310 mbar		530 mbar	
Max. Pumpenleistung	18 l/min		22 l/min (einstellbar)	
Max. Stromverbrauch	9 A	12,5 A	9A	12,5 A
Heizleistung	1,8 kW	1,4 kW	1,8 kW	1,4 kW

6.4 Angaben zum Badzubehör

	ST5	ST12	ST18	ST26	ST38
Fassungsvermögen des Flüssigkeitsbehälters (in Litern)	5	12	18	26	38
Min./max. Flüssigkeitsstand (mm)	85/140	85/140	75/130	125/180	125/180

	P5	P12	P18
Fassungsvermögen des Flüssigkeitsbehälters (in Litern)	5	12	18
Min./max. Flüssigkeitsstand (mm)*	85/140	85/140	85/140

7.0 Technische Tipps

7.1 Welches Wasser sollten Sie in Ihrem Bad verwenden?

Für die langfristige Zuverlässigkeit von Wasserbädern ist es wichtig, dass sauerstoffangereichertes Wasser verwendet wird, das frei von Ionen und Mineralien ist, die zur Korrosion von Edelstahl führen können. Wir empfehlen die Verwendung von destilliertem Wasser und entionisiertem Wasser von modernen Ionenaustauschsystemen, die zur Regeneration der Ionenaustauschpatronen keine Salzurückspülung verwenden.

Edelstahl ist durch eine Chromoxidschicht vor Korrosion geschützt. Wird die Schicht beschädigt, kann der im Wasser vorhandene Sauerstoff die Oxidschicht neu bilden. Ist das Wasser still oder desoxygeniert und die Oxidschicht beschädigt, können Ionen den Edelstahlbehälter angreifen. Wenn ein Wasserbad eine Zeit lang nicht verwendet wurde oder Wasser kochte, empfehlen wir, frisches destilliertes Wasser oder richtiges entionisiertes Wasser zu verwenden.

Wasser enthält in der Regel Calcium- oder Magnesiumionen. Aus entionisiertem Wasser wurden die meisten Ionen entfernt, wie seine Leitfähigkeit zeigt; je reiner das Wasser, desto geringer die Leitfähigkeit. Es ist wichtig, dass nur entionisiertes Wasser von einem Ionenaustauschsystem mit austauschbaren Patronen verwendet wird. Verwenden Sie zur Regenerierung des Ionenaustauschharzes kein entionisiertes Wasser von Ionenaustauschsystemen mit Salzurückspülung, da dadurch auf Edelstahl sehr korrosiv wirkende Natriumionen zurückbleiben können.

7.2 Wie lässt sich Rost in Wasserbädern vermeiden

Die meisten Behälter von Grant Instruments sowie Teile, die in eine Flüssigkeit eingetaucht werden, bestehen aus Edelstahl 304, einem äußerst vielseitig einsetzbaren Standardedelstahl. Aufgrund der ausgezeichneten Formgebungseigenschaften dominiert dieser Reinheitsgrad in der Herstellung von Labor- und Industrierwasserbädern sowie von Spülbecken und Kochtöpfen. Edelstahl 304 eignet sich bestens für Anwendungen, bei denen Hygiene wichtig ist; er zeichnet sich durch eine gute Wärmebeständigkeit und eine hervorragende Korrosionsbeständigkeit aus.

Jedoch ist Edelstahl trotz seiner Beständigkeit gegenüber allgemeiner Oberflächenkorrosion empfindlich gegenüber bestimmten Korrosionsarten, insbesondere Lochfraß (unter Lochbildung verlaufende Korrosion) und Spannungsrisskorrosion. Er kann auch in bestimmten Umgebungen korrodieren, so z. B. in Umgebungen, die Salz- oder Schwefelsäure enthalten.

Edelstahl wird durch seinen hohen Gehalt an Legierungselementen geschützt, in erster Linie Chrom und Nickel. Chrom ist das wichtigste im Hinblick auf die Korrosionsbeständigkeit, auch wenn Nickel dazu beiträgt, dass das Chrom agieren kann. Das Chrom bildet auf der Edelstahloberfläche eine Oxidschicht, die eine weitere Oxidation hemmt. Diese Schicht haftet äußerst gut am Metallsubstrat; es ist jedoch von entscheidender Bedeutung, dass es intakt bleibt und vor Beschädigung geschützt wird.

Wird die oberflächliche Chromoxidschicht beschädigt, kann der im Wasser vorhandene Sauerstoff die Oxidschicht teilweise neu bilden. Es ist also ratsam sicherzustellen, dass das Wasser stets frisch und gut mit Sauerstoff angereichert ist. Über einen längeren Zeitraum nicht genutzte Bäder sollten geleert und die Feuchtigkeit vom Boden des Behälters abgewischt werden.

In einigen Fällen kann sich auf der Oberfläche eines Edelstahlbehälters eine braune Schicht bilden. In den meisten Fällen handelt es sich dabei nicht um Rost, sondern möglicherweise um eine oberflächliche Ablagerung von Mineralien aus der lokalen Wasserversorgung oder um eisenhaltige Partikel oder Salze, die in den Behälter gefallen sind. Diese Oberflächenablagerungen können gewöhnlich mit einem Haushaltsreiniger (z. B. Metallputzmittel Duraglit oder Silvo) entfernt werden.

DE

7.3 Wie lassen sich Algen und Bakterien vermeiden?

Wasserbäder sind die ideale Umgebung für das Wachstum von Mikroorganismen. Bei fehlender Kontrolle kann das Wachstum dieser Organismen zu einer Reihe ernsthafter Probleme und Gesundheitsrisiken durch pathogene Bakterien führen.

Das Wachstum von Algen auf der Oberfläche von Teilen führt zu Biofouling, das Leistungsminderungen verursachen kann.

Saure Stoffwechselprodukte erzeugende Mikroorganismen können durch Depolarisation von Metalloberflächen Biokorrosion hervorrufen.

Auf dem Markt sind zahlreiche Biozide erhältlich.

8.0 Garantieinformationen

Sofern dieses Produkt unter Laborbedingungen gemäß dieser Bedienungsanleitung verwendet wird, wird darauf eine Garantie von DREI JAHREN auf Material- und Verarbeitungsfehler gewährt.

Eine Garantieverlängerung auf vier und fünf Jahre kann bei unserer Vertriebsabteilung unter labsales@grantinstruments.com abgeschlossen werden.

9.0 Wartung und Service

9.1 Regelmäßige Wartungsmaßnahmen

Die Übertemperaturabschaltung von TX150/TXF200 ist regelmäßig zu überprüfen. Drehen Sie dazu den Überhitzungsregler mit einem Schraubendreher so lange gegen den Uhrzeigersinn, bis der Alarm ausgelöst wird. Es ertönt außerdem ein Summen und auf dem Display wird „Alarm: Temperatur überschritten“ angezeigt. Der Übertemperaturregler sollte dann auf 10 °C über die Flüssigkeitstemperatur gedreht, der TX150/TXF200 ausgeschaltet und wieder eingeschaltet werden, um zu bestätigen, dass die Übertemperaturabschaltung ordnungsgemäß zurückgesetzt werden kann. Falls der Alarm ausgelöst wird, wenn der auf dem Übertemperaturregler angezeigte Wert mehr als 10 °C unter der aktuellen, auf dem Hauptdisplay angezeigten Temperatur liegt, muss das Gerät von einer Fachkraft überprüft werden.

Der Schwimmerschalter für die Flüssigkeitsstandüberwachung ist ebenfalls regelmäßig zu überprüfen. Lassen Sie dazu Flüssigkeit aus dem Behälter ab. Der „Alarm: zu wenig Flüssigkeit“ muss ausgelöst werden, wenn der Heizkopf noch in Flüssigkeit eingetaucht ist. Der Schwimmer sollte ebenfalls regelmäßig überprüft werden, um zu gewährleisten, dass keine Kalkablagerungen, Schmutz oder Fremdkörper den Betrieb bei niedrigem Flüssigkeitsstand behindern.

An die Pumpe angeschlossene Schläuche sind regelmäßig zu überprüfen und gegebenenfalls auszuwechseln, um Schlauchdefekte zu vermeiden.

Weitere Maßnahmen zur Routinewartung sind nicht notwendig.

9.2 Reinigung

Reinigen Sie die Geräteaußenseiten mit einem feuchten Tuch (nur Wasser verwenden). Verwenden Sie keine chemischen Reinigungsmittel. Vor Anwendung anderer Reinigungs- oder Dekontaminationsverfahren sollten Sie mit Grant Instruments oder dem für Sie zuständigen GRANT-Vertreter abklären, dass diese Methoden keine Schäden am

Gerät verursachen. Kesselstein an in Flüssigkeit eingetauchten Teilen kann mit chemischen Kesselsteinentfernungsmitteln für metallische Geräte entfernt werden.



Kesselsteinentfernungsmittel können giftig sein. Beachten Sie stets die Anweisungen des Herstellers.

9.3 Sicherungen

Die Sicherungen von TX150/TXF200 befinden sich im Geräteinnern und sollten nicht ausgewechselt werden müssen.

9.4 Auswechseln des Netzkabels

Ersatznetzkabel für die Verwendung mit TX150 oder TXF200 müssen die gleichen Spezifikationen wie das zusammen mit dem Gerät gelieferte Originalnetzkabel erfüllen, um die Sicherheit des Geräts aufrechtzuerhalten.

Das Kabel muss die folgenden Kennzeichnungen aufweisen: <HAR>, HO5VV-F 3Gx1mm² 90 °C und für eine Stromstärke von 10 A ausgelegt sein. Der Netzstecker und die IEC-Netzbuchse müssen von einer europäischen Zertifizierungsstelle zugelassen sein (z. B. BSI, VDE oder entsprechende).

9.5 Routinemäßige Sicherheitsprüfungen

Wenn Routineprüfungen durchzuführen sind, empfehlen wir, die Unversehrtheit des Schutzleiters sowie die Isolierung bei 500 V Gleichspannung zu prüfen. Routinemäßige Durchschlagsprüfungen werden für elektrische Geräte nicht empfohlen, da wiederholte Hochspannungsprüfungen das Isoliermaterial angreifen.

9.6 Wartung

Schalten Sie das Gerät aus und wenden Sie sich an Grant Instruments oder Ihren lokalen Vertriebshändler, um das Gerät reparieren zu lassen, wenn eine Instandsetzung erforderlich ist.

Bitte beachten Sie, dass allen eingeschickten Geräten eine Rücksendenummer (RMA-Nr.) beiliegen muss, die Sie bei der Grant Kundendienstabteilung erhalten (Details siehe unten).

Service Department
Grant Instruments (Cambridge) Ltd
Shepreth
Cambridgeshire
SG8 6GB
UK

Tel.: +44 (0) 1763 260 811
Fax: +44 (0) 1763 262 410
E-Mail: labservice@grantinstruments.com





DE





10.0 Optionales Zubehör

Eine vollständige Liste der Zubehörteile und optionalen Zusatzkomponenten finden Sie im Grant Scientific Reference Catalogue (ein Exemplar des Katalogs ist auf Anfrage erhältlich) oder auf der Grant-Website unter www.grantinstruments.com.

11.0 Fehlerbehebung

Problem	Mögliche Ursache	Erforderliche Maßnahme
Temperatur steigt übermäßig an	Sollwert ist höher als Flüssigkeitstemp.	Überprüfen, dass der Bad-Sollwert korrekt ist (siehe Kapitel 5.2.9).
Temperatursollwert zu beschränkt	Eingestellter Flüssigkeitstyp erlaubt nicht erforderlichen Sollwert	Zu anderem Flüssigkeitstyp wechseln (siehe Kapitel 5.3.4).
Temperatur steigt nicht erwartungsgemäß	Sollwert liegt niedriger als Flüssigkeitstemp. Sollwert liegt zu nah an der Umgebungstemperatur	Überprüfen, dass der Bad-Sollwert korrekt ist (siehe Kapitel 5.2.9). Temperatursollwert erhöhen (siehe Kapitel 5.2.9) oder Kühlzubehör anschließen (siehe Kapitel 4.9).
Auf dem Display wird „Alarm: Temperatur zu hoch“ angezeigt	Übertemperaturalarm wurde ausgelöst	Überprüfen, dass der Bad-Sollwert korrekt ist (siehe Kapitel 5.2.9). Überprüfen, dass der Übertemperaturalarm korrekt ist (Kapitel 5.3.6). Überprüfen, dass der Flüssigkeitsstand im Bad angemessen ist (siehe Kapitel 6.4 für Mindestfüllstände).
Auf dem Display wird „Alarm: Temperatur zu tief“ angezeigt	Untertemperaturalarm wurde ausgelöst	Überprüfen, dass der Bad-Sollwert korrekt ist (siehe Kapitel 5.2.9). Überprüfen, dass der Untertemperaturalarm korrekt ist (Kapitel 5.3.6). Überprüfen, dass der Flüssigkeitsstand im Bad angemessen ist (siehe Kapitel 6.4 für Mindestfüllstände).
Gerät zeigt unregelmäßige Temperaturen an	Kalibrierungswerte nicht korrekt eingestellt	Werkseitige Kalibriereinstellungen wiederherstellen (siehe Kapitel 5.4.1), anschließend ggf. neu kalibrieren (siehe Kapitel 5.4).
Neuer Kalibrierpunkt wird nicht gespeichert	Falscher Kalibrierpunkt	Der Temperatur-Kalibrierpunkt liegt weniger als 20 °C von einem vorhandenen Kalibrierpunkt entfernt – höhere Temperatur auswählen (siehe Kapitel 5.4). Die gemessene Flüssigkeitstemperatur hat einen Unterschied von mehr als 5 °C zur gewählten Kalibriertemperatur.
Nur das Standby-Symbol kann hervorgehoben werden	Das Gerät befindet sich im Standby-Modus	Das Standby-Symbol hervorheben und auswählen und „S“ wählen, um den Standby-Modus zu beenden.
Symbole können zwar hervorgehoben, aber nicht ausgewählt werden	Programm wird ausgeführt	Warten, bis das Programm beendet ist, oder das Programm abbrechen

Problem	Mögliche Ursache	Erforderliche Maßnahme
Ein Voreinstellungswert wird ausgewählt, doch das Symbol ändert sich in „-“	Voreinstellung nicht eingerichtet Die voreingestellte Solltemperatur ist nicht für die ausgewählte Flüssigkeit gültig	Voreinstellungen im Einstellungsmenü wählen und eine Voreinstellung konfigurieren (siehe Abschnitt 5.3.1). Flüssigkeit im Einstellungsmenü wählen und eine Flüssigkeit auswählen, die für jede Solltemperatur (siehe Abschnitt 5.3.4) geeignet ist.
Eine Programmnummer wird ausgewählt, doch das Symbol ändert sich in „-“.	Programm nicht eingerichtet Ein oder mehrere Programmsegmente enthalten eine Solltemperatur, die nicht für die ausgewählte Flüssigkeit gültig ist	Programme im Menü „Einstellungen“ wählen und wie in Kapitel 5.3.2 gezeigt ein Programm konfigurieren Flüssigkeit im Einstellungsmenü wählen und eine Flüssigkeit auswählen, die für jede Solltemperatur (siehe Abschnitt 5.3.4) geeignet ist.
Rührermotor dreht sich nicht	Das Gerät befindet sich im Standby-Modus Rührwerkspropeller oder Pumpenlaufrad blockiert Fehlerhafter Motor	Das Standby-Symbol auf dem Kontrollbildschirm hervorheben und „S“ drücken, damit sich der Betrieb normalisiert Blockierungsursache beseitigen. Lassen Sie den Motor von einer Fachkraft prüfen oder wenden Sie sich an Grant.
Auf dem Display wird „Alarm: Temperatur überschritten“ angezeigt. 	Übertemperaturabschaltung wurde ausgelöst	Überprüfen, dass die Solltemperatur korrekt ist und die Temperatur für die Übertemperaturabschaltung auf mindestens 5 °C über der Solltemperatur eingestellt ist. Siehe Kapitel 5.5 für Einstellanweisungen. Zeigt das Gerät den Alarm „Cut-Out“ an, obwohl die Temperatur für die Übertemperaturabschaltung korrekt eingestellt ist, dann liegt ein interner Gerätefehler vor, der vor einem erneuten Einsatz des Geräts behoben werden muss.
Auf dem Display wird „Alarm: zu wenig Flüssigkeit“ angezeigt 	Flüssigkeitsstand unter Mindeststand gefallen	Überprüfen, dass der Flüssigkeitsstand im Bad angemessen ist (siehe Kapitel 6.4 für Mindestfüllstände).
Anzeige zeigt „Stellen Sie eine gültige Temperatur ein“ an 	Flüssigkeitsauswahl wurde geändert und vorige Solltemperatur ist nicht für die neue Flüssigkeit gültig	Das Solltemperatur-Symbol (das „-“ anzeigt) markieren und die erforderliche Temperatur einstellen.
Auf dem Display wird „Diff. Innen-/Außentemp. zu groß“ angezeigt 	Es liegt ein Temperaturunterschied von mehr als 10° zwischen der internen und der externen Sonde vor	Vergewissern Sie sich, dass die externe Sonde auf der Rückseite richtig angeschlossen ist. Vergewissern Sie sich, dass die externe Sonde richtig in der Badflüssigkeit positioniert ist und die Zirkulation nicht eingeschränkt ist. Wenn die externe Sonde nicht erforderlich ist, wählen Sie über das Menü „Einstellungen“ die interne Sonde.

Problem	Mögliche Ursache	Erforderliche Maßnahme
Auf dem Display wird „Fehler an interner Temperatursonde“ angezeigt 	Fehlerhafte Temperatursonde	Lassen Sie die Sonde von einer Fachkraft auf einen Leerlauf- oder Kurzschlussfehler hin prüfen oder wenden Sie sich an Grant.
Auf dem Display wird „Fehler an externer Temperatursonde“ angezeigt 	Externe Temperatursonde nicht eingesteckt Fehlerhafte Temperatursonde	Sicherstellen, dass die externe Sonde auf der Rückseite richtig angeschlossen ist. Lassen Sie die Sonde von einer Fachkraft auf einen Leerlauf- oder Kurzschlussfehler hin prüfen oder wenden Sie sich an Grant.
Auf dem Display wird „Programmfehler“ angezeigt 	Ein oder mehrere Programmsegmente enthalten eine ungültige Einstellung oder konnten nicht vom Speicher ausgelesen werden	Das Programm neu laden, wenn es von LabWise stammt oder einzelne Segmente des Geräts bearbeiten (nur TXF200)
Auf dem Display wird „Überhitzung - verringerte Leistung“ angezeigt 	Erhitzen von Wasser beim oder nahe am Siedepunkt ohne Deckel Erhitzen großer Flüssigkeitsmengen mit großen Wärmeverlusten	Deckel verwenden, um Wärmeverluste zu reduzieren und Gerät bei vorliegender Überhitzungswarnung laufen lassen. Wenn der Alarm nicht innerhalb von 1 Stunde erlischt, Grant kontaktieren. Maßnahmen ergreifen, um Wärmeverluste zu reduzieren und Gerät bei vorliegender Überhitzungswarnung laufen lassen. Wenn der Alarm nicht innerhalb von 1 Stunde erlischt, Grant kontaktieren.
Auf dem Display wird „Wartung erforderlich 01“	Relais oder Heizelement mit fehlerhaften Sicherungen	Lassen Sie das Produkt von einer Fachkraft prüfen oder wenden Sie sich an Grant.
Auf dem Display wird „Wartung erforderlich 02“	Rührwerkspropeller oder Pumpenlaufrad blockiert. Fehlerhafte Motor	Blockierungsursache beseitigen. Lassen Sie das Produkt von einer Fachkraft prüfen oder wenden Sie sich an Grant.
Auf dem Display wird „Fehler bei Gegenprobe“ angezeigt	Leiterplatten-Fehler	Lassen Sie das Produkt von einer Fachkraft prüfen oder wenden Sie sich an Grant.

Bei allen anderen Fehlern oder Serviceanfragen, wenden Sie sich bitte an die Kundendienstabteilung von Grant Instruments.

12.0 Kontaktinformationen von Grant Instruments

Grant bemüht sich ständig um die Verbesserung seiner Kundendienstleistungen. Wir sind sehr an Ihrer Meinung über Grants Produkte und Serviceleistungen interessiert. Bitte richten Sie Ihre Kommentare an:

Quality Manager
Grant Instruments (Cambridge) Ltd
Shepreth
Cambridgeshire
SG8 6GB
UK

Tel.: +44 (0) 1763 260 811
Fax: +44 (0) 1763 262 410
E-Mail: feedback@grantinstruments.com

13.0 Konformität

WEEE-Richtlinie

Grant Instruments erfüllt die Vorschriften der Richtlinie über Elektro- und Elektronik-Altgeräte (WEEE) aus dem Jahr 2006. Wir sind Mitglied des B2B Compliance Schemes (Zulassungsnummer WEE/MP3338PT/SCH), das unsere WEEE-Verpflichtungen für uns übernimmt. Grant Instruments hat von der britischen Environmental Agency eine eindeutige Registrierungsnummer erhalten; diese Referenznummer lautet WEE/GA0048TZ.

Wenden Sie sich bitte direkt an unser B2B Compliance Scheme unter 01691 676 124, wenn Sie Informationen zur Abholung von Elektro- und Elektronik-Altgeräten in Großbritannien benötigen.

In anderen Ländern wenden Sie sich bitte an Ihren Geräteanbieter.

Allgemeine WEEE-Informationen erhalten Sie auf der Website: www.b2bcompliance.org.uk

RoHS-Richtlinie

Alle in dieser Bedienungsanleitung behandelten Produkte erfüllen die Anforderungen der RoHS-Richtlinie (2002/95/EG).

Elektrische Sicherheit und elektromagnetische Verträglichkeit

Alle in dieser Bedienungsanleitung behandelten Produkte erfüllen die Anforderungen der Niederspannungsrichtlinie (2006/95/EG) zur elektrischen Sicherheit sowie der EMV-Richtlinie (2004/108/EG) zur elektromagnetischen Verträglichkeit. Siehe Konformitätserklärung auf der hinteren Innenumschlagseite.

DE

Grant Instruments, con sede nelle vicinanze di Cambridge, in Inghilterra, è leader mondiale nella produzione e progettazione di apparecchiature per la preparazione di campioni, l'analisi scientifica e l'acquisizione e l'analisi di dati, destinate al mercato scientifico e al mercato industriale internazionale.

Qualità e conformità agli standard

Il marchio e la reputazione di Grant si fondano su qualità, affidabilità e precisione. Ci assicuriamo che i nostri prodotti rispondano rigorosamente a tutti gli standard di sicurezza internazionali necessari.

Prestiamo particolare attenzione alla sicurezza dei prodotti con scrupolose procedure di collaudo e applichiamo con rigore lo standard di sicurezza del prodotto per le apparecchiature di laboratorio IEC 61010-1. L'azienda gestisce il proprio laboratorio di collaudo per la sicurezza in conformità ai requisiti della norma ISO 17025.

Grant utilizza un sistema di gestione della qualità conforme ai requisiti della norma BS EN ISO 9001:2008.

Oltre ad impegnarsi per la conformità agli standard, Grant mira a migliorare continuamente ogni aspetto delle sue operazioni, concentrandosi particolarmente sulla comprensione di ciò che più conta per i clienti e i fornitori e sulla progettazione di sistemi che soddisfino le loro esigenze.

Qualsiasi commento o riscontro sui nostri prodotti e servizi è il benvenuto. Inviare a:

Quality Manager
Grant Instruments (Cambridge) Ltd
Shepreth
Cambridgeshire
SG8 6GB
UK

Tel.: +44 (0) 1763 260 811
Fax: +44 (0) 1763 262 410
E-mail: feedback@grantinstruments.com

Sommario

Sommario	2
1.0 Uso dei prodotti	4
2.0 Come usare questo manuale	4
3.0 Informazioni sulla sicurezza	5
3.1 Conformità per la sicurezza	5
3.2 Simboli relativi alla sicurezza	5
3.3 Avvertenze per la sicurezza	5
4.0 Istruzioni per l'uso	6
4.1 Istruzioni per la rimozione dell'imballaggio	6
4.2 Installazione del sistema di controllo sui bagni ST	6
4.3 Installazione del sistema di controllo sui bagni P	7
4.4 Installazione del sistema di controllo su bagni specifici	7
4.5 Rimozione del sistema di controllo dal piano a ponte	8
4.6 Liquidi raccomandati	8
4.7 Installazione	9
4.8 Alimentazione elettrica	9
4.9 Uso di un sistema di raffreddamento ausiliario (C1G, C2G, CW5)	9
5.0 Procedure d'uso	10
5.1 Funzionamento	10
5.1.1 Livello del liquido	10
5.1.2 Funzionamento oltre 60°C	10
5.1.3 Uso a basse temperature	10
5.1.4 Uso della pompa	10
5.1.5 Uso dell'uscita del relè di scambio	11
5.1.6 Svuotamento dei bagni ST	12
5.1.7 Configurazione e accensione	12
5.1.8 Perdita di potenza	13
5.2 Uso dei termostati TX150 e TXF200	13
5.2.1 Comandi del pannello anteriore	13
5.2.2 Connessioni sul pannello posteriore	14
5.2.3 Porte di comunicazione	14
5.2.4 Porta del relè di scambio	14
5.2.5 Ingresso per sonda esterna	14
5.2.6 Impostazione del termostato di sovratemperatura	15
5.2.7 Display. Spiegazione delle icone visualizzate nella schermata iniziale.	15
5.2.8 Descrizione dell'interfaccia utente e dei comandi	16
5.2.9 Impostazione della temperatura di controllo	16
5.2.10 Impostazione della velocità della pompa (solo TXF200)	16
5.2.11 Funzionamento del bagno in base all'impostazione predefinita	17
5.2.12 Esecuzione del conteggio decrementale	17
5.2.13 Esecuzione di un programma	18
5.2.14 Attivazione della modalità standby	19
5.2.15 Accesso al menu delle impostazioni	19
5.3 Visualizzazione, modifica e salvataggio delle impostazioni	21
5.3.1 Configurazione di un'impostazione predefinita	21
5.3.2 Creazione di un programma (solo TXF200)	22
5.3.3 Modifica di un programma (solo TXF200)	24
5.3.4 Selezione del tipo di liquido	25
5.3.5 Selezione del tipo di sonda termica	26
5.3.6 Configurazione degli allarmi di alta e bassa temperatura	27
5.3.7 Impostazione del livello di volume del segnale acustico	30
5.3.8 Selezione di una lingua	30
5.3.9 Prova e configurazione del relè	31
5.3.10 Arrotondamento del display	32

5.4	Esecuzione della calibrazione	33
5.4.1	Ripristino delle impostazioni di calibrazione di fabbrica	34
6.0	Specifiche tecniche	35
6.1	Condizioni d'uso	35
6.2	Particolari elettrici	35
6.3	Prestazioni del prodotto	35
6.4	Informazioni sugli accessori del bagno	35
7.0	Suggerimenti tecnici	36
7.1	Quale acqua usare per il bagno?	36
7.2	Come prevenire la ruggine nei bagni ad acqua	36
7.3	Come prevenire le alghe e i batteri	37
8.0	Informazioni sulla garanzia	37
9.0	Manutenzione e assistenza	37
9.1	Manutenzione ordinaria	37
9.2	Pulizia	37
9.3	Fusibili	38
9.4	Sostituzione del cavo di alimentazione	38
9.5	Test di routine per la sicurezza	38
9.6	Assistenza	38
10.0	Accessori opzionali	38
11.0	Individuazione dei guasti	39
12.0	Come contattare Grant Instruments	42
13.0	Conformità	42

1.0 Uso dei prodotti

Nel presente manuale d'uso sono descritti i seguenti prodotti:

- TX150 e TX150L
- TXF200 e TXF200L

I prodotti sopra elencati appartengono ad una serie di termostati di precisione a immersione da utilizzare con bagni o circolatori e destinati all'uso in ambiente di laboratorio interno da parte di personale qualificato.

2.0 Come usare questo manuale

Questo manuale d'uso contiene le istruzioni per disimballare, impostare e utilizzare il termostato a immersione in maniera corretta e sicura. Le avvertenze e le informazioni importanti per la sicurezza elencate nel seguito devono essere lette con attenzione. La Sezione 4 fornisce informazioni sulla rimozione dell'imballaggio e sull'installazione del prodotto in maniera corretta. La Sezione 5 fornisce informazioni sul funzionamento dei modelli TX150 e TXF200. Le sezioni 6 e 7 contengono le specifiche tecniche e alcuni suggerimenti tecnici. Questo prodotto è coperto da una garanzia di TRE ANNI, le cui condizioni sono descritte dettagliatamente nella Sezione 8. La garanzia deve essere registrata compilando il modulo di registrazione online all'indirizzo www.grantinstruments.com.

Per questioni tecniche o di altro genere non trattate da questo manuale per il prodotto, si prega di contattare Grant o il locale rivenditore che risponderà volentieri ad ogni ulteriore quesito.

3.0 Informazioni sulla sicurezza

3.1 Conformità per la sicurezza

I termostati a immersione Grant rispondono ai requisiti dello standard di sicurezza internazionale IEC 61010 Prescrizioni di sicurezza per apparecchi elettrici di misura, di controllo e da laboratorio. Tali prodotti sono conformi anche ai requisiti delle norme nazionali equivalenti, tra cui:

EN 61010-2-010
UL 61010A-2-010
CAN/CSA-C22.2 NO. 61010-2-010-04.

3.2 Simboli relativi alla sicurezza

I simboli elencati qui sotto sono riportati sull'apparecchiatura e nel manuale ad indicare quanto segue:



ATTENZIONE: le superfici e il liquido di scambio termico possono essere molto caldi durante e dopo l'uso



Leggere il manuale prima di usare il bagno.



Importanti avvertenze per la sicurezza.

3.3 Avvertenze per la sicurezza



Leggere tutte le istruzioni riportate in questo manuale. La non conformità alle istruzioni fornite potrebbe compromettere la sicurezza.



Per i modelli TX150/TXF200, usare solo i liquidi indicati nelle istruzioni per l'uso, rispettando gli intervalli di temperatura specificati. Non inalare i vapori esalati perché sono potenzialmente tossici. Per lo smaltimento e la sostituzione dei liquidi, attenersi sempre alle norme di sicurezza previste.



Non utilizzare i modelli TX150/TXF200 con liquidi di scambio termico infiammabili.



Non usare i modelli TX150/TXF200 per riscaldare campioni che potrebbero causare un incendio o incidente di altro genere.



Non usare l'apparecchiatura in aree in cui siano presenti miscele chimiche aggressive o esplosive.



In caso di versamento accidentale di un liquido potenzialmente pericoloso sull'apparecchiatura o al suo interno, scollegare l'apparecchiatura dalla corrente elettrica e farla controllare da personale competente.



È responsabilità dell'operatore effettuare un'appropriata decontaminazione in caso di versamento di materiale pericoloso sull'apparecchiatura.



Se viene visualizzato un messaggio di avvertimento, non toccare il liquido o la base della vasca perché potrebbero essere surriscaldati.



Rabbonciare il liquido con cautela perché il blocco riscaldante quando è surriscaldato può produrre schizzi d'acqua e getti di vapore roventi.



Non toccare le superfici surriscaldate durante il funzionamento ad alte temperature.

4.0 Istruzioni per l'uso

4.1 Istruzioni per la rimozione dell'imballaggio

L'apparecchiatura standard comprende:

- Termostato a immersione (TX150 o TXF200)
- Piastre di uscita pompa
- Cavo della corrente con spina
- Manuale d'uso e Guida introduttiva

Gli accessori dei bagni ST comprendono:

- Bagno in acciaio inox
- Piano a ponte
- Piatto di circolazione (solo bagni ST18, ST26 e ST38)

Gli accessori dei bagni P comprendono:

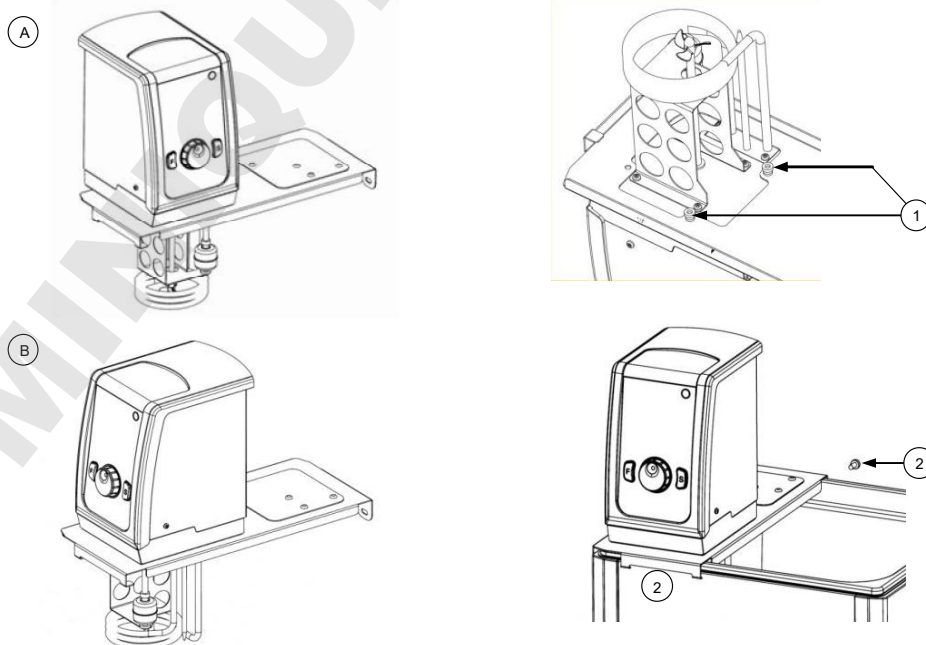
- Bagno in plastica
- Piano a ponte

Rimuovere con cura il materiale dell'imballaggio e conservarlo per spedizioni future o per l'immagazzinamento dell'apparecchiatura.

4.2 Installazione del sistema di controllo sui bagni ST

Per praticità, i modelli TX150/TXF200 possono essere installati sui bagni in acciaio inox ST5, ST12, ST18, ST26 e ST38 in due orientamenti: rivolti verso il bagno ST (A) o rivolti verso l'esterno (B).

1. Inserire il TX150/TXF200 attraverso il foro sul piano a ponte e allineare seguendo le filettature di riferimento. Fissare per mezzo dei dadi di bloccaggio (1). Serrare manualmente, senza utensili.
2. Bloccare il gruppo nelle scanalature del bagno ST e fissare sul retro del bagno per mezzo della vite in dotazione (2).



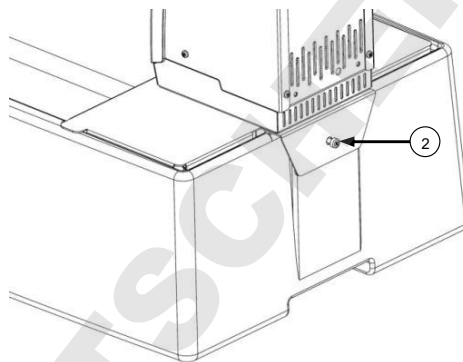
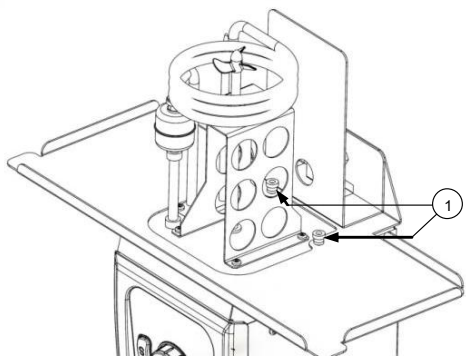
IT

Installare il piatto di circolazione alla base della vasca con l'incavo largo del piatto al di sotto dello strumento (solo ST18, ST26 e ST38).

4.3 Installazione del sistema di controllo sui bagni P

I modelli TX150/TXF200 possono essere installati sui seguenti bagni in plastica: P5, P12 e P18.

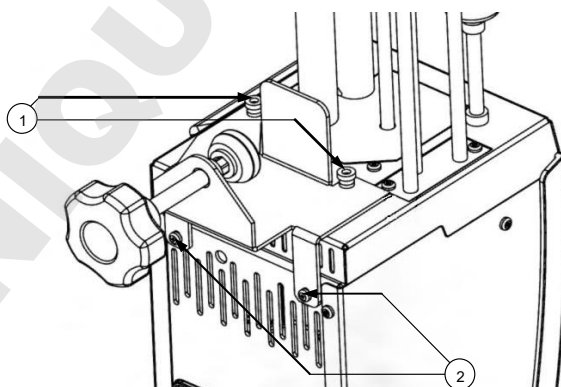
1. Inserire il TX150/TXF200 attraverso il foro sul piano a ponte e allineare seguendo le filettature di riferimento. Fissare per mezzo dei dadi di bloccaggio (1). Serrare manualmente, senza utensili.
2. Applicare il gruppo sul bagno P e fissare sul retro del bagno per mezzo della vite in dotazione (2).



4.4 Installazione del sistema di controllo su bagni specifici

Sui modelli TX150/TXF200 è possibile montare una pinza che consenta il collegamento di un bagno o recipiente non prodotti da Grant, con pareti di spessore fino a 30 mm. Per montare la pinza sui modelli TX150/TXF200:

1. Posizionare la pinza sulle filettature di riferimento alla base dei modelli TX150/TXF200. Fissare per mezzo dei dadi di bloccaggio. Serrare manualmente, senza utensili.
2. Applicare le viti di fissaggio posteriori della pinza per bloccarla sul retro dei modelli TX150/TXF200.



Fare attenzione a non serrare eccessivamente la pinza, onde evitare di danneggiare la pinza stessa o il recipiente.



Il recipiente del liquido su cui è montato lo strumento deve essere stabile e solido e presentare una resistenza meccanica, chimica e termica adeguata.

Non lavare la pinza in lavapiatti, né pulirla con un disincrostante. Non sommergere le filettature di riferimento della pinza. Dopo la pulizia, lasciare sempre asciugare le filettature e la pinza. Le filettature possono essere lubrificate con una piccola quantità di olio per macchine.

4.5 Rimozione del sistema di controllo dal piano a ponte

Prima di rimuovere il modello TX150/TXF200 dal piano a ponte attendere il raffreddamento del liquido. Rimuovere con cautela TX150/TXF200 e piano a ponte dal bagno o recipiente. Prestare attenzione in quanto la pompa contiene residui di liquido che potrebbero fuoriuscire nel maneggiare l'unità. Svitare i dadi di bloccaggio e rimuovere il piano a ponte. Avvitare i dadi di bloccaggio alla filettatura di riferimento per non smarrirli.

4.6 Liquidi raccomandati

La tabella sottostante riporta un elenco dei liquidi raccomandati per i diversi intervalli di temperatura. Verificare sempre che il liquido utilizzato sia sicuro e idoneo alla temperatura di lavoro. In caso di utilizzo di liquidi di scambio termico non raccomandati, è responsabilità dell'utente effettuare una valutazione del liquido volta a verificarne la compatibilità con i modelli TX150/TXF200 e il recipiente.



Per ottenere la massima protezione, l'interruttore di sovratemperatura deve essere impostato in modo adeguato al liquido di scambio termico selezionato (vedere la tabella).



Inoltre è importante regolare l'interruttore di sovratemperatura su un valore non superiore a 25°C sotto il punto di combustione del liquido. In caso di dubbi, rivolgersi all'ufficio di assistenza tecnica di Grant.



Utilizzare estrazione dei fumi durante l'utilizzo fluidi siliconici a temperature elevate

Intervallo di temperatura	Liquido raccomandato	Impostazione dell'interruttore di sovratemperatura	Commenti
da -50°C a 50°C	Olio di silicone, bassa viscosità	60°C	Silicone M3 Bayer è un liquido idoneo
da -30°C a 70°C	50% acqua, 50% antigelo (etilen glicole inibito)	80°C	AVVERTENZA: L'etilen glicole è tossico. Seguire le istruzioni del fabbricante. Per uno smaltimento appropriato, consultare le normative locali.
da 0°C a 30°C	80% acqua, 20% antigelo (etilen glicole inibito)	40°C	Utilizzare un coperchio per ridurre la diluizione della miscela dovuta alla condensazione del vapore acqueo proveniente dall'aria e mantenere l'efficacia di raffreddamento.
da 5°C a 99,9°C	Acqua*	110°C	È possibile utilizzare acqua ma occorre prestare attenzione oltre 60°C poiché il vapore acqueo può essere pericoloso. A temperature superiori a 60°C usare sempre un coperchio o sfere in polipropilene al fine di garantire buone prestazioni e ridurre l'evaporazione. A temperature prossime a 99°C, le prestazioni termiche saranno alterate a causa dell'ebollizione localizzata. *Non utilizzare gli apparecchi per far bollire acqua.
da 70°C a 150°C	Olio di silicone Viscosità ~20cs Punto di infiammabilità ≥230°C Punto di combustione ≥280°C	160°C	L'olio di silicone Dow Corning DC200/20 è un liquido idoneo. Seguire le istruzioni del fabbricante. Per uno smaltimento appropriato, consultare le normative locali.
da 70°C a 200°C	Olio di silicone Viscosità 50 centistoke Punto di infiammabilità ≥285°C Punto di combustione ≥340°C	210°C	Il prodotto siliconico Baysilone M 50 EL è un liquido idoneo. Seguire le istruzioni del fabbricante. Per uno smaltimento appropriato, consultare le normative locali.

Intervallo di temperatura	Liquido raccomandato	Impostazione dell'interruttore di sovratemperatura	Commenti
da -50°C a 150°C o 200°C	Nessuno	Come richiesto dalla sicurezza	Annullare intervallo - Prima dell'uso, è necessario che l'utente selezioni un liquido sicuro idoneo ed effettui la valutazione dei rischi. Notare che l'uso di questa impostazione può influenzare il controllo dell'unità in quanto le caratteristiche del liquido non sono note.

4.7 Installazione



Posizionare il bagno ad acqua su una superficie piana e non infiammabile. Verificare che la spina elettrica e l'interruttore sul retro dell'unità siano facilmente accessibili.



Se l'apparecchiatura è stata trasportata o immagazzinata in ambienti freddi o umidi, è possibile che si sia formata condensa al suo interno. In tal caso, lasciare l'apparecchiatura per almeno 2 ore a temperatura ambiente prima dell'uso per fare in modo che la condensa evapori.



Non bloccare od ostruire le prese d'aria.

4.8 Alimentazione elettrica



Controllare che la tensione di alimentazione indicata sull'etichetta del numero di serie e il tipo di spina siano corretti per la presa di corrente e che sia predisposto un connettore di messa a terra.



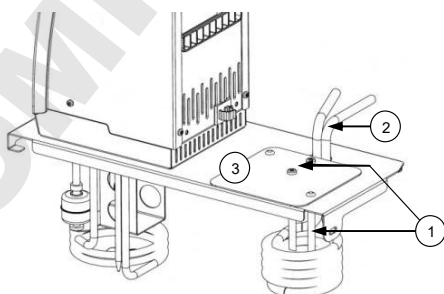
I modelli TX150/TXF200 devono essere collegati alla rete di alimentazione esclusivamente per mezzo del cavo in dotazione o di un cavo con specifiche elettriche identiche (vedere la Sezione 9.4)

4.9 Uso di un sistema di raffreddamento ausiliario (C1G, C2G, CW5)

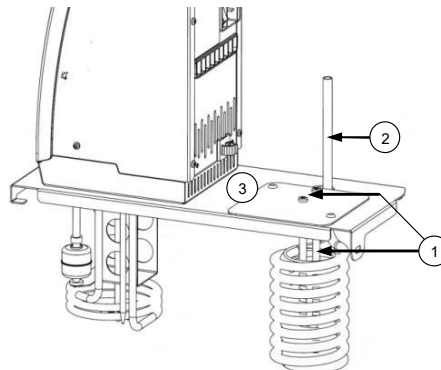
Per l'uso a temperature inferiori alla temperatura ambiente è necessario un sistema di raffreddamento ausiliario. Per l'uso a temperature fino a -15°C è possibile utilizzare refrigeratori a immersione (C1G e C2G). Per l'uso a temperature corrispondenti o prossime alla temperatura ambiente è possibile utilizzare una bobina di scambio termico per acqua (CW5). Per montare le bobine:

1. Collegare al coperchio la barretta di riferimento a u della bobina utilizzando le due viti di fissaggio in dotazione (1).
2. Montare la bobina di raffreddamento attraverso il foro sul piano a monte e allineare i tubi di uscita alla tacca (2).
3. Applicare il coperchio (3) sul piano a ponte e fissare per mezzo delle viti in dotazione. La barretta di riferimento della bobina dovrebbe esercitare una pressione contro l'interno della bobina stessa e trattenerla rigidamente. Prima di mettere in funzione, verificare che la bobina sia trattenuta in maniera sicura.

CW5



C1G & C2G



5.0 Procedure d'uso

5.1 Funzionamento

5.1.1 Livello del liquido

Il livello minimo e massimo del liquido sono definiti nella Sezione 6.4 relativa ai bagni ausiliari Grant. Il livello del liquido deve essere sempre mantenuto tra i due limiti. Questi livelli sono validi sia quando non ci sono recipienti nel bagno, sia quando il bagno è pieno. Qualora si utilizzino liquidi che possono evaporare, è necessario controllare regolarmente il livello ed eventualmente rabboccare. Quando il liquido scende al di sotto del livello minimo necessario, l'interruttore a galleggiante del livello minimo attiva un allarme e l'unità disattiva il riscaldatore e il controllo della temperatura.

5.1.2 Funzionamento oltre 60°C

A temperature superiori a 60°C è necessario usare un coperchio o sfere in polipropilene al fine di mantenere il controllo della temperatura e garantire il raggiungimento della temperatura di riferimento da parte del liquido del bagno. Tale accorgimento consentirà inoltre un risparmio energetico impedendo un'eccessiva evaporazione e riducendo così la frequenza di riempimento del bagno. Come forma di precauzione, i modelli TX150/TXF200 possono visualizzare il messaggio 'Potenza di surriscaldamento ridotta' se l'acqua si trova a una temperatura pari o prossima alla temperatura di ebollizione per periodi di tempo prolungati o qualora vengano riscaldati elevati volumi di liquido con considerevole dissipazione termica senza uso di coperchio o di sfere di polipropilene. In questo caso, la potenza termica è ridotta del 50%. Per ulteriori istruzioni si veda la Sezione 11.

Assicurarsi che le prese d'aria posteriori non si ostruiscano e ridurre al minimo l'aspirazione di vapore o fumi durante l'uso in prossimità di acqua in ebollizione o di altri liquidi in evaporazione.



Prestare attenzione quando si solleva e si toglie il coperchio perché può essersi surriscaldato. Il vapore e l'acqua ad altissima temperatura possono causare scottature.

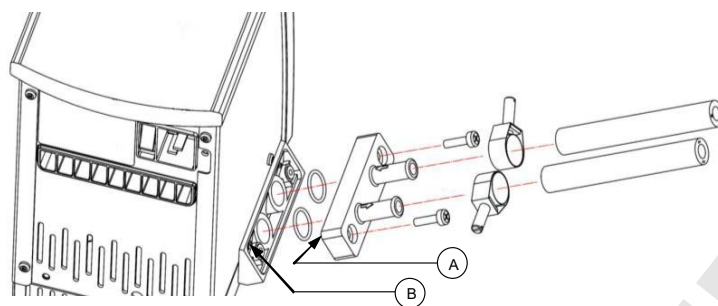
5.1.3 Uso a basse temperature

Per l'uso controllato a temperatura ambiente o inferiore è necessario un sistema di raffreddamento ausiliario. La temperatura operativa minima senza sistema di raffreddamento ausiliario dipende dalle dimensioni del bagno. I bagni di piccole dimensioni, P5 e ST5, hanno una temperatura operativa minima di circa 10°C al di sopra della temperatura ambiente senza coperchio, e di 15°C al di sopra della temperatura ambiente con coperchio. A temperature di 5°C al di sopra della temperatura ambiente è possibile utilizzare bagni di altre dimensioni.

5.1.4 Uso della pompa

Il termostato TX150/TXF200 consente di immettere il liquido in un sistema esterno chiuso (non aperto all'atmosfera) e può essere utilizzato per la circolazione in una vasca esterna aperta solo in presenza di un sistema di ritorno a gravità. I sistemi aperti devono essere sottoposti a un'attenta valutazione volta a garantire la stabilità del livello del liquido durante il funzionamento e ad escludere il rischio che i serbatoi possano restare a secco o tracimare. La pompa è provvista di piastra otturatrice. Montare una piastra di raccordo pompa come illustrato sotto. Nota: le piastre di otturazione/raccordo sono

dotate di foro di riferimento (vedere A, di seguito) che consente di ottenere un corretto allineamento rispetto al corpo pompa. È importante verificare che il foro sia allineato al perno di riferimento corrispondente (vedere B, di seguito) sul corpo pompa. Diversamente, il raccordo ottenuto non sarà a tenuta stagna. Conservare la piastra otturatrice della pompa per rimontarla quando la pompa non servirà più.



Utilizzare sempre raccordi pompa e tubi flessibili idonei alla temperatura operativa e al liquido utilizzato. Verificare che i raccordi dei tubi siano sicuri.

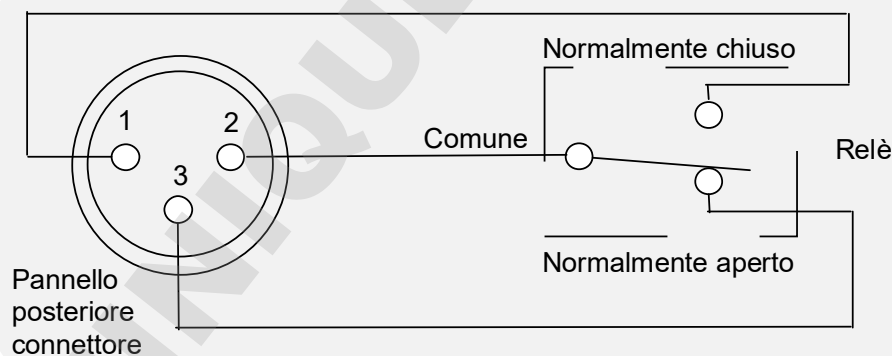


Non scollegare mai tubi o flessibili che potrebbero contenere liquidi a temperature molto elevate o durante il funzionamento del TX150/TXF200.

Il pompaggio del liquido di scambio termico in un sistema esterno può comportare dei rischi al di fuori del controllo di Grant Instruments. È essenziale che l'operatore effettui una valutazione dei rischi dell'intera installazione volta a verificare che i materiali utilizzati presentino le specifiche corrette e che il sistema possa essere utilizzato in tutta sicurezza.

5.1.5 Uso dell'uscita del relè di scambio

Un relè interno fornisce i contatti di scambio utilizzabili per controllare gli apparecchi esterni. Le connessioni dei pin sul connettore circolare tripolare situato nel pannello posteriore sono:



Per il cavo di collegamento utilizzare un connettore XLR corrispondente come il connettore NC3FXX di Neutrik AG

I contatti di scambio sono previsti per 24 V c.a. o c.c. a 2A (max.).



Il relè è previsto per 24 V c.a. o c.c. a 2A; al fine di evitare lesioni personali o danni alle apparecchiature, evitare di collegare a tensioni maggiori o di commutare correnti maggiori.



Una tensione di soli 22 V c.a. può essere rischiosa nei casi in cui vi sia la possibilità di bagnare la pelle. Nella scelta del cavo per il collegamento

dell'apparecchiatura al connettore del relè del TX150/TXF200, verificare che il sistema di isolamento utilizzato sia sufficiente a garantire la protezione dalla tensione in uscita dall'apparecchiatura durante la commutazione da parte del relè.



Utilizzare sempre un cavo di taglia appropriata e con classe d'isolamento corretta per i valori di tensione da commutare. In caso di dubbi, rivolgersi al team di assistenza tecnica di Grant Instruments.

5.1.6 Svuotamento dei bagni ST

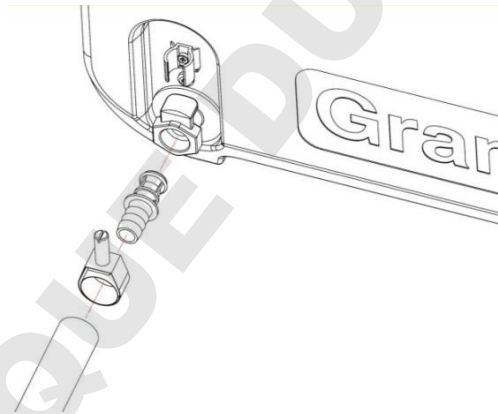
I bagni ST12, ST18, ST26 e ST38 devono essere svuotati fino a un livello sicuro prima di essere spostati. Questi bagni sono provvisti di rubinetto di drenaggio che ne consente un pratico svuotamento.



Prima di svuotare o spostare, consentire alla temperatura del liquido di scendere a un livello sicuro.

ATTENZIONE: se il bagno viene svuotato a temperature superiori a 50°C, il meccanismo di drenaggio subirà dei danni e dovrà essere sostituito. Adottare ogni ragionevole precauzione volta ad evitare fuoriuscite accidentali.

Svuotare il bagno premendo il raccordo nel rubinetto di scarico (come illustrato qui sotto). Si osservi che il liquido del bagno inizia a fuoriuscire non appena si inserisce a fondo il raccordo. All'estremità a punta del raccordo di scarico può essere eventualmente collegato uno spezzone di tubo.



5.1.7 Configurazione e accensione

Collegare saldamente il TX150/TXF200 al bagno o recipiente desiderato. Aggiungere il liquido appropriato fino almeno al livello minimo raccomandato in modo da sollevare completamente l'interruttore a galleggiante del livello.

Collegare il TX150/TXF200 a una fonte di alimentazione con collegamento a terra e valori di tensione e frequenza compresi nell'intervallo specificato sulla targhetta dati.

Accendere il TX150/TXF200 per mezzo dell'apposito interruttore sul retro dell'unità. Il motore si avvierà immediatamente e il cicalino si attiva mentre l'unità entra in funzione. Durante l'avviamento, il display visualizza la versione software prima di aprire la schermata iniziale. Il TX150/TXF200 è ora pronto per l'uso.

Per scollegare l'apparecchiatura dall'alimentazione di rete, rimuovere la spina dalla presa di corrente.

IT

5.1.8 Perdita di potenza

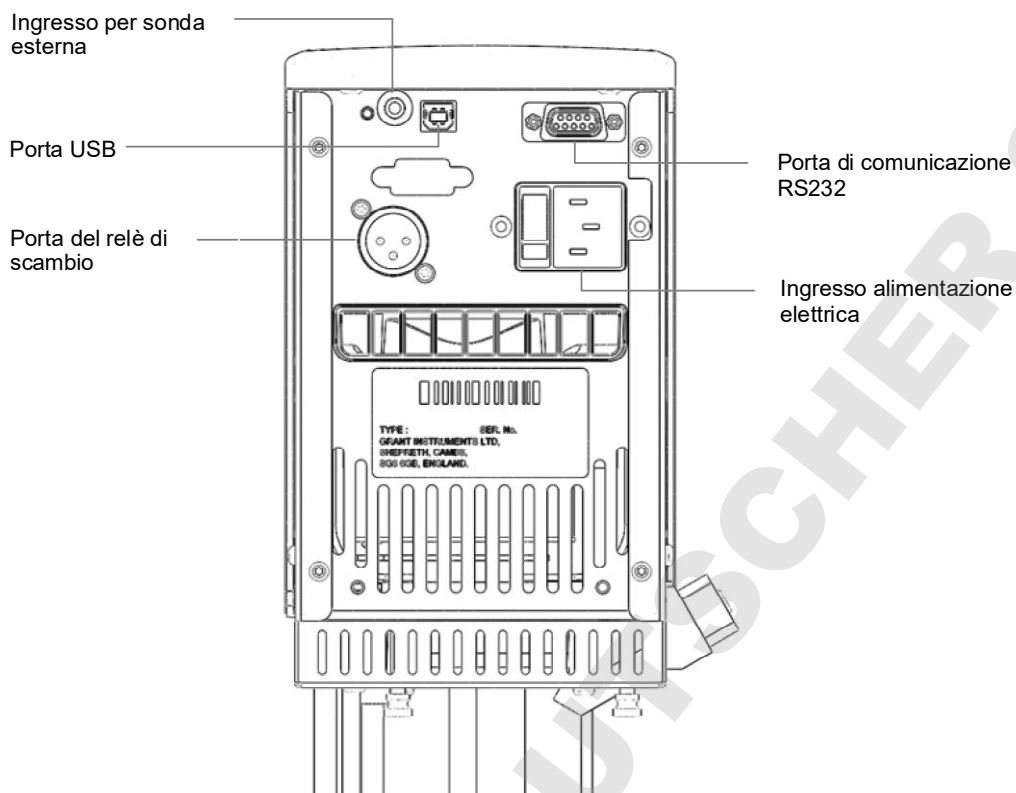
In caso di perdita di potenza dovuta allo spegnimento dell'unità o ad un'interruzione di potenza, una volta ripristinata la potenza, l'unità tornerà alla schermata iniziale (vedere 5.2.7) con le ultime impostazioni valide di temperatura e velocità della pompa. Notare che, se era in corso l'esecuzione di un programma (vedere 5.2.13), sarà ripristinata la temperatura impostata prima dell'inizio del programma. In caso di applicazione di un'impostazione predefinita (vedere 5.2.11), la temperatura impostata e la velocità della pompa saranno corrette, ma il numero preimpostato non sarà visualizzato. Il timer decrementale (vedere 5.2.12) sarà arrestato.

5.2 Uso dei termostati TX150 e TXF200

5.2.1 Comandi del pannello anteriore



5.2.2 Connessioni sul pannello posteriore



5.2.3 Porte di comunicazione

I modelli TX150 e TXF200 sono dotati di una porta RS232 e di una porta dati USB per la comunicazione con un PC su cui sia in esecuzione il software Grant Labwise™. Labwise™ consente di eseguire in remoto le operazioni di configurazione, controllo, monitoraggio dei programmi nonché la registrazione dei dati sulla temperatura del programma.

Usare solo cavi RS232 di Grant Instruments.

Il cavo USB è Tipo A a Tipo B

5.2.4 Porta del relè di scambio

Un relè interno fornisce i contatti di scambio utilizzabili per controllare gli apparecchi esterni. Per ulteriori dettagli sui contatti del relè e il tipo di connettore, vedere la Sezione 5.1.5.

5.2.5 Ingresso per sonda esterna

Per il collegamento di una sonda di temperatura esterna PT1000 disponibile presso Grant Instruments

IT

5.2.6 Impostazione del termostato di sovratemperatura

Sull'angolo superiore destro dell'unità è ubicata la manopola dell'interruttore di sovratemperatura. La sonda di sovratemperatura monitorizza indipendentemente la temperatura del bagno e spegne il riscaldatore qualora venga superata la soglia di interruzione.

Impostazione approssimativa del termostato di sovratemperatura

Ruotare la manopola dell'interruttore della temperatura con la scala contrassegnata fino all'impostazione desiderata. Tale temperatura deve essere superiore rispetto alla temperatura impostata, in modo da evitare l'attivazione dell'interruttore prima del raggiungimento della temperatura impostata stessa.

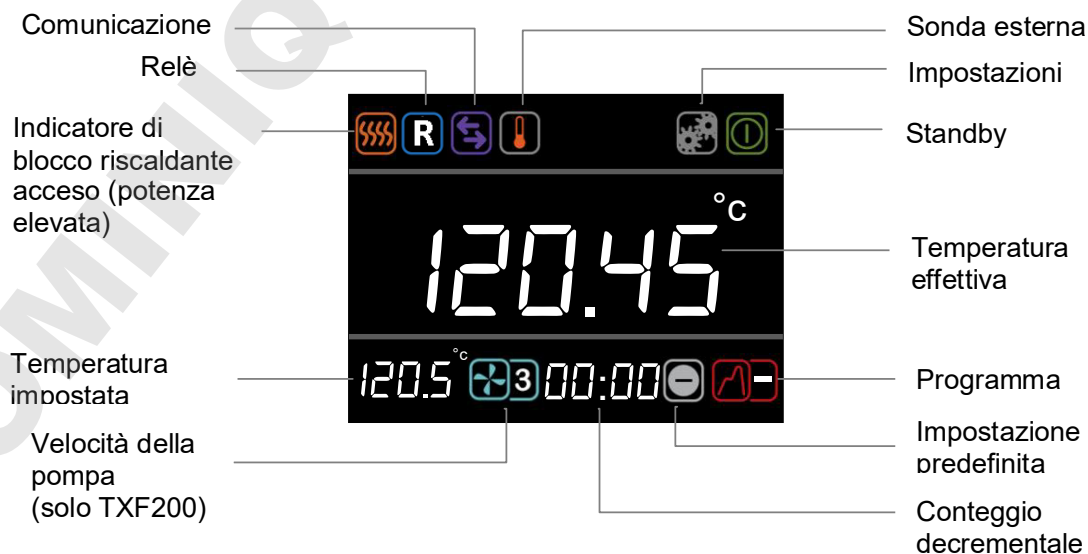
Se l'allarme viene attivato, è possibile disattivarlo premendo una volta il pulsante **F** o **S**. Per continuare a usare il TX150/TXF200, lasciare raffreddare il liquido del bagno di almeno 5°C, naturalmente o sostituendo il liquido, quindi spegnere l'unità, attendere 10 secondi e poi riaccenderla per far scomparire l'allarme. Per evitare attivazioni indesiderate, il valore di intervento deve essere impostato su almeno 5°C al di sopra della temperatura di controllo desiderata.

Impostazione alternativa del termostato di sovratemperatura

Ruotare la manopola dell'interruttore della temperatura fino al massimo (o almeno fino a un valore superiore al livello richiesto) e configurare la temperatura impostata sul livello di interruzione desiderato. Attendere che il bagno raggiunga la temperatura impostata e si stabilizzi per almeno 5 minuti. Ruotare lentamente la manopola di interruzione in senso antiorario fino a visualizzare un guasto di sovratemperatura accompagnato da un allarme acustico intermittente. In questo modo si ottiene un valore di intervento per sovratemperatura corrispondente alla temperatura impostata. L'allarme acustico può essere disattivato premendo una volta il pulsante **F** o **S**.

Per continuare a usare il TX150/TXF200, lasciare raffreddare il liquido del bagno di almeno 5°C, naturalmente o sostituendo il liquido, quindi spegnere l'unità, attendere 10 secondi e poi riaccenderla per far scomparire l'allarme. Per evitare attivazioni indesiderate, il valore di intervento deve essere impostato su almeno 5°C al di sopra della temperatura di controllo desiderata.

5.2.7 Display. Spiegazione delle icone visualizzate nella schermata iniziale.



5.2.8 Descrizione dell'interfaccia utente e dei comandi

I termostati TX150/TXF200 sono dotati di schermo grafico full colour, manopola principale e due pulsanti **F** e **S**. Tutte le funzioni (impostazione della temperatura, velocità della pompa, conteggio decrementale, impostazioni predefinite, impostazioni dei programmi e modalità standby) possono essere configurate dalla schermata iniziale. Per navigare nella schermata iniziale, ruotare la manopola principale in modo da evidenziare le icone delle funzioni per mezzo del cursore bianco. Se si preme il pulsante **S** mentre l'icona è evidenziata, il cursore diventa rosso, l'icona si attiva ed è possibile apportare modifiche oppure, nel caso dell'icona delle impostazioni, vengono visualizzati altri menu.

La funzione principale del pulsante **F** è l'uscita dalle funzioni e dai menu. Se si preme il pulsante **F** nella schermata iniziale mentre il cursore è bianco, viene visualizzato il menu delle impostazioni

5.2.9 Impostazione della temperatura di controllo



1. Ruotare la manopola fino ad evidenziare l'icona dell'**impostazione della temperatura** e premere il pulsante **S**.

2. Ruotare la manopola per impostare la temperatura desiderata.

*Se non viene premuto alcun tasto per 10 secondi o se viene premuto **F**, l'icona della temperatura impostata si disattiva e viene mantenuto il valore iniziale.*

3. Premere **S** per salvare il valore desiderato.

Se la temperatura selezionata è maggiore della temperatura corrente dei liquidi, il blocco riscaldante si accende e viene visualizzata l'icona corrispondente.

L'intervallo di impostazione della temperatura sarà limitato all'intervallo operativo del liquido selezionato.

Per le temperature consentite per ogni liquido, fare riferimento alla sezione 4.6.

5.2.10 Impostazione della velocità della pompa (solo TXF200)



1. Ruotare la manopola fino ad evidenziare l'icona della **velocità della pompa** e premere il pulsante **S**.

2. Ruotare la manopola per impostare la velocità desiderata su un valore compreso tra 1 e 5 (1= velocità minima, 5 = velocità massima).

*Se non viene premuto alcun tasto per 10 secondi o se viene premuto **F**, l'icona della velocità della pompa si disattiva e viene mantenuto il valore iniziale.*

3. Premere **S** per salvare la velocità della pompa.

La pompa funzionerà alla nuova velocità salvata. Per una impostazione della temperatura superiori a 150 ° C, la pompa funziona automaticamente ad una velocità minima di 3.

5.2.11 Funzionamento del bagno in base all'impostazione predefinita

Ogni termostato TX150/TXF200 prevede tre impostazioni predefinite che possono essere configurate in base a temperature diverse; il TXF200 consente inoltre di configurare la velocità della pompa per azionare il bagno alle temperature e alle velocità della pompa utilizzate con maggior frequenza. Per informazioni sulla configurazione delle impostazioni predefinite, vedere la Sezione 5.3.1.



1. Ruotare la manopola fino ad evidenziare l'icona delle **impostazioni predefinite** e premere il pulsante **S**.
2. Ruotare la manopola per selezionare l'impostazione predefinita 1, 2 o 3, quindi premere **S** per applicare l'impostazione prescelta.

L'impostazione predefinita viene applicata automaticamente appena premuto il pulsante S.

*Se non viene premuto alcun tasto per 10 secondi o se viene premuto **F**, l'icona delle impostazioni predefinite si disattiva e viene mantenuto il valore iniziale.*

Se la temperatura impostata dell'impostazione predefinita non è consentita per il liquido selezionato (ad es. un'impostazione predefinita di 150°C quando si utilizza acqua) l'icona predefinita tornerà a "–" e l'impostazione predefinita non sarà utilizzata.

Per le temperature consentite per ogni liquido, fare riferimento alla sezione 4.6.

5.2.12 Esecuzione del conteggio decrementale

Nei modelli TX150/TXF200, il timer decrementale può essere impostato su un valore compreso tra 1 minuto e 99 ore. Il timer decrementale può essere configurato in modo da emettere un segnale acustico al termine del conteggio. Per istruzioni sulla configurazione delle azioni a fine temporizzazione, vedere la Sezione 5.3.2.



1. Ruotare la manopola fino ad evidenziare l'icona del **timer decrementale** e premere il pulsante **S**.

Il timer decrementale visualizza l'ora impostata per l'ultimo conteggio eseguito.

*Se non viene premuto alcun tasto per 10 secondi o se viene premuto **F**, l'impostazione del timer decrementale si disattiva e viene mantenuto il valore iniziale.*

2. Ruotare la manopola per impostare l'ora desiderata per il conteggio decrementale e premere **S** per salvare.

*Il timer attiva il conteggio decrementale a partire dall'ora impostata. Al termine del conteggio decrementale viene emesso un segnale acustico. Quest'ultimo può essere tacitato premendo il pulsante **F** o **S**.*

Per annullare un conteggio decrementale attivo:

1. Ruotare la manopola fino ad evidenziare l'icona del **timer decrementale** e premere il pulsante **S**.
2. Premere il pulsante **F** per annullare il conteggio decrementale.

Il conteggio decrementale si interrompe.

5.2.13 Esecuzione di un programma

I termostati TX150/TXF200 offrono la possibilità di eseguire profili di temperatura automatici chiamati programmi. Il TX150 è in grado di memorizzare 1 programma contenente 30 segmenti singoli di tempo/temperatura. Il TX150 può essere configurato e modificato solo per mezzo del software Grant Labwise™. Il TXF200 è in grado di memorizzare 10 programmi, ciascuno contenente 100 segmenti singoli di tempo/temperatura. I programmi del TXF200 possono essere configurati direttamente dall'unità o per mezzo del software Grant Labwise™. Per informazioni sulla configurazione di un programma attraverso l'unità (solo TXF200) vedere la Sezione 5.3. Durante l'esecuzione di un programma, l'accesso è limitato alla modalità standby e alle funzioni del programma.



1. Ruotare la manopola fino ad evidenziare l'icona del **programma** e premere il pulsante **S**.

*Se non viene premuto alcun tasto per 10 secondi o se viene premuto **F**, l'icona del programma si disattiva e viene mantenuto il valore iniziale.*

2. Ruotare la manopola fino a visualizzare il programma desiderato (TXF200 = da 1 a 10). Per impostazione predefinita, il TX150/TXF200 visualizza “-” ad indicare che non sono stati selezionati programmi. Premere **S** per selezionare il programma.

Il programma selezionato viene avviato. Il display visualizza la temperatura di riferimento del primo segmento e il timer decrementale indica la durata residua del programma. Il TXF200 visualizza anche la velocità della pompa impostata per il primo segmento. Durante l'esecuzione di un programma è possibile selezionare esclusivamente l'icona Standby.

*Al termine di un programma viene emesso un segnale acustico che può essere cancellato premendo **F** o **S**.*

Se il programma non è valido, ad es. non vi sono segmenti configurati, o nessun segmento del programma contiene una temperatura desiderata che non è valida per il liquido selezionato, ad es. cercando di aumentare fino a 150°C utilizzando acqua, il programma non sarà eseguito e l'icona del programma tornerà a “-”. Modificare il programma o selezionare un liquido idoneo.

Per le temperature consentite per ogni liquido, fare riferimento alla sezione 4.6.

Per arrestare un programma:

1. Ruotare la manopola fino ad evidenziare l'icona del **programma** e premere il pulsante **S**.

*Se non viene premuto alcun tasto per 10 secondi o se viene premuto **F**, l'icona del programma si disattiva, viene mantenuto il valore iniziale e il programma resta in esecuzione.*

2. Ruotare la manopola fino a visualizzare “-”, quindi premere **S** per selezionare.

Il programma si interrompe. Il display continua a visualizzare la temperatura impostata raggiunta al momento dell'arresto del programma; il timer decrementale si ferma e visualizza il tempo rimanente e il display visualizza l'ultima velocità della pompa impostata.

5.2.14 Attivazione della modalità standby

In modalità standby il TX150/TXF200 resta acceso, tuttavia le funzioni principali (riscaldamento, pompa, conteggio decrementale e programmi) sono disattivate. In modalità standby l'accesso è limitato al menu delle impostazioni, che attiva funzioni quali gli allarmi e i programmi da configurare mentre l'unità non è operativa.

Nota: quando viene attivata la modalità standby, la pompa resta accesa per 5 minuti per consentire il proseguimento del raffreddamento interno.

Se prima dell'attivazione della modalità standby era stato impostato un timer decrementale o era in esecuzione un programma, il sistema provvederà al loro arresto.



1. Ruotare la manopola fino ad evidenziare l'icona **standby** e premere il pulsante **S**.

*I valori di **temperatura** e **timer decrementale** non sono più visualizzati.*



2. Per riprendere il normale funzionamento, ruotare la manopola fino ad evidenziare l'icona **standby** e premere il pulsante **S**.

Viene nuovamente visualizzata la schermata iniziale e il TX150/TXF200 riprende il normale funzionamento all'ultima temperatura e velocità della pompa impostate.

5.2.15 Accesso al menu delle impostazioni

Il menu delle impostazioni offre l'accesso alle seguenti schermate di impostazioni: selezione e definizione delle impostazioni predefinite, selezione e definizione dei programmi, tipo di liquido, sonda (interna o esterna), allarmi, livello del segnale acustico, stato del relè, lingua e arrotondamento del display.

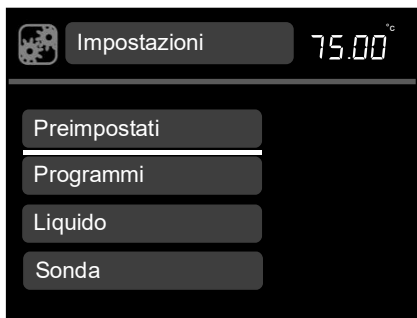
La Sezione 5.3 contiene informazioni dettagliate sulla visualizzazione, la modifica e il salvataggio delle impostazioni.



1. Ruotare la manopola fino ad evidenziare l'icona delle **impostazioni** e premere il pulsante **S**.

Viene visualizzato il menu delle impostazioni, con le impostazioni predefinite evidenziate all'inizio dell'elenco.

Scorciatoia per il menu delle impostazioni. Se si preme il pulsante F nella schermata iniziale mentre il cursore è bianco, viene visualizzato automaticamente il menu delle impostazioni



2. Ruotare la manopola per scorrere l'elenco verso l'alto o verso il basso, fino ad evidenziare l'impostazione desiderata, quindi premere il pulsante **S** per selezionare. Viene visualizzato il menu di impostazioni desiderato.

*Il pulsante **F** riporta alla schermata iniziale senza apportare modifiche.*

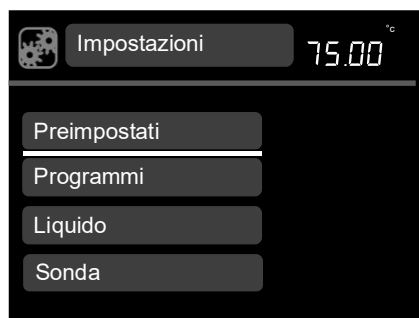
5.3 Visualizzazione, modifica e salvataggio delle impostazioni

5.3.1 Configurazione di un'impostazione predefinita



1. Ruotare la manopola fino ad evidenziare l'icona delle **impostazioni** e premere il pulsante **S**.

*Il pulsante **F** riporta alla schermata iniziale senza apportare modifiche.*



2. Ruotare la manopola per scorrere l'elenco verso l'alto o verso il basso, fino ad evidenziare **Impostazione predefinita**, quindi premere il pulsante **S** per selezionare.

*Il pulsante **F** riporta alla schermata delle impostazioni senza apportare modifiche.*



3. Ruotare la manopola per selezionare l'icona dell'impostazione predefinita 1, 2 o 3, quindi premere **S** per selezionare.



4. Viene evidenziato **Temperatura**. Premere il pulsante **S**. Ruotare la manopola per definire la temperatura. Premere **S** per confermare.

*Il pulsante **F** ripristina la temperatura predefinita iniziale con la temperatura evidenziata.*



5. Ruotare la manopola per evidenziare **Velocità della pompa**. Premere **S** per selezionare. Ruotare la manopola per visualizzare la velocità della pompa da 1 a 5 (solo TXF200). Premere **S** per confermare.

*Il pulsante **F** ripristina la velocità predefinita iniziale con la velocità evidenziata.*

Per salvare la configurazione della temperatura e della velocità della pompa, ruotare la manopola fino ad evidenziare **Salva** e premere **S**.

Viene visualizzata nuovamente la schermata del menu delle impostazioni.

Ripetere la procedura per configurare le impostazioni predefinite 2 e 3.

6. Premere **F** per ritornare alla schermata iniziale.

5.3.2 Creazione di un programma (solo TXF200)



1. Ruotare la manopola fino ad evidenziare l'icona delle **impostazioni** e premere il pulsante **S**.

*Il pulsante **F** riporta alla schermata iniziale senza apportare modifiche.*



2. Ruotare la manopola per scorrere l'elenco verso l'alto o verso il basso, fino ad evidenziare **Programmi**, quindi premere il pulsante **S** per selezionare.

Viene visualizzata l'icona dei programmi.

3. Ruotare la manopola per selezionare il programma da creare. Premere **S** per selezionare.

Viene visualizzata la schermata Segmento 1.



4. Viene evidenziato **Temperatura di riferimento**. Premere **S** per selezionare.

5. Ruotare la manopola per definire la temperatura di riferimento. Premere **S** per confermare.

IT



6. Ruotare la manopola fino ad evidenziare **Velocità della pompa**. Premere **S** per selezionare.
7. Ruotare la manopola fino alla velocità della pompa desiderata (da 1 a 5). Premere **S** per confermare.



8. Ruotare la manopola fino ad evidenziare **Durata**. Premere **S** per selezionare.
9. Ruotare la manopola per definire la durata del primo segmento (**hh:mm**). Durata del segmento minima è di 1 min , massimo 99 ore 59 min. Premere **S** per confermare.



10. Ruotare la manopola fino ad evidenziare l'**Azione**, premere **S** per selezionare.
11. Ruotare la manopola per **Relè Attivare/Disattivare**. Premere **S** per selezionare.
12. Evidenziare **Salva** per salvare il segmento 1.

Viene visualizzata la schermata dei programmi.



13. Per inserire un nuovo segmento, evidenziare il segmento 1, premere **S**. Ruotare la manopola fino a visualizzare **Inserisci dopo**, quindi premere **S** per selezionare.

Viene visualizzata la schermata Segmento 2. Per creare un nuovo segmento ripetere i passaggi da 4 a 12.

Per mantenere una data temperatura per un certo tempo, regolare la temperatura sullo stesso valore del segmento precedente, quindi impostare il tempo di mantenimento della temperatura al livello desiderato.

14. Una volta completata la programmazione, premere due volte **F** per tornare alla schermata iniziale.

5.3.3 Modifica di un programma (solo TFX200)



1. Ruotare la manopola fino ad evidenziare l'icona delle **impostazioni** e premere il pulsante **S**.

*Il pulsante **F** riporta alla schermata iniziale senza apportare modifiche.*

2. Ruotare la manopola per scorrere l'elenco verso l'alto o verso il basso, fino ad evidenziare **Programmi**, quindi premere **S** per selezionare.

Viene visualizzata l'icona dei programmi.

3. Ruotare la manopola per selezionare il programma da modificare (da 1 a 10). Premere **S** per selezionare.

Viene visualizzata la schermata dei programmi.

4. Evidenziare il segmento da modificare, quindi premere **S**.

5. Ruotare la manopola per visualizzare **Modifica**. Premere **S** per selezionare.

Viene visualizzata la schermata del segmento che può essere modificato eseguendo i passaggi 4-12 descritti nella precedente sezione, 'Creazione di un programma'.

6. Una volta completata la programmazione, premere due volte **F** per tornare alla schermata iniziale.

7. Per eliminare un segmento, evidenziare il segmento interessato, quindi premere **S**.

8. Ruotare la manopola fino ad evidenziare **Elimina**. Premere **S** per selezionare.

Il segmento viene eliminato.

9. Premere due volte **F** per ritornare alla schermata iniziale.

IT

5.3.4 Selezione del tipo di liquido

L'intervallo della temperatura impostata dipende dal tipo di liquido.
In base al liquido selezionato, l'intervallo impostabile varia come segue:

Liquido	Impostazione dell'intervallo della temperatura
Acqua	da 0°C a 100°C
Acqua-Glicole	*da -30°C a 70°C
Olio bassa temp.	da -50°C a 50°C
Olio alta temp.	†da 70°C a 150°C (TX150) ‡da 70°C a 200°C (TXF200)
Annullare	§da -50°C a 150°C (TX150) §da -50°C a 200°C (TXF200)

*Acqua-Glicole (50% acqua, 50% antigelo (etilen glicole inibito))

†Olio alta temp. (olio di silicone con le seguenti caratteristiche: viscosità 20 centistoke, punto di infiammabilità $\geq 230^{\circ}\text{C}$, punto di combustione $\geq 280^{\circ}\text{C}$).

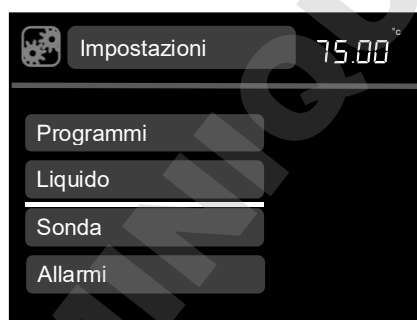
‡Olio alta temp. (olio di silicone con le seguenti caratteristiche: viscosità 50 centistoke, punto di infiammabilità $\geq 285^{\circ}\text{C}$, punto di combustione $\geq 340^{\circ}\text{C}$).

§Quando è impostato su Annullare è responsabilità dell'utente selezionare un liquido sicuro idoneo.

Per la descrizione completa dei liquidi raccomandati per i bagni, vedere la Sezione 4.6.

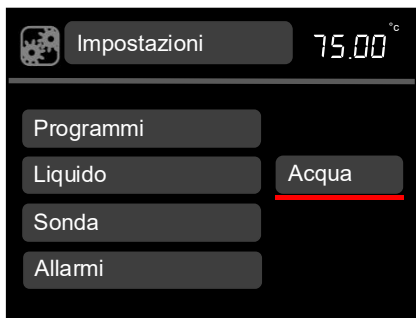


1. Ruotare la manopola fino ad evidenziare l'icona delle **impostazioni** e premere il pulsante **S**.



2. Ruotare la manopola per scorrere l'elenco verso l'alto o verso il basso, fino ad evidenziare **Liquido**, quindi premere il pulsante **S** per selezionare.

Vengono visualizzate le diverse opzioni di liquidi.



3. Ruotare la manopola per scorrere l'elenco dei liquidi disponibili, quindi premere **S** per salvare la selezione.

Viene visualizzata nuovamente la schermata delle impostazioni.

4. Premere **F** per ritornare alla schermata iniziale.

5.3.5 Selezione del tipo di sonda termica

La temperatura del bagno può essere controllata per mezzo di una sonda termica interna o esterna.



1. Ruotare la manopola fino ad evidenziare l'icona delle **impostazioni** e premere il pulsante **S**.



2. Ruotare la manopola per scorrere l'elenco verso l'alto o verso il basso, fino ad evidenziare **Sonda**, quindi premere **S** per selezionare.

Vengono visualizzate le diverse opzioni di sonda.



3. Ruotare la manopola per scorrere i tipi di sonda (**Esterna** o **Interna**), quindi premere **S** per salvare la selezione.

Viene visualizzata nuovamente la schermata delle impostazioni.

L'icona della sonda esterna viene visualizzata nella schermata iniziale

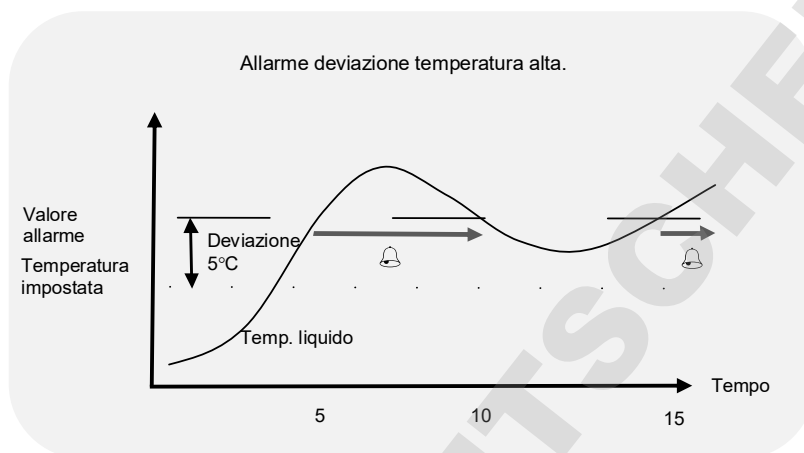
4. Premere **F** per ritornare alla schermata iniziale.

IT

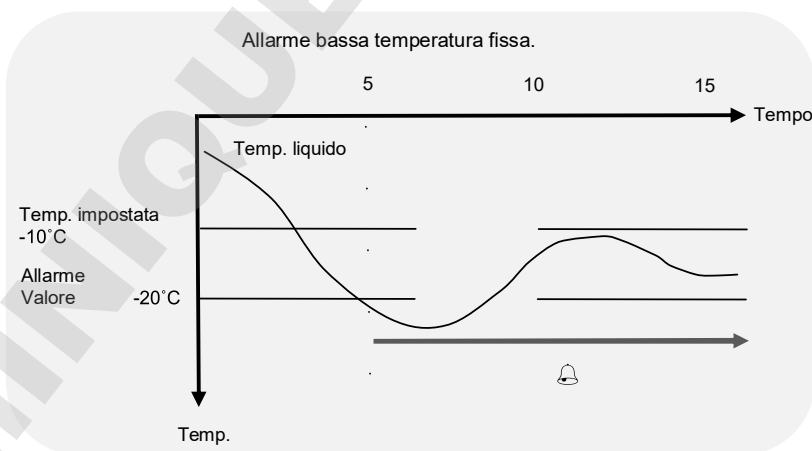
5.3.6 Configurazione degli allarmi di alta e bassa temperatura

Il menu allarmi comprende tre funzioni:

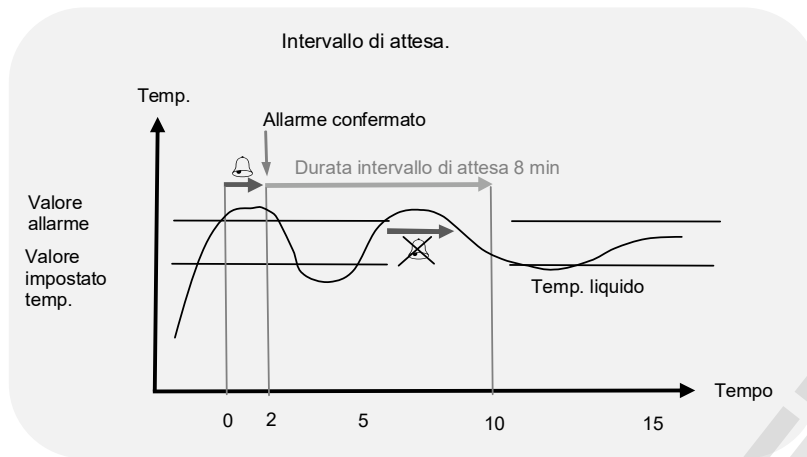
1. Una funzione di allarme di temperatura alta che si attiva quando la temperatura del bagno supera il valore assegnato all'allarme. Questo valore può essere impostato come temperatura fissa al di sopra della temperatura impostata o come deviazione superiore rispetto alla temperatura impostata. A seguire è riportato un esempio di allarme di deviazione di temperatura alta, in cui il valore della deviazione è stato impostato su 5°C.



2. Un allarme di temperatura bassa che si attiva quando la temperatura del bagno scende al di sotto del valore assegnato all'allarme. Questo valore può essere impostato come temperatura fissa al di sotto della temperatura impostata o come deviazione inferiore rispetto alla temperatura impostata. A seguire è riportato un esempio di allarme di bassa temperatura fissa, in cui il valore della temperatura fissa è stato impostato su -20°C.



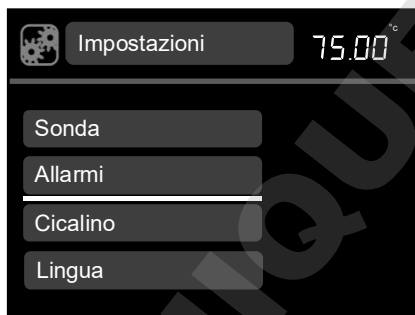
3. È possibile impostare un intervallo di attesa, ovvero un intervallo di tempo regolabile tra 0 e 21 minuti durante il quale l'allarme acustico non si attiva dopo che è stato premuto uno dei pulsanti a conferma di una condizione di allarme. Se la temperatura del bagno torna a un valore tale da non superare il livello di allarme, l'allarme viene annullato. Se tuttavia la temperatura resta esterna al livello di allarme, la condizione di allarme si ripresenta allo scadere dell'intervallo di attesa.



Ogni allarme può essere programmato in modo da bloccare, attivare un segnale acustico e un relè. Gli allarmi si cancellano premendo il pulsante **F** o **S** o eliminando una condizione di allarme.



1. Ruotare la manopola fino ad evidenziare l'icona delle **impostazioni** e premere il pulsante **S**.



2. Ruotare la manopola per scorrere l'elenco verso l'alto o verso il basso, fino ad evidenziare **Allarmi**, quindi premere **S** per selezionare.



3. Viene evidenziato **Modalità Allarme valore alto**. Premere **S** per selezionare.
4. Ruotare la manopola per selezionare **Temp. fissa**, **Deviazione** o **Disattivato**. Premere **S** per selezionare.

Viene visualizzata la schermata dell'allarme valore alto.





5. Viene evidenziato **Temperatura**. Premere **S** per selezionare.
6. Ruotare la manopola per definire il valore della temperatura e premere **S** per salvare.
7. Ruotare la manopola fino a evidenziare **Permanente**. Premere **S** per selezionare.
8. Ruotare la manopola per visualizzare **Attivare/Disattivare**. Premere **S** per selezionare.

Quando la funzione permanente è attivata, l'allarme temperatura continua a meno che non sia riconosciuto dall'utente anche se la temperatura diminuisce.

9. Ruotare la manopola fino ad evidenziare **Relè**. Premere **S** per selezionare.
10. Ruotare la manopola per visualizzare **Attivare/Disattivare**. Premere **S** per selezionare.
11. Ruotare la manopola per selezionare **Segnale acustico**. Premere **S** per selezionare.
12. Ruotare la manopola per visualizzare **Attivare/Disattivare**. Premere **S** per selezionare.
13. Ruotare la manopola su **Salva**, quindi premere **S**. Viene visualizzata nuovamente la schermata delle impostazioni di allarme. La procedura può essere ripetuta per configurare un allarme di deviazione e per la funzione di allarme valore basso.



14. Ruotare la manopola fino ad evidenziare **Attesa**. Premere **S** per selezionare.
15. Ruotare la manopola per selezionare un intervallo di attesa (compreso tra 10 secondi e 21 minuti). Premere **S** per selezionare.

Ruotare la manopola su **Salva**, premere **S** per salvare tutte le impostazioni.

Viene visualizzato nuovamente il menu delle impostazioni.

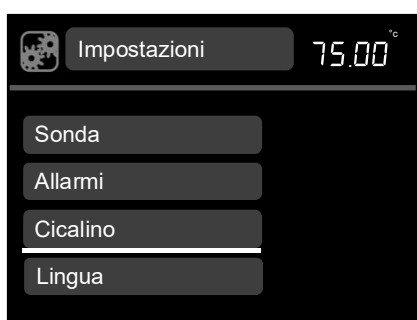
16. Premere **F** per ritornare alla schermata iniziale.

5.3.7 Impostazione del livello di volume del segnale acustico

Sono disponibili tre livelli di volume per il segnale acustico: basso, medio e alto, oltre a disattivato.



1. Ruotare la manopola fino ad evidenziare l'icona delle **impostazioni** e premere il pulsante **S**.



2. Ruotare la manopola per scorrere l'elenco verso l'alto o verso il basso, fino ad evidenziare **Segnale acustico**, quindi premere **S** per selezionare.

Vengono visualizzate le opzioni di volume.



3. Ruotare la manopola per scorrere i livelli di volume (basso, medio, alto e disattivato) e premere **S** per salvare la selezione.

Viene visualizzata nuovamente la schermata delle impostazioni.

4. Premere **F** per ritornare alla schermata iniziale.

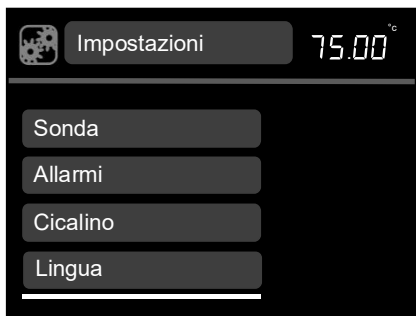
5.3.8 Selezione di una lingua

Sono disponibili cinque lingue: inglese, francese, tedesco, italiano e spagnolo.



1. Ruotare la manopola fino ad evidenziare l'icona delle **impostazioni** e premere il pulsante **S**.

IT



2. Ruotare la manopola per scorrere l'elenco verso l'alto o verso il basso, fino ad evidenziare **Lingua**, quindi premere **S** per selezionare.

Vengono visualizzate le lingue disponibili.



3. Ruotare la manopola per scorrere l'elenco delle lingue (**Inglese, Francese, Tedesco, Italiano e Spagnolo**) e premere **S** per salvare la selezione.

Viene visualizzata nuovamente la schermata delle impostazioni.

4. Premere **F** per ritornare alla schermata iniziale.

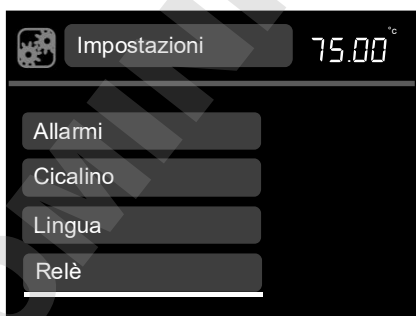
5.3.9 Prova e configurazione del relè

I modelli TX150 e TFX200 possono essere configurati per commutare un relè nella funzione programma.

Questa funzione può essere testata manualmente fuori dalla funzione programma seguendo le istruzioni indicate.

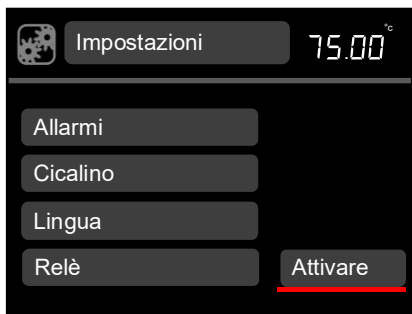


1. Ruotare la manopola fino ad evidenziare l'icona delle **impostazioni** e premere il pulsante **S**.



2. Ruotare la manopola per scorrere l'elenco verso l'alto o verso il basso, fino ad evidenziare **Relè**, quindi premere **S** per selezionare.

Vengono visualizzate le diverse opzioni di relè.



3. Ruotare la manopola per **Attivare/Disattivare**. Premere **S** per salvare la selezione.

Viene visualizzata nuovamente la schermata delle impostazioni.

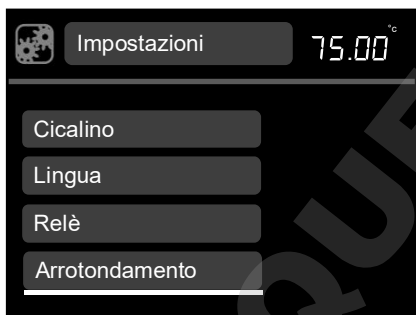
4. Premere **F** per ritornare alla schermata iniziale.

5.3.10 Arrotondamento del display

I termostati TX150 e TFX200 possono essere configurati in modo da indicare una temperatura arrotondata piuttosto che i cambiamenti minori che si verificano quando il blocco riscaldante manda l'impulso di mantenere la temperatura.

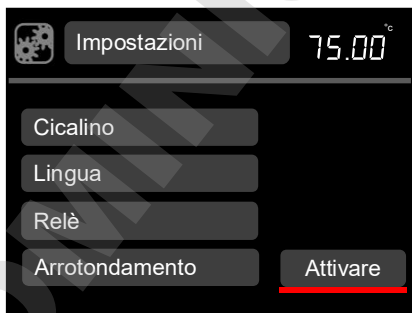


1. Ruotare la manopola fino ad evidenziare l'icona delle **impostazioni**, premere il pulsante S.



2. Ruotare la manopola per scorrere l'elenco verso l'alto o verso il basso, fino ad evidenziare l'**Arrotondamento** del display, premere **S** per selezionare.

Sono visualizzate le opzioni di arrotondamento del display.



3. Ruotare la manopola per **Attivare/Disattivare**, premere **S** per salvare la selezione.

Viene visualizzata nuovamente la schermata delle impostazioni.

4. Premere **F** per ritornare alla schermata iniziale.

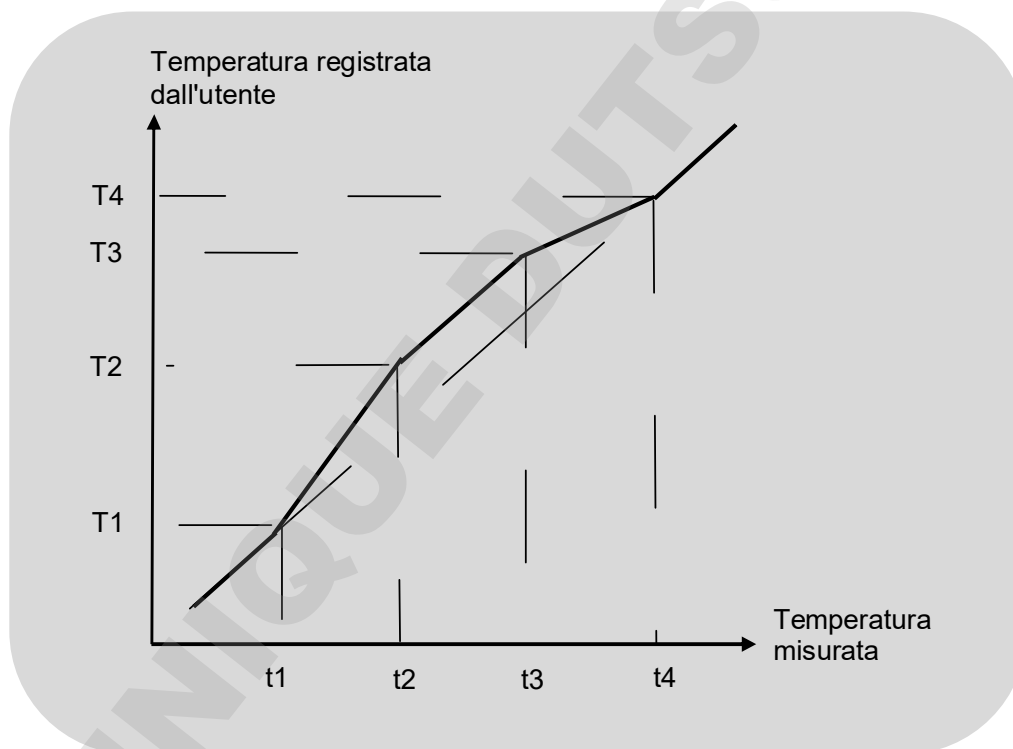
5.4 Esecuzione della calibrazione

I termostati TX150 e TXF200 consentono di calibrare fino a cinque punti di temperatura. Il menu della calibrazione è accessibile premendo simultaneamente i pulsanti **F** e **S** per circa 3 secondi.

Le temperature di calibrazione sono circoscritte dai limiti di temperatura previsti dall'impostazione del tipo di liquido. La calibrazione deve essere effettuata per mezzo di un termometro di riferimento tracciabile con un'accuratezza di almeno $0,1^{\circ}\text{C}$. Il termometro utilizzato deve essere posizionato in maniera stabile al centro del bagno o del recipiente.

Sono preimpostati due punti di calibrazione definiti in fabbrica (20°C e 70°C), visualizzati nel menu di calibrazione della sonda. Se necessario è possibile ricalibrarli e aggiungere fino a tre altri punti di calibrazione. I punti di calibrazione devono essere scelti in corrispondenza di temperature sperimentali critiche a cui l'accuratezza è importante, oppure agli estremi dell'intervallo operativo delle temperature adottate.

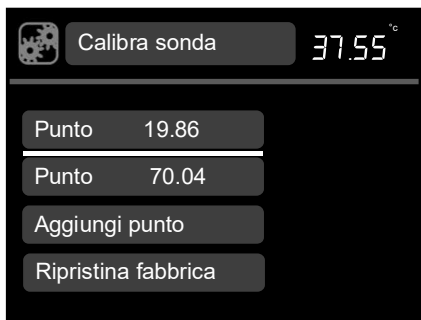
Il TX150/TXF200 calcola la temperatura in qualsiasi punto usando i valori calcolati che attraversano ogni punto di calibrazione. Ciò garantisce la precisione in corrispondenza di tutte le temperature sperimentali critiche nell'intervallo totale di utilizzo. Nell'esempio seguente sono stati utilizzati, 4 punti di calibrazione.



I punti di calibrazione devono essere intervallati da almeno 5°C e tra i due punti estremi deve esserci una differenza di almeno 20°C . Eventuali punti aggiunti che non soddisfino tali criteri non saranno accettati dall'unità.

Una volta impostati, i punti di calibrazione possono essere modificati o eliminati a condizione che restino almeno 2 punti.

Prima di procedere con la calibrazione, accertarsi che sia stato selezionato il tipo corretto di sonda da calibrare (interna o esterna), che il bagno sia impostato sulla temperatura desiderata e che la temperatura sia rimasta stabile per almeno 5 minuti.

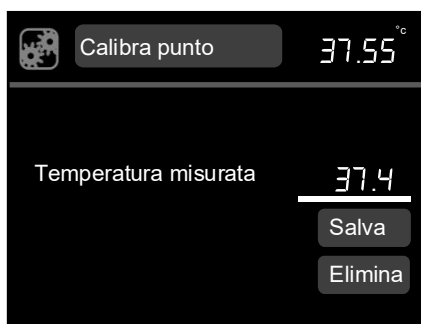


1. Premere simultaneamente i pulsanti **F** e **S** per circa 3 secondi.

Il menu di calibrazione della sonda visualizza i punti di calibrazione definiti in fabbrica e la temperatura corrente del bagno nell'angolo superiore destro della schermata.

2. Ruotare la manopola fino a evidenziare **Aggiungi punto**. Premere **S** per selezionare.

Viene visualizzato il menu di calibrazione dei punti. Se è stata selezionata una sonda esterna, nell'angolo superiore sinistro viene visualizzata l'icona della sonda esterna. In caso contrario, durante la calibrazione della sonda interna viene visualizzata l'icona delle impostazioni.



3. Ruotare la manopola fino a evidenziare **Temperatura misurata**. Premere **S** per selezionare.

4. Ruotare la manopola fino a visualizzare sullo schermo la temperatura letta dal termometro calibrato. Premere **S** per salvare il valore.

5. Ruotare la manopola fino ad evidenziare **Salva**. Premere **S** per selezionare.

Viene visualizzata nuovamente la schermata di calibrazione della sonda.

6. Premere **F** per ritornare alla schermata iniziale.

Per aggiungere ulteriori punti di calibrazione, ripetere i passaggi da 2 a 5.

*Per eliminare punti di calibrazione, selezionare **Elimina** nella schermata dei punti di calibrazione*

5.4.1 Ripristino delle impostazioni di calibrazione di fabbrica

Se il valore del termometro viene inserito prima che la temperatura del bagno abbia avuto il tempo di stabilizzarsi, la calibrazione potrebbe non risultare adeguata e le misure della temperatura del liquido potrebbero non essere corrette. Se dopo la calibrazione il TX150/TXF200 non corrisponde al termometro, la calibrazione potrebbe non essere stata completata e l'unità dovrebbe essere resettata per mezzo della funzione di ripristino delle impostazioni di fabbrica.



1. Premere simultaneamente i pulsanti **F** e **S** per circa 3 secondi.
2. Ruotare la manopola fino a evidenziare **Ripristina valori di fabbrica**. Premere **S** per selezionare.

*Vengono visualizzati **Si/No**.*

3. Ruotare la manopola per visualizzare **Si**. Premere **S** per selezionare.

I valori di calibrazione di fabbrica sono ripristinati

4. Premere **F** per ritornare alla schermata iniziale.

IT

6.0 Specifiche tecniche

6.1 Condizioni d'uso

Intervallo temperatura ambiente	da 5 a 40°C
Altitudine sul livello del mare	Fino a 2.000m
Ambiente operativo	Esclusivamente per l'uso in ambiente interno.
Umidità relativa massima	80% UR fino a 31°C, con riduzione al 50% UR a 40°C

6.2 Particolari elettrici

Alimentazione elettrica di rete:	220-240 V a 50/60 Hz o 110-120 V a 50/60 Hz
Grado di inquinamento:	2
Categoria di installazione:	II

Le fluttuazioni della tensione di rete non devono superare il $\pm 10\%$ della tensione nominale.

6.3 Prestazioni del prodotto

	TX150	TX150L	TXF200	TXF200L
Intervallo di temperatura configurabile	da -50°C a 150°C		da -50°C a 200°C	
Stabilità (DIN 12876)	$\pm 0,01^\circ\text{C}$			
Uniformità (DIN 12876)	$\pm 0,05^\circ\text{C}$			
Pressione max. alla testa della pompa	310 mBar		530 mBar	
Portata max. della pompa	18l/min		22l/min (regolabile)	
Consumo max. di elettricità	9A	12,5A	9A	12,5A
Potenza del blocco riscaldante	1,8 kW	1,4 kW	1,8 kW	1,4 kW

6.4 Informazioni sugli accessori del bagno

	ST5	ST12	ST18	ST26	ST38
Capacità della vasca (litri)	5	12	18	26	38
Profondità minima/massima del liquido (mm)	85/140	85/140	75/130	125/180	125/180

	P5	P12	P18
Capacità della vasca (litri)	5	12	18
Profondità minima/massima del liquido (mm)*	85/140	85/140	85/140

7.0 Suggerimenti tecnici

7.1 Quale acqua usare per il bagno?

Per un'affidabilità a lungo termine dei bagni ad acqua, è importante usare acqua ossigenata priva di ioni e minerali che possano corrodere l'acciaio inossidabile. È consigliato l'uso di acqua distillata e deionizzata proveniente dai moderni sistemi a scambio ionico che non usano il lavaggio a base di sali per rigenerare le cartucce a scambio ionico.

L'acciaio inossidabile è protetto dalla corrosione da uno strato di ossido di cromo. Se lo strato è danneggiato, l'ossigeno presente nell'acqua può riformare lo strato di ossido. Se l'acqua è distillata o deossigenata e lo strato di ossido è danneggiato, gli ioni possono corrodere la vasca in acciaio inossidabile. Se il bagno ad acqua è rimasto inutilizzato o l'acqua non è stata bollita per qualche tempo, consigliamo di usare acqua distillata nuova o acqua deionizzata corretta.

L'acqua normalmente contiene ioni di calcio o magnesio. L'acqua deionizzata è priva della maggior parte degli ioni come indica il suo livello di conduttività; più pura l'acqua, minore la conduttività. È importante usare solo acqua deionizzata proveniente da un sistema a scambio ionico con cartucce sostituibili. Non utilizzare acqua deionizzata proveniente da un sistema a scambio ionico con meccanismo di lavaggio a base di sali per rigenerare la resina a scambio ionico, poiché questo sistema può lasciare ioni di sodio residui che hanno un effetto molto corrosivo sull'acciaio inossidabile.

7.2 Come prevenire la ruggine nei bagni ad acqua

La maggior parte delle vasche Grant, come pure le parti immerse, sono realizzate in acciaio inossidabile di tipo 304, un grado di acciaio inossidabile per uso generico estremamente versatile. È l'eccellente lavorabilità che ha fatto di questo tipo di acciaio il più importante nella produzione di bagni ad acqua industriali e di laboratorio, oltreché di lavandini domestici e pentole. L'acciaio inossidabile 304 è particolarmente adatto alle applicazioni nelle quali l'igiene sia un fattore importante; dimostra una buona resistenza al calore e un'eccellente resistenza alla corrosione.

Tuttavia, sebbene sia resistente alla corrosione generica delle superfici, l'acciaio inossidabile è sensibile a tipi specifici di corrosione, in particolare vaiolatura e tensiocorrosione. L'acciaio inossidabile può essere soggetto anche a corrosione generica in ambienti specifici, come quelli contenenti acido cloridrico o acido solforico.

L'acciaio inossidabile è protetto dal suo alto tenore di elementi di lega, principalmente cromo e nichel. Il cromo è l'elemento più importante per la resistenza alla corrosione, coadiuvato nella sua funzione dal nichel. Il cromo forma uno strato di ossido sulla superficie dell'acciaio che inibisce ogni ulteriore ossidazione. Questo strato aderisce molto bene al substrato di metallo, ma è essenziale che rimanga integro e deve essere protetto da vari tipi di danneggiamento.

Se lo strato di ossido di cromo superficiale è danneggiato, l'ossigeno presente nell'acqua può riformare lo strato di ossido, quindi è consigliabile assicurare che l'acqua sia sempre non sfruttata e ben ossigenata. I bagni che rimangono inutilizzati per un lungo periodo di tempo devono essere svuotati e asciugati da tutta l'umidità sul fondo della vasca.

In alcuni casi è possibile che compaia uno strato marrone sulla superficie della vasca in acciaio inossidabile. Molto spesso non si tratta di ruggine, ma di un deposito superficiale di minerali della fornitura idrica locale oppure di particelle ferrose o sali caduti nella vasca. Questi depositi possono normalmente essere rimossi con prodotti per la pulizia domestica come il lucido per metalli Duraglit o Silvo.

7.3 Come prevenire le alghe e i batteri

I bagni ad acqua forniscono l'ambiente ideale per lo sviluppo di microrganismi. Se non controllato, tale sviluppo può causare una serie di gravi problemi e rischi per la salute derivanti da batteri patogeni.

Lo sviluppo di alghe sulla superficie dei componenti causa incrostazioni biologiche che possono ridurre le prestazioni del bagno.

I microrganismi che generano sottoprodotti metabolici acidi possono dar luogo a una corrosione di tipo biologico tramite la depolarizzazione delle superfici metalliche.

Sul mercato sono disponibili diversi biocidi.

8.0 Informazioni sulla garanzia

Se usato in un ambiente di laboratorio e in base alle presenti istruzioni, questo prodotto è garantito per TRE ANNI contro difetti di materiali o lavorazione.

È possibile estendere la garanzia a quattro o cinque anni rivolgendosi al nostro ufficio vendite all'indirizzo labsales@grantinstruments.com.

9.0 Manutenzione e assistenza

9.1 Manutenzione ordinaria

L'interruttore di sovratemperatura del TX150/TXF200 deve essere controllato periodicamente ruotando la manopola di sovratemperatura in senso antiorario per mezzo di un cacciavite fino all'attivazione dell'allarme. L'unità attiva anche un segnale acustico e il display visualizza "Allarme sovratemperatura". A questo punto, la manopola di sovratemperatura deve essere ruotata fino ad indicare 10°C al di sopra della temperatura del liquido e l'unità TX150/TXF200 spenta e poi riaccesa per confermare che l'interruttore di sovratemperatura può essere reimpostato correttamente. Se l'allarme si attiva quando il valore indicato dalla manopola di sovratemperatura è più di 10°C al di sotto della temperatura corrente indicata dal display principale, è necessario sottoporre l'unità a un controllo da parte di un tecnico competente.

È opportuno controllare periodicamente anche il dispositivo a galleggiante di controllo del livello del liquido, facendo calare il livello del liquido nel bagno e verificando che l'"Allarme liquido basso" venga attivato quando la curva superiore dell'elemento riscaldante è ancora immersa nel liquido. Se sono installati tubi sulla pompa, è opportuno ispezionarli periodicamente ed eventualmente sostituirli per evitare guasti o rotture. È inoltre opportuno controllare periodicamente il galleggiante per escludere la presenza di calcare, sporcizia o corpi estranei che possano ostacolare il funzionamento in caso di livelli di liquido bassi."

Non sono richiesti altri interventi di manutenzione ordinaria.

9.2 Pulizia

Pulire le superfici esterne dell'apparecchiatura con un panno inumidito di sola acqua. Non usare prodotti chimici. Prima di usare qualsiasi altro metodo di pulizia o decontaminazione, consultare GRANT o il rappresentante GRANT locale per assicurarsi di non danneggiare l'apparecchiatura. Le incrostazioni sulle parti immerse possono essere rimosse con idonei prodotti chimici destinati alla disincrostazione di apparecchi che comprendono parti metalliche.



I prodotti disincrostanti possono essere tossici. Seguire le istruzioni del produttore.

9.3 Fusibili

I fusibili del TX150/TXF200 sono interni e non dovrebbero necessitare di sostituzioni.

9.4 Sostituzione del cavo di alimentazione

Qualsiasi cavo sostitutivo utilizzato per TX150 o TXF200 deve presentare le stesse caratteristiche di quello fornito in dotazione con l'unità, in modo da garantirne la sicurezza.

Il cavo deve recare impresse le diciture <HAR>, HO5VV-F 3Gx1mm² 90°C ed essere in grado di supportare 10 A. La spina di alimentazione e il connettore IEC devono essere approvati da un organismo di certificazione europeo (per esempio, BSI, VDE o equivalente).

9.5 Test di routine per la sicurezza

Se sono richiesti test di routine, consigliamo di testare l'integrità del conduttore di messa a terra di protezione e di effettuare una prova d'isolamento a 500V DC. L'esecuzione di "flash test" di routine non è consigliabile per nessuna apparecchiatura elettrica, poiché i ripetuti test ad alta tensione deteriorano i materiali isolanti.

9.6 Assistenza

Se è richiesta assistenza, spegnere l'unità e contattare GRANT o i suoi rappresentanti locali per le riparazioni.

Ricordiamo che tutte le unità restituite devono essere accompagnate da un codice RMA (autorizzazione resi, Return Materials Authorisation) che può essere richiesto contattando l'ufficio assistenza Grant (i recapiti sono indicati di seguito).

Service Department
Grant Instruments (Cambridge) Ltd
Shepreth
Cambridgeshire
SG8 6GB
UK



Tel.: +44 (0) 1763 260 811
Fax: +44 (0) 1763 262 410
E-mail: labservice@grantinstruments.com




10.0 Accessori opzionali

L'elenco completo degli accessori e delle opzioni per i prodotti è consultabile nel Grant Scientific Reference Catalogue (una copia del quale è disponibile a richiesta) o sul sito web Grant all'indirizzo www.grantinstruments.com.

11.0 Individuazione dei guasti

Sintomo	Possibile causa	Azione richiesta
La temperatura continua ad aumentare quando non dovrebbe.	La temperatura impostata è superiore alla temperatura del liquido.	Verificare che la temperatura del bagno sia corretta (vedere la Sezione 5.2.9).
Temperatura impostata eccessivamente limitata.	Il tipo di liquido impostato non è compatibile con il punto di riferimento desiderato.	Selezionare un tipo di liquido differente (vedere la Sezione 5.3.4).
La temperatura non aumenta come dovrebbe.	La temperatura impostata è inferiore alla temperatura del liquido. La temperatura impostata è troppo vicina alla temperatura ambiente.	Verificare che la temperatura del bagno sia corretta (vedere la Sezione 5.2.9). Aumentare la temperatura impostata (vedere la Sezione 5.2.9) o installare un sistema di raffreddamento ausiliario (vedere la Sezione 4.9).
Viene visualizzato il messaggio "Allarme temperatura alta".	Si è attivato l'allarme per alta temperatura.	Verificare che la temperatura del bagno sia corretta (vedere la Sezione 5.2.9). Verificare che l'allarme per alta temperatura sia corretto (vedere la Sezione 5.3.6). Verificare che il livello del liquido del bagno sia adeguato (vedere la Sezione 6.4 per i livelli di riempimento minimi).
Viene visualizzato il messaggio "Allarme temperatura bassa".	Si è attivato l'allarme per bassa temperatura.	Verificare che la temperatura del bagno sia corretta (vedere la Sezione 5.2.9). Verificare che l'allarme per temperatura bassa sia corretto (vedere la Sezione 5.3.6). Verificare che il livello del liquido del bagno sia adeguato (vedere la Sezione 6.4 per i livelli di riempimento minimi).
L'unità visualizza temperature improbabili.	Valori di calibrazione non correttamente impostati.	Ripristinare le impostazioni di calibrazione di fabbrica (vedere la Sezione 5.4.1) quindi, se necessario, ricalibrare (vedere la Sezione 5.4).
Il nuovo punto di calibrazione non viene salvato.	Valore di calibrazione non corretto.	Il punto di calibrazione della temperatura massima è meno di 20°C rispetto a un punto di calibrazione esistente. Impostare una temperatura più elevata (vedere la Sezione 5.4). La temperatura del liquido misurata è più di 5°C rispetto alla temperatura di calibrazione selezionata.
È possibile evidenziare solo l'icona Standby.	L'unità è in modalità standby.	Evidenziare e selezionare l'icona Standby e premere "S" per uscire dalla modalità standby.
Le icone possono essere evidenziate ma non selezionate.	Programma in esecuzione	Attendere la conclusione del programma o interromperlo.

Sintomo	Possibile causa	Azione richiesta
Si è selezionato un numero predefinito ma l'icona diventa "-".	<p>Impostazione predefinita non configurata.</p> <p>La temperatura impostata predefinita non è valida per il liquido selezionato.</p>	<p>Selezionare Impostazioni predefinite nel menu Impostazioni e configurare un'impostazione predefinita (vedere la Sezione 5.3.1.).</p> <p>Selezionare Liquido nel menu Impostazioni e selezionare un liquido valido ad ogni temperatura desiderata (vedere sezione 5.3.4).</p>
Si è selezionato un numero di programma ma l'icona diventa "-".	<p>Programma non configurato.</p> <p>Uno o più segmenti di programmi contengono una temperatura desiderata che non è valida per il liquido selezionato.</p>	<p>Selezionare Programmi nel menu Impostazioni e configurare un programma come descritto nella Sezione 5.3.2.</p> <p>Selezionare Liquido nel menu Impostazioni e selezionare un liquido valido ad ogni temperatura desiderata (vedere sezione 5.3.4).</p>
Il motore dell'agitatore non gira.	<p>L'unità è in modalità standby.</p> <p>Il propulsore dell'agitatore o la girante della pompa sono inceppati.</p> <p>Motore guasto.</p>	<p>Evidenziare l'icona Standby nella schermata di controllo e premere il pulsante S per tornare al funzionamento normale.</p> <p>Eliminare l'inceppamento.</p> <p>Rivolgersi a un tecnico qualificato per controllare il motore oppure contattare Grant.</p>
Viene visualizzato il messaggio "Allarme di sovratemperatura". 	È intervenuto l'interruttore di sovratemperatura.	<p>Verificare che la temperatura impostata sia corretta e che il valore di interruzione per sovratemperatura sia impostato su almeno 5°C al di sopra della temperatura impostata. Per istruzioni sulle modalità di impostazione, consultare la Sezione 5.5.</p> <p>Se il valore di interruzione per sovratemperatura è correttamente impostato ma l'unità continua a visualizzare l'allarme "Interruzione", l'unità presenta un guasto interno e deve essere riparata prima di poter essere rimessa in uso.</p>
Viene visualizzato il messaggio "Allarme basso livello liquido". 	Il liquido è sceso al di sotto del livello minimo.	Verificare che il livello del liquido del bagno sia adeguato (vedere la Sezione 6.4 per i livelli di riempimento minimi).
Viene visualizzato il messaggio "Impostare una temperatura valida".	La selezione del liquido è stata modificata e la temperatura precedentemente impostata non è valida per il nuovo liquido.	Evidenziare l'icona della temperatura impostata (che diventerà -.) e impostare la temperatura richiesta.

Sintomo	Possibile causa	Azione richiesta
Viene visualizzato il messaggio "Diff. tra temp. interna ed esterna eccessiva".	Si registra una differenza di temperatura di oltre 10 gradi tra la sonda interna e quella esterna.	Controllare che la sonda esterna sia correttamente collegata al pannello posteriore. Controllare che la sonda esterna sia correttamente posizionata nel liquido del bagno e che la circolazione non sia impedita. Se la sonda esterna non è necessaria, selezionare la sonda interna per mezzo del menu Impostazioni.
Viene visualizzato il messaggio "Anomalia sonda temperatura interna". 	Sonda termica difettosa.	Richiedere l'intervento di un tecnico qualificato per verificare che non vi sia un guasto di circuito aperto o cortocircuito, oppure contattare Grant.
Viene visualizzato il messaggio "Anomalia sonda temperatura esterna".	La sonda della temperatura esterna non è collegata. Sonda termica difettosa.	Controllare che la sonda esterna sia correttamente collegata al pannello posteriore. Richiedere l'intervento di un tecnico qualificato per verificare che non vi sia un guasto di circuito aperto o cortocircuito, oppure contattare Grant.
Viene visualizzato il messaggio "Anomalia del programma." 	Uno o più segmenti del programma contengono un'impostazione non valida o non è stato possibile leggerli dalla memoria.	Ricaricare il programma se proveniente da LabWise o modificare ogni segmento dell'unità (solo TXF200).
Viene visualizzato il messaggio "Potenza di surriscaldamento ridotta". 	Acqua del riscaldatore in ebollizione o prossima alla temperatura di ebollizione senza coperchio. Riscaldamento di volumi di liquido molto elevati con ingente dissipazione termica.	Applicare un coperchio per ridurre la dissipazione termica e lasciare l'unità in funzione con l'avvertimento "Surriscaldamento" a vista. Se l'allarme non scompare entro 1 ora, rivolgersi a Grant. Adottare precauzioni volte a ridurre la dissipazione termica e lasciare l'unità in funzione con l'avvertimento "Surriscaldamento" a vista. Se l'allarme non scompare entro 1 ora, rivolgersi a Grant.
Viene visualizzato il messaggio "Richiesta assistenza 01"	Relè, fusibile/i o elemento riscaldante difettosi.	Rivolgersi a un tecnico qualificato per controllare il prodotto oppure contattare Grant.
Viene visualizzato il messaggio "Richiesta assistenza 02"	Pompa o elica è ostruito Guasto al motore	Rimuovere l'ostruzione Rivolgersi a un tecnico qualificato per controllare il prodotto oppure contattare Grant
Viene visualizzato il messaggio "Errore di controllo incrociato".	Errore PCB.	Rivolgersi a un tecnico qualificato per controllare il prodotto oppure contattare Grant.

Per qualsiasi altro errore o richiesta di assistenza, rivolgersi all'ufficio assistenza di Grant Instruments.

12.0 Come contattare Grant Instruments

Grant si impegna a migliorare costantemente le prestazioni offerte ai propri clienti. Qualsiasi commento o riscontro sui nostri prodotti e servizi è il benvenuto. Inviare a:

Quality Manager
Grant Instruments (Cambridge) Ltd
Shepreth
Cambridgeshire
SG8 6GB
UK

Tel.: +44 (0) 1763 260 811
Fax: +44 (0) 1763 262 410
E-mail: feedback@grantinstruments.com

13.0 Conformità

Direttiva WEEE

Grant Instruments aderisce in pieno alle normative UE del 2006 sui rifiuti delle apparecchiature elettriche ed elettroniche (Waste Electrical & Electronic Equipment (WEEE)). Siamo membri del programma di conformità B2B (numero di approvazione del programma WEE/MP3338PT/SCH) al cui ente abbiamo affidato l'amministrazione degli obblighi derivanti dalla direttiva WEEE. Grant Instruments ha ricevuto un numero di registrazione esclusivo dall'Agenzia per l'ambiente: WEE/GA0048TZ.

Per informazioni sulla raccolta WEEE nel Regno Unito, rivolgersi direttamente all'ente che gestisce il programma di conformità B2B (B2B Compliance Scheme) al numero 01691 676 124.

I residenti in altri Paesi sono pregati di rivolgersi al proprio fornitore locale.

Per informazioni generali sulla direttiva WEEE, visitare il sito Web:
www.b2bcompliance.org.uk

Direttiva RoHS

Tutti i prodotti considerati nel presente manuale sono conformi ai requisiti della Direttiva RoHS (Direttiva 2002/95/CE).

Sicurezza elettrica e compatibilità elettromagnetica

Tutti i prodotti descritti nel presente manuale sono conformi ai requisiti della Direttiva Bassa Tensione (2006/95/CE) per la sicurezza elettrica e ai requisiti della direttiva EMC (2004/108/CE) per la compatibilità elettromagnetica. Vedere la Dichiarazione di conformità all'interno del retro di copertina.

IT

Grant Instruments, con sede en los alrededores de Cambridge (Inglaterra), es líder mundial en la fabricación y el diseño de equipos para preparación de muestras, análisis científico y obtención y análisis de datos, y ofrece soluciones al mercado científico e industrial global.

Cumplimiento de normas y calidad

La marca y la reputación de Grant se basan en su calidad, fiabilidad y precisión. Garantizamos que nuestros productos cumplen estrictamente todas las normas internacionales de seguridad necesarias.

Prestamos especial atención a las pruebas de seguridad de productos y nos mantenemos a la vanguardia de la norma de seguridad de productos para equipos de laboratorio CEI 61010-1. La compañía está comprometida con dirigir su laboratorio de pruebas de seguridad de acuerdo con los requisitos de ISO 17025.

Grant funciona con un Sistema de Gestión de Calidad que cumple los requisitos de la norma BS EN ISO 9001:2008.

Además de cumplir esta norma, Grant está comprometida en mejorar continuamente todo lo que hace, con un particular énfasis en lo que importa a nuestros clientes y proveedores, diseñando nuestros sistemas y trabajo para satisfacer sus necesidades

Si tiene algún comentario sobre los productos o servicios de Grant nos gustaría que nos lo comunicara. Envíe sus comentarios a:

Quality Manager
Grant Instruments (Cambridge) Ltd
Shepreth
Cambridgeshire
SG8 6GB
Reino Unido

Tel.: +44 (0) 1763 260 811
Fax: +44 (0) 1763 262 410
E-mail: feedback@grantinstruments.com

Índice

Índice	2
1.0 Uso de productos	4
2.0 Cómo utilizar este manual del operador	4
3.0 Información de seguridad	5
3.1 Cumplimiento en materia de seguridad	5
3.2 Símbolos de seguridad	5
3.3 Advertencias de seguridad	5
4.0 Instrucciones de uso	6
4.1 Instrucciones de desembalaje	6
4.2 Instalación del controlador en baños ST	6
4.3 Instalación del controlador en baños P	7
4.4 Instalación del controlador en baños personalizados	7
4.5 Retirada del controlador de la placa de unión	8
4.6 Líquidos recomendados	8
4.7 Instalación	9
4.8 Alimentación eléctrica	9
4.9 Uso del refrigerador auxiliar (C1G, C2G, CW5)	9
5.0 Procedimientos de funcionamiento	10
5.1 Funcionamiento	10
5.1.1 Nivel de líquido	10
5.1.2 Funcionamiento por encima de 60 °C	10
5.1.3 Funcionamiento a bajas temperaturas	10
5.1.4 Uso de la bomba	10
5.1.5 Uso de la salida del relé de conmutación	11
5.1.6 Vaciado de los baños ST	12
5.1.7 Instalación y encendido	12
5.1.8 Pérdida de potencia	13
5.2 Uso de TX150 y TXF200	13
5.2.1 Mandos del panel frontal	13
5.2.2 Conexiones del panel trasero	14
5.2.3 Puertos de comunicaciones	14
5.2.4 Puerto de relé conmutado	14
5.2.5 Entrada de sonda externa	14
5.2.6 Ajuste del termostato de sobret temperatura	15
5.2.7 Explicación de los iconos de la pantalla inicial	15
5.2.8 Descripción de la interfaz de usuario y los mandos	16
5.2.9 Ajuste de la temperatura de control	16
5.2.10 Ajuste de una velocidad de bomba (TXF200 solamente)	16
5.2.11 Utilización de un baño predefinido	17
5.2.12 Utilización de un temporizador de cuenta atrás	17
5.2.13 Ejecución de un programa	18
5.2.14 Activación del modo de espera	19
5.2.15 Acceso al menú de configuración	19
5.3 Visualización, modificación y almacenamiento de la configuración	21
5.3.1 Configuración de un programa predefinido	21
5.3.2 Creación de un programa (TXF200 solamente)	22
5.3.3 Modificación de un programa (TXF200 solamente)	24
5.3.4 Selección de un tipo de líquido	25
5.3.5 Selección de un tipo de sonda de temperatura	26
5.3.6 Configuración de las alarmas de alta y baja temperatura	27
5.3.7 Ajuste del nivel de volumen del zumbador	30
5.3.8 Selección de un idioma	30
5.3.9 Configuración y comprobación de relés	31
5.3.10 Pantalla de redondeo	32

5.4	Realización de una calibración	33
5.4.1	Restablecimiento de los ajustes de calibración de fábrica	34
6.0	Especificaciones técnicas	35
6.1	Condiciones de funcionamiento	35
6.2	Datos eléctricos	35
6.3	Rendimiento del producto	35
6.4	Información sobre los accesorios de baño	35
7.0	Consejos técnicos	36
7.1	¿Qué clase de agua debe utilizarse en el baño?	36
7.2	Cómo evitar el óxido de los baños maría	36
7.3	Cómo evitar las algas y las bacterias	37
8.0	Información de garantía	37
9.0	Mantenimiento y servicio	37
9.1	Mantenimiento periódico	37
9.2	Limpieza	37
9.3	Fusibles	38
9.4	Sustitución del cable de alimentación	38
9.5	Pruebas de seguridad rutinarias	38
9.6	Servicio	38
10.0	Accesorios opcionales	38
11.0	Solución de problemas	39
12.0	Comunicación con Grant Instruments	42
13.0	Cumplimiento legal	42

1.0 Uso de productos

Este manual sirve para los siguientes productos:

- TX150 y TX150L
- TXF200 y TXF200L

Estos productos son termostatos de inmersión de precisión que se utilizan con baños o circuladores diseñados para el uso profesional en interiores de laboratorios.

2.0 Cómo utilizar este manual del operador

Este manual del operador le ayudará a desembalar, instalar y utilizar este termostato de inmersión correctamente y con seguridad. A continuación se incluye información, símbolos y advertencias importantes que debe leer atentamente. El apartado 4 contiene información sobre cómo desembalar e instalar correctamente el producto. El apartado 5 contiene información sobre el uso de los modelos TX150 y TXF200. Los apartados 6 y 7 contienen especificaciones y consejos técnicos del producto. La garantía de este producto es de TRES AÑOS, se detalla en el apartado 8 y debe registrarse rellenando el formulario de registro en línea en www.grantinstruments.com.

Si hay alguna cuestión técnica que no trate este manual o tiene alguna duda sobre este producto, póngase en contacto con Grant Instruments o con su distribuidor local para obtener información adicional.

3.0 Información de seguridad

3.1 Cumplimiento en materia de seguridad

Los termostatos de inmersión Grant cumplen los requisitos de la norma internacional de seguridad CEI 61010: Requisitos de seguridad para equipos eléctricos de medición, control y uso en laboratorio. También cumplen las normas nacionales equivalentes, incluidas:

EN 61010-2-010
UL 61010A-2-010
CAN/CSA-C22.2 N° 61010-2-010-04

3.2 Símbolos de seguridad

En el equipo y a lo largo de este manual aparecen los símbolos siguientes, que indican:



Precaución: las superficies y el líquido de transferencia térmica pueden estar calientes durante y después del uso.



Lea este manual antes de utilizar el baño.



Advertencia de seguridad importante

3.3 Advertencias de seguridad



Lea estas instrucciones en su totalidad. De no seguirlas, puede poner en peligro la seguridad.



Utilice únicamente los líquidos que se indican en estas instrucciones de uso, según el margen de temperatura especificado, con el TX150/TXF200. No inhale el vapor desprendido; puede ser tóxico. Los líquidos deben desecharse y sustituirse de forma segura.



No utilice el TX150/TXF200 con líquidos de transferencia térmica inflamables.



No utilice el TX150/TXF200 para calentar ningún material de muestra que pudiera causar un incendio o conllevar otro tipo de peligro.



No utilice el equipo en áreas con presencia de compuestos químicos agresivos o explosivos.



Si se derrama algún líquido potencialmente peligroso dentro del equipo o sobre él, desconéctelo de la fuente de alimentación y póngalo en manos de personal competente para que lo revise.



Es responsabilidad del usuario efectuar una descontaminación adecuada si se vierten materiales peligrosos sobre el equipo.



Si aparece un mensaje de advertencia, no toque el líquido ni las superficies del baño, ya que pueden estar muy calientes.



Rellene con cuidado; si el calentador está caliente, puede salpicar gotas de agua muy calientes y desprender vapor hirviendo.



No toque las superficies que se calientan durante el funcionamiento a alta temperatura.

4.0 Instrucciones de uso

4.1 Instrucciones de desembalaje

El equipo incluye de serie:

- Termostato de inmersión (TX150 o TXF200)
- Placas de salida de bomba
- Cable de alimentación con enchufe
- Manual del operador
- Guía de inicio rápido

Los accesorios de baño ST incluyen:

- Baño de acero inoxidable
- Placa de unión
- Bandeja de circulación (sólo baños ST18, ST26 y ST38)

Los accesorios de baño P incluyen:

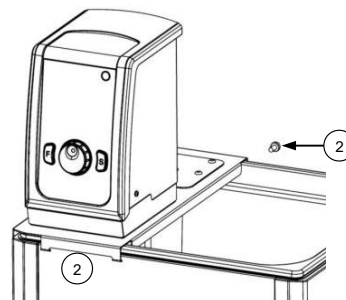
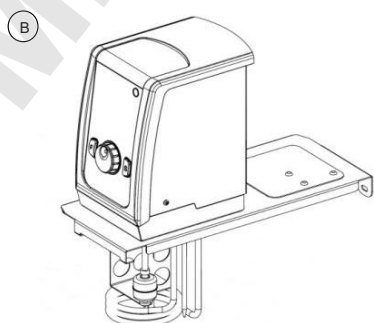
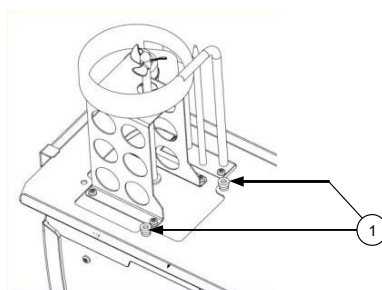
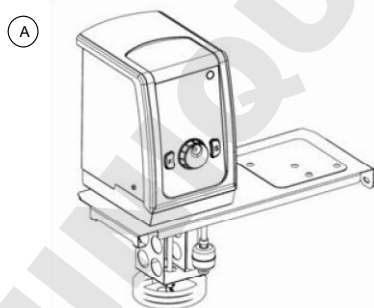
- Baño de plástico
- Placa de unión

Retire los materiales de embalaje con cuidado y guárdelos para un futuro envío o almacenamiento del equipo.

4.2 Instalación del controlador en baños ST

Para más comodidad, el TX150/TXF200 puede instalarse en los baños de acero inoxidable ST5, ST12, ST18, ST26 y ST38 orientado hacia el baño ST (A) u orientado hacia el exterior (B).

1. Instale el TX150/TXF200 en la placa de unión a través del orificio y alinéelo con las roscas de posicionamiento. Asegúrelo con las tuercas de retención (1). Apriete únicamente a mano.
2. Enganche el conjunto en las ranuras del baño ST y utilice la fijación suministrada para asegurarlo a la parte trasera del baño (2).



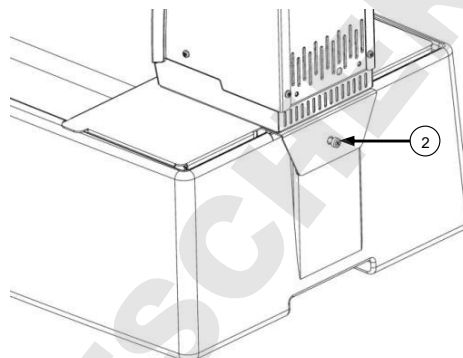
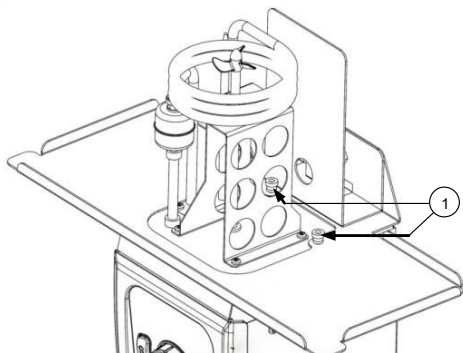
ES

Instale la bandeja de circulación en la base del depósito con la hendidura grande de la bandeja bajo la unidad de control (sólo ST18, ST26 y ST38).

4.3 Instalación del controlador en baños P

El TX150/TXF200 puede instalarse en los baños de plástico P5, P12 y P18:

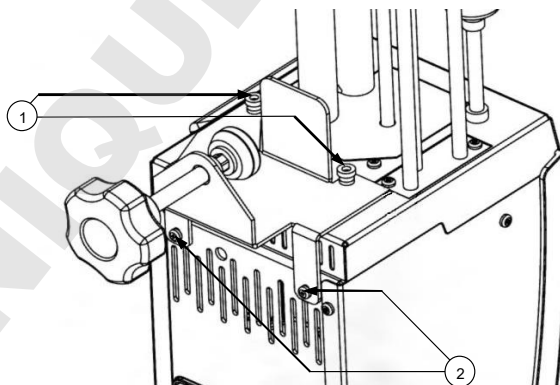
1. Instale el TX150/TXF200 en la placa de unión a través del orificio y alinéelo con las roscas de posicionamiento. Asegúrelo con las tuercas de retención (1). Apriete únicamente a mano.
2. Incorpore el conjunto al baño P y utilice la fijación suministrada para asegurarlo a la parte trasera del baño (2).



4.4 Instalación del controlador en baños personalizados

En el TX150/TXF200 puede instalarse una abrazadera para que resulte posible acoplarlo a un baño o recipiente que no sea de Grant y que tenga una pared de hasta 30 mm de grosor. Para instalar la abrazadera en el TX150/TXF200:

1. Coloque la abrazadera sobre las roscas de posicionamiento de la base del TX150/TXF200. Asegúrela con las tuercas de retención. Apriete únicamente a mano.
2. Incorpore fijaciones traseras en la abrazadera para asegurar la parte trasera del TX150/TXF200.



Tenga cuidado de no apretar en exceso la abrazadera para evitar dañar ésta o el recipiente.



El contenedor de líquido en el que se monte la unidad debe ser estable y tener la robustez y la resistencia mecánica, química y térmica necesarias.

No lave la abrazadera en el lavavajillas ni la limpie con un descalcificador. No sumerja el eje roscado de la abrazadera. Seque siempre el eje roscado y la abrazadera después de limpiarlos. Las roscas se pueden lubricar con una pequeña cantidad de aceite ligero para máquinas.

4.5 Retirada del controlador de la placa de unión

Deje que se enfríe el líquido de trabajo antes de retirar el TX150/TXF200 de la placa de unión. Retire cuidadosamente el TX150/TXF200 y la placa de unión junto con el baño o recipiente. Tenga mucho cuidado, ya que la bomba contendrá una pequeña cantidad del líquido de trabajo que se saldrá al manipular la unidad. Afloje las tuercas de retención y retire la placa de unión. Fije las tuercas de retención en las roscas de posicionamiento para un almacenamiento seguro.

4.6 Líquidos recomendados

En la tabla siguiente figuran los líquidos recomendados en función del margen de temperatura. Asegúrese siempre de que el líquido utilizado sea seguro y se adecue a la temperatura de trabajo. Si utiliza líquidos de transferencia térmica no recomendados, el usuario es responsable de realizar una evaluación para garantizar la compatibilidad del líquido con el TX150/TXF200 y el recipiente.



Para garantizar la protección, debe ajustar el corte por sobretemperatura correctamente en función del líquido de transferencia térmica seleccionado (consulte la tabla).



Cuando se utilizan líquidos de transferencia térmica no recomendados, es importante ajustar el corte por sobretemperatura en un valor que no supere los 25 °C por debajo del punto de inflamación del líquido. Si tiene alguna duda, póngase en contacto con el equipo de servicio técnico de Grant.



El uso de extracción de humos cuando se utilizan fluidos de silicona en las temperaturas elevadas

Margen de temperatura	Líquido recomendado	Ajuste de corte	Comentarios
Desde -50 °C hasta 50 °C	Aceite de silicona, baja viscosidad	60 °C	El líquido Bayer Silicone M3 es un líquido adecuado.
Desde -30 °C hasta 70 °C	50% agua, 50% anticongelante (etilenglicol inhibido)	80 °C	ADVERTENCIA: El etilenglicol es tóxico; siga las instrucciones del fabricante. Para eliminar el líquido de forma segura, consulte las normativas locales.
Desde 0 °C hasta 30 °C	80% agua, 20% anticongelante (etilenglicol inhibido)	40 °C	Utilice una tapa para reducir la dilución de la mezcla provocada por la condensación del vapor de agua procedente del aire y para mantener la velocidad de enfriamiento.
Desde 5 °C hasta 99,9 °C	Agua*	110 °C	Puede utilizarse agua, pero debe tenerse cuidado por encima de 60 °C, pues el vapor caliente puede ser peligroso. Utilice una tapa o bolas de polipropileno por encima de 60 °C para garantizar un buen rendimiento y reducir la evaporación. La ebullición localizada afectará al rendimiento térmico a temperaturas próximas a los 99 °C. *Las unidades no deben utilizarse para hervir agua.
Desde 70 °C hasta 150 °C	Líquido de silicona Viscosidad ~20 cs Punto de inflamación ≥230 °C Punto de combustión ≥280 °C	160 °C	El líquido de silicona Dow Corning DC200/20 es un líquido adecuado; siga las instrucciones del fabricante. Para eliminar el líquido de forma segura, consulte las normativas locales.
Desde 70 °C hasta 200 °C	Líquido de silicona Viscosidad 50 centistokes Punto de inflamación ≥285 °C Punto de combustión ≥340 °C	210 °C	El líquido de silicona Baysilone M 50 EL es un líquido adecuado; siga las instrucciones del fabricante. Para eliminar el líquido de forma segura, consulte las normativas locales.

Margen de temperatura	Líquido recomendado	Ajuste de corte	Comentarios
Desde -50°C hasta 150°C o 200°C	Ninguno	Según sea necesario para la seguridad	Anular: el usuario debe seleccionar un líquido seguro adecuado y llevar a cabo su propia evaluación de riesgos antes de utilizarlo. Tenga en cuenta que el uso de este ajuste puede afectar al control, pues se desconocen las características del líquido.

4.7 Instalación



Ponga el baño maría sobre una superficie nivelada no combustible. Asegúrese de que el enchufe y el interruptor situado en la parte trasera de la unidad sean fácilmente accesibles.



Si el equipo se ha transportado o almacenado en condiciones de frío o humedad, puede que se haya formado condensación en el interior. Si existe esta posibilidad, déjelo reposar (al menos 2 horas a temperatura ambiente) para que la condensación se evapore antes de utilizarlo.



No bloquee ni obstruya las ranuras de ventilación.

4.8 Alimentación eléctrica



Compruebe que la tensión de alimentación indicada en la etiqueta del número de serie y el tipo de enchufe son correctos para la toma de alimentación, que debe poseer conexión a tierra (masa).

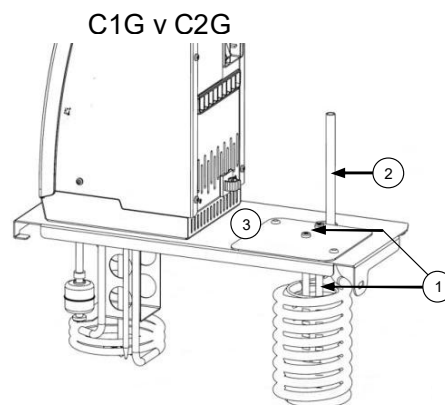
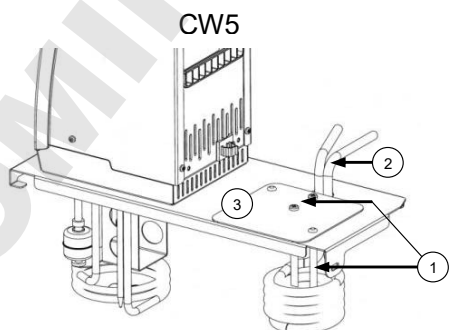


El TX150/TXF200 sólo debe conectarse a la red con el cable de alimentación suministrado u otro de idéntica potencia (consulte el apartado 9.4).

4.9 Uso del refrigerador auxiliar (C1G, C2G, CW5)

El refrigerador auxiliar es necesario para trabajar a temperaturas inferiores a la temperatura ambiente. Los enfriadores de inmersión refrigerados (C1G y C2G) pueden utilizarse para trabajar a temperaturas de hasta -15 °C. Puede utilizarse una bobina de intercambiador térmico de agua (CW5) para trabajar a temperatura ambiente y en torno a ella. Las bobinas pueden instalarse de la siguiente manera:

1. Fije la varilla de posicionamiento de la bobina con forma de u en la placa de cubierta con las dos fijaciones suministradas (1).
2. Instale la bobina de refrigeración en la placa de unión a través del orificio y alinee los tubos de salida con la muesca de corte (2).
3. Instale la placa de cubierta (3) en la placa de unión y acóplela con las fijaciones suministradas. La varilla de posicionamiento de la bobina debe encajar a presión en el interior de la bobina y sujetarla rígidamente. Asegúrese de que la bobina se sujeta de forma segura y fiable antes del funcionamiento.



5.0 Procedimientos de funcionamiento

5.1 Funcionamiento

5.1.1 Nivel de líquido

Los niveles máximo y mínimo de líquido de los accesorios de baño Grant se definen en el apartado 6.4. El nivel de líquido debe mantenerse siempre entre estos niveles. Estos niveles son aplicables cuando no hay ningún recipiente dentro del baño y cuando éste está lleno al máximo de su capacidad. Si utiliza líquidos que pueden evaporarse, debe comprobar y rellenar el líquido periódicamente. El interruptor de flotador de nivel bajo dará la alarma si el líquido desciende por debajo del nivel mínimo necesario; la unidad apagará el calentador y detendrá el control de temperatura.

5.1.2 Funcionamiento por encima de 60 °C

Por encima de 60 °C es preciso utilizar una tapa o bolas de polipropileno para mantener el control de temperatura y garantizar que el líquido del baño alcance la temperatura ajustada. Estas medidas ahorran energía porque evitan una evaporación excesiva y reducen la frecuencia con la que es necesario rellenar el baño. Como medida de precaución, el TX150/TF200 puede indicar 'Overheating- power reduced' (Sobrecalentamiento - potencia reducida) si se calienta agua a la temperatura de ebullición o en torno a ésta durante periodos de tiempo prolongados o se calientan grandes cantidades de líquido con grandes pérdidas térmicas sin utilizar ninguna tapa o bola de polipropileno. En este caso, la potencia calorífica se reduce un 50%. Consulte el apartado 11 para obtener una orientación adicional.

Assicurarsi che le prese d'aria posteriori non si ostriscano e ridurre al minimo l'aspirazione di vapore o fumi durante l'uso in prossimità di acqua in ebollizione o di altri liquidi in evaporazione."



Tenga cuidado al levantar o retirar la tapa, ya que puede estar caliente. El vapor a presión y los vapores calientes pueden quemar.

5.1.3 Funcionamiento a bajas temperaturas

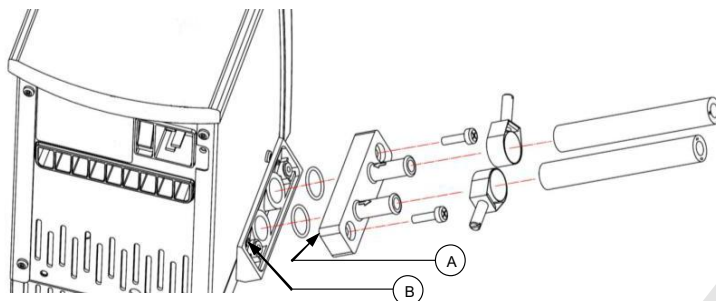
El refrigerador auxiliar es necesario para un funcionamiento controlado a temperatura ambiente o por debajo de ésta. La temperatura mínima de trabajo sin refrigerador auxiliar depende del tamaño del baño. Los baños pequeños, P5 y ST5, tienen una temperatura mínima de trabajo de aproximadamente 10 °C por encima de la temperatura ambiente sin tapa, y de 15 °C por encima de la temperatura ambiente con tapa. Pueden utilizarse otros tamaños de baño a una temperatura de 5 °C por encima de la temperatura ambiente.

5.1.4 Uso de la bomba

El TX150/TF200 permite bombear el líquido por un sistema externo cerrado (no abierto a la atmósfera). Sólo puede utilizarse para la circulación a través de un depósito abierto externo si existe un retorno de alimentación por gravedad. Por lo tanto, debe realizarse una evaluación de cualquier sistema abierto para garantizar que los niveles de líquido sean estables durante el funcionamiento y que no exista ninguna posibilidad de que el depósito se quede sin líquido o rebose. La bomba viene instalada de serie con una placa ciega. Instale una placa de conexión de bomba tal y como se indica a continuación. Nota: Las placas ciegas/de conexión tienen un orificio de posicionamiento (consulte A más abajo) para facilitar la correcta alineación en la moldura de la bomba.

ES

Es importante verificar que el orificio esté alineado con el pasador de posicionamiento correspondiente (consulte B más abajo) en la moldura de la bomba. De lo contrario, la conexión tendrá fugas. Conserve la placa ciega para volver a instalarla cuando la bomba ya no sea necesaria.



Utilice siempre conectores y mangueras de bomba adecuados para la temperatura de funcionamiento y el líquido utilizados. Compruebe que las conexiones de los tubos sean seguras.

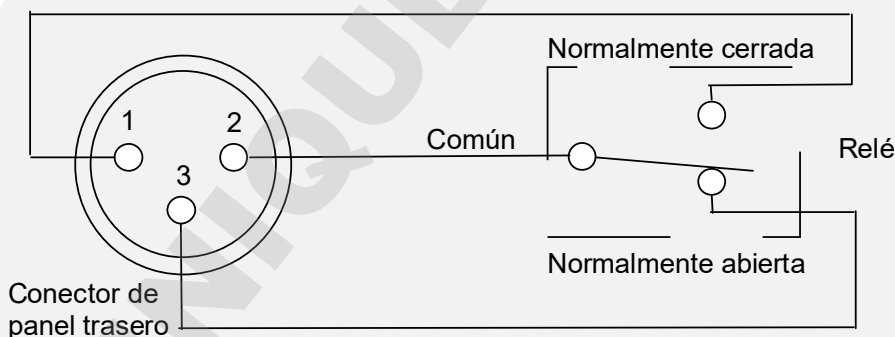


No desconecte nunca ningún tubo o manguera mientras contengan líquidos muy calientes o muy fríos o mientras el TX150/TXF200 esté bombeando.

Bompear líquido de transferencia térmica por un sistema externo conlleva peligros que se encuentran fuera del control de Grant Instruments. Es fundamental que el usuario lleve a cabo una evaluación de riesgos de toda la instalación del equipo para asegurarse de que se hayan utilizado materiales clasificados correctamente durante todo el proceso y que el sistema pueda utilizarse de forma segura.

5.1.5 Uso de la salida del relé de conmutación

El relé interno dispone de contactos de conmutación que sirven para controlar el equipo externo. Las conexiones del conector circular de 3 clavijas del panel trasero son:



Para conectar el cable, utilice un conector de acoplamiento XLR, como el conector NC3FXX de Neutrik AG.

Los contactos de conmutación tienen una capacidad máxima de 24 V CA o CC a 2 A.



El relé tiene una capacidad de 24 V CA o CC a 2 A; para evitar lesiones personales o averías en el equipo, no conecte tensiones más altas ni intente conmutar corrientes de mayor intensidad.



Las tensiones bajas (p. ej., 22 V CA) pueden resultar peligrosas en zonas en las pueda humedecerse la piel. Cuando prepare el cable para conectar el equipo al conector del relé del TX150/TXF200, asegúrese de que el sistema de aislamiento empleado proporciona una protección adecuada frente a las salidas de tensión del equipo que puede conmutar el relé.



Utilice el cable con el tamaño y el tipo de aislamiento correctos para la tensión de la red. Si tiene alguna duda, póngase en contacto con el equipo de servicio técnico de Grant.

5.1.6 Vaciado de los baños ST

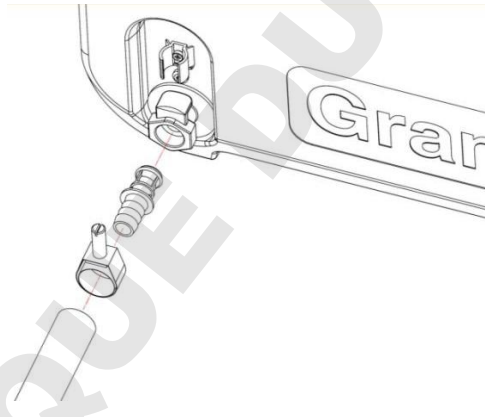
Los baños ST12, ST18, ST26 y ST38 deben vaciarse a un nivel seguro antes de moverlos. En estos baños se incluye un orificio de desagüe para poder vaciarlos adecuadamente.



Deje que la temperatura del líquido descienda a un nivel seguro antes de vaciar o mover el baño.

PRECAUCIÓN: Si el baño se vacía a temperaturas superiores a 50 °C, el mecanismo de desagüe resultará dañado y tendrá que sustituirse. Tome medidas de precaución convenientes para evitar derrames accidentales.

Para vaciar el baño, introduzca en el orificio el accesorio de desagüe suministrado tal y como se indica a continuación. El líquido del baño comenzará a salir en cuanto el accesorio esté acoplado por completo. Si es preciso, puede agregarse un segmento de manguera al extremo del accesorio de desagüe.



5.1.7 Instalación y encendido

Fije bien el TX150/TXF200 en el baño o recipiente requerido. Añada líquido de trabajo adecuado al baño hasta el nivel mínimo de llenado recomendado para que el interruptor de nivel de flotador esté completamente levantado.

Conecte el TX150/TXF200 a una fuente de alimentación eléctrica con toma de tierra y cuya tensión y frecuencia estén dentro del margen especificado en la placa de número de serie.

Encienda el TX150/TXF200 con el interruptor de alimentación situado en la parte trasera de la unidad. El motor arrancará de inmediato y el zumbador sonará mientras la unidad se pone en marcha. Durante la puesta en marcha, en pantalla se muestra la versión de software antes de que aparezca la pantalla inicial. El TX150/TXF200 está listo para utilizarse.

Para desconectar el equipo del suministro eléctrico, extraiga el enchufe de la toma de alimentación.

5.1.8 Pérdida de potencia

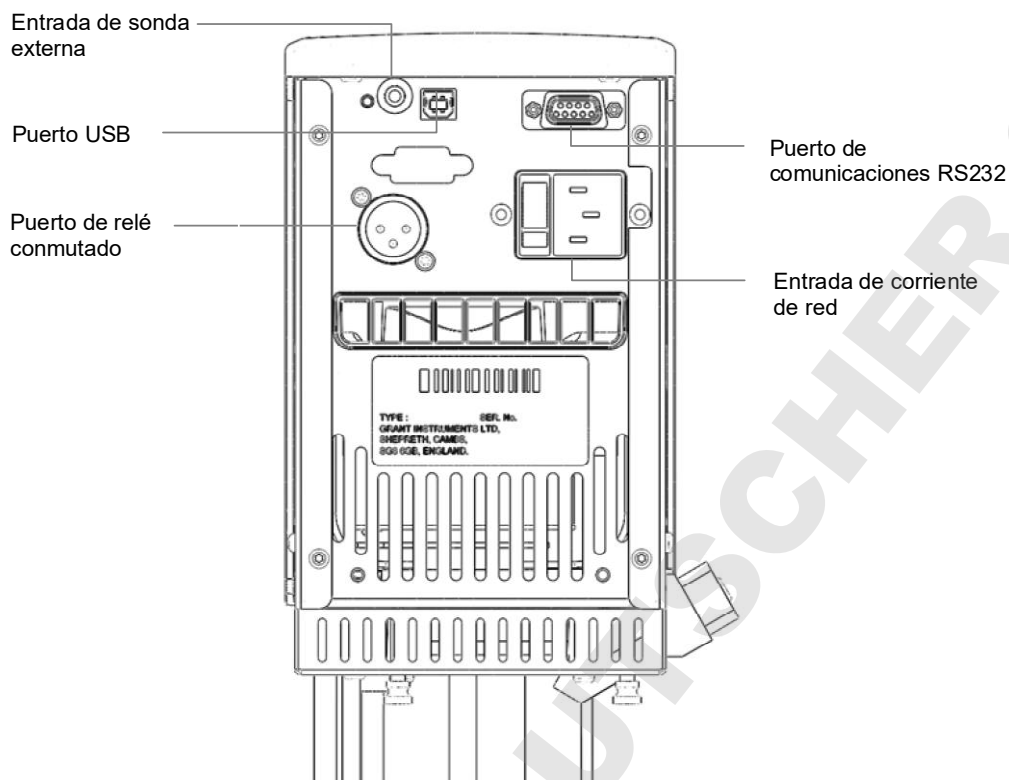
Si se pierde potencia, ya sea debido a que se ha desconectado la unidad o a un fallo de corriente, cuando se restablece la corriente la unidad volverá a la pantalla inicial (consulte 5.2.7) con la última temperatura y velocidad de bomba válidas ajustadas. Tenga en cuenta que, si se estaba ejecutando un programa (consulte 5.2.13), la temperatura ajustada será la que se ajustó antes de iniciar el programa. Si se estaba utilizando un programa predefinido (consulte 5.2.11), la temperatura y velocidad de bomba ajustadas serán correctas, pero no se visualizará el programa predefinido. El temporizador de cuenta atrás (consulte 5.2.12) se detendrá.

5.2 Uso de TX150 y TXF200

5.2.1 Mandos del panel frontal



5.2.2 Conexiones del panel trasero



5.2.3 Puertos de comunicaciones

El TX150 y el TXF200 incorporan un puerto de comunicaciones RS232 y un puerto de datos USB para establecer la comunicación con un ordenador que tenga instalado el software Labwise™ de Grant. El software Labwise™ ofrece la posibilidad de configurar, controlar y monitorizar a distancia tanto programas como datos de temperatura del programa de registro.

Utilice únicamente el cable RS232 suministrado por Grant Instruments.

El cable USB debe ser de tipo A o B.

5.2.4 Puerto de relé conmutado

El relé interno dispone de contactos de conmutación que sirven para controlar el equipo externo. Consulte el apartado 5.1.5 para obtener información detallada de los contactos del relé y el tipo de conector.

5.2.5 Entrada de sonda externa

Para conectar una sonda de temperatura PT1000 externa de Grant Instruments

5.2.6 Ajuste del termostato de sobretemperatura

En la parte superior derecha de la unidad se encuentra un mando de corte por sobretemperatura con una escala de temperatura. La sonda de sobretemperatura supervisa de manera independiente la temperatura del baño y apaga el calentador si ésta supera el umbral de corte.

Ajuste aproximado del termostato de sobretemperatura

Gire el mando de corte por temperatura al ajuste deseado de acuerdo con la escala marcada. Éste debe ser superior a la temperatura ajustada para evitar activar el corte antes de haber alcanzado dicha temperatura.

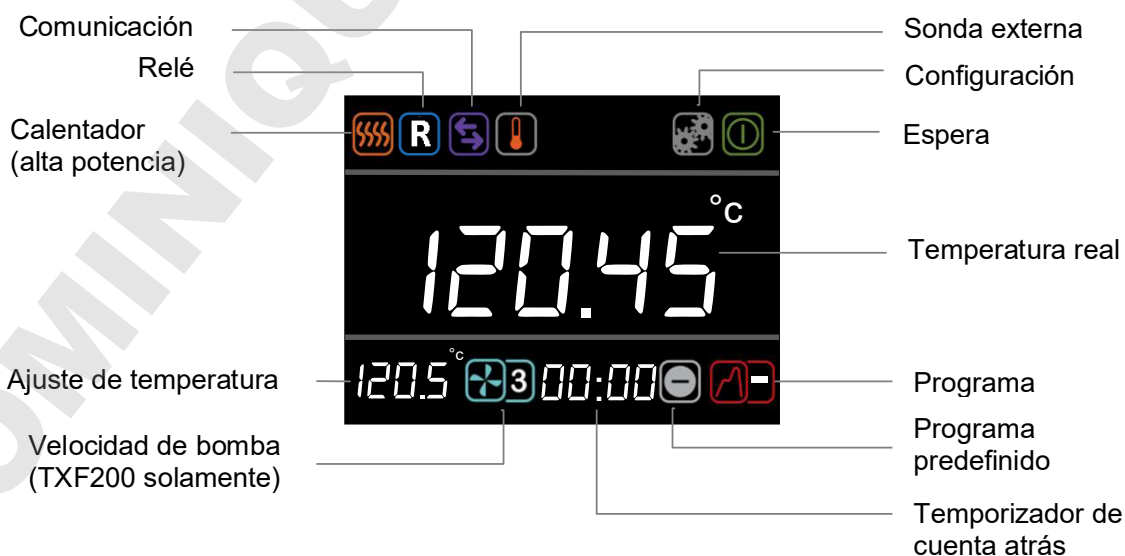
Si se activa la alarma, puede silenciarse pulsando una vez el botón **F** o **S**. Para continuar utilizando el TX150/TXF200, deje que el líquido del baño se enfríe al menos 5 °C de forma natural o sustituyendo el líquido, apague la unidad, espere 10 segundos y vuelva a encenderlo para que desaparezca la alarma. Para evitar interrupciones debidas a interferencias, el punto de desconexión por sobretemperatura se tiene que ajustar en un mínimo de 5 °C por encima de la temperatura de control deseada.

Ajuste alternativo del termostato de sobretemperatura

Gire el mando de corte por temperatura al máximo (o al menos hasta un valor por encima del nivel requerido) y configure la temperatura ajustada en el nivel de corte requerido. Deje que el baño alcance la temperatura ajustada y se estabilice durante al menos 5 minutos. Gire el mando de corte lentamente a la izquierda hasta que aparezca un fallo por sobretemperatura en la pantalla y la alarma suene continuamente. De este modo, el punto de desconexión por sobretemperatura se establece en la temperatura ajustada. La alarma acústica puede cancelarse pulsando una vez el botón **F** o **S**.

Para continuar utilizando el TX150/TXF200, deje que el líquido del baño se enfríe al menos 5 °C de forma natural o sustituyendo el líquido, apague la unidad, espere 10 segundos y vuelva a encenderlo para que desaparezca la alarma. Para evitar interrupciones debidas a interferencias, el punto de desconexión por sobretemperatura se tiene que ajustar en un mínimo de 5 °C por encima de la temperatura de control deseada.

5.2.7 Explicación de los iconos de la pantalla inicial



5.2.8 Descripción de la interfaz de usuario y los mandos

El TX150/TXF200 dispone de una pantalla gráfica en color, un mando principal y dos botones (**F** y **S**). En la pantalla inicial se pueden configurar todas las funciones (ajuste de temperatura, velocidad de bomba, temporizador de cuenta atrás, programas predefinidos, configuración de programas y modo de espera). Para desplazarse por la pantalla inicial es preciso girar el mando principal; el cursor de color blanco se moverá para resaltar los iconos de las funciones. Si pulsa el botón **S** mientras el icono está resaltado, el cursor se volverá de color rojo y el icono se activará para que resulte posible realizar cambios o, en el caso del icono de configuración, mostrar otros menús.

El botón **F** sirve principalmente para salir de las funciones y los menús. Cuando se pulsa el botón **F** en la pantalla inicial mientras el cursor es de color blanco, aparece el menú de configuración.

5.2.9 Ajuste de la temperatura de control



1. Gire el mando hasta que el icono de **ajuste de temperatura** quede resaltado y pulse el botón **S**.
2. Gire el mando para ajustar la temperatura deseada.
*Si no pulsa ninguna tecla durante 10 segundos o pulsa el botón **F**, el icono de ajuste de temperatura se desactivará y mantendrá el valor original.*
3. Pulse **S** para guardar el valor deseado.

Si la temperatura seleccionada es más alta que la temperatura del líquido actual, el calentador se encenderá y aparecerá el icono del calentador.

El margen de ajuste de temperatura se limitará al margen de funcionamiento del líquido seleccionado.

Consulte el apartado 4.6 para encontrar las temperaturas admisibles para cada líquido.

5.2.10 Ajuste de una velocidad de bomba (TXF200 solamente)



1. Gire el mando hasta que el icono de **velocidad de bomba** quede resaltado y pulse el botón **S**.
2. Gire el mando para definir la velocidad de bomba que desee en un margen de 1 a 5 (1= velocidad mínima, 5 = velocidad máxima).
*Si no pulsa ninguna tecla durante 10 segundos o pulsa el botón **F**, el icono de velocidad de bomba se desactivará y mantendrá el valor original.*
3. Pulse **S** para guardar la velocidad de la bomba.

La bomba funcionará a la velocidad establecida. Para un ajuste de temperaturas superiores a 150 °C, la bomba automáticamente funcionará a una velocidad mínima de 3.

ES

5.2.11 Utilización de un baño predefinido

Cada TX150/TXF200 contiene tres programas predefinidos que pueden configurarse en diferentes ajustes de temperatura. En el caso del TXF200 también se puede configurar la velocidad de la bomba. Esto permite utilizar el baño cómodamente a temperaturas y velocidades de bomba de uso frecuente. Consulte el apartado 5.3.1 para obtener información sobre la configuración predefinida.



1. Gire el mando hasta que el icono de **programa predefinido** quede resaltado y pulse el botón **S**.
2. Gire el mando para seleccionar el programa predefinido 1, 2 o 3; a continuación, pulse **S** para ejecutar el programa.

El programa predefinido se iniciará automáticamente en cuanto pulse S.

*Si no pulsa ninguna tecla durante 10 segundos o pulsa el botón **F**, el icono de programa predefinido se desactivará y mantendrá el valor original.*

Si no se permite la temperatura ajustada del programa predefinido para el líquido seleccionado (por ejemplo, un programa predefinido de 150°C al utilizar agua), el icono de programa predefinido volverá a “-“ y no se utilizará dicho programa.

Consulte el apartado 4.6 para encontrar las temperaturas admisibles para cada líquido.

5.2.12 Utilización de un temporizador de cuenta atrás

El temporizador de cuenta atrás del TX150/TXF200 puede ajustarse en un margen comprendido entre 1 minuto y 99 horas. Cuando termine la cuenta atrás del temporizador sonará un zumbador. Consulte el apartado 5.3.2 para obtener información sobre la configuración de las acciones al finalizar el temporizador.



1. Gire el mando hasta que el icono de **temporizador de cuenta atrás** quede resaltado y pulse el botón **S**.

El temporizador de cuenta atrás mostrará el tiempo definido de la última cuenta atrás.

*Si no pulsa ninguna tecla durante 10 segundos o pulsa el botón **F**, el ajuste del temporizador de cuenta atrás se desactivará y se mantendrá el valor original.*

2. Gire el mando para definir el tiempo de cuenta atrás que desee y pulse **S** para guardarlo.

*En el temporizador comenzará la cuenta atrás a partir del tiempo definido. Al final de la cuenta atrás sonará un zumbador. Para cancelarlo, pulse **F** o **S***

Para cancelar un temporizador de cuenta atrás activo:

1. Gire el mando hasta que el icono de **temporizador de cuenta atrás** quede resaltado y pulse el botón **S**.
2. Pulse el botón **F** para cancelar el temporizador.
El temporizador se detiene.

5.2.13 Ejecución de un programa

El TX150/TXF200 puede utilizar perfiles de temperatura automáticos, denominados programas. En el TX150 se puede guardar 1 programa con 30 segmentos de temperatura/tiempo individuales. El TX150 sólo puede configurarse y modificarse con el software Labwise™ de Grant. En el TXF200 se pueden guardar 10 programas con 100 segmentos de temperatura/tiempo individuales cada uno. Los programas del TXF200 se pueden configurar directamente en la unidad o mediante el software Labwise™ de Grant. Consulte el apartado 5.3 para obtener información sobre la configuración de programas en la unidad (TXF200 solamente). Durante la ejecución de un programa se limita el acceso a las funciones de espera y programa mediante iconos.



1. Gire el mando hasta que el icono de **programa** quede resaltado y pulse el botón **S**.

*Si no pulsa ninguna tecla durante 10 segundos o pulsa el botón **F**, el icono de programa se desactivará y mantendrá el valor original.*

2. Gire el mando hasta que aparezca el programa que desee (TXF200 = 1 a 10). En el TX150/TXF200 aparece “-” de forma predeterminada, lo que indica que no se ha seleccionado ningún programa. Pulse **S** para seleccionar el programa.

El programa seleccionado se iniciará. En pantalla se mostrará la temperatura deseada del primer segmento y el temporizador de cuenta atrás indicará la duración restante del programa.

El TXF200 presentará la velocidad de bomba definida para el primer segmento. Durante la ejecución de un programa sólo es posible seleccionar el icono de espera.

*Al final del programa se escuchará el zumbador, pero puede cancelarse pulsando **F** o **S**.*

Si el programa no es válido, por ejemplo, no tiene configurado ningún segmento o ningún segmento del programa contiene una temperatura deseada que no sea válida para el líquido seleccionado, por ejemplo, intentar alcanzar 150°C utilizando agua, el programa no se ejecutará y el icono de programa volverá a “-“. Edite el programa o seleccione un líquido adecuado.

Consulte el apartado 4.6 para encontrar las temperaturas admisibles para cada líquido.

Para detener un programa

1. Gire el mando hasta que el icono de **programa** quede resaltado y pulse el botón **S**.

*Si no pulsa ninguna tecla durante 10 segundos o pulsa el botón **F**, el icono de programa se desactivará y mantendrá el valor original, y el programa seguirá funcionando.*

2. Gire el mando hasta que aparezca “-” y pulse **S** para realizar la selección.

El programa se detendrá. En pantalla se mantendrá el valor de temperatura alcanzado cuando se detuvo el programa, el temporizador de cuenta atrás se detendrá en el tiempo restante y la velocidad de bomba indicada será la última velocidad definida.

5.2.14 Activación del modo de espera

En el modo de espera, el TX150/TXF200 sigue estando encendido aunque las funciones principales (calentamiento, bomba, temporizador de cuenta atrás y programas) estén desactivadas. Como el acceso al menú de configuración está limitado en el modo de espera, es posible configurar funciones como las alarmas y los programas mientras la unidad no está operativa.

Nota: Cuando se entra en el modo de espera, la bomba sigue funcionando durante 5 minutos para garantizar la continuidad de la refrigeración interna.

El temporizador de cuenta atrás definido o el programa en ejecución antes de la activación del modo de espera terminarán.



1. Gire el mando hasta que el icono de **espera** quede resaltado y pulse el botón **S**.

*Los valores de **temperatura** y **temporizador de cuenta atrás** desaparecerán.*



2. Para reanudar el uso, gire el mando hasta que el icono de **espera** quede resaltado y pulse el botón **S**.

Se regresará a la pantalla inicial y el TX150/TXF200 volverá a funcionar con los últimos ajustes de temperatura y velocidad de bomba.

5.2.15 Acceso al menú de configuración

El menú de configuración proporciona acceso a las siguientes pantallas: selección y definición de programas predefinidos, selección y definición de programas, tipo de líquido, sonda (interna o externa), alarmas, nivel del zumbador, estado del relé, idioma y mostrar redondeo.

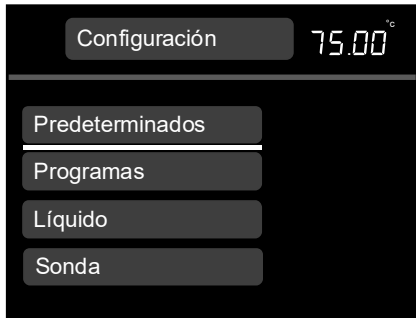
En el apartado 5.3 se proporciona información detallada sobre la visualización, la modificación y el almacenamiento de la configuración.



1. Gire el mando hasta que el icono de **configuración** quede resaltado y pulse el botón **S**.

Aparecerá el menú de configuración con los programas predefinidos resaltados al principio de la lista.

Acceso directo al menú de configuración Cuando se pulsa el botón **F** en la pantalla inicial mientras el cursor es de color blanco, aparece



- automáticamente el menú de configuración.
2. Gire el mando para avanzar y retroceder por la lista hasta que la configuración que desee quede resaltada; pulse el botón **S** para realizar la selección. Aparecerá el menú de configuración deseado.

*Si pulsa **F** regresará a la pantalla inicial sin realizar cambios.*

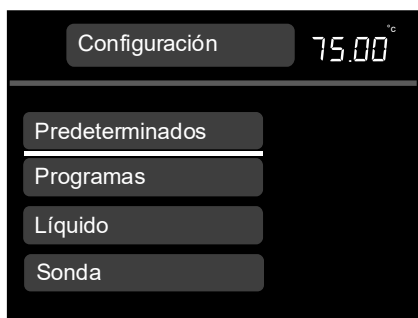
5.3 Visualización, modificación y almacenamiento de la configuración

5.3.1 Configuración de un programa predefinido



1. Gire el mando hasta que el icono de **configuración** quede resaltado y pulse el botón **S**.

*Si pulsa **F** regresará a la pantalla inicial sin realizar cambios.*

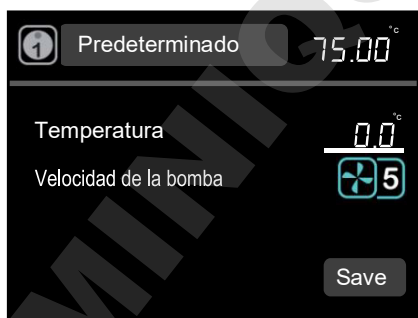


2. Gire el mando para avanzar y retroceder por la lista hasta que **programa predefinido** quede resaltado; pulse el botón **S** para realizar la selección.

*Si pulsa **F** regresará a la pantalla de configuración sin realizar cambios.*

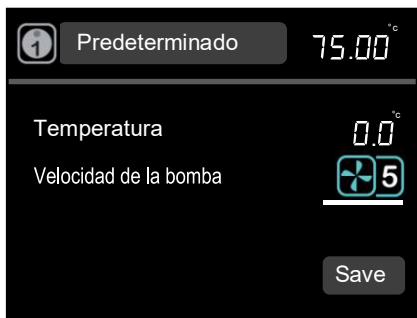


3. Gire el mando para seleccionar el icono del programa predefinido 1, 2 o 3; a continuación, pulse **S** para realizar la selección.



4. Cuando **Temperatura** esté resaltado, pulse el botón **S**. Gire el mando para definir la temperatura. Pulse **S** para realizar el ajuste.

*Si pulsa **F**, la temperatura resaltada recuperará el valor predefinido original.*



5. Gire el mando para resaltar **Velocidad de bomba** y pulse **S** para realizar la selección. Gire el mando para mostrar la velocidad de la bomba (1 a 5) (TXF200 solamente). Pulse **S** para realizar el ajuste.

*Si pulsa **F**, la velocidad resaltada recuperará el valor predeterminado original.*

Para guardar la configuración de temperatura y velocidad de bomba, gire el mando hasta que **save** (guardar) esté resaltado y pulse **S**.

Regresará a la pantalla del menú de configuración.

Para configurar los programas predeterminados 2 y 3, repita el procedimiento.

6. Pulse **F** para volver a la pantalla inicial.

5.3.2 Creación de un programa (TXF200 solamente)



1. Gire el mando hasta que el icono de **configuración** quede resaltado y pulse el botón **S**.

*Si pulsa **F** regresará a la pantalla inicial sin realizar cambios.*

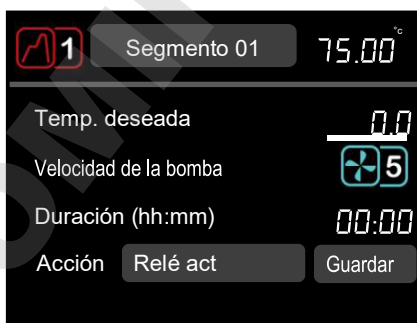


2. Gire el mando para avanzar y retroceder por la lista hasta que **Programas** quede resaltado; a continuación, pulse **S** para realizar la selección.

Aparecerá el icono de programa.

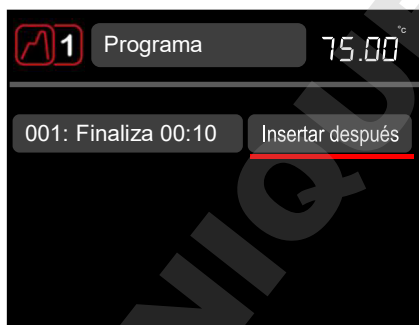
3. Gire el mando para seleccionar el programa que va a crear. Pulse **S** para realizar la selección.

Aparecerá la pantalla Segment 1 (Segmento 1).



4. Cuando **Temperatura deseada** esté resaltado, pulse **S** para realizar la selección.

5. Gire el mando para definir la temperatura deseada. Pulse **S** para realizar el ajuste.



6. Gire el mando para resaltar **Velocidad de bomba** y pulse **S** para realizar la selección.

7. Gire el mando hasta la velocidad de la bomba que desee (1 a 5). Pulse **S** para realizar el ajuste.

8. Gire el mando para resaltar **Duración** y pulse **S** para realizar la selección.

9. Gire el mando para definir la duración del primer segmento (**hh:mm**). La duración mínima del tramo es de 1 min, máximo 99 horas 59 min. Pulse **S** para realizar el ajuste.

10. Gire el mando para resaltar **Acción**, pulse **S** para realizar la selección.

11. Gire el mando para alternar entre **Relé act/Relé desact**. Pulse **S** para realizar la selección.

12. Resalte **Guardar** para guardar el segmento 1.

Aparecerá la pantalla de programa.

13. Para introducir un segmento nuevo, resalte el segmento 1 y pulse **S**. Gire el mando para resaltar **Insertar despu** y pulse **S** para realizar la selección.

Aparecerá la pantalla Segment 2 (Segmento 2). Repita los pasos del 4 al 12 para crear un segmento nuevo.

Para permanecer un periodo a una temperatura específica, ajuste la temperatura en el mismo valor que el segmento anterior y después programe el tiempo de dicho periodo.

14. Cuando termine de programar el tiempo, pulse **F** dos veces para regresar a la pantalla inicial.

5.3.3 Modificación de un programa (TXF200 solamente)



1. Gire el mando hasta que el icono de **configuración** quede resaltado y pulse el botón **S**.
*Si pulsa **F** regresará a la pantalla inicial sin realizar cambios.*
2. Gire el mando para avanzar y retroceder por la lista hasta que **Programas** quede resaltado; a continuación, pulse **S** para realizar la selección.
Aparecerá el icono de programa.
3. Gire el mando para seleccionar el programa que va a modificar (1 a 10). Pulse **S** para realizar la selección.
Aparecerá la pantalla de programa.
4. Resalte el segmento que quiera modificar y pulse **S**.
5. Gire el mando para que aparezca **Modificar** y pulse **S** para realizar la selección.
Se mostrará la pantalla de segmento, que puede editarse conforme a lo descrito en los pasos del 4 al 12 del apartado "creación de un programa" anterior.
6. Cuando termine de realizar las modificaciones, pulse **F** dos veces para regresar a la pantalla inicial.
7. Para eliminar un segmento, resáltelo y pulse **S**.
8. Gire el mando para que aparezca **eliminar** y pulse **S** para realizar la selección.
El segmento se eliminará.
9. Pulse **F** dos veces para volver a la pantalla inicial.

5.3.4 Selección de un tipo de líquido

El tipo de líquido establece los límites del margen de temperatura ajustado. La elección de tipos de líquido cambia el margen de temperatura ajustable de la siguiente manera:

Líquido	Margen de temperatura ajustado
Agua	Desde 0 °C hasta 100 °C
Agua-glicol	*Desde -30 °C hasta 70°C
Aceite a baja temperatura	Desde -50 °C hasta 50 °C
Aceite a alta temperatura	†Desde 70 °C hasta 150 °C (TX150) ‡Desde 70 °C hasta 200 °C (TXF200)
Anular	§Desde -50 °C hasta 150 °C (TX150) §Desde -50 °C hasta 200 °C (TXF200)

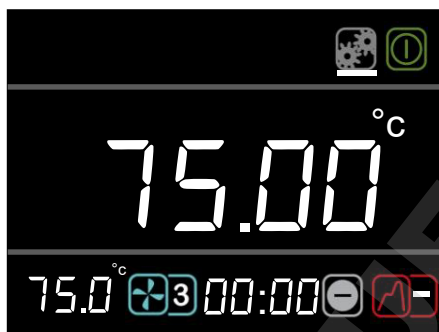
* Agua-glicol (50% agua, 50% anticongelante (etilenglicol inhibido))

† Aceite a alta temperatura (fluido de silicona con las características siguientes: viscosidad 20 centistokes, punto de inflamación ≥ 230 °C, punto de combustión ≥ 280 °C)

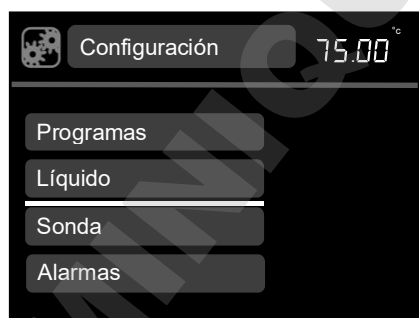
‡ Aceite a alta temperatura (fluido de silicona con las características siguientes: viscosidad 50 centistokes, punto de inflamación ≥ 285 °C, punto de combustión ≥ 340 °C)

§ Cuando se ajusta en Anular, el usuario es responsable de seleccionar un líquido seguro adecuado.

Consulte la descripción completa de líquidos recomendados para el baño en el apartado 4.6.

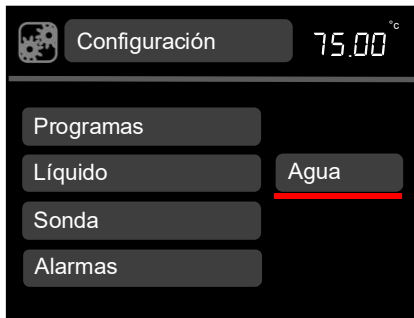


1. Gire el mando hasta que el icono de **configuración** quede resaltado y pulse el botón **S**.



2. Gire el mando para avanzar y retroceder por la lista hasta que **Líquido** quede resaltado; a continuación, pulse **S** para realizar la selección.

Se mostrarán las opciones.



3. Gire el mando para desplazarse por las opciones de líquido y pulse **S** para guardar la opción seleccionada.

Aparecerá la pantalla de configuración.

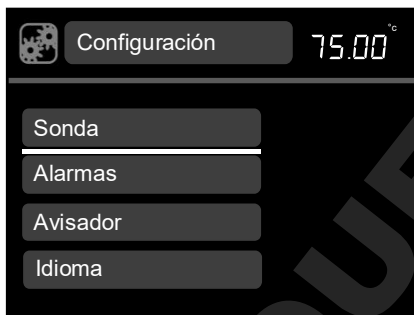
4. Pulse **F** para volver a la pantalla inicial.

5.3.5 Selección de un tipo de sonda de temperatura

La temperatura del baño se puede controlar mediante el uso de una sonda de temperatura interna o externa.

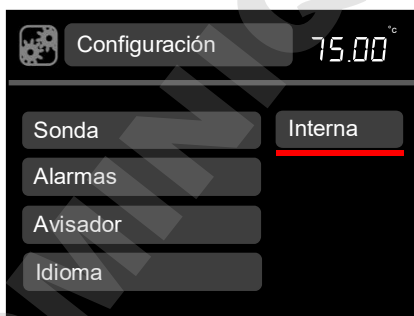


1. Gire el mando hasta que el icono de **configuración** quede resaltado y pulse el botón **S**.



2. Gire el mando para avanzar y retroceder por la lista hasta que **Sonda** quede resaltado; a continuación, pulse **S** para realizar la selección.

Se mostrarán las opciones.



3. Gire el mando para desplazarse por los tipos de sonda (**Externa** o **Interna**) y pulse **S** para guardar la opción seleccionada.

Aparecerá la pantalla de configuración.

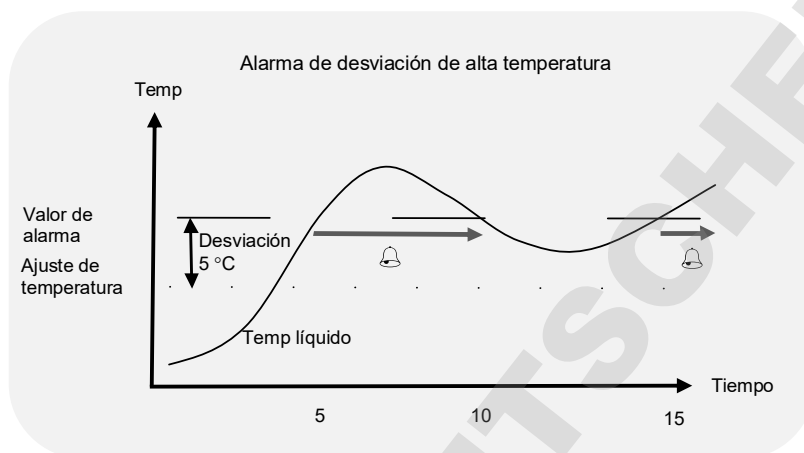
En la pantalla inicial aparecerá el icono de sonda externa.

4. Pulse **F** para volver a la pantalla inicial.

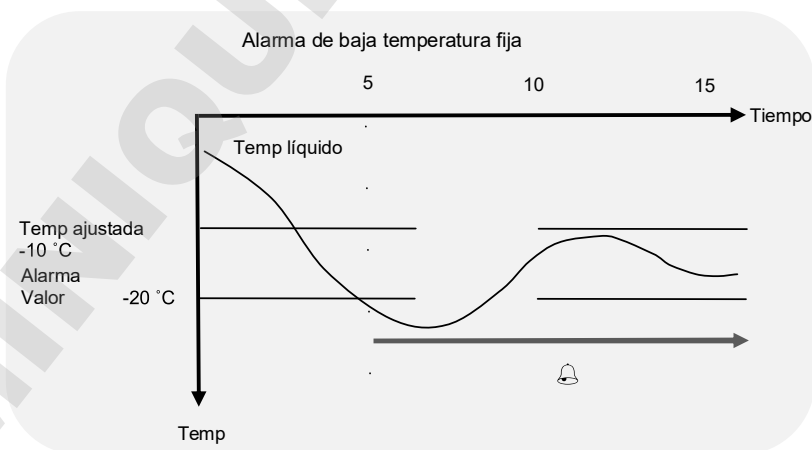
5.3.6 Configuración de las alarmas de alta y baja temperatura

En el menú de alarmas hay tres funciones:

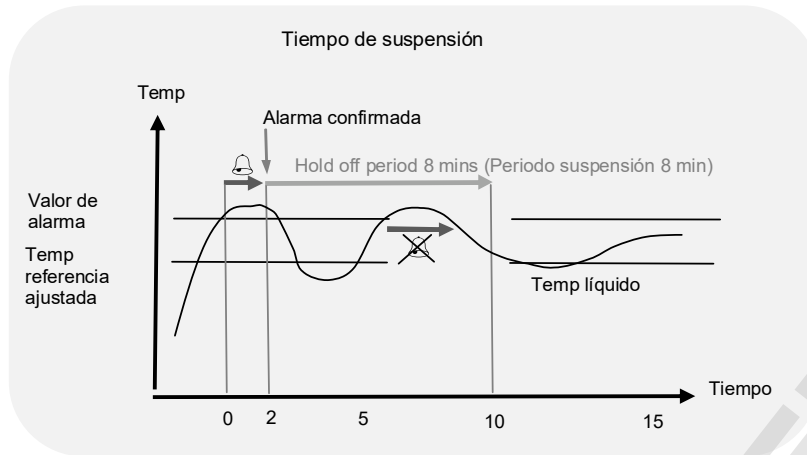
1. Una función de alarma alta, que genera una condición de alarma cuando la temperatura del baño supera el valor de alarma. El valor de alarma se puede definir como una temperatura fija por encima de la temperatura ajustada o como un valor de compensación de desviación por encima de la temperatura ajustada. A continuación se muestra un ejemplo de alarma de desviación de alta temperatura, donde el valor de desviación definido es 5 °C.



2. Una función de alarma baja cuando la temperatura del baño desciende por debajo del valor de alarma. El valor de alarma se puede definir como una temperatura fija por debajo de la temperatura ajustada o como un valor de compensación de desviación por debajo de la temperatura ajustada. A continuación se muestra un ejemplo de alarma de baja temperatura fija, donde el valor de temperatura fija es -20 °C.



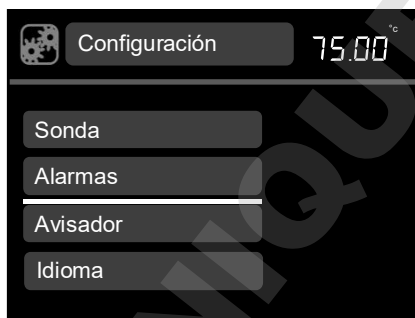
3. Un tiempo de suspensión entre 0 y 21 minutos que puede definir el usuario durante el cual las alarmas permanecen en silencio después de pulsar un botón para confirmar la condición de alarma. La alarma se cancela cuando el baño vuelve a recuperar un valor que no supera el nivel de alarma. Sin embargo, la alarma vuelve a generarse tras el tiempo de suspensión si la temperatura permanece por encima del nivel de alarma.



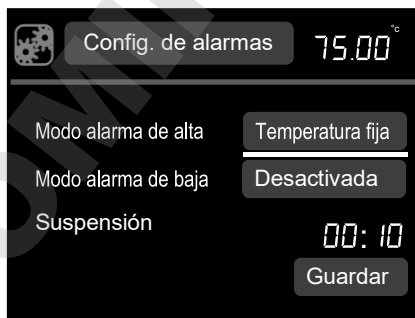
Cada alarma puede programarse para bloquear/activar un zumbador sonoro y un relé. Las alarmas se cancelan pulsando el botón **F** o **S** o cuando desaparece la condición de alarma.



1. Gire el mando hasta que el icono de **configuración** quede resaltado y pulse el botón **S**.



2. Gire el mando para avanzar y retroceder por la lista hasta que **Alarmas** quede resaltado; a continuación, pulse **S** para realizar la selección.



3. Cuando **Modo alarma alta** esté resaltado, pulse **S** para realizar la selección.
4. Gire el mando para seleccionar **temperatura fija, desviación o desactivada**. Pulse **S** para realizar la selección.

Aparecerá la pantalla de alta alarma.

ES



5. Cuando **Temperatura** esté resaltado, pulse **S** para realizar la selección.
6. Gire el mando para definir el valor de temperatura y pulse **S** para realizar el ajuste.
7. Gire el mando para resaltar **Bloqueo** y pulse **S** para realizar la selección.
8. Gire el mando para alternar entre **activar/desactivar** y pulse **S** para realizar la selección.

Quando el bloqueo está activado, la alarma de temperatura permanecerá aunque la temperatura vuelva a estar dentro del margen permitido a menos que lo confirme el usuario.
9. Gire el mando para resaltar **Relé** y pulse **S** para realizar la selección.
10. Gire el mando para alternar entre **activar/desactivar** y pulse **S** para realizar la selección.
11. Gire el mando para seleccionar **Avisador** y pulse **S** para realizar la selección.
12. Gire el mando para alternar entre **activar/desactivar** y pulse **S** para realizar la selección.
13. Gire el mando hasta **Guardar** y pulse **S**. Aparecerá la pantalla de configuración de alarma. El procedimiento se puede repetir para configurar una alarma de desviación y la función de alarma baja.



14. Gire el mando para resaltar **Suspensión** y pulse **S** para realizar la selección.
15. Gire el mando para seleccionar un tiempo de suspensión (de 10 segundos a 21 minutos) y pulse **S** para realizar la selección.

Gire el mando hasta **Guardar** y pulse **S** para guardar todos los ajustes.

Aparecerá la pantalla del menú de configuración.

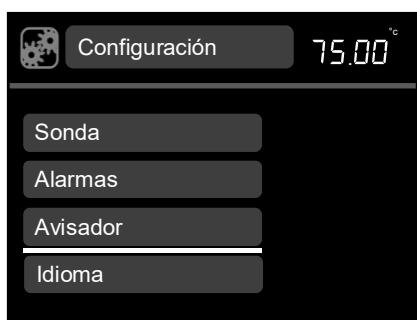
16. Pulse **F** para volver a la pantalla inicial.

5.3.7 Ajuste del nivel de volumen del zumbador

Hay tres niveles de volumen del zumbador: bajo, medio y alto. El volumen también se puede desactivar.

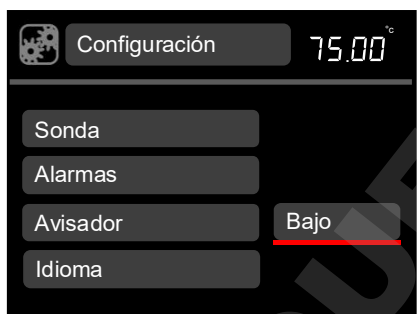


1. Gire el mando hasta que el icono de **configuración** quede resaltado y pulse el botón **S**.



2. Gire el mando para avanzar y retroceder por la lista hasta que **Avisador** quede resaltado; a continuación, pulse **S** para realizar la selección.

Se mostrarán las opciones de volumen.



3. Gire el mando para desplazarse por los niveles de volumen (bajo, medio, alto y desactivado) y pulse **S** para guardar la selección.

Aparecerá la pantalla de configuración.

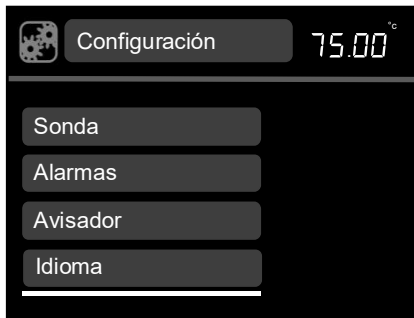
4. Pulse **F** para volver a la pantalla inicial.

5.3.8 Selección de un idioma

Los idiomas disponibles son inglés, francés, alemán, italiano y español.

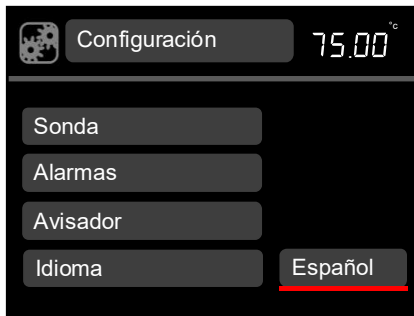


1. Gire el mando hasta que el icono de **configuración** quede resaltado y pulse el botón **S**.



2. Gire el mando para avanzar y retroceder por la lista hasta que **Idioma** quede resaltado; a continuación, pulse **S** para realizar la selección.

Se mostrarán las opciones de idioma.



3. Gire el mando para desplazarse por las opciones de idioma (**inglés, francés, alemán, italiano y español**) y pulse **S** para guardar la selección.

Aparecerá la pantalla de configuración.

4. Pulse **F** para volver a la pantalla inicial.

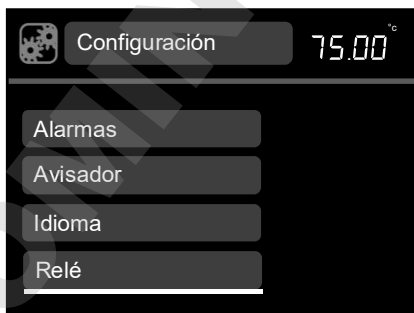
5.3.9 Configuración y comprobación de relés

El TX150 y el TXF200 se pueden configurar para conmutar un relé en la función del programa.

Con las instrucciones siguientes es posible comprobar manualmente esta función al margen de la función del programa.

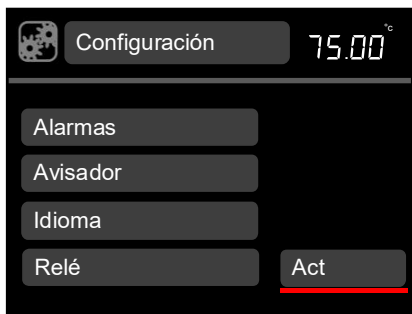


1. Gire el mando hasta que el icono de **configuración** quede resaltado y pulse el botón **S**.



2. Gire el mando para avanzar y retroceder por la lista hasta que **Relé** quede resaltado; a continuación, pulse **S** para realizar la selección.

Se mostrarán las opciones de relé.



3. Gire el mando para alternar entre **activar/desactivar** y pulse **S** para guardar la selección.

Aparecerá la pantalla de configuración.

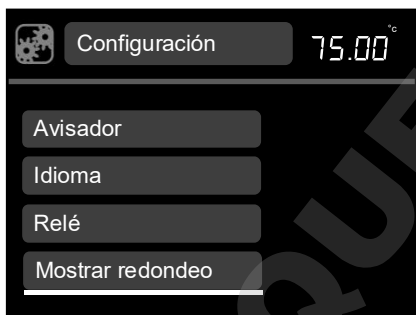
4. Pulse **F** para volver a la pantalla inicial.

5.3.10 Pantalla de redondeo

El TX150 y el TXF200 se pueden configurar para mostrar una temperatura redondeada en lugar de mostrar los pequeños cambios que se producen cuando el calentador emite impulsos para mantener la temperatura.



1. Gire el mando hasta que el icono de **configuración** quede resaltado y pulse el botón **S**.



2. Gire el mando para avanzar y retroceder por la lista hasta que **Mostrar redondeo** quede resaltado; a continuación, pulse **S** para realizar la selección.

Aparecen las opciones de Mostrar redondeo



3. Gire el mando para alternar entre **Act** y **Desact** y pulse **S** para guardar la.

Aparecerá la pantalla de configuración.

4. Pulse **F** para volver a la pantalla inicial.

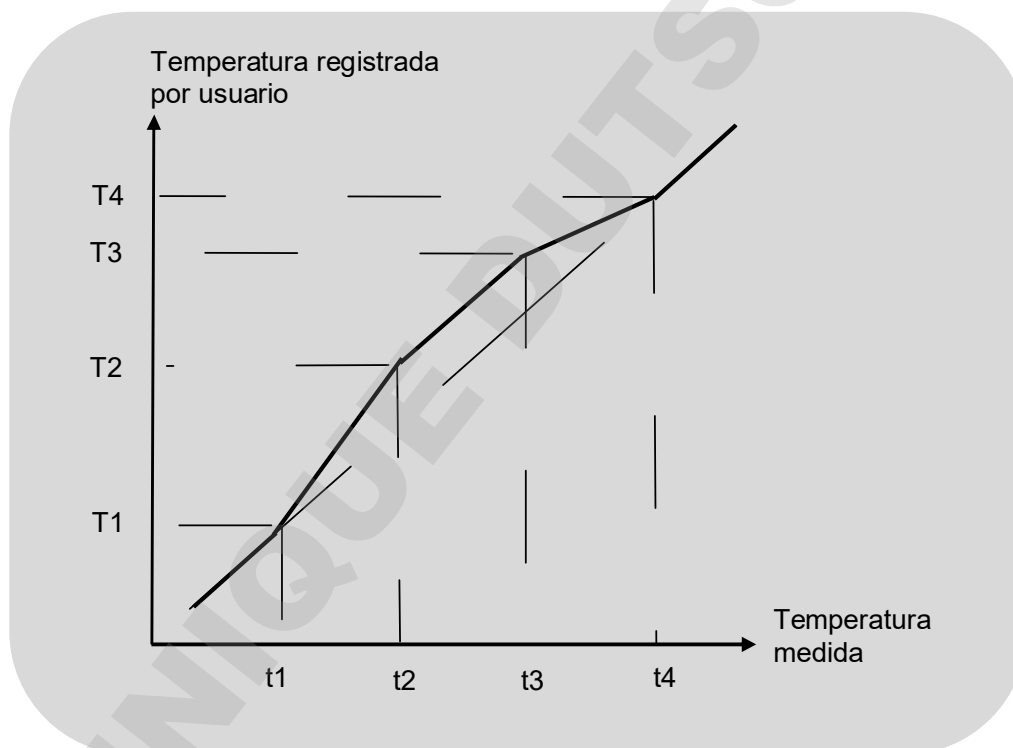
5.4 Realización de una calibración

El TX150 y el TXF200 permiten calibrar un máximo de cinco puntos de temperatura. Puede accederse al menú de calibración pulsando al mismo tiempo los botones **F** y **S** durante 3 segundos.

Las temperaturas de calibración están restringidas por los límites de temperatura del ajuste del tipo de líquido. La calibración debe realizarse mediante un termómetro de referencia identificable con una precisión de al menos 0,1 °C. Este termómetro debe sujetarse de forma segura en el centro del baño o recipiente.

Existen dos puntos de calibración definidos en fábrica (20 °C y 70 °C) que aparecen en el menú de calibración de sonda. Es posible recalibrarlos si es necesario y añadir un máximo de tres puntos de calibración adicionales. Deben elegirse puntos de calibración que estén a temperaturas experimentales críticas donde la precisión es importante o en los extremos del margen de trabajo de las temperaturas empleadas.

Para calcular la temperatura en cualquier punto, el TX150/TXF200 utiliza valores calculados que pasan por cada punto de calibración. Esto garantiza la precisión a cualquier temperatura experimental crítica en todo el margen de temperaturas empleado. En el ejemplo siguiente se han utilizado 4 puntos de calibración.



Entre cada punto de calibración debe haber un mínimo de 5 °C de diferencia, mientras que la diferencia entre los puntos máximo y mínimo debe ser de 20 °C. La unidad no aceptará los puntos añadidos que no cumplan estos criterios.

Los puntos de calibración definidos se pueden cambiar o eliminar, pero siempre debe haber un mínimo de 2 puntos.

Antes de la calibración, asegúrese de que ha seleccionado el tipo de sonda que va a calibrar (interna o externa), que el baño está ajustado en la temperatura deseada y que se ha mantenido estable a esa temperatura durante al menos 5 minutos.



1. Pulse los botones **F** y **S** al mismo tiempo durante 3 segundos.

En el menú de calibración de sonda aparecen los puntos de calibración definidos en fábrica; la temperatura actual del baño se indica en la esquina superior derecha de la pantalla.

2. Gire el mando para resaltar **Añadir punto** y pulse **S** para realizar la selección.

Aparecerá el menú de calibración de punto. Si ha seleccionado la sonda externa, el icono correspondiente se mostrará en la esquina superior izquierda. Cuando se calibra la sonda interna aparece el icono de configuración.



3. Gire el mando para **Temperatura medida**. Pulse **S** para realizar la selección.

4. Gire el mando hasta que la temperatura mostrada en el termómetro calibrado aparezca en la pantalla. Pulse **S** para guardar el valor.

5. Gire el mando para resaltar **Guardar** y pulse **S** para realizar la selección.

Aparecerá la pantalla de calibración de sonda.

6. Pulse **F** para volver a la pantalla inicial.

Si repite los pasos del 2 al 5 puede añadir más puntos de calibración.

*Seleccione **eliminar** en la pantalla de calibración de punto para eliminar los puntos de calibración.*

5.4.1 Restablecimiento de los ajustes de calibración de fábrica

Si se introduce el valor del termómetro antes de que la temperatura del baño esté completamente estable, la calibración podría ser deficiente y las lecturas de la temperatura del líquido serán incorrectas. Si el TX150/TXF200 no está de acuerdo con el termómetro después de la calibración, es posible que ésta no se haya realizado correctamente y que deba reiniciarse la unidad mediante la función de restablecimiento de la configuración de fábrica.



1. Pulse los botones **F** y **S** al mismo tiempo durante 3 segundos.

2. Gire el mando para resaltar **Restablecer valores de fábrica** y pulse **S** para realizar la selección.

*Aparecerá **Si/No**.*

3. Gire el mando para cambiar a **Sí** y pulse **S** para realizar la selección.

Se restablecerán los valores de calibración de fábrica.

4. Pulse **F** para volver a la pantalla inicial.

ES

6.0 Especificaciones técnicas

6.1 Condiciones de funcionamiento

Margen de temperatura ambiente	Desde 5 hasta 40 °C
Altitud sobre el nivel del mar	Hasta 2.000m (6.500 pies)
Entorno de funcionamiento	Sólo uso en interiores
Humedad relativa máxima	Desde un 80% de humedad relativa a un máximo de 31 °C hasta un 50% de humedad relativa a 40 °C

6.2 Datos eléctricos

Alimentación: 220-240 V a 50/60 Hz o 110-120 V a 50/60 Hz
Grado de contaminación: 2
Categoría de instalación: II

Las fluctuaciones de la tensión de alimentación no deben superar $\pm 10\%$ de la tensión de alimentación nominal.

6.3 Rendimiento del producto

	TX150	TX150L	TXF200	TXF200L
Margen de temperatura ajustable	Desde -50 °C hasta 150 °C		Desde -50 °C hasta 200 °C	
Estabilidad (DIN 12876)	$\pm 0,01$ °C			
Uniformidad (DIN 12876)	$\pm 0,05$ °C			
Presión máx. del cabezal de bomba	310 mBar		530 mBar	
Caudal máx. de bomba	18 l/min		22 l/min (ajustable)	
Consumo máx. de corriente	9 A	12,5 A	9 A	12,5 A
Potencia del calentador	1,8 kW	1,4 kW	1,8 kW	1,4 kW

6.4 Información sobre los accesorios de baño

	ST5	ST12	ST18	ST26	ST38
Capacidad del depósito (litros)	5	12	18	26	38
Profundidad del líquido mín./máx. (mm)	85/140	85/140	75/130	125/180	125/180

	P5	P12	P18
Capacidad del depósito (litros)	5	12	18
Profundidad del líquido mín./máx. (mm)*	85/140	85/140	85/140

7.0 Consejos técnicos

7.1 ¿Qué clase de agua debe utilizarse en el baño?

Para garantizar la fiabilidad de los baños maría a largo plazo, es importante utilizar agua oxigenada sin iones ni minerales que puedan corroer el acero inoxidable.

Recomendamos utilizar agua destilada y agua desionizada proveniente de sistemas modernos de intercambio iónico que no utilicen lavado con sal para regenerar los cartuchos de intercambio iónico.

El acero inoxidable está protegido de la corrosión por una capa de óxido de cromo. Si esta capa resulta dañada, el oxígeno presente en el agua puede reparar la capa de óxido. Si el agua no tiene gas o está desoxigenada y se daña la capa de óxido, los iones pueden corroer el depósito de acero inoxidable. Si el baño maría no se ha utilizado durante un tiempo prolongado o el agua ha hervido, recomendamos cambiarla por agua destilada nueva o por el agua desionizada correcta.

Normalmente, el agua contiene iones de calcio y magnesio. Al agua desionizada le han sido extraídos la mayoría de iones, como lo indica su nivel de conductividad; cuanto más pura es el agua menor es su conductividad. Es importante utilizar sólo agua desionizada de un sistema de intercambio iónico con cartuchos reemplazables. No utilice agua desionizada generada en un sistema de intercambio iónico que incorpore un sistema de lavado por sal para regenerar la resina de intercambio iónico, ya que pueden quedar iones de sodio que son muy corrosivos para el acero inoxidable.

7.2 Cómo evitar el óxido de los baños maría

La mayoría de los depósitos Grant, además de las partes sumergidas, están fabricados con acero inoxidable tipo 304, que es una calidad de acero inoxidable de uso general muy versátil. Sus excelentes características de conformación han logrado que esta calidad de acero sea la predominante en la fabricación de baños maría de laboratorio e industriales, además de fregaderos domésticos y sartenes. El acero inoxidable tipo 304 es muy adecuado para aplicaciones en que la higiene es importante; presenta una buena resistencia al calor y una excelente resistencia a la corrosión.

Sin embargo, a pesar de su resistencia general a la corrosión superficial, el acero inoxidable puede sufrir determinados tipos de corrosión, como picaduras (corrosión con pequeños orificios de alfiler) y corrosión por tensofisuración. También puede sufrir corrosión generalizada en determinados entornos, como los que contienen ácido clorhídrico y ácido sulfúrico.

El acero inoxidable está protegido por su alto contenido en elementos de aleación, especialmente cromo y níquel. El cromo es el más importante con respecto a la resistencia a la corrosión, aunque el níquel refuerza la acción del cromo. El cromo forma una capa de óxido sobre la superficie del acero que inhibe su oxidación posterior. Esta capa se adhiere extremadamente bien al sustrato metálico, pero es fundamental que permanezca intacta y hay que protegerla de varios tipos de daños.

Si la superficie de óxido de cromo se daña, el oxígeno presente en el agua puede repararla parcialmente, por lo que se recomienda que el agua sea siempre nueva y esté bien oxigenada. Los baños maría que no van a utilizarse durante un periodo de tiempo prolongado deben vaciarse, y eliminar toda la humedad del fondo del depósito.

En ocasiones puede aparecer una capa marrón en la superficie del depósito de acero inoxidable. En la mayoría de los casos no se trata de óxido, sino de posos superficiales de minerales provenientes de la red local de suministro de agua o de partículas ferrosas o sales que han caído dentro del depósito. Estos posos pueden eliminarse normalmente con un limpiador doméstico como Duraglit o un limpiador de metales como Silvo.

7.3 Cómo evitar las algas y las bacterias

Los baños maría constituyen un entorno ideal para el crecimiento de microorganismos. Si no se controla, el crecimiento de estos organismos puede ocasionar diversos problemas graves, además de riesgos para la salud por las bacterias patógenas.

El crecimiento de algas en la superficie de los componentes causa incrustaciones biológicas, lo que puede reducir el rendimiento.

Los microorganismos que producen residuos metabólicos ácidos pueden causar biocorrosión por la despolarización de las superficies de metal.

Hay distintos biocidas disponibles en el mercado.

8.0 Información de garantía

Utilizado en condiciones de laboratorio y según este manual, este producto tiene una garantía de TRES AÑOS frente a defectos de materiales y mano de obra.

Puede adquirir una garantía ampliada para el cuarto y quinto año poniéndose en contacto con nuestro departamento de ventas en labsales@grantinstruments.com.

9.0 Mantenimiento y servicio

9.1 Mantenimiento periódico

El corte por sobretensión en el TX150/TXF200 debe comprobarse periódicamente girando a la izquierda el mando de sobretensión con un destornillador hasta que se active la alarma. En ese momento suena un zumbador y en pantalla aparece "Overtemperature Alarm" (Alarma de sobretensión). A continuación hay que girar el mando de sobretensión hasta una temperatura 10 °C por encima de la temperatura del líquido, y apagar y encender de nuevo el TX150/TXF200 para comprobar que el corte se puede reiniciar correctamente. Si la alarma se activa cuando el valor indicado en el mando de sobretensión es de más de 10 °C por debajo de la temperatura actual que se muestra en la pantalla principal, la unidad debe ponerse en manos de personal competente para que la revise.

La protección de nivel de líquido de flotador también debe comprobarse periódicamente reduciendo el nivel del líquido del baño; la "alarma de líquido bajo" debe activarse con la espira superior del calentador aún sumergida en el líquido. El flotador también debe comprobarse periódicamente para garantizar la ausencia de cal, suciedad o residuos que puedan obstaculizar el funcionamiento con un bajo nivel de líquido".

Si la bomba lleva mangueras instaladas, inspecciónelas periódicamente y cámbielas cuando sea necesario para evitar fallos.

No se requiere ningún otro mantenimiento periódico.

9.2 Limpieza

Limpie el exterior del equipo con un paño humedecido sólo con agua. No utilice limpiadores químicos. Antes de utilizar cualquier otro método de limpieza o descontaminación, consulte a Grant Instruments o a su representante local para asegurarse de que el método propuesto no dañará el equipo. Las incrustaciones en las

partes sumergidas pueden eliminarse con productos químicos desincrustantes diseñados para utilizarse en equipos que contengan piezas metálicas.



Los productos desincrustantes pueden ser tóxicos, por lo que siempre deben respetarse las instrucciones del fabricante.

9.3 Fusibles

Los fusibles del TX150/TXF200 son internos y no es necesario sustituirlos.

9.4 Sustitución del cable de alimentación

Todos los cables de alimentación de repuesto que se utilicen con el TX150 o el TXF200 deben tener las mismas especificaciones que el cable original suministrado con la unidad para garantizar la seguridad de ésta.

El cable debe tener el siguiente marcado: <HAR>, HO5VV-F 3Gx1 mm² 90 °C y ha de poder soportar corrientes de 10 A. El enchufe y el conector CEI deben llevar las autorizaciones correspondientes de un organismo de certificación europeo (porejemplo, BSI, VDE o equivalente).

9.5 Pruebas de seguridad rutinarias

Si van a realizarse pruebas rutinarias, recomendamos efectuar una prueba de integridad del conductor de tierra de protección y una prueba de aislamiento a 500 V CC. No se recomienda realizar pruebas instantáneas rutinarias con ningún equipo eléctrico; las pruebas de alta tensión repetidas degradan los materiales aislantes.

9.6 Servicio

Si resulta necesario reparar el equipo, desconecte la unidad y póngase en contacto con Grant Instruments o con su representante local.

Tenga en cuenta que todas las unidades devueltas deben ir acompañadas de un número de autorización de devolución de material (RMA), que puede obtenerse poniéndose en contacto con el departamento de servicio de Grant (cuyos datos figuran a continuación).

Service Department
Grant Instruments (Cambridge) Ltd
Shepreth
Cambridgeshire
SG8 6GB
Reino Unido

Tel.: +44 (0) 1763 260 811
Fax: +44 (0) 1763 262 410
E-mail: labservice@grantinstruments.com




10.0 Accesorios opcionales



La lista completa de accesorios y opciones puede encontrarse en el catálogo de referencia científico de Grant (cuya copia le enviaremos previa petición) y en el sitio web de Grant en www.grantinstruments.com.

ES

11.0 Solución de problemas

Síntoma	Causa posible	Acción necesaria
La temperatura sigue subiendo cuando no debería.	La temperatura ajustada es superior a la del líquido.	Compruebe que la temperatura ajustada del baño es correcta (consulte el apartado 5.2.9).
La temperatura ajustada es demasiado limitada.	El tipo de líquido definido no permite alcanzar la temperatura de referencia requerida.	Cambie a otro tipo de líquido (consulte el apartado 5.3.4).
La temperatura no sube cuando debería.	La temperatura ajustada es inferior a la del líquido. La temperatura ajustada es demasiado parecida a la temperatura ambiente.	Compruebe que la temperatura ajustada del baño es correcta (consulte el apartado 5.2.9). Aumente la temperatura ajustada (consulte el apartado 5.2.9) o instale el refrigerador auxiliar (consulte el apartado 4.9).
En pantalla aparece "Alarma de alta temperatura".	Se ha activado la alarma de advertencia de alta temperatura.	Compruebe que la temperatura ajustada del baño es correcta (consulte el apartado 5.2.9). Compruebe que la alarma de alta temperatura es correcta (apartado 5.3.6). Compruebe que el nivel de líquido en el baño sea el adecuado (consulte los niveles mínimos de llenado en el apartado 6.4).
En pantalla aparece "Alarma de baja temperatura".	Se ha activado la alarma de advertencia de baja temperatura.	Compruebe que la temperatura ajustada del baño es correcta (consulte el apartado 5.2.9). Compruebe que la alarma de baja temperatura es correcta (apartado 5.3.6). Compruebe que el nivel de líquido en el baño sea el adecuado (consulte los niveles mínimos de llenado en el apartado 6.4).
La unidad muestra temperaturas irregulares.	Los valores de calibración no están ajustados correctamente.	Restablezca los ajustes de calibración de fábrica (consulte el apartado 5.4.1) y, a continuación, realice una nueva calibración si es necesario (consulte el apartado 5.4).
No se ha guardado el nuevo punto de calibración.	El valor de calibración es incorrecto.	El punto de calibración de temperatura se diferencia menos de 20 °C de un punto de calibración existente; seleccione una temperatura más alta (consulte el apartado 5.4). La temperatura del líquido medida se diferencia más de 5 °C de la temperatura de calibración seleccionada.
Sólo se puede resaltar el icono de espera.	La unidad se encuentra en el modo de espera.	Resalte y seleccione el icono de espera, y pulse "S" para salir del modo de espera.
Los iconos se pueden resaltar pero no se pueden seleccionar.	El programa está funcionando.	Espere hasta que el programa termine o pare el programa.

Síntoma	Causa posible	Acción necesaria
El icono cambia a “-“ cuando se selecciona un programa predefinido	El programa predefinido no está configurado La temperatura ajustada del programa definido no es válida para el líquido seleccionado	Seleccione Programas predefinidos en el menú Configuración y configure un programa predefinido (consulte el apartado 5.3.1). Seleccione Líquido en el menú Configuración y seleccione un líquido que funcione a cada una de las temperaturas deseadas (consulte el apartado 5.3.4).
El icono cambia a “-“ cuando se selecciona un programa	El programa no está configurado. Uno o más segmentos de programa contienen una temperatura deseada que no es válida para el líquido seleccionado	Seleccione Programas en el menú Configuración y configure un programa como se indica en el apartado 5.3.2. Seleccione Líquido en el menú Configuración y seleccione un líquido que funcione a cada una de las temperaturas deseadas (consulte el apartado 5.3.4).
El motor del agitador no gira.	La unidad se encuentra en el modo de espera. El propulsor de agitación o la turbina de la bomba están obstruidos. El motor está averiado.	Resalte el icono de espera en la pantalla de control y pulse el botón S para que vuelva a funcionar con normalidad. Elimine la obstrucción. Ponga el motor en manos de personal competente para revisarlo o póngase en contacto con Grant.
En pantalla aparece “Alarma de sobretemperatura”. 	Se ha activado el corte por sobretemperatura.	Compruebe que la temperatura ajustada sea correcta y que la temperatura de corte por sobretemperatura esté ajustada al menos 5 °C por encima de la temperatura ajustada. Consulte las instrucciones de ajuste en el apartado 5.2.6. Si la temperatura de corte por sobretemperatura se ha ajustado correctamente, pero la unidad muestra todavía una alarma “Corte”, la unidad tiene un fallo interno y debe repararse antes de volver a utilizarse.
En pantalla aparece “Alarma de líquido bajo”. 	El nivel de líquido ha descendido por debajo del nivel mínimo.	Compruebe que el nivel de líquido en el baño sea el adecuado (consulte los niveles mínimos de llenado en el apartado 6.4).
En la pantalla aparece “Ajuste una temperatura válida”. 	Se ha modificado la selección del líquido y la temperatura ajustada previamente no es válida para el nuevo líquido	Resalte el icono de ajuste de temperatura (que mostrará -.-) y ajuste la temperatura deseada.
En pantalla aparece “Dif excesiva de temp interna/externa”.	Existe una diferencia de temperatura de más de 10 grados entre la sonda interna y la sonda externa.	Compruebe que la sonda externa está correctamente conectada en el panel trasero. Compruebe que la sonda externa está correctamente colocada en el líquido del baño y que no obstruye la circulación. Si no necesita la sonda externa, seleccione la sonda interna en el menú de configuración.

Síntoma	Causa posible	Acción necesaria
En pantalla aparece "Fallo de la sonda de temperatura interna". 	La sonda de temperatura está defectuosa.	Ponga la sonda en manos de personal competente para que revise si hay un circuito abierto o un cortocircuito, o póngase en contacto con Grant.
En pantalla aparece "Fallo de la sonda de temperatura externa". 	Sonda de temperatura externa no conectada La sonda de temperatura está defectuosa.	Compruebe que la sonda externa está correctamente conectada en el panel trasero. Ponga la sonda en manos de personal competente para que revise si hay un circuito abierto o un cortocircuito, o póngase en contacto con Grant.
En pantalla aparece "Fallo de programa". 	Uno o más segmentos de programa contienen un ajuste no válido o no se pueden leer de la memoria	Vuelva a cargar el programa si procede de LabWise o edite cada segmento en la unidad (sólo TXF200)
En pantalla aparece "Sobrecalentamiento - potencia reducida". 	Se calienta agua a la temperatura de ebullición o próxima a ésta sin tapa. Se calientan cantidades muy grandes de líquido con grandes pérdidas térmicas.	Incorpore una tapa para reducir las pérdidas térmicas y deje en marcha la unidad con la advertencia Sobrecalentamiento. Si la alarma no se ha borrado en 1 hora, póngase en contacto con Grant. Adopte medidas para reducir las pérdidas térmicas y deje en marcha la unidad con la advertencia Sobrecalentamiento. Si la alarma no se ha borrado en 1 hora, póngase en contacto con Grant.
En pantalla aparece "Servicio necesario 01".	Hay un relé del fusible o una resistencia defectuosos.	Ponga el producto en manos de personal competente para revisarlo o póngase en contacto con Grant.
En pantalla aparece "Servicio necesario 02".	El propulsor de agitación o la turbina de la bomba están obstruidos. El motor está averiado	Elimine la obstrucción. Ponga el producto en manos de personal competente para revisarlo o póngase en contacto con Grant.
En pantalla aparece "Cross-check Failure" (Fallo de verificación).	Fallo en la tarjeta de circuitos impresos	Ponga el producto en manos de personal competente para revisarlo o póngase en contacto con Grant.

Para consultar cualquier otro error o solicitar asistencia, póngase en contacto con el departamento de servicio de Grant Instruments.

12.0 Comunicación con Grant Instruments

En Grant intentamos mejorar continuamente el rendimiento que ofrecemos a nuestros clientes. Si tiene algún comentario sobre los productos o servicios de Grant nos gustaría que nos lo comunicara. Envíe sus comentarios a:

Quality Manager
Grant Instruments (Cambridge) Ltd
Shepreth
Cambridgeshire
SG8 6GB
Reino Unido

Tel.: +44 (0) 1763 260 811
Fax: +44 (0) 1763 262 410
E-mail: feedback@grantinstruments.com

13.0 Cumplimiento legal

Directiva RAEE

Grant Instruments cumple rigurosamente la normativa sobre residuos de aparatos eléctricos y electrónicos (RAEE) de 2006. Somos miembro del programa de B2B Compliance (aprobación de programa nº WEE/MP3338PT/SCH), que se encarga de gestionar en nuestro nombre nuestras obligaciones en cuanto a gestión de residuos RAEE. La Agencia Medioambiental del Reino Unido ha asignado a Grant Instrument un número de registro exclusivo, cuya referencia es WEE/GA0048TZ.

Para obtener información relacionada con la recogida de residuos RAEE en el Reino Unido, póngase en contacto con nuestro programa de B2B Compliance directamente en el 01691 676 124.

En otros países, póngase en contacto con el proveedor del equipo.

Para obtener información general sobre RAEE, visite: www.b2bcompliance.org.uk

Directiva RoHS

Los productos descritos en este manual satisfacen los requisitos de la directiva sobre reducción de uso de sustancias peligrosas (RoHS) (Directiva 2002/95/CE).

Seguridad eléctrica y compatibilidad electromagnética

Los productos descritos en este manual satisfacen los requisitos de la directiva de baja tensión (2006/95/CE) sobre seguridad eléctrica y la directiva CEM (2004/108/CE) sobre compatibilidad electromagnética. Consulte la Declaración de conformidad en el interior de la contraportada.

DOMINIQUE DUTSCHER SAS

Declaration of Conformity

Manufacturer:-	GRANT INSTRUMENTS (CAMBRIDGE) LTD, Shepreth, Cambridgeshire UK SG8 6GB
Equipment Name/Type Number:-	Optima TX150 and Optima TXF200
Description of Equipment:-	Laboratory Immersion Thermostat
Directives:-	EMC Directive 2004/108/EC LVD Directive 2006/95/EC
Including Accessories:-	Detachable cordset. Optional external temperature probes TXSEP, TXPEP
CE marking first applied:-	2012

Applied Standards:-	BS EN 61326-1:2006 Electrical Equipment for measurement, control and laboratory use - EMC requirements - Part 1: General requirements BS EN61010 Part 2-010:2003 Safety requirements for electrical equipment for measurement, control and laboratory use; particular requirements for laboratory equipment for the heating of materials
Harmonized Standards:-	

The product complies with the above directives when used with the supplied mains cord-set and optional external temperature probe; it may not comply if an alternative cord-set or probe is used.

I declare that this apparatus conforms to the requirements of the above Directive(s)



Ludo Chapman
Managing Director
Grant Instruments (Cambridge) Ltd.

Dated..... 16/4/12.....

USA

This device complies with Part 15 of the FCC rules. Operation is subject to the following two conditions: (1) this device may not cause harmful interference, and (2) this device must accept any interference received, including interference that may cause undesired operation.

Grant

**Grant Instruments
(Cambridge) Ltd**

Shepreth
Cambridgeshire
SG8 6GB
UK

Tel: +44 (0) 1763 260811
Fax: +44 (0) 1763 262410
Email: labsales@grantinstruments.com
www.grantinstruments.com