



## General purpose immersion thermostats, baths & circulators Optima T100 & TC120

*Operating Manual*



EN



FR



DE



IT



ES

**Grant Instruments**, based near Cambridge, England is a world leader in the manufacture and design of equipment for sample preparation, scientific analysis, data acquisition and data analysis providing solutions to the global scientific and industrial markets.

### **Standards Compliance and Quality**

Grants' brand and reputation are based around quality, reliability and accuracy. We ensure our products stringently meet all necessary international safety standards. We pay particular attention to the safety testing of products and remain at the forefront of the product safety standard for laboratory equipment IEC 61010-1. The company is committed to operating its safety test laboratory in accordance with the requirements of ISO 17025.

Grant operates a Quality Management System that complies with the requirements of BS EN ISO 9001:2008.

Beyond compliance to the standard, Grant is committed to continually improving in everything we do; with particular emphasis on understanding what matters to our customers and suppliers, and designing our systems and work to meet their needs.

If you have any feedback on Grant's products or services we would like to hear from you. Please send all feedback to:

Quality Manager  
Grant Instruments (Cambridge) Ltd  
Shepreth  
Cambridgeshire  
SG8 6GB  
UK

Tel: +44 (0) 1763 260 811  
Fax: +44 (0) 1763 262 410  
E-mail: [feedback@grantinstruments.com](mailto:feedback@grantinstruments.com)

## Contents

---

Contents	2
1.0 Use of products	4
2.0 How to use this operating manual	4
3.0 Safety information	5
3.1 Safety compliance	5
3.2 Safety symbols	5
3.3 Safety warnings	5
4.0 Operating instructions	6
4.1 Unpacking instructions	6
4.2 Fitting controller to ST baths	6
4.3 Fitting the controller to P baths	7
4.4 Fitting the controller to custom baths	7
4.5 Removing the controller from the bridge plate	8
4.6 Recommended liquids	8
4.7 Installation	9
4.8 Electrical supply	9
4.9 Using accessory cooling (C1G, C2G, CW5)	9
5.0 Operating procedures	10
5.1 Operation	10
5.1.1 Liquid level	10
5.1.2 Operation above 60°C	10
5.1.3 Operation at low temperatures	10
5.1.4 Using the pump (TC120 only)	10
5.1.5 Emptying the ST baths	11
5.1.6 Setting up and switching on	11
5.2 Using the T100 & TC120	12
5.2.1 Product description	12
5.2.2 Product indicators	12
5.2.3 Setting the control temperature	13
5.2.4 Configuring a preset	13
5.2.5 Running a bath preset	13
5.2.6 Completing a calibration	14
5.2.7 Restoring factory calibration settings	15
5.2.8 Adjusting display brightness	15
5.3 Additional features of the TC120	16
5.3.1 Setting the over-temperature thermostat	16
5.3.2 Setting a countdown timer	16
5.3.3 Cancelling the timer	17
5.3.4 Setting a high temperature warning alarm	17
5.3.5 Selecting liquid type	17
6.0 Technical specifications	18
6.1 Operating conditions	18
6.2 Electrical details	18
6.3 Product performance	18
6.4 Bath accessories information	18
7.0 Technical Tips	19
7.1 Which water should you use in your bath?	19
7.2 How to prevent rust in water baths	19
7.3 How to prevent algae and bacteria?	19
8.0 Warranty information	20
9.0 Maintenance and service	20
9.1 Routine Maintenance	20
9.2 Cleaning	20

EN

9.3	Fuses	21
9.4	Routine safety tests	21
9.5	Service	21
10.0	Optional accessories	21
11.0	Troubleshooting	22
12.0	Contact Grant Instruments	24
13.0	Compliance	24

DOMINIQUE DUTSCHER SAS

## 1.0 Use of products

---

The following products are covered by this operating manual:

- T100 & T100L
- TC120 & TC120L

The products listed above are general purpose immersion thermostats to be used with baths or circulators designed for indoor laboratory use by a professional user.

## 2.0 How to use this operating manual

---

This operating manual will allow you to unpack, set-up and operate this immersion thermostat correctly and safely. Important safety information, symbols and warnings are listed below and should be read carefully. Section 4 gives information about how to unpack and install the product correctly. Section 5 gives operating information for the T100 & TC120 models. Product technical specifications and tips are provided in sections 6 and 7. The warranty for this product is for THREE YEARS and is detailed in section 8 and should be registered by completing the on-line registration form at [www.grantinstruments.com](http://www.grantinstruments.com).

If there is a technical matter that this operating manual does not address, or any other question concerning this product, please contact Grant Instruments or your local distributor, who will be able to provide any additional information.

A quick start guide is provided with the T100/TC120 immersion thermostats as a reference guide but should not be used until the full user manual has been read.

EN

## 3.0 Safety information

---

### 3.1 Safety compliance

Grant immersion thermostats meet the requirements of international safety standard IEC 61010: Safety requirements for electrical equipment for measurement, control, and laboratory use. They also comply with the equivalent national standards including:

EN 61010-2-010  
UL 61010A-2-010  
CAN/CSA-C22.2 NO. 61010-2-010-04.

### 3.2 Safety symbols

The symbols below are marked on the equipment and throughout this manual to indicate:



Caution: Surfaces and heat transfer liquid can be hot during and after use.



Read this manual before using the bath.



Important safety warning.

### 3.3 Safety warnings



Read the whole of these instructions. Safety may be impaired if they are not followed.



For the T100, only use water as the working liquid.



For the TC120, only use liquids specified in these operating instructions, within the specified temperature range. If the alarm lamp is illuminated the liquid temperature may be above its recommended maximum. Do not inhale the vapours given off as they may be toxic. Liquids should be safely discarded and replaced.



Do not use the T100/TC120 with flammable heat transfer liquids.



Do not use the T100/TC120 to heat any sample material that could cause a fire or any other kind of hazard.



Do not use the equipment in an area where there are aggressive or explosive chemical mixtures.



If a potentially hazardous liquid is spilled onto or inside the equipment, disconnect it from the power supply and have it checked by a competent person.



It is the user's responsibility to carry out appropriate decontamination if hazardous material is spilled on the equipment.



If the alarm lamp is illuminated do not touch the liquid or the tank base, they may be very hot. Refill carefully, a hot heater can cause a spattering of very hot water droplets and scalding steam.



Do not touch surfaces which become hot during high temperature operation.

## 4.0 Operating instructions

### 4.1 Unpacking instructions

Standard equipment includes:

- Immersion thermostat (T100 or TC120)
- Pump outlet plates (TC120 only)
- Mains cord with plug
- Operating manual
- Quick start guide

ST bath accessory includes:

- Stainless steel bath
- Bridge plate
- Circulating tray (ST18, ST26 & ST38 baths only)

P bath accessory includes:

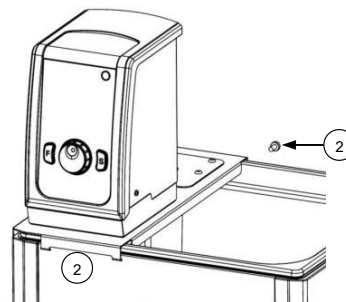
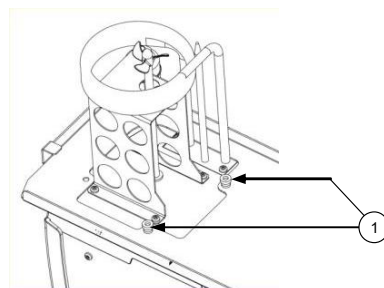
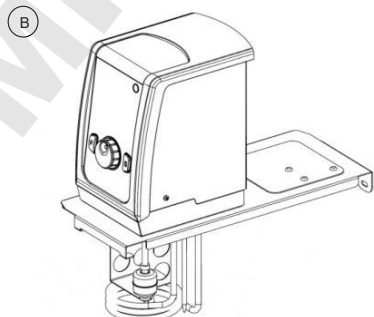
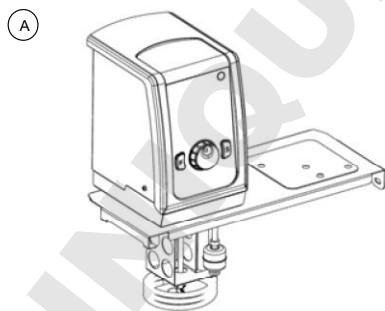
- Plastic bath
- Bridge plate

Remove packing materials carefully and retain them for future shipment or storage of the equipment.

### 4.2 Fitting controller to ST baths

The T100/TC120 can be fitted to the following stainless steel baths, ST5, ST12, ST18, ST26 and ST38 in two orientations for convenience, facing over ST bath (A) or facing outwards (B):

1. Fit the T100/TC120 through the hole in the bridge plate and align using the locating threads. Secure using the retaining nuts. Hand tighten only.
2. Hook the assembly into the slots on the ST bath and use the supplied fixing to secure to the rear of the bath.



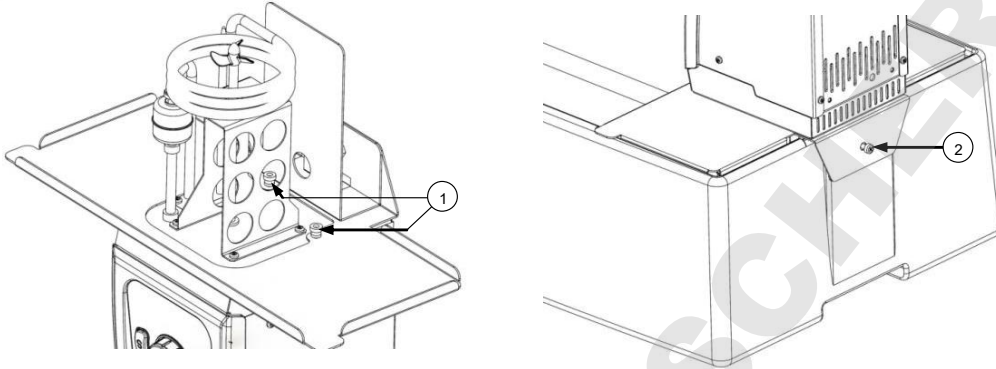
EN

Fit the circulation tray in the base of the tank with the large cut out in the tray underneath the control unit (ST18, ST26 & ST38 only).

#### 4.3 Fitting the controller to P baths

The T100/TC120 can be fitted to the following plastic baths, P5, P12 and P18:

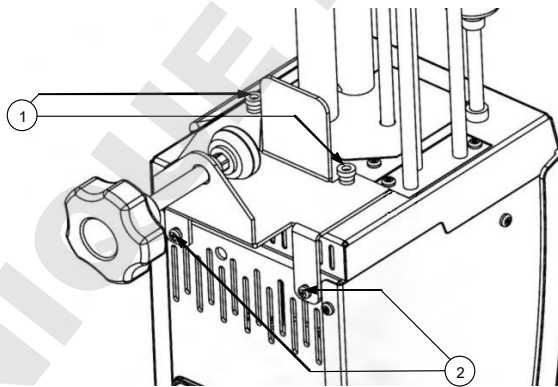
1. Fit the T100/TC120 through the hole in the bridge plate and align using the locating threads. Secure using the retaining nuts. Hand tighten only.
2. Add the assembly to the P bath and use the supplied fixing to secure to the rear of the bath.



#### 4.4 Fitting the controller to custom baths

A clamp can be fitted to the T100/TC120 to allow attachment to a non-Grant bath or vessel with a wall thickness of up to 30mm. To fit the clamp to the T100/TC120:

1. Place clamp over locating threads on base of T100/TC120. Secure using the retaining nuts. Hand tighten only.
2. Add clamp rear fixings to secure to rear of T100/TC120.



Take care not to over tighten the clamp to avoid damaging the clamp or vessel



The liquid container on which the unit is mounted must be stable and have the necessary robustness, mechanical, chemical and heat resistance.

Do not wash the clamp in a dishwasher or clean it with descaler. Do not submerge the threaded shaft of the clamp. Always dry the threaded shaft and clamp after cleaning. The threads may be lubricated with a small amount of light machine oil.



#### 4.5 Removing the controller from the bridge plate

Allow the working liquid to cool before removing the T100/TC120 from the bridge plate. Carefully remove the T100/TC120 and bridge plate together from the bath or vessel. Take care as the pump will contain a small amount of the working liquid which will leak out as the unit is handled. Undo the retaining nuts and remove the bridge plate. Attach the retaining nuts to the locating threads for safe keeping.

#### 4.6 Recommended liquids

The following table lists the recommended liquids for different temperature ranges. Always ensure the liquid used is safe and suitable for your working temperature. If using non-recommended heat transfer liquids, it is the responsibility of the user to conduct an assessment to ensure the intended fluid is compatible with the T100/TC120 and vessel. If using non-recommended heat transfer liquids it is important to set the over-temperature cut-out to a value no higher than 25°C below the fire point of the liquid. If in doubt please contact the Grant technical support team.



To ensure protection the overtemperature cut out (TC120 only) must be set appropriately for the heat transfer liquid selected. See table below.



If using non-recommended heat transfer liquids it is important to set the over-temperature cut-out to a value no higher than 25°C below the fire point of the liquid. If in doubt please contact the Grant technical support team.



Use fume extraction when using silicone fluids at elevated temperatures

Temp range	Recommended liquid	Cut-out setting	Comments
-30°C to 30°C	50% water, 50% antifreeze (inhibited ethylene glycol)	40°C	WARNING: Ethylene glycol is toxic – follow the manufacturer's instructions. For safe disposal consult your local regulations.
0°C to 30°C	80% water, 20% antifreeze (inhibited ethylene glycol)	40°C	Use a lid to reduce the dilution of the mixture caused by condensing water vapour from the air, and to maintain the cool down rate.
5°C to 99.9°C	Water*	110°C	Water can be used but care should be taken above 60°C as hot vapour can be dangerous. Use a lid or polypropylene spheres above 60°C to ensure good performance & reduce evaporation. At temperatures approaching 99°C the temperature performance will be affected due to localised boiling. The units should not be used to boil water.

EN

Temp range	Recommended liquid	Cut-out setting	Comments
70°C to 120°C	Silicone fluid Viscosity ~20cs Flash point ≥230°C Fire Point ≥280°C	130°C	Dow Corning DC200/20 silicone fluid is a suitable liquid – follow the manufacturer's instructions. For safe disposal consult your local regulations.

\* See section 7.1 for further details

#### 4.7 Installation



Place the water bath on a level, non-combustible surface. Ensure that the mains plug and the switch at the rear of the unit are easily accessible.



If the equipment has been transported or stored in cold or humid conditions, condensation may form inside it. If that could have happened, allow time (at least 2 hours at room temperature) for the condensation to evaporate before using the equipment.



Do not block or restrict ventilation slots.

#### 4.8 Electrical supply



Check that the supply voltage marked on the serial number label, and the type of mains plug, are correct for your mains supply outlet, which must have a ground connector.

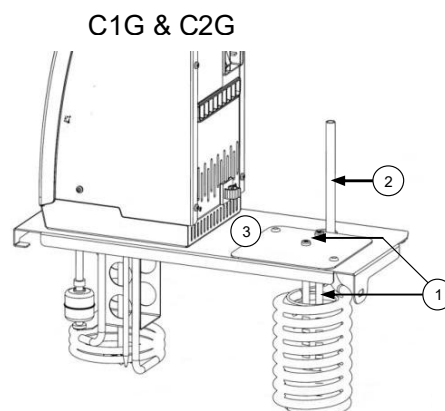
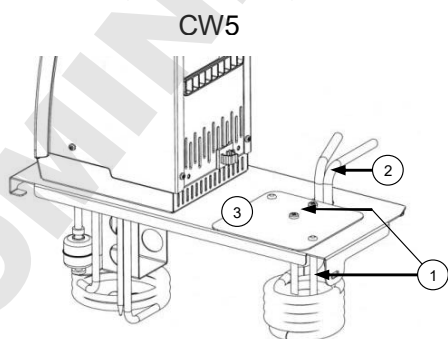


The T100/TC120 must only be connected to the mains using the mains cord supplied or one with an identical rating (see section 9.4)

#### 4.9 Using accessory cooling (C1G, C2G, CW5)

Accessory cooling is required for operation at temperatures below ambient. Refrigerated dip coolers (C1G and C2G) can be used for operation down to -15°C. A water heat exchanger coil (CW5) can be used for operation at or around ambient. The coils can be fitted:

1. Attach u-shaped coil locating rod to cover plate using two fixings supplied.
2. Fit the cooling coil through the hole in the bridge plate and align outlet pipes with cut-out notch.
3. Fit cover plate onto bridge plate and attach with fixings supplied. The coil locating rod should press fit against the inside of the coil and hold it rigidly. Ensure the coil is held safely and securely before operation.



## 5.0 Operating procedures

---

### 5.1 Operation

#### 5.1.1 Liquid level

The minimum and maximum liquid levels are defined in section 6.4 for Grant accessory baths. Liquid level should always be maintained between these levels. These levels apply both when there are no vessels in the bath and with the maximum contents. If using liquids that can evaporate then periodic checking and refilling should be completed. The low level float switch will alarm if the liquid level drops below the minimum required level and the unit will switch off the heater and stop temperature control.

#### 5.1.2 Operation above 60°C

A lid or polypropylene spheres must be used above 60°C to maintain temperature control and to ensure that the bath fluid temperature reaches the set point. They will save energy by preventing excessive evaporation and reduce the frequency that the bath needs to be refilled. As a precaution, the T100/TC120 may display 'Hot' if heating water at or near boiling over extended periods or heating large volumes of liquid with large thermal losses without the use of a lid or polypropylene spheres. See section 11 for additional guidance.

Care should be taken to ensure rear inlet vents are clear and minimise the intake of steam when operating at or near boiling water or with other evaporating liquids.



Take care when lifting and removing the lid as it may be hot. Steam and hot vapours can cause scalding.

#### 5.1.3 Operation at low temperatures

Accessory cooling is required for controlled operation at or below ambient temperature. The minimum working temperature without accessory cooling depends on the size of the bath. The small baths, P5 and ST5, have a minimum working temperature of approximately 10°C above ambient without a lid and 15°C above ambient with a lid. Other bath sizes can be used at a temperature of 5°C above ambient.

#### 5.1.4 Using the pump (TC120 only)

The TC120 allows liquid to be pumped around a closed external system (not open to the atmosphere). It may be used for circulation through an external open tank only if a gravity feed return is present. An assessment of any reservoir running should be completed to ensure liquid levels are stable during operation and there is no chance of any reservoir running dry or overflowing. The pump is fitted with a blanking plate as standard. Fit a pump connector plate as shown below. Note: the blanking/connector plates have a locating hole (see A below) to assist correct alignment onto the pump moulding. It is important to verify the hole is aligned with the corresponding locating pin (see B below) on the pump moulding. Failure to do so will result in a leaking connection. Retain the blanking plate for refitting when the pump is no longer required.

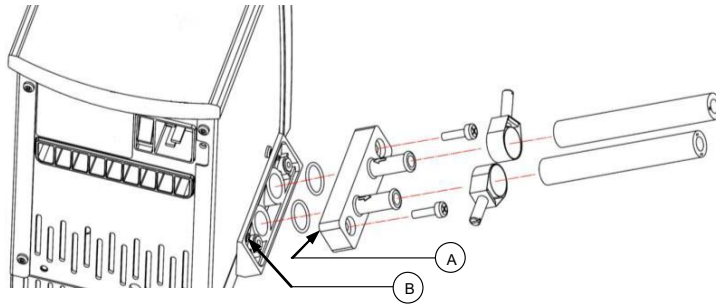


Always use pump connectors and hoses that are suitable for the operating temperature and liquid used. Check the pipe connections are secure.



Never disconnect any pipes or hoses while they contain very hot or very cold liquids or while the TC120 is pumping.

EN



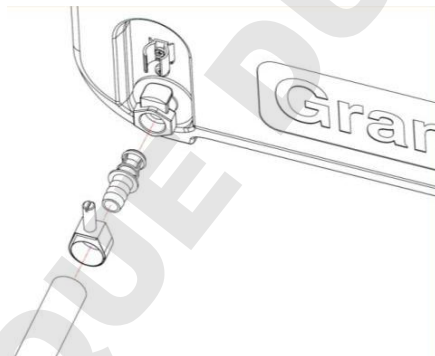
Pumping heat transfer liquid around an external system can lead to hazards that are outside the control of Grant Instruments. It is essential that the user conducts a risk assessment of the entire equipment installation to ensure that correctly rated materials have been used throughout and that the system can be used safely.

### 5.1.5 Emptying the ST baths

The ST12, ST18, ST26 & ST38 baths should be emptied to a safe level prior to moving. A drain tap is included on these baths to allow convenient emptying.

Allow the liquid temperature to fall to a safe level before emptying. If the bath is drained at temperatures above 50°C then the drain mechanism will be damaged and will need to be replaced. Take reasonable precautions to prevent accidental spillage.

Empty the bath by pushing the supplied drain insert into the drain tap as shown below. Note that the bath liquid will begin to empty as soon as the drain insert is fully engaged. A length of hose can be added to the barbed end of the drain insert if required.



### 5.1.6 Setting up and switching on

Connect the T100/TC120 to a grounded (earthed) electrical power supply with voltage and frequency within the range specified on the serial number plate.

Attach the T100/TC120 securely to the required bath or vessel. Add the appropriate working liquid to the bath to at least the minimum recommended fill level such that the float level switch is fully raised.

Switch on the T100/TC120 using the power switch on the rear of the unit. The motor will start immediately and the buzzer will sound while the unit starts up. During start up the display will show the model type, followed by the software version and finally the current liquid temperature. The T100/TC120 is ready to use.

To disconnect the equipment from the mains supply, remove the mains plug from the mains supply outlet.

## 5.2 Using the T100 & TC120

### 5.2.1 Product description



### 5.2.2 Product indicators

There are two indicator lights on the T100/TC120:

- Heater on light (orange) marked  $\text{SSS}$
- Alarm light (red) marked  $!$

The alarm lamp will light to indicate the following faults:

- Float switch has operated due to low liquid level
- Over-temperature cut out has operated
- Temperature probe fault

The cause of the alarm will also be shown on the display.

The display normally shows the temperature in °C of liquid being controlled.

The **S**(elect) button is used to select and store values whilst the **F**(unction) button is used to access menu options and cancel functions.

The main dial is used to change temperature values and other settable parameters.

EN

### 5.2.3 Setting the control temperature

The temperature of the bath liquid can be set using the **S** button.

1. Whilst the display is showing the bath temperature, press the **S** button. This will cause the display to flash indicating that it can be set.
2. Use the main dial to set the desired temperature.  
*If no key is pressed for 10 seconds then the display will revert back to showing the bath temperature and the set temperature will remain at its original value.*
3. Press the **S** button to store the requested value and the display will revert to showing the bath temperature.  
*If the temperature selected is higher than the current liquid temperature, the heater light will come on.*

### 5.2.4 Configuring a preset

Each T100/TC120 contains three presets which can be configured to different set temperatures to allow the bath to be conveniently run at frequently used temperatures. Use the method below to configure preset 1; other presets can be set in a similar manner.

Be aware that once a preset has been saved using the steps below, it will automatically start once all the steps have been completed.

1. Press the **F** button and rotate the dial until the display shows “t-1”.  
*The display will alternate between the preset number and its temperature.*
2. Press the **S** button to select the preset.
3. Use the dial to set the desired preset temperature.  
*If no key is pressed for 10 seconds then the display will revert back to showing the bath temperature and the preset temperature will remain at its original value.*
4. Press the **S** button to save the preset temperature.  
*The preset will automatically start as soon as the value is saved.*

Preset temperatures and set temperatures are limited to the model type and the liquid selection. The T100 settable range is between 0 and 100°C increasing to between -25°C and 120°C for the TC120. The factory preset settings are shown in the table below.

Preset	Set temperature range
t-1	37°C
t-2	56°C
t-3	72°C

### 5.2.5 Running a bath preset

1. Press the **F** button and rotate the dial until the display shows the correct preset.
2. Press the **S** button to select the preset.
3. Press the **S** button to set the bath to the preset temperature.

## 5.2.6 Completing a calibration

The T100 & TC120 allow a two point calibration to be completed. The calibration menu can be accessed by simultaneously pressing the **F** and **S** buttons for about 5 seconds.

The calibration temperatures are constrained by the temperature limits of the liquid type setting. Calibration should be carried out using a traceable reference thermometer with an accuracy of at least 0.1°C. This thermometer should be held securely in the centre of the bath or vessel.

The calibration of the T100/TC120 is in two parts, a low temperature offset and a high temperature offset. The high temperature calibration point must be at least 40°C higher than the low temperature point.

Calibration points should be chosen to be at critical experimental temperatures where accuracy is important or at the extremes of the working range of used temperatures.

If only the low temperature calibration point is set then the calibration will be performed between this point and 100°C with the offset decreasingly linearly. If only the high temperature calibration point is set then the calibration will be performed between 0°C and this point with the offset decreasingly linearly.

If the thermometer value is entered before the unit is completely stable then the calibration could be poor and liquid temperature readings will be incorrect. If the T100/TC120 is not in accordance with the thermometer following calibration then it may not have been successful and the unit should be reset.

### Setting the low temperature offset

1. Adjust the set temperature to the required low temperature calibration point.
2. Allow the unit to stabilise for at least 5 minutes after a stable temperature condition has been achieved.
3. Measure the liquid temperature by placing a reference thermometer into the centre of the bath.
4. Press the **F** and **S** buttons simultaneously for approximately 5 seconds until "LCAL" is shown.
5. Press the **S** button to select.
6. Use the main dial to update the display to show the temperature on the reference thermometer.
7. Press the **S** button to store the temperature.  
*Press the F button to cancel the calibration.*
8. Press the **F** button to return to the liquid temperature display.

### Setting the high temperature offset

1. Adjust the set temperature to the required high temperature calibration point.
2. Allow the unit to stabilise for at least 5 minutes after a stable temperature condition has been achieved.
3. Measure the liquid temperature by placing a reference thermometer into the centre of the bath.
4. Press the **F** and **S** buttons simultaneously for approximately 5 seconds until "LCAL" is shown.
5. Rotate the dial until the display shows "HCAL" and press the **S** button to select.
6. Use the main dial to update the display to show the temperature on the reference thermometer.
7. Press the **S** button to store the temperature.  
*Press the F button to cancel the calibration.*

EN

### 5.2.7 Restoring factory calibration settings

The restore factory calibration allows the unit settings to be reset if there is a problem during calibration or you wish to cancel any of the calibration settings.

1. Press the **F** and **S** buttons simultaneously for approximately 5 seconds until “LCAL” is shown.
2. Rotate the dial until the display shows “rST” and press the **S** button to select.
3. Press the **S** button four times (the display will show “Con.3”, “Con.2”, “Con.1” and sound the buzzer to confirm the factory reset has been completed).

### 5.2.8 Adjusting display brightness

The brightness of the display can be adjusted over a limited range (20% to 100%) if required.

1. Press **F** and **S** buttons simultaneously for approximately 5 seconds until the display shows “LCAL”.
2. Rotate the dial until the display shows “disP” and press the **S** button to select.
3. Rotate the dial between the settings and select required brightness  
*The displayed values show the display brightness*
4. Press **S** button to save the value.
5. Press **F** button to return to the normal temperature display.



## 5.3 Additional features of the TC120

### 5.3.1 Setting the over-temperature thermostat

An over-temperature cut-out dial with a temperature scale is located at the top right of the unit. The over-temperature probe independently monitors the bath temperature and switches the heater off if it goes above the cut-out threshold. The T100 temperature cut-out threshold is fixed at 110 °C. For the TC120, the temperature cut-out threshold can be adjusted for convenience.

#### Coarse setting of the over-temperature thermostat

Rotate the temperature cut-out dial in line with the marked scale to the desired setting. This should be higher than the set temperature to avoid operating the cut-out before the set temperature has been reached.

If the alarm is triggered, it can be cancelled by pressing either the **F** or **S** button once. The unit must then be switched off to clear the cut-out alarm. To continue to use the TC120, let the bath liquid cool by at least 5°C either naturally or by replacing the liquid, switch the unit off, wait 10 seconds and switch it on again to clear the alarm. To avoid nuisance tripping the trip point needs to be set at least 5°C above the desired control temperature.

#### Alternative setting of the over-temperature thermostat

Rotate the temperature cut-out dial to maximum (or at least a value above the level required) and configure the set temperature to the cut-out level required. Leave the bath to reach the set temperature and stabilise for at least 5 minutes. Turn the cut-out dial slowly anticlockwise until the alarm lamp comes on and the alarm sounds intermittently. The display will alternate between showing “Cut” and the liquid temperature. This gives an over-temperature trip point at the set temperature. The audible alarm can be cancelled by pressing either the **F** or **S** button once.

The unit must be switched off to clear the cut-out alarm. To continue to use the TC120, let the bath liquid cool by at least 5°C either naturally or by replacing the liquid. To avoid nuisance tripping the trip point needs to be set at least 5°C above the desired control temperature.

### 5.3.2 Setting a countdown timer

The TC120 includes a countdown timer in minutes which triggers an audible alarm on completion. The timer can be set between 1 minute and 6000 minutes (100 hours).

1. Press the **F** button twice – the display will show “Cloc”.
2. Press the **S** button to select.
3. Use the main dial to select “On” and press the **S** button to select. The display flashes with time (in minutes) indicated. Rotate navigator control to set time required.
4. Press the **S** button to save and return to liquid temperature display with timer countdown started.

When the countdown clock is set the display alternates between bath temperature and time remaining in minutes.

When the countdown timer reaches zero the audible alarm will sound and the display will alternate between the water temperature and “End”. The alarm can be accepted by pressing the either the **F** or **S** buttons.

**Note: the TC120 will continue to control at the set temperature after the timer reaches zero – the heater will not switch off.**

EN

### 5.3.3 Cancelling the timer

The countdown timer can be easily cancelled.

1. Press the **F** button twice – the display will show “Cloc”.
2. Press the **S** button to select.
3. Use the main dial to select “Off” and press the **S** button to select. The display will revert to the bath temperature and the timer will be cancelled.

### 5.3.4 Setting a high temperature warning alarm

The high temperature alarm sets a warning buzzer to sound if the bath temperature exceeds a defined level.

1. Press the **F** button three times – the display will show “Alar”.
2. Press the **S** button to select.
3. Use the main dial to select “On” and press the **S** button to select. The display flashes the high temperature alarm value. Rotate the dial to set the high temperature alarm required.
4. Press the **S** button to save and return to liquid temperature.

If the high temperature alarm value is exceeded then TC120 will sound the buzzer intermittently and show “-Al-” on the display. The alarm can be acknowledged by pressing either the **F** or **S** buttons. However, the alarm is persistent and will trigger again if the temperature still exceeds the high temperature value. The alarm can be cancelled by following the steps above but using the dial to select “Off” in step 3 and pressing the **S** button to confirm.

**Note: the high temperature alarm will not switch off the heater.**

### 5.3.5 Selecting liquid type

The liquid type determines the limits of the set temperature range.

1. Press the **F** button four times – the display will show the current liquid type.
2. Use the main dial to select the required liquid.
3. Press the **S** button to set the liquid type and return to normal temperature display.

Selection of the liquid types below changes the settable range as follows:

Liquid	Set temperature range
H2O	0°C to 100°C
Oil	0°C to 120°C
LTL*	-25° to 50°C

\* LTL = low temperature liquid, for example 50% water/50% glycol

## 6.0 Technical specifications

### 6.1 Operating conditions

Ambient temperature range	5 to 40°C
Altitude above sea level	Up to 2,000m (6,500ft)
Operating environment	Indoor use only
Maximum relative humidity	80% RH up to 31°C decreasing to 50% RH at 40°C

### 6.2 Electrical details

Mains supply: 220-240V @ 50/60Hz or 110-120V @ 50/60Hz  
Pollution degree: 2  
Installation category: II

Mains supply voltage fluctuations are not to exceed  $\pm 10\%$  of the nominal supply voltage.

### 6.3 Product performance

	T100	T100L	TC120	TC120L
Settable temperature range	0°C to 100°C		-25°C to 120°C	
Min operating temperature	5°C to 100°C		-25°C to 120°C	
Stability (DIN 12876)	$\pm 0.05^\circ\text{C}$ *			
Uniformity (DIN 12876)	$\pm 0.1^\circ\text{C}$			
Max pump head pressure	-		210mBar (no flow)	
Max pump flow rate	-		16l/min	
Max current consumption	6.5A	12.5A	6.5A	12.5A
Heater power	1.3kW	1.4kW	1.3kW	1.4kW

\* Temperature stability may be affected ( $\pm 0.3\text{C}$ ) in the presence of strong RF fields (10V/m) at 380-400MHz. This level of interference is very unlikely and is only likely to be encountered in electrically noisy industrial locations as defined in EN61326)

EN

### 6.4 Bath accessories information

	ST5	ST12	ST18	ST26	ST38
Tank capacity (litres)	5	12	18	26	38
Liquid depth min/max (mm)	85/140	85/140	75/130	125/180	125/180

	P5	P12	P18
Tank capacity (litres)	5	12	18
Liquid depth min/max (mm)*	85/140	85/140	85/140

## 7.0 Technical Tips

---

### 7.1 Which water should you use in your bath?

For the long-term reliability of water baths it is important to use oxygenated water that is free from ions and minerals that can cause corrosion of stainless steel. We recommend the use of distilled water and de-ionised water from modern ion exchange systems that do not use salt back flushing to regenerate the ion-exchange cartridges.

Stainless steel is protected from corrosion by a layer of chromium oxide. If the layer is damaged, oxygen present in water can reform the oxide layer. If the water is still or de-oxygenated, and the oxide layer is damaged, ions can corrode the stainless steel tank. If a water bath has been unused for some time, or water boiled, we recommend changing to fresh distilled water or correct de-ionised water.

Water normally contains calcium or magnesium ions. De-ionised water has most ions removed as indicated by its conductivity level; the purer the water the lower the conductivity. It is important to use only de-ionised water from an ion exchange system with replaceable cartridges. Do not use de-ionised water generated from an ion-exchange system that incorporates a salt back-flush system to regenerate the ion-exchange resin as this can leave sodium ions that are very corrosive to stainless steel.

### 7.2 How to prevent rust in water baths

Most Grant tanks, as well as immersed parts, are made from type 304 stainless steel, an extremely versatile general purpose grade of stainless steel. It is the excellent forming characteristic that has made this grade dominant in the manufacture of laboratory and industrial water baths, as well as domestic sinks and saucepans. Type 304 stainless steel is highly suitable for applications where hygiene is important; it exhibits good heat resistance and excellent resistance to corrosion.

However, despite resistance to general surface corrosion, stainless steel is susceptible to specific types of corrosion, in particular pitting (small pin hole style corrosion) and stress corrosion cracking. It can also undergo general corrosion in specific environments, such as one containing hydrochloric or sulphuric acids.

Stainless steel is protected by its high content of alloying elements, primarily chromium and nickel. Chromium is the most important with respect to corrosion resistance, although the nickel assists in allowing the chromium to do its job. The chromium forms an oxide layer on the surface of the steel, which inhibits further oxidation. This layer adheres extremely well to the metal substrate, but it is essential that it remains intact, and must be protected from various forms of damage.

If the surface chromium oxide layer becomes damaged, oxygen present in water can partially reform the oxide layer, so it is advisable to ensure that water is always fresh and well oxygenated. Baths that will be out of use for an extended period should be emptied, and all moisture should be wiped from the bottom of the tank.

In some cases a brown layer may appear on the surface of a stainless steel tank. In most of these cases this is not rust, but it may be a surface deposit of minerals from the local water supply, or ferrous particles or salts that have fallen into the tank. These surface deposits can usually be removed by using a household cleaner such as Duraglit or Silvo metal polish.

### 7.3 How to prevent algae and bacteria

Water baths provide the ideal environment for the growth of micro-organisms. If left uncontrolled the growth of these organisms can result in a range of serious problems and health risks from pathogenic bacteria.

The growth of algae on the surface of parts will cause biofouling which can reduce performance.

Micro-organisms that produce acidic metabolic by-products can cause bio-corrosion by depolarisation of metal surfaces.

There are a number of biocides available on the market.

## 8.0 Warranty information

---

When used in laboratory conditions according to this manual, this product is guaranteed for THREE YEARS against faulty materials or workmanship.

Extended warranty for years four and five can be purchased by contacting our sales department at [labsales@grantinstruments.com](mailto:labsales@grantinstruments.com).

## 9.0 Maintenance and service

---

### 9.1 Routine maintenance

The over-temperature cut-out on the TC120 should be checked periodically by turning the over-temperature dial with a screwdriver anticlockwise until the alarm lamp comes on. The TC120 will also sound a buzzer and “Cut” will be shown on the display. The over-temperature dial should then be turned to the maximum setting without the alarm cancelling. The TC120 should be powered off and back on to confirm that the cut-out can be reset correctly. If the alarm lamp fails to light when the value indicated on the over-temperature dial is more than 10°C below the current temperature as indicated by the main display, then the unit should be checked by a competent person.

The float liquid level protection should also be checked periodically by lowering the level of liquid in the bath and noting that the unit cuts out with the top turn of the heater still immersed in the liquid. The float should also be checked periodically to ensure no limescale, dirt or debris could impede the operation at low liquid level.

When hoses are fitted to the pump they should be inspected periodically and replaced as necessary to avoid hose failure.

No other routine maintenance is required.

### 9.2 Cleaning

Clean the outside of the equipment with a damp cloth, using water only. Do not use chemical cleaning agents. Before using any other cleaning or decontamination method, check with Grant Instruments or your local representative to make sure that the proposed method will not damage the equipment. Scale on immersed parts can be removed using chemical de-scaling products designed for use on equipment that has metal parts.

EN



De-scaling products may be toxic and manufacturer's instructions should always be followed

### 9.3 Fuses

The T100 & TC120 fuses are internal and should not need to be replaced. Please contact the Grant Instruments service department if the unit has a fuse fault.

### 9.4 Replacing the mains cord

Any replacement mains cord used with the T100 or TC120 must meet the same specification as the one originally supplied with the unit to maintain the safety of the unit.

The cable must have the following markings; <HAR>, HO5VV-F 3Gx1mm<sup>2</sup> 90°C and be rated to carry 10A. The mains plug and IEC connector must carry approvals from a European certification body (e.g. BSI, VDE or equivalent).

### 9.5 Routine safety tests

If routine tests are to be made, we recommend a test of the integrity of the protective earth conductor and an insulation test at 500V DC. Routine flash tests are not recommended for any electrical equipment, because repeated high voltage tests degrade insulation materials.

### 9.6 Service

If service is required, switch off the unit and contact Grant Instruments or your local representative for repairs.

Please note, all returned units must be accompanied by a Return Materials Authorisation (RMA) number, obtainable by contacting the Grant service department (details below).

Service Department  
Grant Instruments (Cambridge) Ltd  
Shepreth  
Cambridgeshire  
SG8 6GB  
UK

Tel: +44 (0) 1763 260 811  
Fax: +44 (0) 1763 262 410  
E-mail: [labservice@grantinstruments.com](mailto:labservice@grantinstruments.com)

## 10.0 Optional accessories

---

A full listing of product accessories and options is available in the Grant Scientific Reference Catalogue (a copy of which is available upon request) and on the Grant website at [www.grantinstruments.com](http://www.grantinstruments.com).

## 11.0 Troubleshooting

Symptom	Possible cause	Action required
Display shows "Cut"	Over-temperature cut-out has operated	<p>Check the set temperature is correct and that the over-temperature cut-out temperature is set at least 5°C above the set temperature. Refer to section 5.3.1 for setting instructions.</p> <p>If the over-temperature cut-out temperature is correctly set but the unit still shows a "Cut" alarm then the unit has an internal fault and must be repaired before it is used again.</p>
Temperature does not rise when expected	<p>Set temp is lower than liquid temp</p> <p>Set temperature is too close to ambient</p>	<p>Check that the bath set temperature is correct (see section 5.2.3).</p> <p>Increase the set temperature (see section 5.2.3) or fit accessory cooling (see section 4.8).</p>
Temp continues to rise when not expected	Set temp is higher than liquid temp	Check that the bath set temperature is correct (see section 5.2.3).
Alarm light on	<p>Over-temperature cut-out has operated</p> <p>Low liquid level float switch has operated</p>	<p>Check the over-temperature cut-out is set appropriately (see section 5.3.1).</p> <p>Check that the liquid level in the bath is adequate (see section 6.4 for minimum fill levels).</p>
Set temperature too restricted	Liquid type set does not allow required set point	Change to different liquid type (see section 5.3.5).
Display shows "Flot"	Liquid level has dropped below minimum level	Check that the liquid level in the bath is adequate (see section 6.4 for minimum fill levels).
Display shows "-Al-"	High temperature warning alarm has tripped	<p>Check that the bath set temperature is correct (see section 5.2.3).</p> <p>Check that high temperature alarm is correct (section 5.3.4).</p> <p>Check that the liquid level in the bath is adequate (see section 6.4 for minimum fill levels).</p>
Display shows "Er H"	Incorrect calibration value	The high temperature calibration point is less than 40°C above the low calibration point – choose a higher temperature (see section 5.2.6).
Display shows "Er L"	Incorrect calibration value	The low temperature calibration point is less than 40°C below the high calibration point – choose a lower temperature (see section 5.2.6).
Display shows "Er d"	Incorrect calibration value	The calibration value is greater than 10°C from the set point – check thermometer reading and set point (see section 5.2.6).

EN

Display shows "Open"	Faulty temperature probe	Have a competent person check the probe for an open circuit fault or contact Grant.
Display shows "Shrt"	Faulty temperature probe	Have a competent person check the probe for a short circuit fault or contact Grant.
Unit showing erratic temperatures	Calibration values not set correctly	Restore the factory calibration settings (see section 5.2.7) then re-calibrate if required (see section 5.2.6).
Display shows "Hot"	Heating water at or near to boiling without lid	Add a lid to reduce thermal losses and leave unit running with the "Hot" warning present. If the alarm has not cleared within 1 hour contact Grant.
	Heating very large volumes of liquid with large thermal losses	Add measures to reduce thermal losses and leave unit running with the "Hot" warning present. If the alarm has not cleared within 1 hour contact Grant.
Display shows "Fuse"	Faulty fuse(s)	Have a competent person check the internal fuses or contact Grant.
Display shows "Crct"	PCB fault	Have a competent person check the product or contact Grant.
Display shows "Self"	Safety relay fault	Have a competent person check the product or contact Grant.
Stirrer motor not rotating	Stirring propeller or pump impeller is obstructed	Clear obstruction.
	Faulty motor	Have a competent person check the motor or contact Grant.
Display shows "Cold"	Accidentally entered manufacturer reset mode	Warning can be cleared by pressing <b>S</b> button, but note that all settings (including any factory calibration) will be reset to the default values. Contact Grant Instruments service department for assistance if required.

For any other errors or service requests, please contact Grant Instruments service department.



## 12.0 Contact Grant Instruments

---

At Grant we are continuously trying to improve the performance we offer our customers. If you have any feedback on Grant's products or services we would like to hear from you. Please send all feedback to:

Quality Manager  
Grant Instruments (Cambridge) Ltd  
Shepreth  
Cambridgeshire  
SG8 6GB  
UK

Tel: +44 (0) 1763 260 811  
Fax: +44 (0) 1763 262 410  
E-mail: [feedback@grantinstruments.com](mailto:feedback@grantinstruments.com)

## 13.0 Compliance

---

### WEEE directive

Grant Instruments complies fully with the Waste Electrical & Electronic Equipment (WEEE) regulations 2006. We are a member of the B2B compliance scheme (Scheme Approval Number WEE/MP3338PT/SCH), which handle our WEEE obligations on our behalf. Grant Instruments have been issued with a unique registration number by the Environmental Agency, this reference number is WEE/GA0048TZ.

For information regarding WEEE collections in the UK please contact our B2B Compliance Scheme directly on 01691 676 124.  
For other countries please contact your equipment supplier.

For General WEEE information please visit: [www.b2bcompliance.org.uk](http://www.b2bcompliance.org.uk)

### RoHS directive

All the products covered by this manual comply with the requirements of the RoHS Directive (Directive 2002/95/EC).

### Electrical safety and electromagnetic compatibility

All the products covered by this manual comply with the requirements of the Low Voltage Directive (2006/95/EC) for electrical safety and the EMC directive (2004/108/EC) for electromagnetic compatibility. See the Declaration of Conformity on the inside back page.

EN

**Grant Instruments**, dont le siège se situe près de Cambridge en Angleterre, figure parmi les leaders mondiaux du secteur de la conception et de la fabrication d'équipements pour la préparation d'échantillons, les analyses scientifiques, l'acquisition et l'analyse de données, offrant des solutions aux marchés scientifiques et industriels mondiaux.

#### **Respect des normes et de la qualité.**

La marque et la réputation de Grant sont fondées sur la qualité, la fiabilité et l'exactitude. Nous vérifions que nos produits satisfont strictement à toutes les normes de sécurité internationales.

Nous prêtons une attention particulière aux tests de sécurité des produits et demeurons en première ligne pour l'homologation des équipements de laboratoire selon les normes CEI 61010-1. La société est soucieuse d'exploiter son laboratoire de tests de sécurité conformément aux exigences de la norme ISO 17025.

Grant dispose d'un système de gestion de la qualité conforme aux exigences de la norme BS EN ISO 9001:2008.

Outre le respect des normes, Grant Instruments se fait un devoir d'améliorer continuellement tous les aspects de son activité, en mettant notamment l'accent sur l'écoute des clients et des fournisseurs, et en concevant des systèmes et des services qui répondent à leurs besoins.

Si vous avez des remarques concernant les produits ou les services de Grant, nous serons heureux d'en prendre connaissance. Merci d'adresser vos commentaires à :

Quality Manager  
Grant Instruments (Cambridge) Ltd  
Shepreth  
Cambridgeshire  
SG8 6GB  
ROYAUME-UNI

Tél. : +44 (0) 1763 260 811  
Fax : +44 (0) 1763 262 410  
E-mail: [feedback@grantinstruments.com](mailto:feedback@grantinstruments.com)

## Sommaire

---

Sommaire	2
1.0 Utilisation des produits	4
2.0 Mode d'emploi du présent manuel	4
3.0 Informations relatives à la sécurité	5
3.1 Normes de sécurité	5
3.2 Symboles de sécurité	5
3.3 Avertissements relatifs à la sécurité	5
4.0 Instructions d'utilisation	6
4.1 Instructions de déballage	6
4.2 Installation d'un thermostat sur les bains ST	6
4.3 Installation d'un thermostat sur les bains P	7
4.4 Installation d'un thermostat sur les bains génériques	7
4.5 Retrait du thermostat de la plaque de pontage	8
4.6 Liquides recommandés	8
4.7 Installation	9
4.8 Alimentation électrique	9
4.9 Utilisation d'un dispositif de refroidissement (C1G, C2G, CW5)	9
5.0 Procédures de fonctionnement	10
5.1 Fonctionnement	10
5.1.1 Niveau de liquide	10
5.1.2 Fonctionnement au-dessus de 60 °C	10
5.1.3 Fonctionnement à basses températures	10
5.1.4 Utilisation de la pompe (modèle TC120 uniquement)	10
5.1.5 Vidange des bains	11
5.1.6 Réglage et mise en marche	11
5.2 Utilisation du thermostat T100 et TC120	12
5.2.1 Description de l'appareil	12
5.2.2 Témoins lumineux	12
5.2.3 Réglage de la température	13
5.2.4 Configuration d'un pré-réglage de bain	13
5.2.5 Exécution d'un bain pré-réglé	13
5.2.6 Réalisation d'un étalonnage	14
5.2.7 Restauration des paramètres d'étalonnage d'usine	15
5.2.8 Réglage de la luminosité de l'affichage	15
5.3 Autres caractéristiques du thermostat TC120	16
5.3.1 Réglage du thermostat de surchauffe	16
5.3.2 Réglage d'une minuterie avec compte à rebours	16
5.3.3 Annulation de la minuterie	17
5.3.4 Réglage d'une alarme de haute température	17
5.3.5 Sélection du type de liquide	17
6.0 Caractéristiques techniques	18
6.1 Conditions d'utilisation	18
6.2 Caractéristiques électriques	18
6.3 Performance du produit	18
6.4 Informations relatives aux accessoires de bain	18
7.0 Conseils techniques	19
7.1 Quelle eau utiliser dans le bain ?	19
7.2 Comment empêcher les bains à eau de rouiller	19
7.3 Comment éviter les algues et les bactéries ?	20
8.0 Garantie	20
9.0 Entretien et réparation	20
9.1 Entretien systématique	20
9.2 Nettoyage	20

9.3	Fusibles	21
9.4	Remplacement des cordons d'alimentation secteur	21
9.5	Tests de sécurité systématiques	21
9.6	Réparation	21
10.0	Accessoires en option	21
11.0	Recherche de panne	22
12.0	Contacter Grant Instruments	24
13.0	Conformité	24

DOMINIQUE DUTSCHER SAS

## 1.0 Utilisation des produits

---

Le présent manuel d'utilisation couvre les produits suivants :

- T100 et T100L
- TC120 et TC120L

Ces produits sont des thermostats à immersion, à usage général, conçus pour être utilisés avec des bains et des circulateurs en laboratoire par des utilisateurs professionnels.

## 2,0 Mode d'emploi du présent manuel

---

Ce manuel d'utilisation permet de déballer, d'installer et d'utiliser correctement et en toute sécurité les thermostats à immersion pré-cités. Les informations de sécurité importantes, les symboles et les avertissements sont indiqués ci-après et doivent être consultés avec attention. Le chapitre 4 vous informe sur la procédure correcte de déballage et d'installation du produit. Le chapitre 5 fournit des informations concernant le fonctionnement des modèles T100 et TC120. Les spécifications et conseils techniques des produits sont indiqués aux chapitres 6 et 7. Ce produit dispose d'une garantie de TROIS ANS (détaillée au chapitre 8). Un formulaire en ligne d'enregistrement de la garantie doit être rempli sur le site [www.grantinstruments.com](http://www.grantinstruments.com).

Pour toute questions à caractère technique ou autre qui ne trouverait pas de réponse dans le présent manuel, n'hésitez pas à contacter Grant Instruments ou votre distributeur local qui sera en mesure de vous apporter toute information complémentaire.

Le guide de démarrage rapide fourni avec les thermostats à immersion consiste uniquement en une référence rapide ; il ne doit pas être utilisé sans lecture intégrale préalable du présent manuel d'utilisation.

FR

## 3.0 Informations relatives à la sécurité

---

### 3.1 Normes de sécurité

Les thermostats à immersion GRANT sont conformes aux exigences de la norme de sécurité internationale CEI 61010 concernant les normes de sécurité de l'équipement électrique pour la mesure, la régulation et l'utilisation en laboratoire. Ils respectent également les normes nationales équivalentes, notamment :

EN 61010-2-010  
UL 61010A-2-010  
CAN/CSA-C22.2 NO. 61010-2-010-04.

### 3.2 Symboles de sécurité

Les symboles ci-dessous figurent sur l'équipement, comme dans le présent manuel, pour indiquer :



Attention : les surfaces et les liquides conducteurs de chaleur peuvent être chauds pendant et après une procédure.



Lisez ce manuel avant d'utiliser le bain.



Avertissement important relatif à la sécurité.

### 3.3 Avertissements relatifs à la sécurité



Lisez attentivement l'intégralité de ces instructions dont le non-respect peut compromettre la sécurité.



L'eau est le seul liquide autorisé à être utilisé avec le modèle T100.



Utilisez uniquement les liquides indiqués dans les instructions d'utilisation, dans les limites des plages de températures spécifiées. Si le témoin d'alarme est allumé, la température du liquide peut être supérieure au maximum recommandé. N'inhalez pas les vapeurs dégagées, qui peuvent être toxiques. Les liquides doivent être éliminés de façon sécuritaire, puis remplacés.



N'utilisez pas le modèle T100/TC120 avec des liquides inflammables conducteurs de chaleur.



N'utilisez pas le modèle T100/TC120 pour chauffer une quelconque matière susceptible de provoquer un incendie ou toute autre catastrophe.



N'utilisez pas l'équipement dans une zone abritant des mélanges chimiques agressifs ou explosifs.



En cas de renversement d'un liquide potentiellement dangereux sur ou dans l'équipement, débranchez ce dernier de l'alimentation électrique et faites-le vérifier par une personne qualifiée.



Il incombe à l'utilisateur d'effectuer la décontamination appropriée lorsqu'un produit dangereux est renversé sur l'équipement.



Si le témoin d'alarme est allumé, ne touchez pas le liquide la base de la cuve, qui peuvent être extrêmement chauds. Remplissez avec précaution, car l'eau chaude peut provoquer des éclaboussures de gouttelettes extrêmement chaudes et de vapeur brûlante.



Ne touchez pas les surfaces chauffantes pendant le fonctionnement à haute température.

## 4.0 Instructions d'utilisation

### 4.1 Instructions de déballage

L'équipement standard comprend :

- un thermostat à immersion (T100 ou TC120)
- des plaques de sortie de pompe (modèle TC120 uniquement)
- un cordon d'alimentation secteur avec fiche
- un manuel d'utilisation
- un guide de démarrage rapide.

Les accessoires des bain ST comprennent :

- un bain en acier inoxydable
- une plaque de pontage
- un plateau de circulation (modèles ST18, ST26 et ST38 uniquement).

Les accessoires des bains P comprennent :

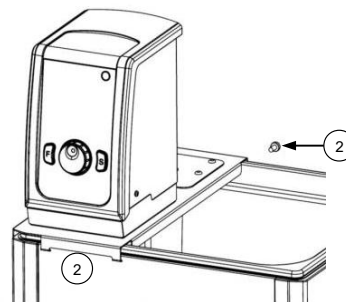
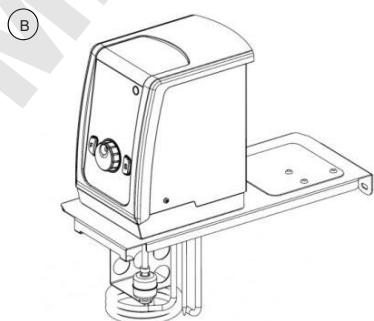
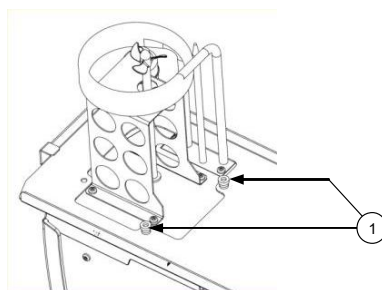
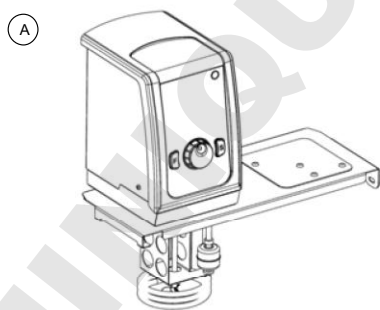
- un bain en plastique
- une plaque de pontage.

Retirez l'emballage avec soin, et conservez-le pour une expédition ou un stockage ultérieur(e) de l'équipement.

### 4.2 Installation d'un thermostat sur les bains ST

Le thermostat T100/TC120 peut être installé sur les bains en acier inoxydable ST5, ST12, ST18, ST26 et ST38 selon deux orientations pratiques : commandes sur le côté intérieur du bain (A) ou sur le côté extérieur (B). Procédez comme suit :

1. Introduisez le thermostat T100/TC120 dans l'ouverture de la plaque de pontage et alignez-le sur les vis filetées. Utilisez les écrous de serrage pour fixer l'ensemble manuellement (n'utilisez pas d'outils).
2. Installez cet ensemble au niveau des ouvertures sur les rebords d'un bain ST et sécurisez-le en utilisant les vis fournies pour ancrer l'ensemble à l'arrière du bain.



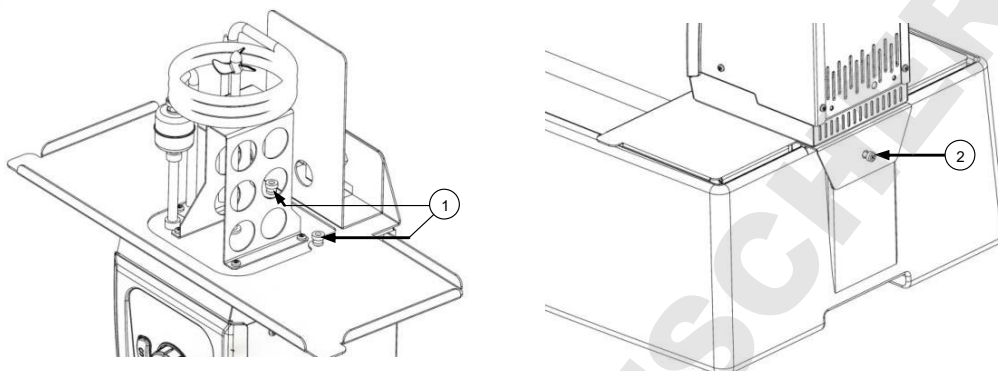
FR

Fixez le plateau de circulation à la base de la cuve, la grande découpe du plateau sous le panneau de commande (modèles ST18, ST26 et ST38 uniquement).

#### 4.3 Installation d'un thermostat sur les bains P

Le thermostat T100/TC120 peut être installé sur les bains en plastique P5, P12 et P18 comme suit :

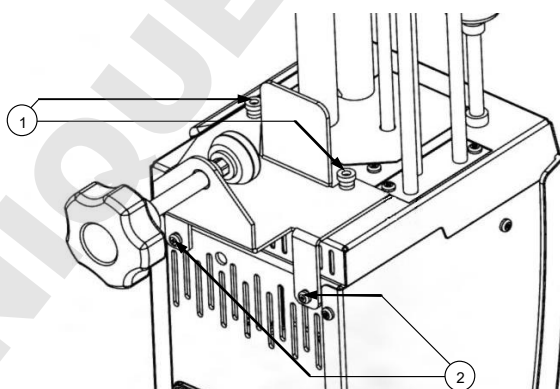
1. Introduisez le thermostat T100/TC120 dans l'ouverture de la plaque de pontage et alignez-le sur les vis filetées. Utilisez les écrous de serrage pour fixer l'ensemble manuellement (n'utilisez pas d'outils).
2. Installez cet ensemble sur les rebords d'un bain P et sécurisez-le en utilisant les vis fournies pour ancrer l'ensemble à l'arrière du bain.



#### 4.4 Installation d'un thermostat sur les bains génériques

Un dispositif de serrage peut être placé sur le thermostat T100/TC120 pour permettre l'installation de ce dernier sur un bain non-Grant ou un récipient dont la paroi excède 30 mm. Placez le dispositif de serrage sur le thermostat T100/TC120 comme suit :

1. Placez le dispositif de serrage sur les vis filetées à la base du thermostat T100/TC120. Utilisez les écrous de serrage pour fixer l'ensemble manuellement (n'utilisez pas d'outils).
2. Utilisez les vis fournies pour ancrer le dispositif de serrage à l'arrière du thermostat T100/TC120.



Veillez à ne pas visser le dispositif de serrage excessivement pour éviter de le détériorer ou de détériorer le récipient.



Le récipient contenant des liquides sur lequel l'unité est montée doit présenter la résistance mécanique, chimique et thermique requise.

Le dispositif de serrage ne doit pas être lavé dans un lave-vaisselle ni nettoyé à l'aide d'un détartrant. La tige filetée du dispositif de serrage ne doit pas être immergée. Après nettoyage, la tige filetée et le dispositif de serrage doivent impérativement être séchés. La partie filetée peut être lubrifiée à l'aide d'une petite quantité d'huile pour machine à coudre.



#### 4.5 Retrait du thermostat de la plaque de pontage

Laissez le liquide refroidir avant de retirer le thermostat T100/TC120 de la plaque de pontage. Retirez soigneusement l'ensemble thermostat T100/TC120 et plaque de pontage du bain ou du récipient. Faites attention : la petite quantité de liquide accumulée dans la pompe fuit lors du maniement de l'unité. Dévissez les écrous de serrage et déposez la plaque de pontage. Vissez les écrous de serrage sur les tiges filetées pour éviter de les égarer.

#### 4.6 Liquides recommandés

Le tableau ci-dessous liste les liquides recommandés avec les différentes plages de températures correspondantes. Vérifiez systématiquement que le liquide utilisé est approprié et utilisable en toute sécurité pour la température de fonctionnement de l'unité. Si des liquides conducteurs de chaleur non recommandés sont utilisés, il incombe à l'utilisateur de procéder à une recherche pour s'assurer que les liquides en question sont compatibles avec le thermostat T100/TC120 et le récipient.



Pour assurer une protection, le coupe-circuit de surchauffe doit être réglé de manière appropriée en fonction du liquide conducteur de chaleur sélectionné (consultez le tableau).



Si vous devez utiliser des liquides conducteurs de chaleur non recommandés, il vous faudra régler le coupe-circuit de surchauffe à une valeur inférieure ou égale à 25°C en dessous de la valeur du point d'inflammation du liquide. Si vous avez des doutes, n'hésitez pas à contacter l'équipe du support technique de Grant.



Utilisez l'extraction des fumées lors de l'utilisation des silicone liquides à des températures élevées

Plage de températures	Liquide recommandé	Réglage du coupe-circuit de surchauffe	Directives
-30°C à 30°C	50 % d'eau, 50 % d'antigel (éthylène glycol inhibé)	40°C	AVERTISSEMENT : L'éthylène glycol est toxique – suivez les instructions du fabricant.
0°C à 30°C	80 % d'eau, 20 % d'antigel (éthylène glycol inhibé)	40°C	Pour une mise au rebut appropriée, respectez les réglementations locales en vigueur. Utilisez un couvercle pour réduire la dilution du mélange provoquée par la condensation de la vapeur d'eau dans l'air, et pour maintenir un taux de refroidissement bas.
5°C à 99,9°C	Eau*	110°C	L'eau peut être utilisée, mais avec prudence lorsque sa température excède 60°C – la vapeur d'eau représentant un danger potentiel. Utilisez un couvercle ou des sphères en polypropylène au-dessus de 60°C pour assurer de bons résultats et réduire l'évaporation. Aux températures avoisinant 99°C, la performance thermique sera affectée en raison d'une ébullition localisée. Les unités ne doivent pas être utilisées pour faire bouillir de l'eau.
70°C à 120°C	Silicone liquide Viscosité ~20 cST Point d'éclair $\geq$ 230°C Point d'inflammation $\geq$ 280°C	130°C	Le silicone liquide Dow Corning DC200/20 est approprié – suivez les instructions du fabricant. Pour une mise au rebut appropriée, respectez les réglementations locales en vigueur.

\* Consultez le chapitre 7.1 pour obtenir des informations plus détaillées.

FR

## 4.7 Installation



Placez le bain à eau sur une surface plane ignifuge. Assurez-vous que la prise d'alimentation et l'interrupteur situé à l'arrière de l'unité sont aisément accessibles.



Si l'équipement a été transporté ou stocké dans des conditions de froid ou d'humidité, de la condensation peut se former à l'intérieur. Dans ce cas, laissez la condensation s'évaporer pendant 2 heures au moins à température ambiante avant d'utiliser l'équipement.



Ne bloquez pas et ne bouchez pas les fentes d'aération.

## 4.8 Alimentation électrique



Vérifiez que la tension d'alimentation indiquée sur l'étiquette du numéro de série et le type de fiche électrique sont adaptés à votre alimentation secteur, qui doit être équipée d'une broche de terre.

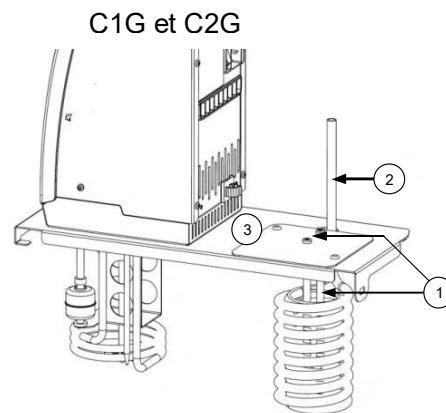
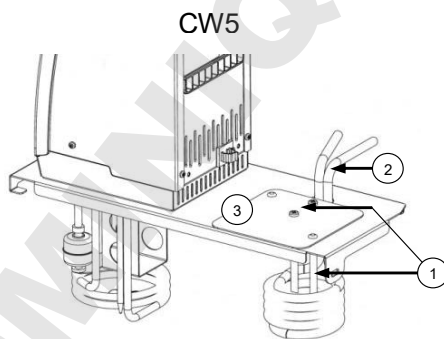


Le thermostat T100/TC120 doit être uniquement raccordé à l'alimentation secteur par le biais du cordon d'alimentation fourni ou de tout autre cordon doté de caractéristiques similaires (consultez le chapitre 9.4)

## 4.9 Utilisation d'un dispositif de refroidissement (C1G, C2G, CW5)

L'utilisation d'un dispositif de refroidissement s'avère indispensable lorsque la température de fonctionnement est inférieure à la température ambiante. Des refroidisseurs par trempage (C1G et C2G) peuvent être utilisés pour des procédures jusqu'à -15°C. Un serpentin de refroidissement d'eau (CW5) peut être utilisé pour des procédures à, ou avoisinant, la température ambiante. Les serpentins peuvent être installés comme suit :

1. Fixez la tige d'installation du serpentin en forme de U à la plaque du couvercle à l'aide des 2 écrous de serrage fournis.
2. Placez le serpentin de refroidissement à travers les ouvertures de la plaques en alignant les tuyaux de sortie sur l'ouverture pratiquée à cet effet.
3. Installez la plaque du couvercle sur la plaque de pontage et sécurisez-la à l'aide des écrous fournis. La tige d'installation du serpentin doit être en contact étroit avec l'intérieur du serpentin pour lui conférer un support rigide. Avant la procédure, assurez-vous que le serpentin est maintenu d'une manière adéquate et sécuritaire.



## 5.0 Procédures de fonctionnement

### 5.1 Fonctionnement

#### 5.1.1 Niveau de liquide

Les niveaux de liquide minimal et maximal des bains Grant sont définis au chapitre 6.4. Le niveau de liquide doit impérativement être maintenu dans les limites de ces plages. Ces critères de niveau s'appliquent aussi bien lorsque le bain est vide de flacons que lorsqu'il en contient une quantité maximale. Si vous utilisez des liquides susceptibles de s'évaporer, une vérification du niveau de liquide ainsi qu'un remplissage périodiques s'imposent. Le contacteur du flotteur de détection de niveau de liquide insuffisant active une alarme si le niveau de liquide descend en dessous du niveau minimal requis ; le chauffage de l'unité est éteint et le contrôle thermique arrêté.

#### 5.1.2 Fonctionnement au-dessus de 60 °C

Au-dessus de 60°C, un couvercle ou des sphères en polypropylène doivent être utilisés pour maintenir le contrôle thermique et permettre au bain d'atteindre la valeur de consigne de la température du liquide. Ainsi, en prévenant une évaporation excessive, l'énergie est économisée et la fréquence de remplissage du bain réduite. Par mesure de précaution, le thermostat T100/TC120 peut afficher l'avertissement « Chaud » si un couvercle ou des sphères en polypropylène ne sont pas utilisés et que de l'eau est portée au point d'ébullition (ou approchant celui-ci) sur une durée de temps étendue ou que de grands volumes de liquides sont chauffés en entraînant une perte thermique importante. Consultez le chapitre 11 pour de plus amples détails.

Des précautions doivent être prises pour s'assurer que les orifices d'aération arrière sont bien dégagés et pour minimiser la pénétration de vapeur ou de fumées lorsque l'appareil fonctionne avec de l'eau portée au point d'ébullition (ou approchant celui-ci) ou avec d'autres liquides qui s'évaporent.



Faites preuve de prudence lorsque vous soulevez et retirez le couvercle, qui peut être chaud. Les vapeurs peuvent provoquer des brûlures.

#### 5.1.3 Fonctionnement à basses températures

L'utilisation d'un dispositif de refroidissement est indispensable lorsque la température de fonctionnement est inférieure ou égale à la température ambiante. La température de fonctionnement minimale sans dispositif de refroidissement dépend de la capacité volumique du bain. La température de fonctionnement minimale des bains de petite capacité (P5 et ST5) est de 10°C environ au-dessus de la température ambiante sans couvercle, et de 15°C environ au-dessus de la température ambiante avec couvercle. Des bains d'une capacité volumique différente peuvent être utilisés à des températures de 5°C au-dessus de la température ambiante.

#### 5.1.4 Utilisation de la pompe (modèle TC120 uniquement)

Le modèle TC120 permet le pompage d'un liquide dans un système externe fermé (non-ouvert à l'atmosphère). Il peut être utilisé pour la circulation de liquides à travers un réservoir externe ouvert uniquement si une conduite de retour d'alimentation par gravité est présente. Une évaluation de tout système ouvert s'impose pour s'assurer que les niveaux de liquides sont stables pendant que l'appareil fonctionne, et pour écarter tout risque de fonctionnement à sec ou de débordement du réservoir. La pompe est installée à l'aide d'une plaque de clamping (fixation standard). Installez une plaque de raccordement de pompe comme indiqué ci-dessous. Remarque : les plaques de clamping/raccordement sont dotées d'une ouverture (repère A, schéma ci-dessous) pour faciliter l'alignement avec le corps de la pompe. Il importe de vérifier que l'ouverture est alignée avec les tiges de fixation correspondantes (repère B, schéma ci-dessous) sur le corps de la pompe. Le non-respect de cette recommandation entraînera des fuites au niveau du raccordement. Conservez la plaque de clamping de la pompe pour la remonter lorsque la pompe n'est pas requise.

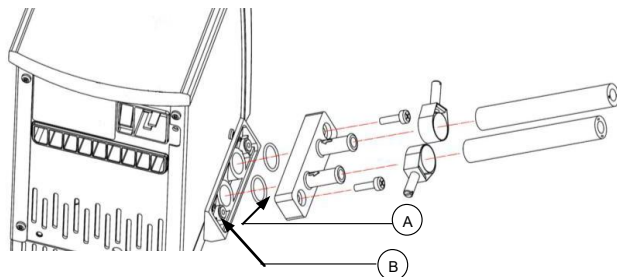


Utilisez toujours des connecteurs et des tuyaux de pompe appropriés pour la température de fonctionnement et le liquide utilisés. Vérifiez que les raccordements des tuyaux sont adéquats.

FR



Ne débranchez jamais de conduites ou de tuyaux contenant un liquide très chaud ou très froid, ou lorsque l'unité TC120 effectue le pompage.



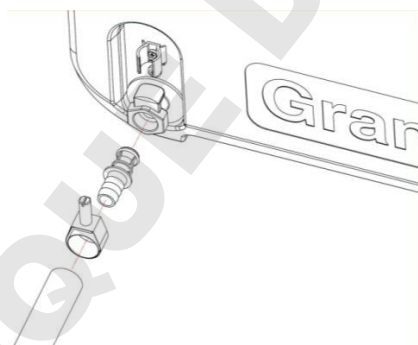
Le pompage de liquides conducteurs de chaleur circulant dans un système externe peut induire des risques sécuritaires hors du contrôle de Grant Instruments. L'utilisateur doit impérativement procéder à une estimation des risques inhérents à l'installation de l'équipement dans son ensemble pour s'assurer que des matériaux de capacité adéquate ont été utilisés et que le système peut être employé en toute sécurité.

### 5.1.5 Vidange des bains

Les bains ST12, ST18, ST26 et ST38 doivent être vidangés (vidés) en toute sécurité avant d'être déplacés. Pour faciliter cette tâche, les bains disposent d'un robinet de vidange.

Laissez la température du liquide descendre à un niveau sûr avant de procéder à la vidange. Attention : toute vidange à une température excédant 50°C endommagera le mécanisme de drainage qui devra être remplacé. Prenez les précautions nécessaires pour éviter un renversement accidentel.

Videz le bain en introduisant l'insert de vidange fourni dans le robinet de vidange, comme indiqué dans le schéma ci-dessous. Notez que le bain commence à se vider dès que l'insert de drainage est complètement enclenché. Une longueur de tuyau peut être ajoutée à l'extrémité crantée de l'insert si nécessaire.



### 5.1.6 Réglage et mise en marche

Branchez le thermostat T100/TC120 à une alimentation électrique (raccordée à la terre) dont la tension et la fréquence se situent dans la plage indiquée sur la plaque signalétique.

Installez le thermostat T100/TC120 en toute sécurité sur le bain ou sur un récipient. Versez dans le bain une quantité de liquide appropriée (supérieure ou égale au niveau minimal recommandé) de sorte que l'interrupteur de niveau insuffisant de liquide soit entièrement relevé.

Mettez le thermostat T100/TC120 en marche à l'aide de l'interrupteur de mise sous tension situé à l'arrière de l'unité. Le moteur est activé immédiatement et le signal sonore retentit quand l'unité démarre. Pendant le démarrage, l'affichage indique le modèle de thermostat utilisé, puis la version logicielle, et enfin la température du liquide actuel. Le thermostat T100/TC120 est maintenant prêt à l'emploi.

Pour débrancher l'équipement de l'alimentation secteur, débranchez sa fiche de la prise de l'alimentation secteur.

## 5.2 Utilisation du thermostat T100 et TC120

### 5.2.1 Description de l'appareil



### 5.2.2 Témoins lumineux

Le thermostat T100/TC120 dispose de 2 témoins lumineux :

- Témoin orange : chauffage en marche
- Témoin rouge : alarme !

Le témoin d'alarme indique les anomalies suivantes :

- L'interrupteur du flotteur s'est activé en détectant un niveau de liquide insuffisant
- Le coupe-circuit de surchauffe (sur-température) s'est déclenché
- La sonde thermique est défectueuse.

Le motif de l'alarme est également indiqué dans la fenêtre d'affichage.

L'affichage indique normalement la température du liquide traité en degré Celsius (°C).

Le bouton **S** (Sélection) permet de sélectionner et d'enregistrer (memoriser) des valeurs de température ; le bouton **F** (Fonction) permet d'accéder aux options du menu et d'annuler des fonctions.

Le bouton principal, c.-à-d. le bouton rotatif de réglage de température, permet de changer les valeurs de température et les autres paramètres réglables.

FR

### 5.2.3 Réglage de la température

La température du liquide d'un bain peut être définie à l'aide du bouton **S**.

1. Lorsque l'affichage indique la température du bain, appuyez sur le bouton **S**.  
L'affichage commence alors à clignoter, ce qui indique qu'il peut être réglé.
2. Utilisez le bouton rotatif principal pour régler l'unité sur la température désirée.  
*Si vous n'appuyez pas sur une touche pendant 10 secondes, l'affichage revient à la température du bain et le réglage de la température demeure à sa valeur originale.*
3. Appuyez sur le bouton **S** pour enregistrer (memoriser) la valeur requise ; l'affichage revient à la température du bain.  
*Si la température sélectionnée est supérieure à la température du bain actuelle, le témoin de chauffage s'allume.*

### 5.2.4 Configuration d'un pré-réglage de bain

Chaque bain comporte trois pré-réglages, dont les valeurs peuvent être définies à des températures différentes et qui permettent d'obtenir facilement un bain aux températures fréquemment utilisées. La méthode suivante vous permet de configurer le pré-réglage 1 ; les autres pré-réglages sont réglables de manière identique.

Sachez qu'un pré-réglage enregistré de la façon indiquée ci-dessous démarrera automatiquement, une fois toutes les étapes achevées.

1. Appuyez sur le bouton **F** et tournez-le jusqu'à ce que « t-1 » s'affiche.  
*L'affichage alterne alors entre le numéro et la température du pré-réglage.*
2. Appuyez sur le bouton **S** pour sélectionner le pré-réglage.
3. Utilisez le bouton rotatif pour définir une température de pré-réglage.  
*Si vous n'appuyez pas sur une touche pendant 10 secondes, l'affichage revient à la température du bain et la température du pré-réglage demeure à sa valeur originale.*
4. Appuyez sur le bouton **S** pour enregistrer la température du pré-réglage.  
*Le pré-réglage démarrera automatiquement une fois la valeur enregistrée.*

Les températures des pré-réglages et les températures définies varient en fonction du type (modèle) de thermostat et du liquide sélectionné. La plage de températures du modèle T100 se situe entre 0 et 100°C ; celle du modèle TC120, plus étendue, se situe entre -25°C et 120°C. Les paramètres des pré-réglages d'usine sont indiqués dans le tableau ci-dessous.

Pré-réglage	Température définie
t-1	37°C
t-2	56°C
t-3	72°C

### 5.2.5 Exécution d'un bain pré-réglé

1. Appuyez sur le bouton **F** et tournez-le jusqu'à ce que le pré-réglage approprié s'affiche.
2. Appuyez sur le bouton **S** pour sélectionner le pré-réglage.
3. Appuyez sur le bouton **S** pour définir le bain sur la température de pré-réglage.

## 5.2.6 Réalisation d'un étalonnage

Les thermostats T100 et TC120 permettent de réaliser un étalonnage en 2 points. Le menu d'étalonnage est accessible en appuyant simultanément sur les boutons **F** et **S** pendant environ 5 secondes.

Les températures d'étalonnage sont soumises aux limites de température du type de liquide. L'étalonnage doit être réalisé à l'aide d'un thermomètre de référence à la traçabilité garantie, doté d'une précision minimale de 0,1°C. Ce thermomètre doit être placé de façon sécurisée au centre du bain ou du récipient.

L'étalonnage du T100/TC120 s'effectue en deux temps : décalage de basse température et décalage de haute température. L'étalonnage au point de haute température doit être supérieur de 40°C au minimum par rapport au point de basse température.

Les points d'étalonnage doivent être choisis aux températures critiques pour l'analyse où la précision est importante, ou aux limites extrêmes des plages de températures utilisées.

Si seul le point d'étalonnage de basse température est défini, l'étalonnage sera réalisé entre ce point et 100°C, avec un décalage de température diminuant de façon linéaire. Si seul le point d'étalonnage de haute température est défini, l'étalonnage sera réalisé entre ce point et 0°C, avec un décalage de température diminuant de façon linéaire.

Si la valeur du thermomètre est saisie avant que l'unité soit entièrement stable, l'étalonnage risque d'être non fiable et les mesures de température incorrectes. Si le thermostat T100/TC120 et le thermomètre ne coïncident plus à l'issue de l'étalonnage, l'étalonnage n'a probablement pas réussi ; l'unité doit être réinitialisée.

### Réglage du décalage de la basse température

1. Ajustez la température définie au point d'étalonnage de basse température requis.
2. Laissez l'unité se stabiliser pendant au moins 5 minutes après avoir atteint une température stable.
3. Mesurez la température du liquide en plaçant un thermomètre de référence au centre du bain.
4. Appuyez sur les boutons **F** et **S** simultanément pendant 5 secondes environ jusqu'à ce que « LCAL » s'affiche.
5. Appuyez sur le bouton **S** pour effectuer une sélection.
6. Utilisez le bouton rotatif principal pour mettre à jour l'affichage et faire apparaître la température du thermomètre de référence.
7. Appuyez sur le bouton **S** pour enregistrer la température.  
*Appuyez sur le bouton F pour annuler l'étalonnage.*
8. Appuyez sur le bouton **F** pour faire revenir l'affichage à la température du liquide.

### Réglage du décalage de la haute température

1. Ajustez la température définie au point d'étalonnage de haute température requis.
2. Laissez l'unité se stabiliser pendant au moins 5 minutes après avoir atteint une température stable.
3. Mesurez la température du liquide en plaçant un thermomètre de référence au centre du bain.
4. Appuyez sur les boutons **F** et **S** simultanément pendant 5 secondes environ jusqu'à ce que « LCAL » (Étalonnage temp. basse) s'affiche.
5. Tournez le bouton rotatif jusqu'à ce que l'affichage indique « HCAL » (Étalonnage temp. haute), puis appuyez sur le bouton **S**.
6. Utilisez le bouton rotatif principal pour mettre à jour l'affichage et faire apparaître la température du thermomètre de référence.
7. Appuyez sur le bouton **S** pour enregistrer la température.  
*Appuyez sur le bouton F pour annuler l'étalonnage.*

FR

### 5.2.7 Restauration des paramètres d'étalonnage d'usine

La fonction de restauration de l'étalonnage d'usine (rST) permet de réinitialiser les paramètres de l'unité si un problème survient pendant l'étalonnage ou si vous souhaitez annuler un ou plusieurs paramètres d'étalonnage.

1. Appuyez sur les boutons **F** et **S** simultanément pendant 5 secondes environ jusqu'à ce que « LCAL » s'affiche.
2. Tournez le bouton rotatif jusqu'à ce que l'affichage indique « rST », puis appuyez sur le bouton de sélection **S**.
3. Appuyez sur le bouton **S** 4 fois (la fenêtre d'affichage indique « Con.3 », « Con.2 », « Con.1 » et le signal sonore retentit pour confirmer la restauration des paramètres d'étalonnage d'usine.

### 5.2.8 Réglage de la luminosité de l'affichage

La luminosité de l'affichage peut être réglée dans les limites d'une plage située entre 20 et 100 %, selon les besoins.

1. Appuyez sur les boutons **F** et **S** simultanément pendant 5 secondes environ jusqu'à ce que « LCAL » s'affiche.
2. Tournez le bouton rotatif jusqu'à ce que l'affichage indique « disP » (Affichage), puis appuyez sur le bouton de sélection **S**.
3. Tournez le bouton rotatif pour naviguer entre les réglages et sélectionner la luminosité requise.

*Les valeurs affichées indiquent la luminosité de l'affichage.*

4. Appuyez sur le bouton **S** pour enregistrer la valeur.
5. Appuyez sur le bouton **F** pour revenir à l'affichage de température habituel.



## 5,3 Autres caractéristiques du thermostat TC120

### 5.3.1 Réglage du thermostat de surchauffe

Un bouton de coupe-circuit en cas de surchauffe, comprenant une échelle de température, est situé à la partie supérieure droite de l'unité. Une sonde de surchauffe surveille indépendamment la température du bain et active l'arrêt du chauffage si l'unité dépasse le seuil limite de température déclenchant le coupe-circuit. Le seuil limite de température déclenchant le coupe-circuit est fixé à 110°C ; le modèle TC120 permet un réglage de ce seuil selon votre préférence.

#### Réglage grossier du thermostat de surchauffe

Tournez le bouton du coupe-circuit en cas de surchauffe pour l'aligner avec la valeur désirée sur l'échelle de température. Cette valeur doit être supérieure à la température définie pour éviter de déclencher le coupe-circuit avant que la température définie ne soit atteinte.

Si l'alarme retentit, elle peut être annulée en appuyant une seule fois sur le bouton **F** ou **S**. L'unité doit alors être éteinte pour effacer l'alarme du coupe-circuit. Pour continuer à utiliser le thermostat TC120, attendez que liquide du bain refroidisse de 5°C au moins naturellement, ou remplacez le liquide. Le TC120 peut alors être rallumé et utilisé à des températures inférieures aux 5°C précédant la valeur de déclenchement du coupe-circuit.

#### Autre réglage du thermostat de surchauffe

Tournez le bouton du coupe-circuit de surchauffe à la valeur maximale (ou à une valeur supérieure au niveau de température requis) et configurez la température définie au niveau du coupe-circuit requis. Laissez le bain atteindre la température définie et laissez-le se stabiliser pendant 5 minutes au moins. Tournez le bouton du coupe-circuit dans le sens anti-horaire jusqu'à ce que le témoin d'alarme s'allume et que l'alarme retentisse par intermittence. L'affichage alterne entre « Cut » (Coupe-circuit) et la température du liquide. De cette façon, un point de déclenchement de surchauffe est déterminé à la valeur de la température définie. L'alarme sonore peut être annulée en appuyant une seule fois sur le bouton **F** ou **S**.

L'unité doit alors être éteinte pour effacer l'alarme du coupe-circuit. Pour continuer à utiliser le thermostat TC120, attendez que liquide du bain refroidisse de 5°C au moins, ou remplacez le liquide. Le TC120 peut alors être rallumé et utilisé à des températures inférieures aux 5°C précédant la valeur de déclenchement du coupe-circuit.

### 5.3.2 Réglage d'une minuterie avec compte à rebours

Le thermostat TC120 est équipé d'une minuterie qui déclenche une alarme sonore au terme d'un compte à rebours. La minuterie peut être réglée entre 1 minute et 6000 minutes (100 heures).

1. Appuyez 2 fois sur le bouton **F** – l'affichage indique « Cloc » (Horloge).
2. Appuyez sur le bouton **S** pour effectuer une sélection.
3. Utilisez le bouton principal pour sélectionner « On » (Activé) puis appuyez sur le bouton de sélection **S**. L'affichage clignote en indiquant le temps (en minutes). Tournez la commande du navigateur pour régler le temps requis.
4. Appuyez sur le bouton **S** pour enregistrer la valeur et faire revenir l'affichage à la température du liquide, tandis que le compte à rebours démarre.

Lorsque le compte à rebours de l'horloge est défini, l'affichage alterne entre la température du bain et le temps restant en minutes.

Lorsque le compte à rebours de la minuterie atteint zéro, une alarme sonore retentit et l'affichage alterne entre la température du liquide et zéro. L'alarme peut être acceptée en appuyant sur le bouton **F** ou **S**.

**Remarque : le thermostat TC120 continuera le contrôle thermique une fois le compte à rebours terminé – le chauffage ne sera pas désactivé.**

### 5.3.3 Annulation de la minuterie

Le compte à rebours de la minuterie peut être annulé facilement.

1. Appuyez deux fois sur le bouton **F** – l'affichage indique « Cloc » (Horloge).
2. Appuyez sur le bouton **S** pour effectuer une sélection.
3. Utilisez le bouton principal pour sélectionner « Off » (Désactivé) puis appuyez sur le bouton de sélection **S**. L'affichage revient à la température du bain et le compte à rebours est annulé.

### 5.3.4 Réglage d'une alarme de haute température

L'alarme de haute température déclenche un signal sonore si la température du bain excède un seuil défini.

1. Appuyez 3 fois sur le bouton **F** – l'affichage indique « Alar » (Alarme).
2. Appuyez sur le bouton **S** pour effectuer une sélection.
3. Utilisez le bouton principal pour sélectionner « On » (Activé) puis appuyez sur le bouton de sélection **S**. L'affichage indique la valeur du seuil limite d'alarme de haute température. Tournez le bouton rotatif pour définir le seuil limite d'alarme de haute température requis.
4. Appuyez sur le bouton **S** pour enregistrer la valeur et faire revenir l'affichage à la température du liquide.

Si la valeur du seuil limite d'alarme de haute température est dépassée, le thermostat TC120 déclenche le signal sonore ; l'affichage indique « -Al- ». L'alarme peut être acceptée en appuyant sur le bouton **F** ou **S**. Cependant, l'alarme est toujours active et prête à se déclencher si la température excède à nouveau la valeur du seuil limite de haute température. L'alarme peut être annulée en suivant les étapes expliquées ci-dessus, et acceptée en tournant le bouton rotatif sur « Off » (Désactivé) à l'étape 3 et en appuyant sur le bouton **S**.

**Remarque : l'alarme de haute température ne désactivera pas le chauffage.**

### 5.3.5 Sélection du type de liquide

Le type de liquide détermine les limites de la plage de température définie.

1. Appuyez 4 fois sur le bouton **F** – l'affichage indique le type de liquide actuel.
2. Utilisez le bouton rotatif principal pour sélectionner le liquide requis.
3. Appuyez sur le bouton **S** pour définir le type de liquide et revenir à l'affichage de température habituel.

La sélection des types de liquides ci-dessous modifie la plage réglable comme suit :

Liquide	Température définie
H2O	0°C à 100°C
Huile	0°C à 120°C
LTL*	20°C à 50°C

\* LTL = liquide à basse température, par exemple 50 % d'eau/50 % de glycol

## 6.0 Caractéristiques techniques

### 6.1 Conditions d'utilisation

Plage de températures ambiantes	5 à 40°C
Altitude	Jusqu'à 2 000m (6 500 pi)
Environnement de fonctionnement	Utilisation en intérieur exclusivement.
Humidité relative maximale	HR à 80 % jusqu'à 31°C diminuant jusqu'à 50 % à 40°C

### 6.2 Caractéristiques électriques

Alimentation secteur : 220 à 240 V à 50/60 Hz ou 110-120 V à 50/60 Hz

Degré de pollution : 2

Catégorie d'installation : II

Les fluctuations de tension de l'alimentation secteur ne doivent pas excéder  $\pm 10$  % de la tension nominale fournie.

### 6.3 Performance du produit

	T100	T100L	TC120	TC120L
Plage de températures réglables	0°C à 100°C		-25°C à 120°C	
Température de fonctionnement minimale	5°C à 100°C		-25°C à 120°C	
Stabilité (DIN 12876)	$\pm 0,05^\circ\text{C} \dagger$			
Uniformité (DIN 12876)	$\pm 0,1^\circ\text{C}$			
Pression de tête de pompe max.	-		210 mbar (sans flux)	
Débit du flux de pompe max.	-		16 L/min	
Consommation de courant max.	6,5 A	12,5 A	6,5 A	12,5 A
Puissance calorifique :	1,3 kW	1,4 kW	1,3 kW	1,4 kW

† La stabilité de la température peut être affectée ( $\pm 0,3^\circ\text{C}$ ) en présence de champs RF puissants (10 V/m) entre 380 et 400 MHz. Ce niveau d'interférence est très peu probable et n'est susceptible de se produire que dans des sites industriels à fortes interférences (bruits) électriques tels que définis dans la norme EN61326.

FR

### 6.4 Informations relatives aux accessoires de bain

	ST5	ST12	ST18	ST26	ST38
Capacité de la cuve (litres)	5	12	18	26	38
Profondeur du liquide min./max. (mm)	85/140	85/140	75/130	125/180	125/180

	P5	P12	P18
Capacité de la cuve (litres)	5	12	18
Profondeur du liquide min./max. (mm)	85/140	85/140	85/140

## 7.0 Conseils techniques

---

### 7.1 Quelle eau utiliser dans le bain ?

Pour garantir la fiabilité à long terme des bains-marie, il importe d'utiliser de l'eau oxygénée exempte d'ions et de minéraux susceptibles de provoquer la corrosion de l'acier inoxydable. Nous recommandons l'utilisation d'eau distillée et d'eau déionisée issue d'un système d'échange ionique moderne n'utilisant pas de rinçage au sel pour régénérer les cartouches d'échange ionique.

L'acier inoxydable est protégé de la corrosion par une pellicule d'oxyde de chrome. Si la pellicule est endommagée, l'oxygène présent dans l'eau peut reformer une couche d'oxyde. Si l'eau est stagnante ou désoxygénée alors que la pellicule d'oxyde est endommagée, les ions peuvent corroder le bac en acier inoxydable. Lorsqu'un bain-marie est demeuré inutilisé pendant un certain temps, ou que l'eau a bouilli, nous recommandons de changer l'eau distillée ou de corriger l'eau déionisée.

L'eau contient naturellement des ions de calcium ou de magnésium. L'eau déionisée est pratiquement exempte d'ions, comme l'indique son niveau de conductivité ; plus l'eau est pure, plus la conductivité est faible. Il importe d'utiliser uniquement de l'eau déionisée issue d'un système d'échange ionique à cartouches remplaçables. N'utilisez pas d'eau déionisée provenant d'un système d'échange ionique intégrant un rinçage au sel pour régénérer la résine d'échange ionique, car elle peut laisser des ions de sodium très corrosifs pour l'acier inoxydable.

### 7.2 Comment empêcher les bains à eau de rouiller

La plupart des bacs Grant, ainsi que les pièces immergées, sont réalisés en acier inoxydable de type 304, une qualité à usage général extrêmement polyvalente. C'est en raison de ses excellentes caractéristiques de formage que cette qualité domine dans la fabrication des bains-marie de laboratoire et industriels, ainsi que des éviers et des casseroles domestiques. L'acier inoxydable de type 304 est idéalement adapté aux applications où l'hygiène est importante ; il fait preuve d'une bonne résistance à la chaleur et d'une excellente résistance à la corrosion.

Toutefois, malgré sa résistance à la corrosion générale en surface, l'acier inoxydable est sujet à des types de corrosion spécifiques, en particulier à la formation de petits trous de la taille d'une tête d'épingle et aux craquelures dues à l'effort. Il peut aussi subir une corrosion générale dans certains environnements, par exemple en présence d'acides hydrochloriques ou sulfuriques.

L'acier inoxydable est protégé par sa haute teneur en éléments d'alliage, principalement le chrome et le nickel. Le chrome est l'élément le plus important en termes de résistance à la corrosion, bien que le nickel aide le chrome à remplir sa mission. Le chrome forme une couche d'oxydation à la surface de l'acier, qui bloque toute oxydation ultérieure. Cette couche adhère extrêmement bien au métal qui est en dessous, mais elle doit absolument demeurer intacte et être protégée des différentes formes de détérioration.

Si la couche d'oxyde de chrome en surface est endommagée, l'oxygène dans l'eau peut reformer partiellement la couche d'oxyde, c'est pourquoi il convient de vérifier que l'eau est fraîche et bien oxygénée. Les bains qui doivent rester inutilisés pendant une période prolongée doivent être vidés et l'humidité éliminée au fond du bac.

Dans certains cas, un voile brun peut apparaître à la surface d'un bac en acier inoxydable. Dans la plupart des cas, il ne s'agit pas de rouille mais d'un dépôt superficiel de minéraux provenant de l'alimentation en eau locale, ou de particules ferreuses ou de sels tombés dans le bac. Ces dépôts superficiels peuvent généralement être éliminés avec un détergent ménager tel que le Duraglit ou une pâte à polir l'argenterie telle que le Silvo.

### 7.3 Comment éviter les algues et les bactéries

Les bains-marie offrent un environnement idéal au développement de micro-organismes. Non maîtrisée, la prolifération de ces organismes peut être à l'origine de différents problèmes sérieux et de risques sanitaires résultant de bactéries pathogènes.

Le développement d'algues à la surface des éléments est susceptible de provoquer une contamination biologique capable d'en réduire les performances.

Les micro-organismes qui produisent des dérivés métaboliques acides peuvent provoquer une corrosion biologique par dépolarisation des surfaces métalliques.

De nombreux produits biocides sont disponibles dans le commerce.

## 8.0 Garantie

---

Lorsqu'il est utilisé dans des conditions de laboratoire, conformément au présent manuel, ce produit est garanti pendant TROIS ANS contre les défauts de pièces et de main-d'œuvre.

Une extension de garantie pour la quatrième et la cinquième année peut être obtenue en contactant notre service commercial à [labsales@grantinstruments.com](mailto:labsales@grantinstruments.com).

## 9.0 Entretien et réparation

---

### 9.1 Entretien systématique

Le coupe-circuit de surchauffe du thermostat TC120 doit être vérifié à intervalles réguliers en tournant le bouton de réglage de surchauffe avec un tournevis jusqu'à ce que le témoin d'alarme s'allume. Le TC120 active un signal sonore et « Cut » (Coupe-circuit) s'affiche. Il convient alors de tourner le bouton du coupe-circuit de surchauffe jusqu'à la valeur maximale sans annuler l'alarme. Le TC120 doit être éteint puis rallumé pour confirmer la réinitialisation correcte du coupe-circuit. Si le témoin lumineux d'alarme ne s'allume pas lorsque la valeur indiquée sur le bouton de surchauffe est inférieure de plus de 10°C à la température actuelle indiquée dans la fenêtre d'affichage, l'unité doit être vérifiée par une personne qualifiée.

Le flotteur de protection contre les niveaux de liquide insuffisants doit aussi être vérifié régulièrement en diminuant le niveau de liquide dans le bain et en notant si l'appareil s'arrête avec la partie haute de l'élément chauffant toujours immergée dans le liquide. Le flotteur doit également être vérifié périodiquement afin de s'assurer que des dépôts calcaires, de la saleté ou des débris n'entravent pas le fonctionnement de l'appareil lorsque le niveau de liquide est bas.

Lorsque des tuyaux sont raccordés à la pompe, ils doivent être inspectés régulièrement et remplacés à mesure des besoins pour éviter les défaillances.

Aucun autre entretien systématique n'est requis.

### 9.2 Nettoyage

Nettoyez l'extérieur de l'équipement avec un chiffon, imprégné uniquement d'eau. N'utilisez pas de détergents chimiques. Avant d'employer une quelconque méthode de nettoyage ou de décontamination, interrogez Grant Instruments ou votre représentant local pour vérifier que la méthode envisagée ne risque pas d'endommager l'équipement. Le calcaire déposé sur les parties immergées peut être éliminé avec des produits détartrants conçus pour des équipements comportant des parties métalliques.



Les produits détartrants pouvant être toxiques, respectez toujours les instructions du fabricant.

### 9.3 Fusibles

Les fusibles du thermostat T100 et TC120 sont internes et n'ont pas besoin d'être remplacés. Veuillez contacter le Service après-vente Grant si le fusible de l'unité présente une anomalie.

### 9.4 Remplacement des cordons d'alimentation secteur

Tout cordon utilisé en remplacement du cordon d'alimentation secteur d'origine fourni avec le thermostat T100 ou TC120 doit présenter les mêmes caractéristiques que l'original pour assurer la sécurité de l'unité.

Les marquages suivants doivent figurer sur le câble : <HAR>, HO5VV-F 3Gx1mm<sup>2</sup> 90°C ; sa capacité nominale d'alimentation doit être de 10 A. La fiche d'alimentation secteur et le connecteur CEI doit porter la marque d'homologation d'un organisme de certification européen tel que le BSI, VDE (ou leur équivalent).

### 9.5 Tests de sécurité systématiques

Si vous souhaitez effectuer des tests systématiques, nous recommandons un test de l'intégrité du conducteur de terre et un test d'isolation à 500V CC. Les tests flash systématiques sont déconseillés, quel que soit l'équipement électrique, car les tests répétés à haute tension dégradent les matériaux d'isolation.

### 9.6 Réparation

Si des réparations sont nécessaires, arrêtez l'appareil et contactez Grant Instruments ou votre représentant local pour les effectuer.

Toute unité retournée doit être accompagnée d'un numéro de ARM (Autorisation de Retour de Matériel, ou RMA en anglais) obtenu en contactant le Département SAV (Service Department) de Grant (détails ci-dessous).

Service Department  
Grant Instruments (Cambridge) Ltd  
Shepreth  
Cambridgeshire  
SG8 6GB  
ROYAUME-UNI

Tél. : +44 (0) 1763 260 811  
Fax : +44 (0) 1763 262 410  
E-mail : [labservice@grantinstruments.com](mailto:labservice@grantinstruments.com)

## 10.0 Accessoires en option

---

La liste complète des accessoires et options est présentée dans le catalogue de références scientifiques de Grant (disponible sur simple demande) et sur le site web de Grant à l'adresse [www.grantinstruments.com](http://www.grantinstruments.com).

## 11.0 Recherche de panne

Symptôme	Cause possible	Action nécessaire
L'affichage indique « Cut » (Coupe-circuit).	Le coupe-circuit de surchauffe a fonctionné.	Vérifiez que la température définie est correcte et que le coupe-circuit de surchauffe est défini sur une valeur supérieure de 5°C au moins à la température définie. Consultez le chapitre 5.3.1 pour obtenir des instructions de réglage.  Si la température du coupe-circuit de surchauffe est définie correctement mais que l'unité indique toujours une alarme « Cut », l'unité présente une anomalie interne et doit être réparée avant d'être utilisée de nouveau.
La température n'augmente pas comme prévu.	La température définie est inférieure à celle du liquide.  La température définie est trop proche de la température ambiante.	Vérifiez que la température définie pour le bain est correcte (consultez le chapitre 5.2.3).  Augmentez la température définie (consultez le chapitre 5.2.3) ou installez un accessoire de refroidissement (consultez la section 4.8).
La température continue à monter alors qu'elle ne le devrait pas.	La température définie est supérieure à celle du liquide.	Vérifiez que la température définie pour le bain est correcte (consultez la section 5.2.3).
Témoin d'alarme allumé	Le coupe-circuit de surchauffe a fonctionné.  L'interrupteur du flotteur de protection contre les niveaux de liquide insuffisants a fonctionné.	Vérifiez que le coupe-circuit de surchauffe est défini de manière appropriée.(consultez la section 5.2.3).  Vérifiez que le niveau de liquide du bain est adéquat (consultez la section 6.4 pour connaître les niveaux de remplissage minimaux).
La température définie est trop restreinte.	Le type de liquide défini n'inclut pas la valeur définie requise.	Changer le type de liquide(consultez la section 5.3.5).
L'affichage indique « Flot » (Flotteur).	Le niveau de liquide est descendu en-dessous du niveau minimal requis.	Vérifiez que le niveau de liquide du bain est adéquat (consultez la section 6.4 pour connaître les niveaux de remplissage minimaux).
L'affichage indique « -Al- » (Alarme).	L'alarme d'avertissement de haute température s'est déclenchée.	Vérifiez que la température définie pour le bain est correcte (consultez la section 5.2.3).  Vérifiez que l'alarme de haute température est correcte (section 5.3.4).  Vérifiez que le niveau de liquide du bain est adéquat (consultez la section 6.4 pour connaître les niveaux de remplissage minimaux).

FR

L'affichage indique « Er H » (Erreur Haute temp.)	Valeur d'étalonnage incorrecte	Le point d'étalonnage de la haute température est à moins de 40°C au-dessus du point d'étalonnage de la température basse – choisissez une température plus élevée (consultez la section 5.2.6).
L'affichage indique « Er L » (Erreur Basse temp.)	Valeur d'étalonnage incorrecte	Le point d'étalonnage de la basse température est à moins de 40°C en dessous du point d'étalonnage de haute température – choisissez une température plus basse (consultez la section 5.2.6).
L'affichage indique « Er d »	Valeur d'étalonnage incorrecte	La valeur d'étalonnage dépasse de 10°C la valeur de consigne définie – vérifiez les mesures du thermomètre et de la valeur de consigne (consultez la section 5.2.6).
L'affichage indique « Open » (Ouvert).	Sonde thermique défectueuse.	Une personne qualifiée doit vérifier la sonde pour rechercher un circuit ouvert, ou contactez Grant.
L'affichage indique « Shrt » (Court-circuit)	Sonde thermique défectueuse.	Une personne qualifiée doit vérifier la sonde pour rechercher un court-circuit, ou contactez Grant.
L'affichage indique des températures irrégulières.	Les valeurs d'étalonnage n'ont pas été correctement définies.	Restaurez les paramètres d'étalonnage d'usine (consultez la section 5.2.7) puis étalonnez l'unité de nouveau si nécessaire (consultez la section 5.2.6).
L'affichage indique « Hot » (Chaud).	De l'eau approche ou a atteint le point d'ébullition sans couvercle  De très larges volumes de liquides sont chauffés, induisant une perte thermique importante.	Ajoutez un couvercle pour réduire les pertes thermiques et laissez l'unité fonctionner en ignorant l'avertissement « Hot ». Si l'alarme ne s'est pas effacée dans l'heure qui suit, contactez Grant.  Adoptez des mesures pour réduire les pertes thermiques et laissez l'unité fonctionner en ignorant l'avertissement « Hot ». Si l'alarme ne s'est pas effacée dans l'heure qui suit, contactez Grant.
L'affichage indique « Fuse » (Fusible).	Fusible(s) défectueux	Faites vérifier les fusibles internes par une personne qualifiée, ou contactez Grant.
L'affichage indique « Crct » (Carte circuits)	Carte de circuits imprimés défectueuse	Faites vérifier le produit par une personne qualifiée, ou contactez Grant.
L'affichage indique « Self » (Relai sécurité)	Relai de sécurité défectueux	Faites vérifier le produit par une personne qualifiée, ou contactez Grant.
Le moteur de l'agitateur ne tourne pas	L'hélice de l'agitateur ou la tête de pompe est obstruée.  Moteur défectueux	Supprimer l'obstruction.  Faites vérifier le moteur par une personne qualifiée, ou contactez Grant.
L'affichage indique « Cold » (Froid).	Le mode de réinitialisation du fabricant a été défini accidentellement.	L'avertissement peut être effacé en appuyant sur le bouton <b>S</b> , mais sachez que tous les réglages (y compris ceux relatifs à l'étalonnage d'usine) seront réinitialisés aux valeurs par défaut. Veuillez contacter le Service après-vente Grant si vous souhaitez obtenir de l'aide.

Pour toute requête concernant une erreur ou pour toute assistance, contactez le Service après-vente de Grant Instruments.



## 12.0 Contacter Grant Instruments

---

Grant s'efforce continuellement d'améliorer les performances offertes à ses clients. Si vous avez des remarques concernant les produits ou les services de Grant, nous serons heureux d'en prendre connaissance. Merci d'adresser vos commentaires à :

Quality Manager  
Grant Instruments (Cambridge) Ltd  
Shepreth  
Cambridgeshire  
SG8 6GB  
ROYAUME-UNI

Tél. : +44 (0) 1763 260 811  
Fax : +44 (0) 1763 262 410  
E-mail: [feedback@grantinstruments.com](mailto:feedback@grantinstruments.com)

## 13.0 Conformité

---

### Directive WEEE

Grant Instruments est entièrement conforme aux exigences des normes WEEE (Waste Electrical & Electronic Equipment) 2006. Nous participons au programme de conformité B2B (Numéro d'homologation du programme WEE/MP3338PT/SCH), qui gère nos obligations WEEE pour notre compte. Le numéro d'enregistrement unique WEE/GA0048TZ à été attribué à Grant Instruments par l'agence environnementale.

Pour des informations plus détaillées sur les collectes WEEE au Royaume-Uni, contactez directement notre gestionnaire de Programme de conformité B2B au 01691 676 124.

Dans les autres pays, contactez le fournisseur de votre équipement.

Des informations WEEE générales sont disponibles sur le site : [www.b2bcompliance.org.uk](http://www.b2bcompliance.org.uk)

### Directive RoHS 5.5

Tous les produits couverts par ce manuel sont conformes aux exigences de la directive RoHS (Directive 2002/95/CE).

### Sécurité électrique et compatibilité électromagnétique

Tous les produits couverts par ce manuel sont conformes aux exigences de la directive sur la basse tension (2006/95/CE) pour la sécurité électrique et de la directive CEM (2004/108/CE) pour la compatibilité électromagnétique. Consultez notre déclaration de conformité en troisième page de couverture.

FR

**Grant Instruments**, mit Sitz nahe Cambridge, England, ist ein weltweit führender Anbieter im Bereich der Herstellung und Entwicklung von Geräten zur Probenvorbereitung, wissenschaftlichen Analyse, Datenerfassung und Datenanalyse, dessen Lösungen sich an den globalen wissenschaftlichen und industriellen Markt richten.

#### **Einhaltung von Normen und Qualität.**

Grants' Marke und Ruf basieren auf Qualität, Zuverlässigkeit und Genauigkeit. Wir achten darauf, dass unsere Produkte alle erforderlichen internationalen Sicherheitsnormen genau erfüllen.

Wir achten besonders auf die Sicherheitsprüfung von Produkten und nehmen in der Umsetzung der Produktsicherheitsnorm für Laborgeräte IEC 61010-1 weiterhin eine Spitzenstellung ein. Das Unternehmen betreibt sein Sicherheitsprüflabor gemäß den Anforderungen der Norm ISO 17025.

Grant betreibt ein Qualitätsmanagementsystem, das die Anforderungen von BS EN ISO 9001:2008 erfüllt.

Neben der Einhaltung dieser Norm hat sich Grant der stetigen Verbesserung verschrieben; der Schwerpunkt liegt dabei auf dem Verständnis dafür, was unseren Kunden und Lieferanten wichtig ist, und auf der Entwicklung unserer Systeme und unserer Arbeit gemäß ihren Bedürfnissen.

Wir sind sehr an Ihrer Meinung über Grants Produkte und Serviceleistungen interessiert. Bitte richten Sie Ihre Kommentare an:

Quality Manager  
Grant Instruments (Cambridge) Ltd  
Shepreth  
Cambridgeshire  
SG8 6GB  
UK

Tel.: +44 (0) 1763 260 811  
Fax: +44 (0) 1763 262 410  
E-Mail: [feedback@grantinstruments.com](mailto:feedback@grantinstruments.com)

# Inhalt

---

Inhalt	2
1.0 Produkte, für die dieses Dokument gilt	4
2.0 Arbeiten mit dieser Bedienungsanleitung	4
3.0 Sicherheitshinweise	5
3.1 Einhaltung von Sicherheitsnormen	5
3.2 Sicherheitssymbole	5
3.3 Sicherheitshinweise	5
4.0 Auspacken, Aufbau und Aufstellung	6
4.1 Auspacken des Geräts	6
4.2 Anbringen des Reglers an ST-Bäder	6
4.3 Anbringen des Reglers an P-Bäder	7
4.4 Anbringen des Reglers an individuelle Bäder	7
4.5 Abnehmen des Reglers von der Überbrückungsplatte	8
4.6 Empfohlene Flüssigkeiten	8
4.7 Aufstellung	9
4.8 Stromversorgung	9
4.9 Verwendung von Kühlzubehör (C1G, C2G, CW5)	9
5.0 Betriebsabläufe	10
5.1 Betrieb	10
5.1.1 Flüssigkeitsstand	10
5.1.2 Betrieb über 60 °C	10
5.1.3 Betrieb bei niedrigen Temperaturen	10
5.1.4 Verwendung der Pumpe (nur TC120)	10
5.1.5 Leeren des ST-Bads	11
5.1.6 Einrichten und Einschalten	11
5.2 Verwenden von T100 und TC120	12
5.2.1 Produktbeschreibung	12
5.2.2 Anzeigen am Produkt	12
5.2.3 Einstellen der Kontrolltemperatur	13
5.2.4 Einstellen von Festwerten	13
5.2.5 Aktivieren eines Festwertes	13
5.2.6 Abschließen einer Kalibrierung	14
5.2.7 Wiederherstellen der werkseitigen Kalibriereinstellungen	15
5.2.8 Einstellen der Displayhelligkeit	15
5.3 Zusatzmerkmale von TC120	16
5.3.1 Einstellen des Übertemperaturthermostats	16
5.3.2 Einstellen einer Verzögerungszeit	16
5.3.3 Abschalten der Zeituhr	17
5.3.4 Einstellen eines Übertemperaturalarms	17
5.3.5 Auswahl des Flüssigkeitstyps	17
6.0 Technische Daten	18
6.1 Umgebungsbedingungen für den Betrieb	18
6.2 Elektrische Daten	18
6.3 Produktleistung	18
6.4 Angaben zum Badzubehör	18
7.0 Technische Tipps	19
7.1 Welches Wasser sollten Sie in Ihrem Bad verwenden?	19
7.2 Wie lässt sich Rost in Wasserbädern vermeiden	19
7.3 Wie lassen sich Algen und Bakterien vermeiden?	20
8.0 Garantieinformationen	20
9.0 Wartung und Service	20
9.1 Regelmäßige Wartungsmaßnahmen	20
9.2 Reinigung	20

9.3	Sicherungen	21
9.4	Auswechseln des Netzkabels	21
9.5	Routinemäßige Sicherheitsprüfungen	21
9.6	Service	21
10.0	Optionales Zubehör	21
11.0	Problembeseitigung	22
12.0	Kontaktinformationen von Grant Instruments	24
13.0	Konformität	24

DOMINIQUE DUTSCHER SAS

## 1.0 Produkte, für die dieses Dokument gilt

---

Diese Bedienungsanleitung gilt für folgende Produkte:

- T100 und T100L
- TC120 und TC120L

Die oben aufgeführten Produkte sind Universal-Immersionsthermostate für den Einsatz mit Bädern oder Zirkulatoren und sind nur für den Laborinnengebrauch durch qualifiziertes Personal bestimmt.

## 2.0 Arbeiten mit dieser Bedienungsanleitung

---

In dieser Bedienungsanleitung finden Sie Informationen zum effizienten und sicheren Auspacken, richtigen Einstellen und Bedienen des Immersionsthermostats. Wichtige Sicherheitshinweise, Symbole und Warnungen sind nachfolgend aufgeführt und gründlich durcharbeiten. Kapitel 4 enthält Informationen zum ordnungsgemäßen Auspacken und Aufstellen des Produktes. Kapitel 5 enthält Bedieninformationen für die Modelle T100 und TC120. Kapitel 6 und 7 enthalten technische Daten und Tipps. Die auf dieses Produkt gewährte Garantie gilt für DREI JAHRE und wird in Kapitel 8 ausführlich erläutert. Durch Ausfüllen des Online-Registrierungsformulars unter [www.grantinstruments.com](http://www.grantinstruments.com) sollte das Produkt registriert werden.

Wenden Sie sich bitte an Grant Instruments oder Ihren lokalen Vertriebs Händler, wenn ein technisches Problem auftreten sollte, das in dieser Bedienungsanleitung nicht behandelt wird oder Sie eine andere Frage zu diesem Produkt haben. Wir helfen Ihnen gerne weiter.

Die den T100/TC120 Immersionsthermostaten beiliegende Kurzanleitung dient nur als Kurzübersicht und sollte erst verwendet werden, nachdem die gesamte Bedienungsanleitung gelesen wurde.

## 3.0 Sicherheitshinweise

---

### 3.1 Einhaltung von Sicherheitsnormen

Immersionsthermostate von Grant erfüllen die Anforderungen der internationalen Sicherheitsnorm IEC61010: Sicherheitsbestimmungen für elektrische Mess-, Steuer-, Regel- und Laborgeräte. Darüber hinaus erfüllen Sie die folgenden entsprechenden nationalen Normen:

EN 61010-2-010  
UL 61010A-2-010  
CAN/CSA-C22.2 NR. 61010-2-010-04.

### 3.2 Sicherheitssymbole

Die im Folgenden aufgeführten Symbole sind auf dem Gerät angebracht und werden in diesem Handbuch verwendet:



Achtung: Oberflächen und Wärmeträgerflüssigkeit können während und nach dem Gebrauch heiß sein



Vor Gebrauch des Wasserbads die Bedienungsanleitung beachten



Wichtiger Sicherheitshinweis

### 3.3 Sicherheitshinweise



Lesen Sie diese Anweisungen vollständig durch. Die Sicherheit wird möglicherweise beeinträchtigt, wenn sie nicht befolgt werden.



Verwenden Sie bei T100 ausschließlich Wasser als Arbeitsflüssigkeit.



Verwenden Sie bei TC120 stets nur die in dieser Bedienungsanleitung angegebenen Flüssigkeiten im aufgeführten Temperaturbereich. Wenn die Alarmanzeige leuchtet, kann die Flüssigkeitstemperatur unter Umständen über dem empfohlenen Maximum liegen. Abgegebene Dämpfe dürfen nicht eingeatmet werden, da sie giftig sein können. Flüssigkeiten sind sicher zu entsorgen und auszutauschen.



Verwenden Sie T100/TC120 nicht mit brennbaren Wärmeträgerflüssigkeiten.



Verwenden Sie T100/TC120 nicht, um Probenmaterial zu erhitzen, das zu einem Brand oder einer anderen Gefahr führen könnte.



Verwenden Sie das Gerät nicht in Gegenwart aggressiver oder explosiver chemischer Gemische.



Wenn etwas auf oder in dem Gerät verschüttet wird, muss es von der Stromversorgung getrennt und anschließend von einer Fachkraft überprüft werden.



Der Betreiber ist für die Durchführung einer entsprechenden Dekontamination verantwortlich, wenn Gefahrstoffe auf das Gerät geschüttet werden.



Wenn die Alarmanzeige leuchtet, sollten Sie die Flüssigkeit bzw. den Behälter nicht berühren, da diese sehr heiß werden können. Sorgfältig nachfüllen, da eine heiße Heizung ein Verspritzen siedenden Wassers verursachen und heißen Wasserdampf erzeugen kann.



Berühren Sie keine Oberflächen, die beim Betrieb mit hohen Temperaturen heiß werden können.

## 4.0 Auspacken, Aufbau und Aufstellung

### 4.1 Auspacken des Geräts

Zum Standard-Lieferumfang gehören:

- Immersionsthermostat (T100 oder TC120)
- Pumpenabflussplatten (nur TC120)
- Netzkabel mit Stecker
- Bedienungsanleitung
- Kurzanleitung

Das Zubehör zu Bädern der ST-Serie umfasst:

- Edelstahlbad
- Überbrückungsplatte
- Umwälzeinsatz (nur Bäder ST18, ST26 und ST38)

Das Zubehör zu Bädern der P-Serie umfasst:

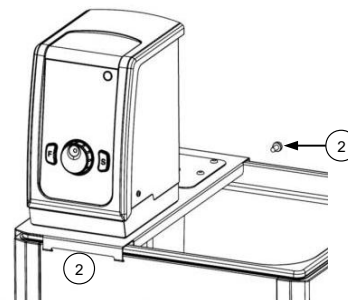
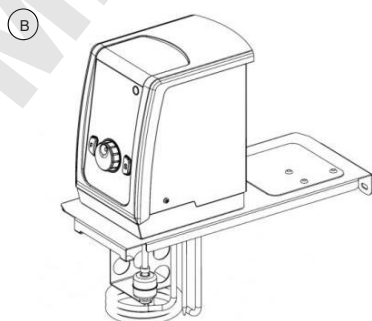
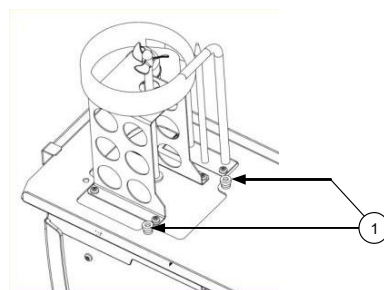
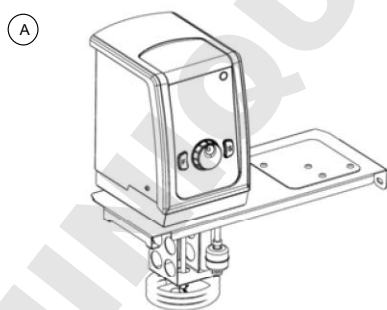
- Kunststoffbad
- Überbrückungsplatte

Entfernen Sie vorsichtig das Verpackungsmaterial und bewahren Sie es für den späteren Versand oder die Aufbewahrung des Gerätes auf.

### 4.2 Anbringen des Reglers an ST-Bäder

T100/TC120 kann an die Edelstahlbäder ST5, ST12, ST18, ST26 und ST38 je nach Belieben in zwei Stellungen - zum Arbeitsbereich des ST-Bads zeigend (A) oder nach außen zeigend (B) - angebracht werden.

1. Schieben Sie T100/TC120 durch die Öffnung der Überbrückungsplatte und richten Sie den Regler mithilfe des Befestigungsgewindes aus. Mit den Muttern befestigen. Nur handfest anziehen.
2. Hängen Sie die Baugruppe in die Schlitze am ST-Bad ein und verwenden Sie die mitgelieferte Halterung, um sie an der Rückseite des Bads zu befestigen.



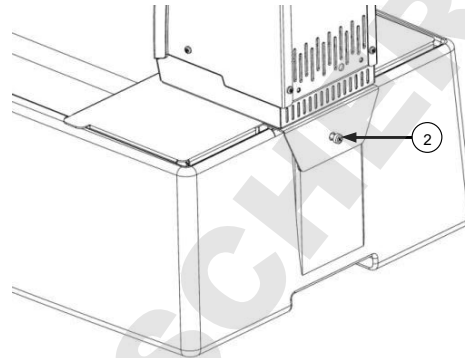
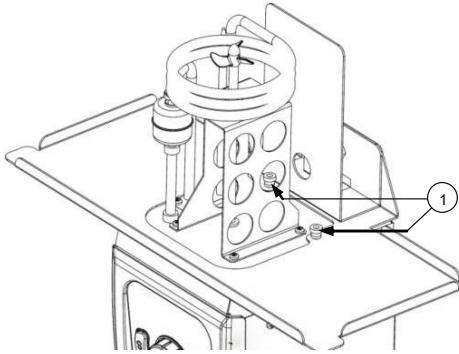
DE

Setzen Sie den Umwälzeinsatz auf den Boden des Flüssigkeitsbehälters. Die große Aussparung muss sich im Einsatz unter dem Regler befinden (nur ST18, ST26 und ST38).

#### 4.3 Anbringen des Reglers an P-Bäder

T100/TC120 kann an die Kunststoffbäder P5, P12 und P18 angebracht werden:

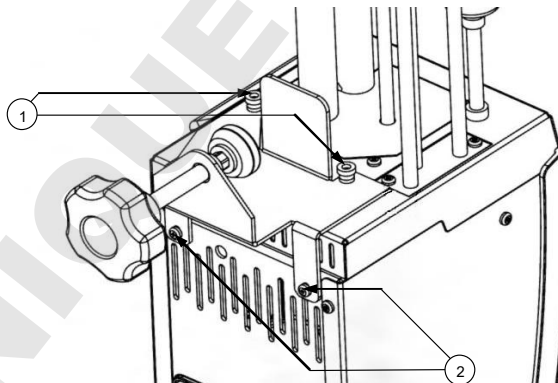
1. Schieben Sie T100/TC120 durch die Öffnung der Überbrückungsplatte und richten Sie den Regler mithilfe des Befestigungsgewindes aus. Mit den Muttern befestigen. Nur handfest anziehen.
2. Setzen Sie die Baugruppe auf das P-Bad und verwenden Sie die mitgelieferte Halterung, um sie an der Rückseite des Bads zu befestigen.



#### 4.4 Anbringen des Reglers an individuelle Bäder

Eine an T100/TC120 angebrachte Klemme ermöglicht die Anbringung an ein Bad oder einen Behälter eines anderen Herstellers als Grant mit einer Wandstärke von bis zu 30 mm. Zum Anbringen der Klemme an T100/TC120:

1. Setzen Sie die Klemme über die Befestigungsgewinde auf dem Boden von T100/TC120. Mit den Muttern befestigen. Nur handfest anziehen.
2. Rückwärtige Klemmbefestigungen anbringen, um die Rückseite von T100/TC120 zu befestigen.



Achten Sie darauf, die Klemme nicht zu fest anzuziehen, um eine Beschädigung der Klemme oder des Behälters zu vermeiden.



Der Flüssigkeitsbehälter, auf dem das Gerät befestigt wird, muss stabil sein und die erforderliche Robustheit, sowie mechanische, chemische und thermische Widerstandsfähigkeit besitzen.

Die Klemme nicht in einer Spülmaschine oder mit Entkalker reinigen. Den Gewindenschaft der Klemme nicht eintauchen. Gewindenschaft und Klemme nach der Reinigung immer abtrocknen. Die Gewinde können mit einer kleinen Menge leichtem Maschinenöl geschmiert werden.



#### 4.5 Abnehmen des Reglers von der Überbrückungsplatte

Lassen Sie die Arbeitsflüssigkeit abkühlen, bevor Sie T100/TC120 von der Überbrückungsplatte abnehmen. Nehmen Sie T100/TC120 und die Überbrückungsplatte zusammen vom Bad oder Behälter ab. Gehen Sie vorsichtig vor, da sich in der Pumpe eine kleine Menge der Arbeitsflüssigkeit befindet, die bei der Handhabung des Geräts ausläuft. Lösen Sie die Muttern und entfernen Sie die Überbrückungsplatte. Befestigen Sie die Muttern zur sicheren Verwahrung an den Befestigungsgewinden.

#### 4.6 Empfohlene Flüssigkeiten

In der folgenden Tabelle sind die empfohlenen Flüssigkeiten für unterschiedliche Temperaturbereiche aufgeführt. Achten Sie stets darauf, dass die verwendete Flüssigkeit sicher und für Ihre Betriebstemperatur geeignet ist. Bei Verwendung von nicht empfohlenen Wärmeträgerflüssigkeiten obliegt es der Verantwortung des Benutzers, eine Analyse durchzuführen, um sicherzustellen, dass die vorgesehene Flüssigkeit mit T100/TC120 und dem Behälter kompatibel ist.



Um Schutz bieten zu können, muss die Übertemperaturabschaltung für die ausgewählte Wärmeträgerflüssigkeit entsprechend eingestellt werden (siehe Tabelle).



Bei Verwendung von nicht empfohlenen Wärmeträgerflüssigkeiten ist es wichtig, die Übertemperaturabschaltung auf einen Wert einzustellen, der mindestens 25 °C unter dem Flammpunkt der Flüssigkeit liegt. Bitte wenden Sie sich im Zweifelsfall an den technischen Kundendienst von Grant.



Verwenden Sie Absaugung bei der Verwendung von Silikon-Flüssigkeiten bei erhöhten Temperaturen

Temp.bereich	Empfohlene Flüssigkeit	Einstellung für Abschaltung	Anmerkungen
-30 °C bis 30 °C	50 % Wasser, 50 % Frostschutzmittel (Ethylenglykol mit Inhibitor)	40°C	<p>WARNUNG: Ethylenglykol ist giftig – beachten Sie die Anweisungen des Herstellers. Beachten Sie zum sicheren Entsorgen Ihre lokalen Bestimmungen.</p> <p>Verwenden Sie einen Deckel, um ein Verdünnen der Lösung durch kondensierenden Wasserdampf aus der Luft zu verhindern und die gewünschte Abkühlrate beizubehalten.</p>
0 °C bis 30 °C	80 % Wasser, 20 % Frostschutzmittel (Ethylenglykol mit Inhibitor)	40°C	
5 °C bis 99,9 °C	Wasser*	110°C	<p>Wasser kann verwendet werden, es sollte jedoch berücksichtigt werden, dass bei über 60 °C entstehender Wasserdampf gefährlich sein kann. Verwenden Sie bei Temperaturen über 60° C einen Deckel oder Polypropylenkugeln, um eine gute Leistung sicherzustellen und Verdampfungen zu verringern. Bei Temperaturen nahe 99 °C wird die Temperaturregelung aufgrund von lokalisiertem Sieden reduziert. Die Geräte dürfen nicht zum Kochen von Wasser verwendet werden.</p>

DE

Temp.bereich	Empfohlene Flüssigkeit	Einstellung für Abschaltung	Anmerkungen
70 °C bis 120 °C	Silikonflüssigkeit Viskosität ~20 cSt Flammpunkt ≥230 °C Verbrennungspunkt ≥280 °C	130°C	Dow Corning Silikonflüssigkeit DC200/20 ist eine geeignete Flüssigkeit – beachten Sie die Anweisungen des Herstellers. Beachten Sie zum sicheren Entsorgen Ihre lokalen Bestimmungen.

\* Siehe Kapitel 7.1 für weitere Einzelheiten

#### 4.7 Aufstellung



Stellen Sie das Bad auf eine ebene und nicht brennbare Oberfläche. Netzschalter und Gerätestecker auf der Geräterückseite müssen leicht zugänglich sein.



Wenn das Gerät bei Kälte oder Feuchtigkeit transportiert oder aufbewahrt wird, kann sich im Geräteinnern Kondenswasser bilden. Lassen Sie in einem solchen Fall das Kondenswasser verdunsten (mindestens zwei Stunden bei Raumtemperatur), bevor Sie das Gerät verwenden.



Lüftungsschlitze dürfen niemals blockiert oder verstellt werden.

#### 4.8 Stromversorgung



Überprüfen Sie, ob die auf dem Seriennummernetikett angegebene Netzspannung und der Netzsteckertyp für Ihre Schutzkontaktsteckdose mit Erdanschluss geeignet sind.

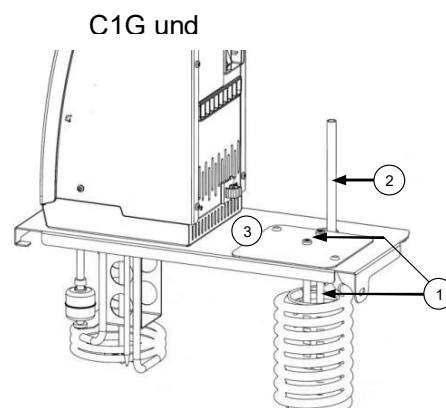
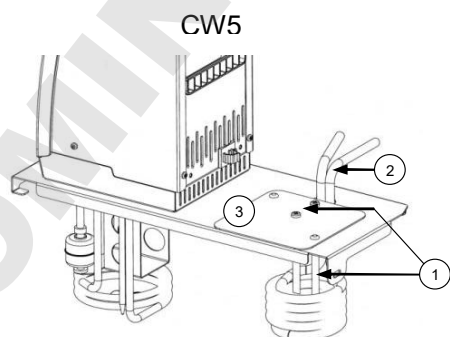


T100/TC120 darf ausschließlich mit dem mitgelieferten Netzkabel oder einem Kabel mit identischer Leistung an das Stromnetz angeschlossen werden (siehe Kapitel 9.4).

#### 4.9 Verwendung von Kühlzubehör (C1G, C2G, CW5)

Kühlzubehör wird für den Betrieb bei Temperaturen unterhalb der Raumtemperatur benötigt. Tauchkühler (C1G und C2G) können für den Betrieb bis minimal -15 °C verwendet werden. Eine Wasser-Wärmetauscherspule (CW5) kann für den Betrieb bei Temperaturen um die Raumtemperatur eingesetzt werden. Die Spulen werden folgendermaßen angebracht:

1. Befestigen Sie die U-förmige Spulenführungsstange mithilfe der beiden mitgelieferten Befestigungen am Abdeckblech.
2. Schieben Sie die Kühlspule durch die Öffnung der Überbrückungsplatte und richten Sie die Abflussschläuche mit der Aussparung aus.
3. Setzen Sie das Abdeckblech auf die Überbrückungsplatte und befestigen Sie es mit den mitgelieferten Befestigungen. Die Spulenführungsstange muss fest an der Innenseite der Spule ansitzen und sie sicher festhalten. Stellen Sie vor Aufnahme des Betriebs sicher, dass die Spule fest und sicher sitzt.



## 5.0 Betriebsabläufe

---

### 5.1 Betrieb

#### 5.1.1 Flüssigkeitsstand

Der minimale und maximale Flüssigkeitsstand bei Grant Zubehörbädern sind in Kapitel 6.4 definiert. Der Flüssigkeitsstand sollte stets zwischen diesen Werten liegen. Diese Werte gelten sowohl, wenn das Bad keine Gefäße enthält, als auch bei maximaler Befüllung. Bei Verwendung von verdampfbaren Flüssigkeiten muss der Füllstand regelmäßig kontrolliert und aufgefüllt werden. Wenn der Flüssigkeitsstand unter den Mindestfüllstand absinkt, löst der Schwimmerschalter einen Alarm aus und schaltet das Gerät die Heizung ab und stoppt die Temperaturregelung.

#### 5.1.2 Betrieb über 60 °C

Bei Temperaturen über 60 °C muss ein Deckel bzw. Polypropylenkugeln verwendet werden, um die Temperaturregelung aufrecht zu erhalten und sicherzustellen, dass die Badflüssigkeitstemperatur den Sollwert erreicht. Durch die Vermeidung übermäßiger Verdunstung wird Energie gespart und muss das Bad weniger häufig aufgefüllt werden. Aus Sicherheitsgründen kann T100/TC120 beim Erhitzen von Wasser beim oder nahe am Siedepunkt über einen längeren Zeitraum oder beim Erhitzen großer Flüssigkeitsmengen mit großen Wärmeverlusten ohne die Verwendung eines Deckels oder von Polypropylenkugeln die Meldung 'Hot' (heiß) anzeigen. Siehe Kapitel 11 für weitere Informationen. Es ist darauf zu achten, dass die hinteren Zuluftöffnungen frei sind und über diese beim Betrieb mit Wasser beim oder nahe am Siedepunkt oder mit anderen verdampfenden Flüssigkeiten möglichst wenig Dampf oder Rauch eintritt.



Seien Sie beim Anheben und Abnehmen des Deckels vorsichtig, da dieser heiß sein kann. Heiße Dämpfe können Verbrennungen hervorrufen.

#### 5.1.3 Betrieb bei niedrigen Temperaturen

- Kühlzubehör wird für den kontrollierten Betrieb bei Temperaturen unter bzw. bei Raumtemperatur benötigt. Die Mindestbetriebstemperatur ohne Kühlzubehör hängt von der Badkapazität ab. Die kleinen Bäder, P5 und ST5, besitzen eine Mindestbetriebstemperatur von etwa 10 °C über Raumtemperatur ohne Deckel und 15 °C über Raumtemperatur mit Deckel. Andere Badkapazitäten können bei einer Temperatur von 5 °C über Raumtemperatur verwendet werden.

#### 5.1.4 Verwendung der Pumpe (nur TC120)

Bei TC120 kann die Flüssigkeit in einem geschlossenen externen System gepumpt werden (ohne Berührung zur umgebenden Atmosphäre). Das Gerät darf nur dann zum Umwälzen über einen externen offenen Flüssigkeitsbehälter verwendet werden, wenn eine Schwerkraftrückführung vorhanden ist. Bei einem offenen System sollte eine Analyse durchgeführt werden, um sicherzustellen, dass die Flüssigkeitsstände während des Betriebs stabil sind und es nicht zu einem Trockenlaufen oder Überlaufen eines Behälters kommen kann. Die Pumpe ist mit einer standardmäßigen Abdeckplatte ausgestattet. Montieren Sie eine Pumpenanschlussplatte wie nachfolgend dargestellt. Hinweis: die Abdeck- und die Anschlussplatte besitzen ein Positionierungsloch (siehe A unten) als Hilfestellung bei der korrekten Ausrichtung auf dem Pumpenaufsatz. Prüfen Sie unbedingt, dass das Loch am dazugehörigen Fixierstift (siehe B unten) auf dem Pumpenaufsatz ausgerichtet ist. Ein Nichtbefolgen hat einen undichten Anschluss zur Folge. Bewahren Sie die Abdeckplatte auf, falls die Pumpe später nicht mehr verwendet wird.

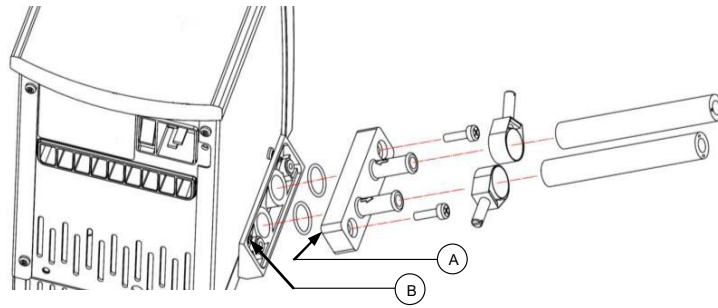


Verwenden Sie stets nur für die jeweilige Betriebstemperatur und Flüssigkeit geeignete Pumpenanschlüsse und Schläuche. Prüfen Sie, dass alle Schlauchverbindungen dicht sind.



Entfernen Sie niemals Anschlussstücke und Schläuche, wenn sie noch sehr heiße bzw. kalte Flüssigkeit enthalten oder TC120 noch pumpt.

DE



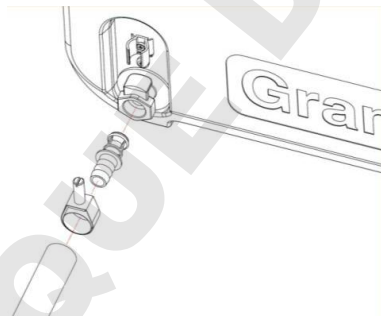
Das Pumpen von Wärmeträgerflüssigkeit in einem externen System kann zu Gefahren führen, die außerhalb der Kontrolle von Grant Instruments liegen. Es ist von entscheidender Bedeutung, dass der Benutzer eine Gefahrenanalyse der gesamten Geräteinstallation durchführt, um sicherzustellen, dass durchweg geeignete Materialien verwendet wurden und das System sicher verwendet werden kann.

### 5.1.5 Leeren des ST-Bads

Die Bäder ST12, ST18, ST26 und ST38 müssen vor dem Transport bis auf einen sicheren Füllstand geleert werden. Diese Bäder werden mit einem Ablasshahn geliefert, der ein bequemes Entleeren ermöglicht.

Vor der Entleerung des Bades sollte die Flüssigkeitstemperatur auf ein sicheres Niveau absinken. Wird das Bad bei Temperaturen über 50 °C abgelassen, wird der Ablassmechanismus beschädigt und muss ersetzt werden. Achten Sie darauf, beim Entleeren nichts zu verschütten.

Entleeren Sie das Bad, indem Sie das mitgelieferte Ablassstück wie nachfolgend dargestellt in den Ablasshahn schieben. Bitte beachten Sie, dass die Badflüssigkeit abzulaufen beginnt, wenn das Ablassstück vollständig auf den Stützen aufgeschoben ist. Bei Bedarf kann auf das andere (mit Haken versehene) Ende des Ablassstückes ein Verlängerungsschlauch aufgesteckt werden.



### 5.1.6 Einrichten und Einschalten

Schließen Sie T100/TC120 an eine geerdete Netzsteckdose an, die eine Spannung und Frequenz in dem Bereich liefert, der auf dem Typenschild mit der Seriennummer angegeben ist.

Schließen Sie T100/TC120 sicher an das gewünschte Bad oder den Behälter an. Befüllen Sie das Bad mindestens bis zum empfohlenen Mindestfüllstand mit der geeigneten Arbeitsflüssigkeit, sodass der Schwimmerschalter vollständig angehoben ist.

Schalten Sie T100/TC120 über den Netzschalter auf der Geräterückseite ein. Der Motor läuft unmittelbar an und der Summer ertönt beim Start des Geräts. Beim Starten erscheint auf dem Display der Modelltyp, gefolgt von der Softwareversion und der aktuellen Flüssigkeitstemperatur. T100/TC120 ist betriebsbereit.

Ziehen Sie den Netzstecker aus der Schutzkontaktsteckdose, um das Gerät vom Netz zu trennen.

## 5.2 Verwenden von T100 und TC120

### 5.2.1 Produktbeschreibung



### 5.2.2 Anzeigen am Produkt

An T100/TC120 befinden sich zwei Anzeigelämpchen:

- Heizanzeige (orange), symbolisiert durch  $\text{SSS}$
- Alarmanzeige (rot), symbolisiert durch  $!$

Die Alarmanzeige weist auf die folgenden Fehler hin:

- Schwimmerschalter wurde infolge eines zu niedrigen Flüssigkeitsstands ausgelöst
- Übertemperaturabschaltung wurde ausgelöst
- Temperatursondenfehler

Die Ursache für den Alarm wird auch auf dem Display angezeigt.

Auf dem Display wird normalerweise die Temperatur (in Grad Celsius) der zu regelnden Flüssigkeit angezeigt.

Die Taste **S** (Einstelltaste) dient zur Auswahl und Speicherung von Werten, die Taste **F** (Funktionstaste) dient zum Zugriff auf Menüoptionen sowie als Abbruchtaste.

Der Hauptregler dient zur Änderung von Temperaturwerten und anderen einstellbaren Parametern.

### 5.2.3 Einstellen der Kontrolltemperatur

Die Temperatur der Badflüssigkeit kann mit der Taste **S** eingestellt werden.

1. Drücken Sie die Taste **S**, wenn auf dem Display die Badtemperatur angezeigt wird. Das Display blinkt dann; dies weist darauf hin, dass die Temperatur eingestellt werden kann.
2. Stellen Sie mit dem Hauptregler die gewünschte Temperatur ein.  
*Wenn 10 Sekunden lang keine Taste gedrückt wurde, zeigt das Display wieder die tatsächliche Temperatur an und der ursprüngliche Sollwert bleibt erhalten.*
3. Drücken Sie die Taste **S**. Dadurch wird der gewünschte Wert gespeichert und das Display zeigt wieder die Badtemperatur an.  
*Liegt die ausgewählte Temperatur über der aktuellen Flüssigkeitstemperatur, leuchtet die Heizanzeige auf.*

### 5.2.4 Einstellen von Festwerten

Für jeden T100/TC120 sind drei Festwerte für verschiedene Solltemperaturen einstellbar, damit das Gerät schnell auf häufig benutzte Temperatursollwerte umgeschaltet werden kann. Die folgende Anleitung beschreibt die Einstellung von Festwert 1; die anderen Festwerte sind auf die gleiche Weise einstellbar.

Beachten Sie, dass ein Festwert nach seiner Speicherung mithilfe der nachfolgenden Schritte automatisch startet, sobald alle Schritte abgeschlossen wurden.

1. Drücken Sie die Taste **F** und drehen Sie den Regler, bis am Display „t-1“ erscheint.  
*Die Anzeige zeigt abwechselnd den Festwert und die Temperatur an.*
2. Drücken Sie die Taste **S**, um den Festwert auszuwählen.
3. Stellen Sie mit dem Regler den gewünschten Temperaturvorwahlwert ein.  
*Wenn 10 Sekunden lang keine Taste gedrückt wurde, zeigt das Display wieder die Badtemperatur an und der Temperaturvorwahlwert bleibt erhalten.*
4. Drücken Sie die Taste **S**, um den Temperaturvorwahlwert zu speichern.  
*Der Festwert startet automatisch, sobald der Wert gespeichert ist.*

Temperaturvorwahlen und eingestellte Temperaturen sind je nach Modelltyp und Flüssigkeitstyp begrenzt. Der einstellbare Bereich liegt bei T100 zwischen 0 und 100 °C und bei TC120 zwischen -25 °C und 120 °C. Die Werkseinstellungen sind in der nachfolgenden Tabelle aufgeführt.

<b>Festwert</b>	<b>Eingestellter Temperaturbereich</b>
t-1	37 °C
t-2	56 °C
t-3	72 °C

### 5.2.5 Aktivieren eines Festwertes

1. Drücken Sie die Taste **F** und drehen Sie den Regler, bis am Display der korrekte Festwert erscheint.
2. Drücken Sie die Taste **S**, um den Festwert auszuwählen.
3. Drücken Sie die Taste **S**, um das Bad auf den Temperaturvorwahlwert einzustellen.

## 5.2.6 Abschließen einer Kalibrierung

T100 und TC120 ermöglichen den Abschluss einer Zweipunktkalibrierung. Der Zugriff auf das Kalibrationsmenü erfolgt durch gleichzeitiges Drücken der Tasten **F** und **S** für etwa 5 Sekunden.

Die Kalibriertemperaturen sind durch die Temperaturgrenzwerte der Flüssigkeitstyp-Einstellung eingeschränkt. Die Kalibrierung muss mithilfe eines verfolgbaren Referenzthermometers mit einer Genauigkeit von mindestens 0,1 °C durchgeführt werden. Dieses Thermometer muss sicher in der Mitte des Bads oder Behälters befestigt werden.

Die Kalibrierung von T100/TC120 besteht aus 2 Teilen: einem Niedertemperatur-Offset und einem Übertemperatur-Offset. Der Kalibrierpunkt für die Temperaturobergrenze muss mindestens 40 °C über dem Kalibrierpunkt für die Temperaturuntergrenze liegen.

Die Kalibrierpunkte sollten bei kritischen experimentellen Temperaturen liegen, bei denen es auf Genauigkeit ankommt oder bei den Extremen des Arbeitsbereichs verwendeter Temperaturen.

Wird nur der Kalibrierpunkt für die Temperaturuntergrenze festgelegt, erfolgt die Kalibrierung zwischen diesem Punkt und 100 °C bei linear abfallendem Offset. Wird nur der Kalibrierpunkt für die Temperaturobergrenze festgelegt, erfolgt die Kalibrierung zwischen 0 °C und diesem Punkt bei linear abfallendem Offset.

Wird der Thermometerwert eingegeben, bevor das Gerät vollständig stabil ist, kann dies eine fehlerhafte Kalibrierung und falsche Flüssigkeitstemperatur-Messwerte zur Folge haben. Stimmt T100/TC120 nach der Kalibrierung nicht mit dem Thermometer überein, war diese möglicherweise nicht erfolgreich und muss das Gerät zurückgesetzt werden.

### Einstellen des Niedertemperatur-Offsets

1. Stellen Sie die Temperatur auf den erforderlichen Kalibrierpunkt für die Temperaturuntergrenze ein.
2. Warten Sie mindestens 5 Minuten nach Erreichen einer stabilen Temperatur.
3. Messen Sie die Flüssigkeitstemperatur, indem Sie ein Referenzthermometer in die Badmitte legen.
4. Drücken Sie gleichzeitig etwa 5 Sekunden lang die Tasten **F** und **S**, bis „LCAL“ angezeigt wird.
5. Drücken Sie zur Auswahl die Taste **S**.
6. Aktualisieren Sie mit dem Hauptregler die Anzeige, um die Temperatur auf dem Referenzthermometer anzuzeigen.
7. Drücken Sie die Taste **S**, um die Temperatur zu speichern.  
*Drücken Sie die Taste **F**, um die Kalibrierung abzubrechen.*
8. Drücken Sie die Taste **F**, um zur Flüssigkeitstemperaturanzeige zurückzukehren.

### Einstellen des Übertemperatur-Offsets

1. Stellen Sie die Temperatur auf den erforderlichen Kalibrierpunkt für die Temperaturobergrenze ein.
2. Warten Sie mindestens 5 Minuten nach Erreichen einer stabilen Temperatur.
3. Messen Sie die Flüssigkeitstemperatur, indem Sie ein Referenzthermometer in die Badmitte legen.
4. Drücken Sie gleichzeitig etwa 5 Sekunden lang die Tasten **F** und **S**, bis „LCAL“ angezeigt wird.
5. Drehen Sie den Regler, bis am Display „HCAL“ erscheint und drücken Sie zur Auswahl die Taste **S**.

6. Aktualisieren Sie mit dem Hauptregler die Anzeige, um die Temperatur auf dem Referenzthermometer anzuzeigen.
7. Drücken Sie die Taste **S**, um die Temperatur zu speichern.  
*Drücken Sie die Taste F, um die Kalibrierung abzubrechen.*

### 5.2.7 Wiederherstellen der werkseitigen Kalibriereinstellungen

Durch die Wiederherstellung der werkseitig eingestellten Kalibrierwerte können die Geräteeinstellungen zurückgesetzt werden, wenn bei der Kalibrierung ein Problem auftritt oder Sie Kalibriereinstellungen abbrechen möchten.

1. Drücken Sie gleichzeitig etwa 5 Sekunden lang die Tasten **F** und **S**, bis „LCAL“ angezeigt wird.
2. Drehen Sie den Regler, bis am Display „rST“ erscheint und drücken Sie zur Auswahl die Taste **S**.
3. Drücken Sie vier Mal die Taste **S** (am Display wird „Con.3“, „Con.2“, „Con.1“ angezeigt und der Summer ertönt zur Bestätigung, dass das Rücksetzen auf die Werkseinstellungen abgeschlossen wurde).

### 5.2.8 Einstellen der Displayhelligkeit

Die Helligkeit des Displays kann bei Bedarf über einen begrenzten Bereich eingestellt werden (20 % bis 100 %).

1. Drücken Sie gleichzeitig etwa 5 Sekunden die Tasten **F** und **S**, bis auf dem Display „LCAL“ angezeigt wird.
2. Drehen Sie den Regler, bis am Display „disP“ erscheint und drücken Sie zur Auswahl die Taste **S**.
3. Drehen Sie den Regler, um die gewünschte Helligkeit auszuwählen.  
*Die angezeigten Werte zeigen die Displayhelligkeit*
4. Drücken Sie die Taste **S**, um den Wert zu speichern.
5. Drücken Sie die Taste **F**, um zur normalen Temperaturanzeige zurückzukehren.



## 5.3 Zusatzmerkmale von TC120

### 5.3.1 Einstellen des Übertemperaturthermostats

Eine Übertemperaturabschaltung mit einer Temperaturskala befindet sich oben rechts am Gerät. Die Übertemperatursonde überwacht unabhängig die Badtemperatur und schaltet die Heizung ab, wenn die Temperatur die Abschaltswelle überschreitet. Die Abschaltswelle ist für T100 auf 110 °C festgesetzt. Bei TC120 kann die Abschaltswelle beliebig angepasst werden.

#### Grobeinstellung des Übertemperaturthermostats

Drehen Sie den Regler der Übertemperaturabschaltung übereinstimmend mit der gekennzeichneten Skala auf die gewünschte Einstellung. Diese sollte höher als der Temperatursollwert liegen, um zu verhindern, dass die Abschaltung vor Erreichen des Temperatursollwerts erfolgt.

Wird der Alarm ausgelöst, kann er durch einmaliges Drücken der Taste **F** oder **S** abgestellt werden. Das Gerät muss anschließend ausgeschaltet werden, um den Übertemperaturalarm zu löschen. Lassen Sie vor einer weiteren Verwendung von TC120 die Badflüssigkeit entweder natürlich oder durch Austauschen der Flüssigkeit um mindestens 5 °C abkühlen. TC120 kann anschließend wieder eingeschaltet werden und bei Temperaturen bis 5 °C unter dem Übertemperaturabschaltungswert verwendet werden.

#### Alternative Einstellung des Übertemperaturthermostats

Drehen Sie den Regler der Übertemperaturabschaltung auf das Maximum (oder auf mindestens einen Wert oberhalb des erforderlichen Pegels) und konfigurieren Sie den Temperatursollwert auf das erforderliche Abschaltungsniveau. Lassen Sie das Bad den Temperatursollwert erreichen und sich mindestens 5 Minuten stabilisieren. Drehen Sie den Regler der Übertemperaturabschaltung langsam gegen den Uhrzeigersinn, bis die Alarmanzeige leuchtet und das Alarmsignal periodisch ertönt. Die Anzeige zeigt abwechselnd „Cut“ und die Flüssigkeitstemperatur an. Dadurch wird der Auslösepunkt für die Übertemperaturabschaltung auf den Temperatursollwert eingestellt. Der akustische Alarm kann durch einmaliges Drücken der Taste **F** oder **S** gelöscht werden.

Das Gerät muss ausgeschaltet werden, damit der Übertemperaturalarm gelöscht wird. Lassen Sie vor einer weiteren Verwendung von TC120 die Badflüssigkeit entweder natürlich oder durch Austauschen der Flüssigkeit um mindestens 5 °C abkühlen. TC120 kann anschließend wieder eingeschaltet werden und bei Temperaturen bis 5 °C unter dem Übertemperaturabschaltungswert verwendet werden.

### 5.3.2 Einstellen einer Verzögerungszeit

TC120 enthält eine in Minuten einstellbare Zeituhr, die den Summer ertönen lässt, wenn die eingestellte Zeit abgelaufen ist. Die Zeituhr kann zwischen 1 Minute und 6000 Minuten (100 Stunden) eingestellt werden.

1. Drücken Sie zweimal die Taste **F** – auf dem Display wird „Cloc“ angezeigt.
2. Drücken Sie zur Auswahl die Taste **S**.
3. Wählen Sie mit dem Hauptregler „On“ aus und drücken Sie zur Auswahl die Taste **S**. Das Display blinkt mit der Zeitanzeige (in Minuten). Drehen Sie den Navigationsdrehknopf, um die gewünschte Zeit einzustellen.
4. Drücken Sie die Taste **S**, um zu speichern, zur Flüssigkeitstemperaturanzeige zurückzukehren und die Zeituhr zu starten.

Wenn die Zeitdauer eingestellt wurde, zeigt das Display abwechselnd die Badtemperatur und die verbleibende Zeit in Minuten an.

Hat die Zeituhr bis Null heruntergezählt, ertönt der Summer und am Display wird abwechselnd „End“ und die Wassertemperatur angezeigt. Der Alarm kann durch Drücken der Taste **F** oder **S** quittiert werden.

**Hinweis: TC120 regelt die Solltemperatur weiter, nachdem die Zeituhr bis Null heruntergezählt hat – die Heizung wird nicht abgeschaltet.**

### 5.3.3 Abschalten der Zeituhr

Die Zeituhr kann einfach abgeschaltet werden.

1. Drücken Sie zweimal die Taste **F** – auf dem Display wird „Cloc“ angezeigt.
2. Drücken Sie zur Auswahl die Taste **S**.
3. Wählen Sie mit dem Hauptregler „Off“ aus und drücken Sie zur Auswahl die Taste **S**. Das Display zeigt wieder die Badtemperatur an und die Zeituhr wird gelöscht.

### 5.3.4 Einstellen eines Übertemperaturalarms

Der Übertemperaturalarm sieht einen Warnsummer vor, der ertönt, wenn die Badtemperatur ein definiertes Niveau überschreitet.

1. Drücken Sie dreimal die Taste **F** – auf dem Display wird „Alar“ angezeigt.
2. Drücken Sie zur Auswahl die Taste **S**.
3. Wählen Sie mit dem Hauptregler „On“ aus und drücken Sie zur Auswahl die Taste **S**. Das Display blinkt mit dem Übertemperaturalarmwert. Drehen Sie den Regler, um den erforderlichen Übertemperaturalarmwert einzustellen.
4. Drücken Sie die Taste **S**, um zu speichern und zur Flüssigkeitstemperaturanzeige zurückzukehren.

Wird der Übertemperaturalarmwert überschritten, ertönt der Summer periodisch und wird „-Al-“ auf dem Display angezeigt. Der Alarm kann durch Drücken der Taste **F** oder **S** bestätigt werden. Der Alarm ertönt jedoch dauerhaft und wird erneut ausgelöst, wenn die Temperatur weiterhin den Übertemperaturwert überschreitet. Der Alarm kann durch Befolgen der oben genannten Schritte gelöscht werden; wählen Sie in Schritt 3 jedoch mit dem Regler „Off“ aus und drücken Sie zum Bestätigen die Taste **S**.

**Hinweis: der Übertemperaturalarm schaltet nicht die Heizung aus.**

### 5.3.5 Auswahl des Flüssigkeitstyps

Der Flüssigkeitstyp bestimmt die Grenzen des eingestellten Temperaturbereichs.

1. Drücken Sie viermal die Taste **F** – auf dem Display wird der aktuelle Flüssigkeitstyp angezeigt.
2. Wählen Sie mit dem Hauptregler die erforderliche Flüssigkeit aus.
3. Drücken Sie die Taste **S**, um den Flüssigkeitstyp einzustellen und zur normalen Temperaturanzeige zurückzukehren.

Durch die Auswahl der nachfolgenden Flüssigkeitstypen ändert sich der einstellbare Bereich wie folgt:

Flüssigkeit	Eingestellter Temperaturbereich
H <sub>2</sub> O	0 °C bis 100 °C
Öl	0 °C bis 120 °C
LTL*	-25 °C bis 50 °C

\* LTL = low temperature liquid (Tieftemperaturflüssigkeit), zum Beispiel 50 % Wasser / 50 % Glykol

## 6.0 Technische Daten

### 6.1 Umgebungsbedingungen für den Betrieb

Umgebungstemperaturbereich	5 bis 40°C
Höhe ü. NN	Bis zu 2.000 m
Betriebsumgebung	Nur für den Innengebrauch
Max. relative Luftfeuchtigkeit	80 % rel. Luftfeuchte bei bis zu 31 °C, Abnahme auf 50 % rel. Luftfeuchte bei 40 °C

### 6.2 Elektrische Daten

Netzversorgung: 220-240 V bei 50/60 Hz oder 110-120 V bei 50/60 Hz  
 Verschmutzungsgrad: 2  
 Installationskategorie: II

Netzspannungsschwankungen dürfen  $\pm 10\%$  der Nenn-Netzspannung nicht überschreiten.

### 6.3 Produktleistung

	T100	T100L	TC120	TC120L
Einstellbarer Temperaturbereich	0 °C bis 100°C		-25°C bis 120 °C	
Min. Betriebstemperatur	5°C bis 100°C		-25°C bis 120 °C	
Stabilität (DIN 12876)	$\pm 0,05$ °C †			
Gleichförmigkeit (DIN 12876)	$\pm 0,1$ °C			
Max. Druckhöhe der Pumpe	-		210 mbar (kein Durchfluss)	
Max. Pumpenleistung	-		16 l/min	
Max. Stromverbrauch	6,5 A	12,5 A	6,5 A	12,5 A
Heizleistung	1,3 kW	1,4 kW	1,3 kW	1,4 kW

† Die Temperaturstabilität kann bei starken HF-Feldern (10 V/m) bei 380-400 MHz (um  $\pm 0,3$  °C) beeinträchtigt sein. Dieser Störpegel ist sehr unwahrscheinlich und kommt in der Regel nur in Industrieumgebungen mit elektrischen Störungen gemäß der Definition in EN61326 vor.

### 6.4 Angaben zum Badzubehör

	ST5	ST12	ST18	ST26	ST38
Fassungsvermögen des Flüssigkeitsbehälters (in Litern)	5	12	18	26	38
Min./max. Flüssigkeitsstand (mm)	85/140	85/140	75/130	125/180	125/180
	P5	P12	P18		
Fassungsvermögen des Flüssigkeitsbehälters (in Litern)	5	12	18		
Min./max. Flüssigkeitsstand (mm)*	85/140	85/140	85/140		

DE

## 7.0 Technische Tipps

---

### 7.1 Welches Wasser sollten Sie in Ihrem Bad verwenden?

Für die langfristige Zuverlässigkeit von Wasserbädern ist es wichtig, dass sauerstoffangereichertes Wasser verwendet wird, das frei von Ionen und Mineralien ist, die zur Korrosion von Edelstahl führen können. Wir empfehlen die Verwendung von destilliertem Wasser und entionisiertem Wasser von modernen Ionenaustauschsystemen, die zur Regeneration der Ionenaustauschpatronen keine Salzurückspülung verwenden.

Edelstahl ist durch eine Chromoxidschicht vor Korrosion geschützt. Wird die Schicht beschädigt, kann der im Wasser vorhandene Sauerstoff die Oxidschicht neu bilden. Ist das Wasser still oder desoxygeniert und die Oxidschicht beschädigt, können Ionen den Edelstahlbehälter angreifen. Wenn ein Wasserbad eine Zeit lang nicht verwendet wurde oder Wasser kochte, empfehlen wir, frisches destilliertes Wasser oder richtiges entionisiertes Wasser zu verwenden.

Wasser enthält in der Regel Calcium- oder Magnesiumionen. Aus entionisiertem Wasser wurden die meisten Ionen entfernt, wie seine Leitfähigkeit zeigt; je reiner das Wasser, desto geringer die Leitfähigkeit. Es ist wichtig, dass nur entionisiertes Wasser von einem Ionenaustauschsystem mit austauschbaren Patronen verwendet wird. Verwenden Sie zur Regenerierung des Ionenaustauschharzes kein entionisiertes Wasser von Ionenaustauschsystemen mit Salzurückspülung, da dadurch auf Edelstahl sehr korrosiv wirkende Natriumionen zurückbleiben können.

### 7.2 Wie lässt sich Rost in Wasserbädern vermeiden

Die meisten Behälter von Grant Instruments sowie Teile, die in eine Flüssigkeit eingetaucht werden, bestehen aus Edelstahl 304, einem äußerst vielseitig einsetzbaren Standardedelstahl. Aufgrund der ausgezeichneten Formgebungseigenschaften dominiert dieser Reinheitsgrad in der Herstellung von Labor- und Industriebädern sowie von Spülbecken und Kochtöpfen. Edelstahl 304 eignet sich bestens für Anwendungen, bei denen Hygiene wichtig ist; er zeichnet sich durch eine gute Wärmebeständigkeit und eine hervorragende Korrosionsbeständigkeit aus.

Jedoch ist Edelstahl trotz seiner Beständigkeit gegenüber allgemeiner Oberflächenkorrosion empfindlich gegenüber bestimmten Korrosionsarten, insbesondere Lochfraß (unter Lochbildung verlaufende Korrosion) und Spannungsrisskorrosion. Er kann auch in bestimmten Umgebungen korrodieren, so z. B. in Umgebungen, die Salz- oder Schwefelsäure enthalten.

Edelstahl wird durch seinen hohen Gehalt an Legierungselementen geschützt, in erster Linie Chrom und Nickel. Chrom ist das wichtigste im Hinblick auf die Korrosionsbeständigkeit, auch wenn Nickel dazu beiträgt, dass das Chrom agieren kann. Das Chrom bildet auf der Edelstahloberfläche eine Oxidschicht, die eine weitere Oxidation hemmt. Diese Schicht haftet äußerst gut am Metallsubstrat; es ist jedoch von entscheidender Bedeutung, dass es intakt bleibt und vor Beschädigung geschützt wird.

Wird die oberflächliche Chromoxidschicht beschädigt, kann der im Wasser vorhandene Sauerstoff die Oxidschicht teilweise neu bilden. Es ist also ratsam sicherzustellen, dass das Wasser stets frisch und gut mit Sauerstoff angereichert ist. Über einen längeren Zeitraum nicht genutzte Bäder sollten geleert und die Feuchtigkeit vom Boden des Behälters abgewischt werden.

In einigen Fällen kann sich auf der Oberfläche eines Edelstahlbehälters eine braune Schicht bilden. In den meisten Fällen handelt es sich dabei nicht um Rost, sondern möglicherweise um eine oberflächliche Ablagerung von Mineralien aus der lokalen Wasserversorgung oder um eisenhaltige Partikel oder Salze, die in den Behälter gefallen sind. Diese Oberflächenablagerungen können gewöhnlich mit einem Haushaltsreiniger (z. B. Metallputzmittel Duraglit oder Silvo) entfernt werden.

### 7.3 Wie lassen sich Algen und Bakterien vermeiden?

Wasserbäder sind die ideale Umgebung für das Wachstum von Mikroorganismen. Bei fehlender Kontrolle kann das Wachstum dieser Organismen zu einer Reihe ernsthafter Probleme und Gesundheitsrisiken durch pathogene Bakterien führen.

Das Wachstum von Algen auf der Oberfläche von Teilen führt zu Biofouling, das Leistungsminderungen verursachen kann.

Saure Stoffwechselprodukte erzeugende Mikroorganismen können durch Depolarisation von Metalloberflächen Biokorrosion hervorrufen.

Auf dem Markt sind zahlreiche Biozide erhältlich.

## 8.0 Garantieinformationen

---

Sofern dieses Produkt unter Laborbedingungen gemäß dieser Bedienungsanleitung verwendet wird, wird darauf eine Garantie von DREI JAHREN auf Material- und Verarbeitungsfehler gewährt.

Eine Garantieverlängerung auf vier und fünf Jahre kann bei unserer Vertriebsabteilung unter [labsales@grantinstruments.com](mailto:labsales@grantinstruments.com) abgeschlossen werden.

## 9.0 Wartung und Service

---

### 9.1 Regelmäßige Wartungsmaßnahmen

Die Übertemperaturabschaltung von TC120 ist regelmäßig zu überprüfen. Drehen Sie dazu den Überhitzungsregler mit einem Schraubendreher solange gegen den Uhrzeigersinn, bis die Alarmanzeige leuchtet. Bei TC120 ertönt außerdem ein Summer und wird auf dem Display „Cut“ angezeigt. Der Überhitzungsregler muss anschließend auf die maximale Einstellung gesetzt werden, ohne dabei den Alarm abzuschalten. TC120 muss aus- und wieder eingeschaltet werden, um zu bestätigen, dass die Abschaltung ordnungsgemäß zurückgesetzt werden kann. Falls die Alarmanzeige nicht leuchtet, wenn der auf dem Überhitzungsregler angezeigte Wert mehr als 10 °C unter der aktuellen, auf dem Hauptdisplay angezeigten Temperatur liegt, muss das Gerät von einer Fachkraft überprüft werden.

Der Schwimmerschalter für die Flüssigkeitsstandüberwachung ist ebenfalls regelmäßig zu überprüfen. Lassen Sie dazu Flüssigkeit aus dem Behälter ab. Der Schwimmerschalter muss ansprechen, wenn der Heizkopf noch in Flüssigkeit eingetaucht ist. Der Schwimmer sollte ebenfalls regelmäßig überprüft werden, um zu gewährleisten, dass keine Kalkablagerungen, Schmutz oder Fremdkörper den Betrieb bei niedrigem Flüssigkeitsstand behindern.

An die Pumpe angeschlossene Schläuche sind regelmäßig zu überprüfen und gegebenenfalls auszuwechseln, um Schlauchdefekte zu vermeiden.

Weitere Maßnahmen zur Routinewartung sind nicht notwendig.

### 9.2 Reinigung

Reinigen Sie die Geräteaußenseiten mit einem feuchten Tuch (nur Wasser verwenden). Verwenden Sie keine chemischen Reinigungsmittel. Vor Anwendung anderer Reinigungs- oder Dekontaminationsverfahren sollten Sie mit Grant Instruments oder dem für Sie zuständigen GRANT-Vertreter abklären, dass diese Methoden keine Schäden am Gerät verursachen. Kesselstein an in Flüssigkeit eingetauchten Teilen kann mit chemischen Kesselsteinentfernungsmitteln für metallische Geräte entfernt werden.



Kesselsteinentfernungsmittel können giftig sein. Beachten Sie stets die Anweisungen des Herstellers.

### 9.3 Sicherungen

Die Sicherungen von T100 und TC120 befinden sich im Geräteinnern und sollten nicht ausgewechselt werden müssen. Bitte wenden Sie sich an die Kundendienstabteilung von Grant Instruments, wenn es am Gerät zu einem Sicherungsausfall kommt.

### 9.4 Auswechseln des Netzkabels

Ersatznetzkabel für die Verwendung mit T100 oder TC120 müssen die gleichen Spezifikationen wie das zusammen mit dem Gerät gelieferte Originalnetzkabel erfüllen, um die Sicherheit des Geräts aufrecht zu erhalten.

Das Kabel muss die folgenden Kennzeichnungen aufweisen: <HAR>, HO5VV-F 3Gx1mm<sup>2</sup> 90 °C und für eine Stromstärke von 10 A ausgelegt sein. Der Netzstecker und die IEC-Netzbuchse müssen von einer europäischen Zertifizierungsstelle zugelassen sein (z. B. BSI, VDE oder entsprechende).

### 9.5 Routinemäßige Sicherheitsprüfungen

Wenn Routineprüfungen durchzuführen sind, empfehlen wir, die Unversehrtheit des Schutzleiters sowie die Isolierung bei 500 V Gleichspannung zu prüfen. Routinemäßige Durchschlagsprüfungen werden für elektrische Geräte nicht empfohlen, da wiederholte Hochspannungsprüfungen das Isoliermaterial angreifen.

### 9.6 Service

Schalten Sie das Gerät aus und wenden Sie sich an Grant Instruments oder Ihren lokalen Vertriebshändler, um das Gerät reparieren zu lassen, wenn eine Instandsetzung erforderlich ist.

Bitte beachten Sie, dass allen eingeschickten Geräten eine Rücksendenummer (RMA-Nr.) beiliegen muss, die Sie bei der Grant Kundendienstabteilung erhalten (Details siehe unten).

Service Department  
Grant Instruments (Cambridge) Ltd  
Shepreth  
Cambridgeshire  
SG8 6GB  
UK

Tel.: +44 (0) 1763 260 811  
Fax: +44 (0) 1763 262 410  
E-Mail: [labservice@grantinstruments.com](mailto:labservice@grantinstruments.com)

## 10.0 Optionales Zubehör

---

Eine vollständige Liste der Zubehörteile und optionalen Zusatzkomponenten finden Sie im Grant Scientific Reference Catalogue (ein Exemplar des Katalogs ist auf Anfrage erhältlich) oder auf der Grant-Website unter [www.grantinstruments.com](http://www.grantinstruments.com).

## 11.0 Problembehebung

Problem	Mögliche Ursache	Erforderliche Maßnahme
Auf dem Display wird „Cut“ angezeigt	Übertemperaturabschaltung wurde ausgelöst	Überprüfen, dass die Solltemperatur korrekt ist und die Temperatur für die Übertemperaturabschaltung auf mindestens 5 °C über der Solltemperatur eingestellt ist. Siehe Kapitel 5.3.1 für Einstellanweisungen.  Zeigt das Gerät den Alarm „Cut“ an, obwohl die Temperatur für die Übertemperaturabschaltung korrekt eingestellt ist, dann liegt ein interner Gerätefehler vor, der vor einem erneuten Einsatz des Geräts behoben werden muss.
Temperatur steigt nicht erwartungsgemäß	Sollwert liegt niedriger als Flüssigkeitstemp.  Sollwert liegt zu nah an der Umgebungstemperatur	Überprüfen, dass der Bad-Sollwert korrekt ist (siehe Kapitel 5.2.3).  Temperatursollwert erhöhen (siehe Kapitel 5.2.3) oder Kühlzubehör anschließen (siehe Kapitel 4.8).
Temperatur steigt übermäßig an	Sollwert ist höher als Flüssigkeitstemp.	Überprüfen, dass der Bad-Sollwert korrekt ist (siehe Kapitel 5.2.3).
Alarmanzeige leuchtet	Übertemperaturabschaltung wurde ausgelöst  Niedriger Flüssigkeitsstand, Schwimmerschalter hat angesprochen	Überprüfen, dass die Übertemperaturabschaltung entsprechend eingestellt wurde (siehe Kapitel 5.3.1).  Überprüfen, dass der Flüssigkeitsstand im Bad angemessen ist (siehe Kapitel 6.4 für Mindestfüllstände).
Temperatursollwert zu beschränkt	Eingestellter Flüssigkeitstyp erlaubt nicht erforderlichen Sollwert	Zu anderem Flüssigkeitstyp wechseln (siehe Kapitel 5.3.5).
Auf dem Display wird „Flot“ angezeigt	Flüssigkeitsstand unter Mindeststand gefallen	Überprüfen, dass der Flüssigkeitsstand im Bad angemessen ist (siehe Kapitel 6.4 für Mindestfüllstände).
Auf dem Display wird „-Al-“ angezeigt	Übertemperaturalarm wurde ausgelöst	Überprüfen, dass der Bad-Sollwert korrekt ist (siehe Kapitel 5.2.3).  Überprüfen, dass der Übertemperaturalarm korrekt ist (Kapitel 5.3.4).  Überprüfen, dass der Flüssigkeitsstand im Bad angemessen ist (siehe Kapitel 6.4 für Mindestfüllstände).
Auf dem Display wird „Er H“ angezeigt	Falscher Kalibrierpunkt	Der Kalibrierpunkt für die Temperaturobergrenze liegt weniger als 40 °C über dem Kalibrierpunkt für die Temperaturuntergrenze – höhere Temperatur auswählen (siehe Kapitel 5.2.6).

DE

Auf dem Display wird „Er L“ angezeigt	Falscher Kalibrierpunkt	Der Kalibrierpunkt für die Temperaturuntergrenze liegt weniger als 40 °C unter dem Kalibrierpunkt für die Temperaturobergrenze – niedrigere Temperatur auswählen (siehe Kapitel 5.2.6).
Auf dem Display wird „Er d“ angezeigt	Falscher Kalibrierpunkt	Der Kalibrierwert liegt mehr als 10 °C über dem Sollwert – Thermometerstand und Sollwert prüfen (siehe Kapitel 5.2.6).
Auf dem Display wird „Open“ angezeigt	Fehlerhafte Temperatursonde	Lassen Sie die Sonde von einer Fachkraft auf einen Leerlauffehler hin prüfen oder wenden Sie sich an Grant.
Auf dem Display wird „Shrt“ angezeigt	Fehlerhafte Temperatursonde	Lassen Sie die Sonde von einer Fachkraft auf einen Kurzschlussfehler hin prüfen oder wenden Sie sich an Grant.
Gerät zeigt unregelmäßige Temperaturen an	Kalibrierungswerte nicht korrekt eingestellt	Werkseitige Kalibriereinstellungen wiederherstellen (siehe Kapitel 5.2.7), anschließend ggf. neu kalibrieren (siehe Kapitel 5.2.6).
Auf dem Display wird „Hot“ angezeigt	Erhitzen von Wasser beim oder nahe am Siedepunkt ohne Deckel  Erhitzen großer Flüssigkeitsmengen mit großen Wärmeverlusten	Deckel verwenden, um Wärmeverluste zu reduzieren und Gerät bei vorliegender Warnung „Hot“ laufen lassen. Wenn der Alarm nicht innerhalb von 1 Stunde erlischt, Grant kontaktieren.  Maßnahmen ergreifen, um Wärmeverluste zu reduzieren und Gerät bei vorliegender Warnung „Hot“ laufen lassen. Wenn der Alarm nicht innerhalb von 1 Stunde erlischt, Grant kontaktieren.
Auf dem Display wird „Fuse“ angezeigt	Fehlerhafte Sicherung(en)	Lassen Sie die internen Sicherungen von einer Fachkraft prüfen oder wenden Sie sich an Grant.
Auf dem Display wird „Crct“ angezeigt	Leiterplatten-Fehler	Lassen Sie das Produkt von einer Fachkraft prüfen oder wenden Sie sich an Grant.
Auf dem Display wird „Self“ angezeigt	Sicherheitsrelais-Fehler	Lassen Sie das Produkt von einer Fachkraft prüfen oder wenden Sie sich an Grant.
Rührermotor dreht sich nicht	Rührwerkspropeller oder Pumpenlaufrad blockiert  Fehlerhafter Motor	Blockierungsursache beseitigen.  Lassen Sie den Motor von einer Fachkraft prüfen oder wenden Sie sich an Grant.
Auf dem Display wird „Cold“ angezeigt	Versehentlich Hersteller-Rückstellmodus aktiviert	Warnung kann durch Drücken der Taste <b>S</b> gelöscht werden; beachten Sie jedoch, dass alle Einstellungen (einschließlich werkseitiger Kalibriereinstellungen) auf die Standardwerte zurückgesetzt werden. Wenn Sie Hilfe benötigen, wenden Sie sich ggf. an die Kundendienstabteilung von Grant Instruments.

Bei allen anderen Fehlern oder Serviceanfragen, wenden Sie sich bitte an die Kundendienstabteilung von Grant Instruments.



## 12.0 Kontaktinformationen von Grant Instruments

---

Grant bemüht sich ständig um die Verbesserung seiner Kundendienstleistungen. Wir sind sehr an Ihrer Meinung über Grants Produkte und Serviceleistungen interessiert. Bitte richten Sie Ihre Kommentare an:

Quality Manager  
Grant Instruments (Cambridge) Ltd  
Shepreth  
Cambridgeshire  
SG8 6GB  
UK

Tel.: +44 (0) 1763 260 811  
Fax: +44 (0) 1763 262 410  
E-Mail: [feedback@grantinstruments.com](mailto:feedback@grantinstruments.com)

## 13.0 Konformität

---

### WEEE-Richtlinie

Grant Instruments erfüllt die Vorschriften der Richtlinie über Elektro- und Elektronik-Altgeräte (WEEE) aus dem Jahr 2006. Wir sind Mitglied des B2B Compliance Schemes (Zulassungsnummer WEE/MP3338PT/SCH), das unsere WEEE-Verpflichtungen für uns übernimmt. Grant Instruments hat von der britischen Environmental Agency eine eindeutige Registrierungsnummer erhalten; diese Referenznummer lautet WEE/GA0048TZ.

Wenden Sie sich bitte direkt an unser B2B Compliance Scheme unter 01691 676 124, wenn Sie Informationen zur Abholung von Elektro- und Elektronik-Altgeräten in Großbritannien benötigen.

In anderen Ländern wenden Sie sich bitte an Ihren Geräteanbieter.

Allgemeine WEEE-Informationen erhalten Sie auf der Website:  
[www.b2bcompliance.org.uk](http://www.b2bcompliance.org.uk)

### RoHS-Richtlinie

Alle in dieser Bedienungsanleitung behandelten Produkte erfüllen die Anforderungen der RoHS-Richtlinie (2002/95/EG).

### Elektrische Sicherheit und elektromagnetische Verträglichkeit

Alle in dieser Bedienungsanleitung behandelten Produkte erfüllen die Anforderungen der Niederspannungsrichtlinie (2006/95/EG) zur elektrischen Sicherheit sowie der EMV-Richtlinie (2004/108/EG) zur elektromagnetischen Verträglichkeit. Siehe Konformitätserklärung auf der hinteren Innenumschlagseite.

DE

**Grant Instrument**, con sede nelle vicinanze di Cambridge, in Inghilterra, è leader mondiale nella produzione e progettazione di apparecchiature per la preparazione di campioni, l'analisi scientifica e l'acquisizione e l'analisi di dati, destinate al mercato scientifico e al mercato industriale internazionale.

#### **Qualità e conformità agli standard.**

Il marchio e la reputazione di Grant si fondano su qualità, affidabilità e precisione. Ci assicuriamo che i nostri prodotti rispondano rigorosamente a tutti gli standard di sicurezza internazionali necessari.

Prestiamo particolare attenzione alla sicurezza dei prodotti con scrupolose procedure di collaudo e applichiamo con rigore lo standard di sicurezza del prodotto per le apparecchiature di laboratorio IEC 61010-1. L'azienda gestisce il proprio laboratorio di collaudo per la sicurezza in conformità ai requisiti della norma ISO 17025.

Grant utilizza un sistema di gestione della qualità conforme ai requisiti della norma BS EN ISO 9001:2008.

Oltre ad impegnarsi per la conformità agli standard, Grant mira a migliorare continuamente ogni aspetto delle sue operazioni, concentrandosi particolarmente sulla comprensione di ciò che più conta per i clienti e i fornitori e sulla progettazione di sistemi che soddisfino le loro esigenze.

Qualsiasi commento o riscontro sui nostri prodotti e servizi è il benvenuto. Inviare a:

Quality Manager  
Grant Instruments (Cambridge) Ltd  
Shepreth  
Cambridgeshire  
SG8 6GB  
UK

Tel.: +44 (0) 1763 260 811  
Fax: +44 (0) 1763 262 410  
E-mail: [feedback@grantinstruments.com](mailto:feedback@grantinstruments.com)

## Sommario

---

Sommario	2
1.0 Uso dei prodotti	4
2.0 Come usare questo manuale	4
3.0 Informazioni sulla sicurezza	5
3.1 Conformità per la sicurezza	5
3.2 Simboli relativi alla sicurezza	5
3.3 Avvertenze per la sicurezza	5
4.0 Istruzioni per l'uso	6
4.1 Istruzioni per la rimozione dell'imballaggio	6
4.2 Installazione del sistema di controllo sui bagni ST	6
4.3 Installazione del sistema di controllo sui bagni P	7
4.4 Installazione del sistema di controllo su bagni specifici	7
4.5 Rimozione del sistema di controllo dal piano a ponte	7
4.6 Liquidi raccomandati	8
4.7 Installazione	9
4.8 Alimentazione elettrica	9
4.9 Uso di un sistema di raffreddamento ausiliario (C1G, C2G, CW5)	9
5.0 Procedure d'uso	10
5.1 Funzionamento	10
5.1.1 Livello del liquido	10
5.1.2 Funzionamento oltre 60°C	10
5.1.3 Uso a basse temperature	10
5.1.4 Uso della pompa (solo TC120)	10
5.1.5 Svuotamento dei bagni ST	11
5.1.6 Configurazione e accensione	11
5.2 Uso dei modelli T100 e TC120	12
5.2.1 Descrizione del prodotto	12
5.2.2 Indicatori del prodotto	12
5.2.3 Impostazione della temperatura di controllo	13
5.2.4 Impostazioni predefinite	13
5.2.5 Funzionamento del bagno in base all'impostazione predefinita	13
5.2.6 Esecuzione della calibrazione	14
5.2.7 Ripristino delle impostazioni di calibrazione di fabbrica	15
5.2.8 Regolazione della luminosità del display	15
5.3 Ulteriori funzioni del TC120	16
5.3.1 Impostazione del termostato di sovratemperatura	16
5.3.2 Impostazione del timer decrementale	16
5.3.3 Disattivazione del timer	17
5.3.4 Impostazione di un allarme per temperatura elevata	17
5.3.5 Selezione del tipo di liquido	17
6.0 Specifiche tecniche	18
6.1 Condizioni d'uso	18
6.2 Particolari elettrici	18
6.3 Prestazioni del prodotto	18
6.4 Informazioni sugli accessori del bagno	18
7.0 Suggerimenti tecnici	19
7.1 Quale acqua usare per il bagno?	19
7.2 Come prevenire la ruggine nei bagni ad acqua	19
7.3 Come prevenire le alghe e i batteri?	20
8.0 Informazioni sulla garanzia	20
9.0 Manutenzione e assistenza	20
9.1 Manutenzione ordinaria	20
9.2 Pulizia	20

9.3	Fusibili	21
9.4	Sostituzione del cavo di alimentazione	21
9.5	Test di routine per la sicurezza	21
9.6	Assistenza	21
10.0	Accessori opzionali	21
11.0	Individuazione dei guasti	22
12.0	Come contattare Grant Instruments	24
13.0	Conformità	24

DOMINIQUE DUTSCHER SAS

## 1.0 Uso dei prodotti

---

Nel presente manuale d'uso sono descritti i seguenti prodotti:

- T100 e T100L
- TC120 e TC120L

I prodotti sopra elencati appartengono ad una serie generica di termostati a immersione da utilizzare con bagni o circolatori e destinati all'uso in ambiente di laboratorio interno da parte di personale qualificato.

## 2.0 Come usare questo manuale

---

Questo manuale d'uso contiene le istruzioni per disimballare, impostare e utilizzare il termostato a immersione in maniera corretta e sicura. Le avvertenze e le informazioni importanti per la sicurezza elencate nel seguito devono essere lette con attenzione. La Sezione 4 fornisce informazioni sulla rimozione dell'imballaggio e sull'installazione del prodotto in maniera corretta. La Sezione 5 fornisce informazioni sul funzionamento dei modelli T100 e TC120. Le sezioni 6 e 7 contengono le specifiche tecniche e alcuni suggerimenti tecnici. Questo prodotto è coperto da una garanzia di TRE ANNI, le cui condizioni sono descritte dettagliatamente nella Sezione 8. La garanzia deve essere registrata compilando il modulo di registrazione online all'indirizzo [www.grantinstruments.com](http://www.grantinstruments.com).

Per questioni tecniche o di altro genere non trattate da questo manuale per il prodotto, si prega di contattare Grant o il locale rivenditore che risponderà volentieri ad ogni ulteriore quesito.

La guida introduttiva fornita insieme ai termostati a immersione T100/TC120 è da intendersi come una guida di riferimento rapido e non deve essere utilizzata finché non si è letto tutto il manuale dell'utente.

## 3.0 Informazioni sulla sicurezza

---

### 3.1 Conformità per la sicurezza

I termostati a immersione Grant rispondono ai requisiti dello standard di sicurezza internazionale IEC 61010 Prescrizioni di sicurezza per apparecchi elettrici di misura, di controllo e da laboratorio. Tali prodotti sono conformi anche ai requisiti delle norme nazionali equivalenti, tra cui:

EN 61010-2-010  
UL 61010A-2-010  
CAN/CSA-C22.2 NO. 61010-2-010-04.

### 3.2 Simboli relativi alla sicurezza

I simboli elencati qui sotto sono riportati sull'apparecchiatura e nel manuale ad indicare quanto segue:



**ATTENZIONE:** le superfici e il liquido di scambio termico possono essere molto caldi durante e dopo l'uso



Leggere il manuale prima di usare il bagno.



Importanti avvertenze per la sicurezza.

### 3.3 Avvertenze per la sicurezza



Leggere tutte le istruzioni riportate in questo manuale. La non conformità alle istruzioni fornite potrebbe compromettere la sicurezza.



Per il modello T100, utilizzare esclusivamente acqua.



Per il TC120, usare solo i liquidi indicati nelle istruzioni per l'uso, rispettando gli intervalli di temperatura specificati. L'accensione della spia di allarme potrebbe segnalare che la temperatura del liquido ha superato il valore massimo consigliato. Non inalare i vapori esalati perché sono potenzialmente tossici. Per lo smaltimento e la sostituzione dei liquidi, attenersi sempre alle norme di sicurezza previste.



Non utilizzare i modelli T100/TC120 con liquidi di scambio termico infiammabili.



Non usare i modelli T100/TC120 per riscaldare campioni che potrebbero causare un incendio o incidente di altro genere.



Non usare l'apparecchiatura in aree in cui siano presenti miscele chimiche aggressive o esplosive.



In caso di versamento accidentale di un liquido potenzialmente pericoloso sull'apparecchiatura o al suo interno, scollegare l'apparecchiatura dalla corrente elettrica e farla controllare da personale competente.



È responsabilità dell'operatore effettuare un'appropriata decontaminazione in caso di versamento di materiale pericoloso sull'apparecchiatura.



Se si accende la spia di allarme, non toccare il liquido o la base della vasca perché potrebbero essere surriscaldati. Rabboccare il liquido con cautela perché il blocco riscaldante quando è surriscaldato può produrre schizzi d'acqua e getti di vapore roventi.



Non toccare le superfici surriscaldate durante il funzionamento ad alte temperature.

## 4.0 Istruzioni per l'uso

### 4.1 Istruzioni per la rimozione dell'imballaggio

L'apparecchiatura standard comprende:

- Termostato a immersione (T100 o TC120)
- Piastre di uscita della pompa (solo TC120)
- Cavo della corrente con spina
- Manuale d'uso
- Guida di avvio rapido

Gli accessori dei bagni ST comprendono:

- Bagno in acciaio inox
- Piano a ponte
- Piatto di circolazione (solo bagni ST18, ST26 e ST38)

Gli accessori dei bagni P comprendono:

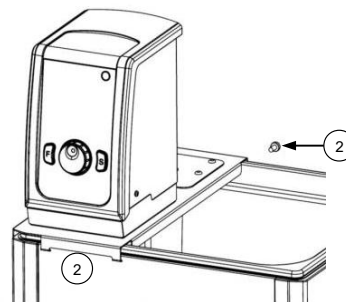
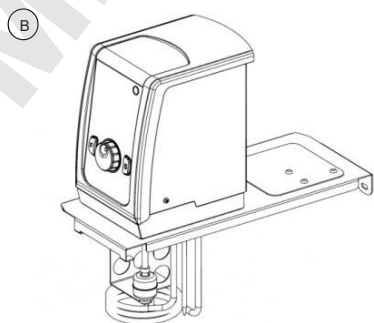
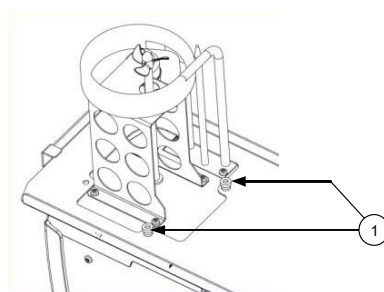
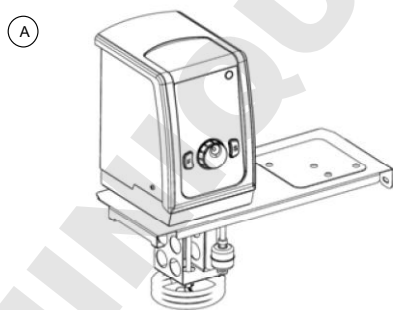
- Bagno in plastica
- Piano a ponte

Rimuovere con cura il materiale dell'imballaggio e conservarlo per spedizioni future o per l'immagazzinamento dell'apparecchiatura.

### 4.2 Installazione del sistema di controllo sui bagni ST

Per praticità, i modelli T100/TC120 possono essere installati sui bagni in acciaio inox ST5, ST12, ST18, ST26 e ST38 in due orientamenti: rivolti verso il bagno ST (A) o rivolti verso l'esterno (B).

1. Inserire il T100/TC120 attraverso il foro sul piano a ponte e allineare seguendo le filettature di riferimento. Fissare per mezzo dei dadi di bloccaggio. Serrare manualmente, senza utensili.
2. Bloccare il gruppo nelle scanalature del bagno ST e fissare sul retro del bagno per mezzo della vite in dotazione.



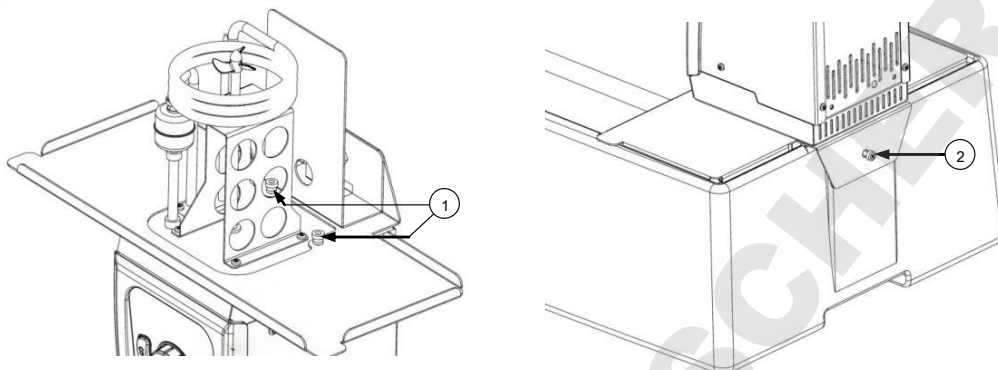
IT

Installare il piatto di circolazione alla base della vasca con l'incavo largo del piatto al di sotto dello strumento (solo ST18, ST26 e ST38).

#### 4.3 Installazione del sistema di controllo sui bagni P

I modelli T100/TC120 possono essere installati sui seguenti bagni in plastica: P5, P12 e P18.

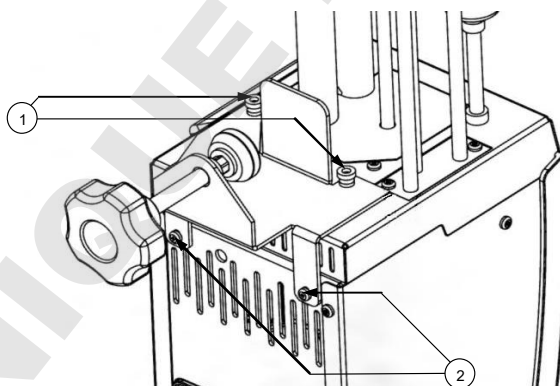
1. Inserire il T100/TC120 attraverso il foro sul piano a ponte e allineare seguendo le filettature di riferimento. Fissare per mezzo dei dadi di bloccaggio. Serrare manualmente, senza utensili.
2. Applicare il gruppo sul bagno P e fissare sul retro del bagno per mezzo della vite in dotazione.



#### 4.4 Installazione del sistema di controllo su bagni specifici

Sui modelli T100/TC120 è possibile montare una pinza che consenta il collegamento di un bagno o recipiente non prodotti da Grant, con pareti di spessore fino a 30 mm. Per montare la pinza sui modelli T100/TC120:

1. Posizionare la pinza sulle filettature di riferimento alla base dei modelli T100/TC120. Fissare per mezzo dei dadi di bloccaggio. Serrare manualmente, senza utensili.
2. Applicare le viti di fissaggio posteriori della pinza per bloccarla sul retro dei modelli T100/TC120.



Fare attenzione a non serrare eccessivamente la pinza, onde evitare di danneggiare la pinza stessa o il recipiente.



Il recipiente del liquido su cui è montato lo strumento deve essere stabile e solido e presentare una resistenza meccanica, chimica e termica adeguata.

Non lavare la pinza in lavapiatti, né pulirla con un disincrostante. Non sommergere le filettature di riferimento della pinza. Dopo la pulizia, lasciare sempre asciugare le filettature e la pinza. Le filettature possono essere lubrificate con una piccola quantità di olio per macchine.



#### 4.5 Rimozione del sistema di controllo dal piano a ponte

Prima di rimuovere il modello T100/TC120 dal piano a ponte attendere il raffreddamento del liquido. Rimuovere con cautela T100/TC120 e piano a ponte dal bagno o recipiente. Prestare attenzione in quanto la pompa contiene residui di liquido che potrebbero fuoriuscire nel maneggiare l'unità. Svitare i dadi di bloccaggio e rimuovere il piano a ponte. Avvitare i dadi di bloccaggio alla filettatura di riferimento per non smarrirli.

#### 4.6 Liquidi raccomandati

La tabella sottostante riporta un elenco dei liquidi raccomandati per i diversi intervalli di temperatura. Verificare sempre che il liquido utilizzato sia sicuro e idoneo alla temperatura di lavoro. In caso di utilizzo di liquidi di scambio termico non raccomandati, è responsabilità dell'utente effettuare una valutazione del liquido volta a verificarne la compatibilità con i modelli T100/TC120 e il recipiente



Per ottenere la massima protezione, l'interruttore di sovratemperatura deve essere impostato in modo adeguato al liquido di scambio termico selezionato (vedere la tabella).



Inoltre è importante regolare l'interruttore di sovratemperatura su un valore non superiore a 25°C sotto il punto di combustione del liquido. In caso di dubbi, rivolgersi all'ufficio di assistenza tecnica di Grant.



Utilizzare estrazione dei fumi durante l'utilizzo fluidi siliconici a temperature elevate

Intervallo di temperatura	Liquido raccomandato	Impostazione dell'interruttore di sovratemperatura	Commenti
da -30°C a 30°C	50% acqua, 50% antigelo (etilen glicole inibito)	40°C	AVVERTENZA: L'etilen glicole è tossico. Seguire le istruzioni del fabbricante.
da 0°C a 30°C	80% acqua, 20% antigelo (etilen glicole inibito)	40°C	Per uno smaltimento appropriato, consultare le normative locali. Utilizzare un coperchio per ridurre la diluizione della miscela dovuta alla condensazione del vapore acqueo proveniente dall'aria e mantenere l'efficacia di raffreddamento.
da 5°C a 99,9°C	Acqua*	110°C	È possibile utilizzare acqua ma occorre prestare attenzione oltre 60°C poiché il vapore acqueo può essere pericoloso. A temperature superiori a 60°C usare sempre un coperchio o sfere in polipropilene al fine di garantire buone prestazioni e ridurre l'evaporazione. A temperature prossime a 99°C, le prestazioni termiche saranno alterate a causa dell'ebollizione localizzata. Non utilizzare gli apparecchi per far bollire acqua.
da 70°C a 120°C	Olio di silicone Viscosità ~20cs Punto di infiammabilità ≥230°C Punto di combustione ≥280°C	130°C	L'olio di silicone Dow Corning DC200/20 è un liquido idoneo. Seguire le istruzioni del fabbricante. Per uno smaltimento appropriato, consultare le normative locali.

\* Per ulteriori dettagli consultare la sezione 7.1.

#### 4.7 Installazione



Posizionare il bagno ad acqua su una superficie piana e non infiammabile. Verificare che la spina elettrica e l'interruttore sul retro dell'unità siano facilmente accessibili.



Se l'apparecchiatura è stata trasportata o immagazzinata in ambienti freddi o umidi, è possibile che si sia formata condensa al suo interno. In tal caso, lasciare l'apparecchiatura per almeno 2 ore a temperatura ambiente prima dell'uso per fare in modo che la condensa evapori.



Non bloccare od ostruire le prese d'aria.

#### 4.8 Alimentazione elettrica



Controllare che la tensione di alimentazione indicata sull'etichetta del numero di serie e il tipo di spina siano corretti per la presa di corrente e che sia predisposto un connettore di messa a terra.

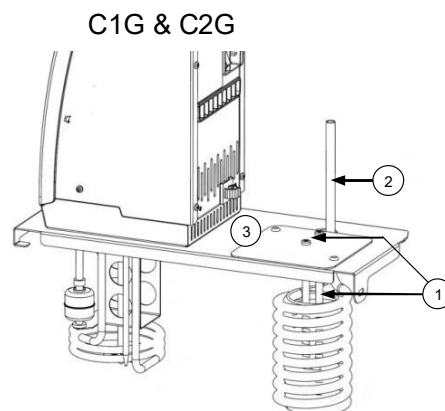
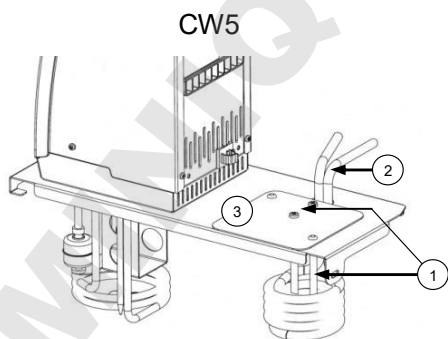


I modelli T100/TC120 devono essere collegati alla rete di alimentazione esclusivamente per mezzo del cavo in dotazione o di un cavo con specifiche elettriche identiche (vedere la Sezione 9.4)

#### 4.9 Uso di un sistema di raffreddamento ausiliario (C1G, C2G, CW5)

Per l'uso a temperature inferiori alla temperatura ambiente è necessario un sistema di raffreddamento ausiliario. Per l'uso a temperature fino a  $-15^{\circ}\text{C}$  è possibile utilizzare refrigeratori a immersione (C1G e C2G). Per l'uso a temperature corrispondenti o prossime alla temperatura ambiente è possibile utilizzare una bobina di scambio termico per acqua (CW5). Per montare le bobine:

1. Collegare al coperchio la barretta di riferimento a u della bobina utilizzando le due viti di fissaggio in dotazione.
2. Montare la bobina di raffreddamento attraverso il foro sul piano a monte e allineare i tubi di uscita alla tacca.
3. Applicare il coperchio sul piano a ponte e fissare per mezzo delle viti in dotazione. La barretta di riferimento della bobina dovrebbe esercitare una pressione contro l'interno della bobina stessa e trattenerla rigidamente. Prima di mettere in funzione, verificare che la bobina sia trattenuta in maniera sicura.



## 5.0 Procedure d'uso

---

### 5.1 Funzionamento

#### 5.1.1 Livello del liquido

Il livello minimo e massimo del liquido sono definiti nella Sezione 6.4 relativa ai bagni ausiliari Grant. Il livello del liquido deve essere sempre mantenuto tra i due limiti. Questi livelli sono validi sia quando non ci sono recipienti nel bagno, sia quando il bagno è pieno. Qualora si utilizzino liquidi che possono evaporare, è necessario controllare regolarmente il livello ed eventualmente rabboccare. Quando il liquido scende al di sotto del livello minimo necessario, l'interruttore a galleggiante del livello minimo attiva un allarme e l'unità disattiva il riscaldatore e il controllo della temperatura.

#### 5.1.2 Funzionamento oltre 60°C

A temperature superiori a 60°C è necessario usare un coperchio o sfere in polipropilene al fine di mantenere il controllo della temperatura e garantire il raggiungimento della temperatura di riferimento da parte del liquido del bagno. Tale accorgimento consentirà inoltre un risparmio energetico impedendo un'eccessiva evaporazione e riducendo così la frequenza di riempimento del bagno. Come forma di precauzione, i modelli T100/TC120 possono visualizzare 'Hot' se l'acqua si trova a una temperatura pari o prossima alla temperatura di ebollizione per periodi di tempo prolungati o qualora vengano riscaldati elevati volumi d'acqua o di liquido con considerevole dissipazione termica senza uso di coperchio o di sfere di polipropilene. Per ulteriori istruzioni si veda la Sezione 11. Assicurarsi che le prese d'aria posteriori non si ostruiscano e ridurre al minimo l'aspirazione di vapore o fumi durante l'uso in prossimità di acqua in ebollizione o di altri liquidi in evaporazione.



Prestare attenzione quando si solleva e si toglie il coperchio perché può essersi surriscaldato. Il vapore e l'acqua ad altissima temperatura possono causare scottature.

#### 5.1.3 Uso a basse temperature

Per l'uso controllato a temperatura ambiente o inferiore è necessario un sistema di raffreddamento ausiliario. La temperatura operativa minima senza sistema di raffreddamento ausiliario dipende dalle dimensioni del bagno. I bagni di piccole dimensioni, P5 e ST5, hanno una temperatura operativa minima di circa 10°C al di sopra della temperatura ambiente senza coperchio, e di 15°C al di sopra della temperatura ambiente con coperchio. A temperature di 5°C al di sopra della temperatura ambiente è possibile utilizzare bagni di altre dimensioni.

#### 5.1.4 Uso della pompa (solo TC120)

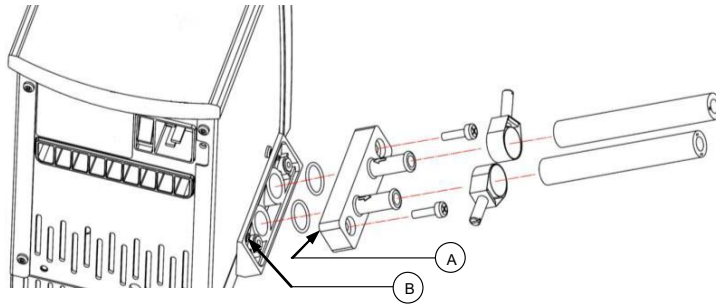
Il termostato TC120 consente di immettere il liquido in un sistema esterno chiuso (non aperto all'atmosfera) e può essere utilizzato per la circolazione in una vasca esterna aperta solo in presenza di un sistema di ritorno a gravità. I sistemi aperti devono essere sottoposti a un'attenta valutazione volta a garantire la stabilità del livello del liquido durante il funzionamento e ad escludere il rischio che i serbatoi possano restare a secco o trascinare. La pompa è provvista di piastra otturatrice. Montare una piastra di raccordo pompa come illustrato sotto. Nota: le piastre di otturazione/raccordo sono dotate di foro di riferimento (vedere A, di seguito) che consente di ottenere un corretto allineamento rispetto al corpo pompa. È importante verificare che il foro sia allineato al perno di riferimento corrispondente (vedere B, di seguito) sul corpo pompa. Diversamente, il raccordo ottenuto non sarà a tenuta stagna. Conservare la piastra otturatrice della pompa per rimontarla quando la pompa non servirà più.



Utilizzare sempre raccordi pompa e tubi flessibili idonei alla temperatura operativa e al liquido utilizzato. Verificare che i raccordi dei tubi siano sicuri.



Non scollegare mai tubi o flessibili che potrebbero contenere liquidi a temperature molto elevate o durante il funzionamento del TC120.



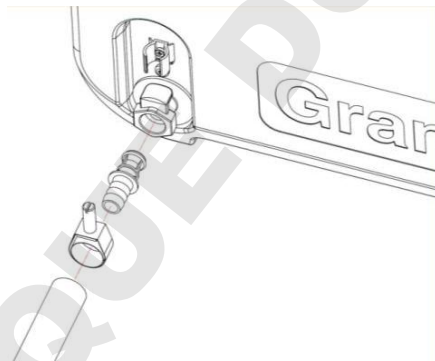
Il pompaggio del liquido di scambio termico in un sistema esterno può comportare dei rischi al di fuori del controllo di Grant Instruments. È essenziale che l'operatore effettui una valutazione dei rischi dell'intera installazione volta a verificare che i materiali utilizzati presentino le specifiche corrette e che il sistema possa essere utilizzato in tutta sicurezza.

### 5.1.5 Svuotamento dei bagni ST

I bagni ST12, ST18, ST26 e ST38 devono essere svuotati fino a un livello sicuro prima di essere spostati. Questi bagni sono provvisti di rubinetto di drenaggio che ne consente un pratico svuotamento.

Prima di svuotare, consentire alla temperatura di scendere a un livello sicuro. Se il bagno viene svuotato a temperature superiori a 50°C, il meccanismo di drenaggio subirà dei danni e dovrà essere sostituito. Adottare ogni ragionevole precauzione volta ad evitare fuoriuscite accidentali.

Svuotare il bagno premendo il raccordo nel rubinetto di scarico (come illustrato qui sotto). Si osservi che il liquido del bagno inizia a fuoriuscire non appena si inserisce a fondo il raccordo. All'estremità a punta del raccordo di scarico può essere eventualmente collegato uno spezzone di tubo.



### 5.1.6 Configurazione e accensione

Collegare il termostato T100/TC120 a una fonte di alimentazione con collegamento a terra e valori di tensione e frequenza compresi nell'intervallo specificato sulla targhetta dati.

Collegare saldamente il T100/TC120 al bagno o recipiente desiderato. Aggiungere il liquido appropriato fino almeno al livello minimo raccomandato in modo da sollevare completamente l'interruttore a galleggiante del livello.

Accendere il T100/TC120 per mezzo dell'apposito interruttore sul retro dell'unità. Il motore si avvierà immediatamente e il cicalino si attiva mentre l'unità entra in funzione. Durante la fase di avviamento, il display visualizza il tipo di modello seguito dalla versione software e infine dalla temperatura del liquido in uso. Il T100/TC120 è ora pronto per l'uso.

Per scollegare l'apparecchiatura dall'alimentazione di rete, rimuovere la spina dalla presa di corrente.

## 5.2 Uso dei modelli T100 e TC120

### 5.2.1 Descrizione del prodotto



### 5.2.2 Indicatori del prodotto

I modelli T100/TC120 presentano due indicatori luminosi:

- Indicatore di accensione del riscaldatore (luce arancione) contrassegnato dal simbolo ☹
- Indicatore di allarme (luce rossa) contrassegnato dal simbolo !

L'indicatore di allarme si accende per indicare le seguenti condizioni di errore:

- L'interruttore a galleggiante è stato attivato a causa del basso livello del liquido
- L'interruttore di sovratemperatura è stato attivato
- Guasto della sonda della temperatura

La causa dell'allarme sarà visualizzata anche sul display.

Normalmente il display visualizza la temperatura del liquido controllato in °C.

Il pulsante **S**(et) consente di selezionare e salvare i parametri, mentre il pulsante **F**(unction) consente di accedere alle opzioni di menu e di annullare le funzioni.

La manopola principale consente di modificare i valori della temperatura e altri parametri impostabili.

### 5.2.3 Impostazione della temperatura di controllo

La temperatura del liquido del bagno può essere impostata utilizzando il pulsante **S**.

1. Quando il display indica la temperatura del bagno, premere il pulsante **S**. Il display lampeggia per indicare che si può procedere all'impostazione.
2. Utilizzare la manopola principale per impostare la temperatura desiderata.  
*Se non si preme alcun tasto per 10 secondi, il display ritorna all'indicazione della temperatura effettiva e la temperatura impostata rimane al valore originario.*
3. Premendo il pulsante **S** si memorizza il valore richiesto e il display torna all'indicazione della temperatura del bagno.  
*Se la temperatura selezionata è più elevata della temperatura corrente del liquido, la spia del riscaldatore si accende.*

### 5.2.4 Impostazioni predefinite

Ogni T100/TC120 contiene tre impostazioni predefinite di temperatura configurabili per azionare il bagno alle temperature utilizzate più di frequente. Procedere come segue per configurare l'impostazione predefinita 1 e, analogamente, le altre impostazioni predefinite.

Ricordare che un'impostazione predefinita salvata con la procedura descritta sotto sarà attivata automaticamente al completamento di tutti i passaggi.

1. Premere il pulsante **F** e ruotare la manopola fino a visualizzare sul display "t-1".  
*Il display alterna tra il numero predefinito e la temperatura corrispondente.*
2. Premere il pulsante **S** per salvare l'impostazione predefinita.
3. Impostare la temperatura predefinita desiderata per mezzo della manopola.  
*Se non si preme alcun tasto per 10 secondi, il display ritorna all'indicazione della temperatura effettiva e la temperatura predefinita rimane al valore originario.*
4. Premere il pulsante **S** per salvare la temperatura predefinita.  
*L'impostazione predefinita viene attivata automaticamente appena salvato il valore.*

Le temperature predefinite e le temperature impostate dipendono dal modello e dal liquido. L'intervallo impostabile è compreso tra 0 e 100°C per il modello T100 e tra -25°C e 120°C per il modello TC120. Le impostazioni predefinite di fabbrica sono elencate nella tabella sottostante.

Impostazione predefinita	Intervallo di regolazione della temperatura
t-1	37°C
t-2	56°C
t-3	72°C

### 5.2.5 Funzionamento del bagno in base all'impostazione predefinita

1. Premere il pulsante **F** e ruotare la manopola fino a visualizzare sul display l'impostazione predefinita corretta.
2. Premere il pulsante **S** per salvare l'impostazione predefinita.
3. Premere il pulsante **S** per impostare il bagno sulla temperatura predefinita.

## 5.2.6 Esecuzione della calibrazione

I modelli T100 e TC120 consentono di eseguire una calibrazione a due punti. Il menu della calibrazione è accessibile premendo simultaneamente i pulsanti **F** e **S** per circa 5 secondi.

Le temperature di calibrazione sono circoscritte dai limiti di temperatura previsti dall'impostazione del tipo di liquido. La calibrazione deve essere effettuata per mezzo di un termometro di riferimento tracciabile con un'accuratezza di almeno 0,1°C. Il termometro utilizzato deve essere posizionato in maniera stabile al centro del bagno o del recipiente.

La calibrazione di T100/TC120 si effettua in due fasi, una compensazione a bassa temperatura e una ad alta temperatura. Il punto di calibrazione della temperatura massima deve essere superiore di almeno 40°C rispetto al punto di bassa temperatura.

I punti di calibrazione devono essere scelti in corrispondenza di temperature sperimentali critiche a cui l'accuratezza è importante, oppure agli estremi dell'intervallo operativo delle temperature adottate.

Se si imposta il solo punto di calibrazione della temperatura minima, la calibrazione sarà effettuata tra questo punto e 100°C, con un decremento lineare della compensazione. Se si imposta il solo punto di calibrazione della temperatura massima, la calibrazione sarà effettuata tra 0°C e questo punto, con un decremento lineare della compensazione.

Se il valore del termometro viene inserito prima che l'unità sia perfettamente stabile, la calibrazione potrebbe non risultare adeguata e le misurazioni della temperatura del liquido potrebbero non essere corrette. Se dopo la calibrazione il T100/TC120 non corrisponde al termometro, la calibrazione potrebbe non essere adeguata e l'unità dovrebbe essere resettata.

### Impostazione della compensazione della temperatura minima

1. Regolare la temperatura impostata sul punto di calibrazione della temperatura minima desiderato.
2. Una volta raggiunta una condizione di temperatura stabile, lasciare che lo strumento si stabilizzi per almeno 5 minuti.
3. Misurare la temperatura del liquido collocando il termometro di riferimento al centro del bagno.
4. Premere simultaneamente i pulsanti **F** e **S** per circa 5 secondi fino a visualizzare "LCAL".
5. Premere il pulsante **S** per effettuare la selezione.
6. Utilizzare la manopola principale per aggiornare il display in modo da visualizzare la temperatura rilevata dal termometro di riferimento.
7. Premere il pulsante **S** per salvare la temperatura.  
*Premere il pulsante F per annullare la calibrazione.*
8. Premere il pulsante **F** per tornare alla visualizzazione della temperatura del liquido.

### Impostazione della compensazione della temperatura massima

1. Regolare la temperatura impostata sul punto di calibrazione della temperatura massima desiderato.
2. Una volta raggiunta una condizione di temperatura stabile, lasciare che lo strumento si stabilizzi per almeno 5 minuti.
3. Misurare la temperatura del liquido collocando il termometro di riferimento al centro del bagno.
4. Premere simultaneamente i pulsanti **F** e **S** per circa 5 secondi fino a visualizzare "LCAL".
5. Ruotare la manopola fino a visualizzare "HCAL" e premere il pulsante **S** per selezionare.
6. Utilizzare la manopola principale per aggiornare il display in modo da visualizzare la temperatura rilevata dal termometro di riferimento.
7. Premere il pulsante **S** per salvare la temperatura.  
*Premere il pulsante F per annullare la calibrazione.*

### 5.2.7 Ripristino delle impostazioni di calibrazione di fabbrica

La funzione di ripristino della calibrazione di fabbrica consente di cancellare le impostazioni dell'unità in caso di problemi durante una calibrazione o semplicemente si desidera cancellare qualsiasi impostazione di calibrazione.

1. Premere simultaneamente i pulsanti **F** e **S** per circa 5 secondi fino a visualizzare "LCAL".
2. Ruotare la manopola fino a visualizzare "rST" e premere il pulsante **S** per selezionare.
3. Premere quattro volte il pulsante **S**: il display visualizza "Con.3", "Con.2", "Con.1" mentre il cicalino emette un suono a conferma del ripristino delle impostazioni di fabbrica.

### 5.2.8 Regolazione della luminosità del display

Se necessario, è possibile regolare la luminosità del display su un intervallo di valori limitato (dal 20% al 100%).

1. Premere simultaneamente i pulsanti **F** e **S** per circa 5 secondi fino a visualizzare "LCAL".
2. Ruotare la manopola fino a visualizzare "disP" e premere il pulsante **S** per selezionare.
3. Ruotare la manopola e selezionare il valore di luminosità desiderato.  
*I valori visualizzati indicano la luminosità del display.*
4. Premere il pulsante **S** per salvare il valore.
5. Premere il pulsante **F** per tornare alla visualizzazione della temperatura normale.



## 5.3 Ulteriori funzioni del TC120

### 5.3.1 Impostazione del termostato di sovratemperatura

Sull'angolo superiore destro dell'unità è ubicata la manopola dell'interruttore di sovratemperatura. La sonda di sovratemperatura monitorizza indipendentemente la temperatura del bagno e spegne il riscaldatore qualora venga superata la soglia di interruzione. Tale soglia è impostata su 110 °C per il modello T100. Per il modello TC120, è regolabile per una maggiore praticità.

#### Impostazione approssimativa del termostato di sovratemperatura

Ruotare la manopola dell'interruttore della temperatura fino all'impostazione desiderata. Tale temperatura deve essere superiore rispetto alla temperatura impostata, in modo da evitare l'attivazione dell'interruttore prima del raggiungimento della temperatura impostata stessa.

Se l'allarme viene attivato, è possibile disattivarlo premendo una volta il pulsante **F** o **S**. Per eliminare l'allarme di interruzione è quindi necessario spegnere l'unità. Per continuare a utilizzare il TC120, attendere che il liquido del bagno si raffreddi di almeno 5°C in maniera naturale oppure sostituendo il liquido. È quindi possibile riaccendere il TC120 e utilizzarlo a temperature fino a 5°C in meno rispetto al valore di interruzione della temperatura.

#### Impostazione alternativa del termostato di sovratemperatura

Ruotare la manopola dell'interruttore della temperatura fino al massimo (o almeno fino a un valore superiore al livello richiesto) e configurare la temperatura impostata sul livello di interruzione desiderato. Attendere che il bagno raggiunga la temperatura impostata e si stabilizzi per almeno 5 minuti. Ruotare lentamente la manopola di interruzione in senso antiorario fino a quando la spia dell'allarme si accenderà e l'allarme emetterà un suono intermittente. Il display alterna tra "Cut" e la temperatura del liquido. In questo modo si ottiene un valore di intervento per sovratemperatura corrispondente alla temperatura impostata. L'allarme acustico può essere disattivato premendo una volta il pulsante **F** o **S**.

Per eliminare l'allarme di interruzione è quindi necessario spegnere l'unità. Per continuare a utilizzare il TC120, attendere che il liquido del bagno si raffreddi di almeno 5°C in maniera naturale oppure sostituendo il liquido. È quindi possibile riaccendere il TC120 e utilizzarlo a temperature fino a 5°C in meno rispetto al valore di interruzione della temperatura.

### 5.3.2 Impostazione del timer decrementale

Il TC120 comprende un timer decrementale in minuti che attiva un segnale acustico allo scadere del tempo impostato. Il timer può essere impostato tra 1 e 6000 minuti (100 ore).

1. Premere due volte il pulsante **F**: il display visualizza "Cloc".
2. Premere il pulsante **S** per effettuare la selezione.
3. Usare la manopola principale per selezionare "On" e premere il pulsante **S** per effettuare la selezione. Il display visualizza a intermittenza l'ora (in minuti) indicata. Ruotare il comando di navigazione per impostare il tempo richiesto.
4. Premere il pulsante **S** per salvare e tornare alla visualizzazione della temperatura del liquido con il conteggio decrementale avviato.

Quando il timer decrementale è impostato, il display visualizza alternatamente la temperatura del bagno e il tempo residuo in minuti.

Quando il timer decrementale arriva a zero, si attiva l'avvisatore acustico e il display alterna tra la temperatura dell'acqua e "End". È possibile confermare l'allarme premendo il pulsante **F** o **S**.

**Nota: il TC120 continua a controllare alla temperatura impostata anche dopo il raggiungimento dello zero. Il riscaldatore non si spegne.**

### 5.3.3 Disattivazione del timer

Il timer decrementale può essere facilmente disattivato.

1. Premere due volte il pulsante **F**: il display visualizza "Cloc".
2. Premere il pulsante **S** per effettuare la selezione.
3. Usare la manopola principale per selezionare "Off" e premere il pulsante **S** per effettuare la selezione. Il display torna a visualizzare la temperatura del bagno e il timer è disattivato.

### 5.3.4 Impostazione di un allarme per temperatura elevata

L'allarme per temperatura elevata attiva un segnale acustico quando la temperatura del bagno supera un determinato livello.

1. Premere tre volte il pulsante **F**: il display visualizza "Alar".
2. Premere il pulsante **S** per effettuare la selezione.
3. Usare la manopola principale per selezionare "On" e premere il pulsante **S** per effettuare la selezione. Il display visualizza a intermittenza il valore dell'allarme per temperatura elevata. Ruotare la manopola per impostare l'allarme per temperatura elevata desiderato.
4. Premere il pulsante **S** per salvare e tornare alla temperatura del liquido.

Se la temperatura associata all'allarme viene superata, il TC120 emette un segnale acustico intermittente e visualizza "-Al-" sul display. Per riconoscere e tacitare l'allarme, premere il pulsante **F** o **S**. L'allarme tuttavia non viene disattivato e scatta nuovamente nel caso in cui la temperatura superi il valore impostato. L'allarme può essere disattivato seguendo la procedura appena descritta, portando però la manopola su "Off" al punto 3 e premendo il pulsante **S** per confermare.

**Nota: l'allarme per temperatura elevata non spegne il riscaldatore.**

### 5.3.5 Selezione del tipo di liquido

L'intervallo della temperatura impostata dipende dal tipo di liquido.

1. Premere quattro volte il pulsante **F**: il display visualizza il tipo di liquido in uso.
2. Utilizzare la manopola principale per selezionare il liquido desiderato.
3. Premere il pulsante **S** per impostare il tipo di liquido e tornare a visualizzare la temperatura normale.

In base al liquido selezionato, l'intervallo impostabile varia come segue:

Liquido	Impostazione dell'intervallo della temperatura
H2O	da 0°C a 100°C
Olio	da 0°C a 120°C
LTL*	da -25°C a 50°C

\* LTL = liquido a bassa temperatura (low temperature liquid), per esempio 50% acqua/50% glicole

## 6.0 Specifiche tecniche

### 6.1 Condizioni d'uso

Intervallo temperatura ambiente	da 5 a 40°C
Altitudine sul livello del mare	Fino a 2.000m
Ambiente operativo	Esclusivamente per l'uso in ambiente interno.
Umidità relativa massima	80% UR fino a 31°C, con riduzione al 50% UR a 40°C

### 6.2 Particolari elettrici

Alimentazione elettrica di rete: 220-240 V a 50/60 Hz o 110-120V a 50/60 Hz

Grado di inquinamento: 2

Categoria di installazione: II

Le fluttuazioni della tensione di rete non devono superare il  $\pm 10\%$  della tensione nominale.

### 6.3 Prestazioni del prodotto

	T100	T100L	TC120	TC120L
Intervallo di temperatura configurabile	da 0°C a 100°C		da -25°C a 120°C	
Temperatura minima di esercizio	da 5°C a 100°C		da -25°C a 120°C	
Stabilità (DIN 12876)	$\pm 0,05^\circ\text{C} \dagger$			
Uniformità (DIN 12876)	$\pm 0,1^\circ\text{C}$			
Pressione max. alla testa della pompa	-		210 mBar (in assenza di flusso)	
Portata max. della pompa	-		16 l/min	
Consumo max. di elettricità	6,5A	12,5A	6,5A	12,5A
Potenza del blocco riscaldante	1,3 kW	1,4 kW	1,3 kW	1,4 kW

† La presenza di intensi campi di radiofrequenza (10 V/m) a 380-400 MHz può compromettere la stabilità della temperatura ( $\pm 0,3^\circ\text{C}$ ). Tale livello di interferenza è molto improbabile se non in ambienti industriali soggetti a disturbi elettrici secondo la definizione dello standard EN61326.

### 6.4 Informazioni sugli accessori del bagno

	ST5	ST12	ST18	ST26	ST38
Capacità della vasca (litri)	5	12	18	26	38
Profondità minima/massima del liquido (mm)	85/140	85/140	75/130	125/180	125/180

	P5	P12	P18
Capacità della vasca (litri)	5	12	18
Profondità minima/massima del liquido (mm)*	85/140	85/140	85/140

## 7.0 Suggerimenti tecnici

---

### 7.1 Quale acqua usare per il bagno?

Per un'affidabilità a lungo termine dei bagni ad acqua, è importante usare acqua ossigenata priva di ioni e minerali che possano corrodere l'acciaio inossidabile. È consigliato l'uso di acqua distillata e deionizzata proveniente dai moderni sistemi a scambio ionico che non usano il lavaggio a base di sali per rigenerare le cartucce a scambio ionico.

L'acciaio inossidabile è protetto dalla corrosione da uno strato di ossido di cromo. Se lo strato è danneggiato, l'ossigeno presente nell'acqua può riformare lo strato di ossido. Se l'acqua è distillata o deossigenata e lo strato di ossido è danneggiato, gli ioni possono corrodere la vasca in acciaio inossidabile. Se il bagno ad acqua è rimasto inutilizzato o l'acqua non è stata bollita per qualche tempo, consigliamo di usare acqua distillata nuova o acqua deionizzata corretta.

L'acqua normalmente contiene ioni di calcio o magnesio. L'acqua deionizzata è priva della maggior parte degli ioni come indica il suo livello di conduttività; più pura l'acqua, minore la conduttività. È importante usare solo acqua deionizzata proveniente da un sistema a scambio ionico con cartucce sostituibili. Non utilizzare acqua deionizzata proveniente da un sistema a scambio ionico con meccanismo di lavaggio a base di sali per rigenerare la resina a scambio ionico, poiché questo sistema può lasciare ioni di sodio residui che hanno un effetto molto corrosivo sull'acciaio inossidabile.

### 7.2 Come prevenire la ruggine nei bagni ad acqua

La maggior parte delle vasche Grant, come pure le parti immerse, sono realizzate in acciaio inossidabile di tipo 304, un grado di acciaio inossidabile per uso generico estremamente versatile. È l'eccellente lavorabilità che ha fatto di questo tipo di acciaio il più importante nella produzione di bagni ad acqua industriali e di laboratorio, oltreché di lavandini domestici e pentole. L'acciaio inossidabile 304 è particolarmente adatto alle applicazioni nelle quali l'igiene sia un fattore importante; dimostra una buona resistenza al calore e un'eccellente resistenza alla corrosione.

Tuttavia, sebbene sia resistente alla corrosione generica delle superfici, l'acciaio inossidabile è sensibile a tipi specifici di corrosione, in particolare vaiolatura e tensiocorrosione. L'acciaio inossidabile può essere soggetto anche a corrosione generica in ambienti specifici, come quelli contenenti acido cloridrico o acido solforico.

L'acciaio inossidabile è protetto dal suo alto tenore di elementi di lega, principalmente cromo e nichel. Il cromo è l'elemento più importante per la resistenza alla corrosione, coadiuvato nella sua funzione dal nichel. Il cromo forma uno strato di ossido sulla superficie dell'acciaio che inibisce ogni ulteriore ossidazione. Questo strato aderisce molto bene al substrato di metallo, ma è essenziale che rimanga integro e deve essere protetto da vari tipi di danneggiamento.

Se lo strato di ossido di cromo superficiale è danneggiato, l'ossigeno presente nell'acqua può riformare lo strato di ossido, quindi è consigliabile assicurare che l'acqua sia sempre non sfruttata e ben ossigenata. I bagni che rimangono inutilizzati per un lungo periodo di tempo devono essere svuotati e asciugati da tutta l'umidità sul fondo della vasca.

In alcuni casi è possibile che compaia uno strato marrone sulla superficie della vasca in acciaio inossidabile. Molto spesso non si tratta di ruggine, ma di un deposito superficiale di minerali della fornitura idrica locale oppure di particelle ferrose o sali caduti nella vasca. Questi depositi possono normalmente essere rimossi con prodotti per la pulizia domestica come il lucido per metalli Duraglit o Silvo.

### 7.3 Come prevenire le alghe e i batteri?

I bagni ad acqua forniscono l'ambiente ideale per lo sviluppo di microrganismi. Se non controllato, tale sviluppo può causare una serie di gravi problemi e rischi per la salute derivanti da batteri patogeni.

Lo sviluppo di alghe sulla superficie dei componenti causa incrostazioni biologiche che possono ridurre le prestazioni del bagno.

I microrganismi che generano sottoprodotti metabolici acidi possono dar luogo a una corrosione di tipo biologico tramite la depolarizzazione delle superfici metalliche.

Sul mercato sono disponibili diversi biocidi.

## 8.0 Informazioni sulla garanzia

---

Se usato in un ambiente di laboratorio e in base alle presenti istruzioni, questo prodotto è garantito per TRE ANNI contro difetti di materiali o lavorazione.

È possibile estendere la garanzia a quattro o cinque anni rivolgendosi al nostro ufficio vendite all'indirizzo [labsales@grantinstruments.com](mailto:labsales@grantinstruments.com).

## 9.0 Manutenzione e assistenza

---

### 9.1 Manutenzione ordinaria

L'interruttore di sovratemperatura del TC120 deve essere controllato periodicamente ruotando la manopola di sovratemperatura in senso antiorario per mezzo di un cacciavite fino all'accensione dell'indicatore luminoso. Nel TC120 si attiva anche un segnale acustico e il display visualizza "Cut". La manopola di sovratemperatura deve quindi essere ruotata sull'impostazione massima senza che l'allarme si disattivi. Spegner e riaccendere il TC120 per verificare che l'interruttore possa essere ripristinato correttamente. Se l'indicatore luminoso non si accende quando il valore indicato dalla manopola di sovratemperatura è più di 10°C al di sotto della temperatura corrente indicata dal display principale, è necessario sottoporre l'unità a un controllo da parte di un tecnico competente.

È opportuno controllare periodicamente anche il dispositivo di controllo del livello del liquido, facendo calare il livello del liquido nel bagno e verificando che l'apparecchio si scolleghi quando la curva superiore dell'elemento riscaldante è ancora immersa nel liquido. È inoltre opportuno controllare periodicamente il galleggiante per escludere la presenza di calcare, sporcizia o corpi estranei che possano ostacolare il funzionamento in caso di livelli di liquido bassi.

Se sono installati tubi sulla pompa, è opportuno ispezionarli periodicamente ed eventualmente sostituirli per evitare guasti o rotture.

Non sono richiesti altri interventi di manutenzione ordinaria.

### 9.2 Pulizia

Pulire le superfici esterne dell'apparecchiatura con un panno inumidito di sola acqua. Non usare prodotti chimici. Prima di usare qualsiasi altro metodo di pulizia o decontaminazione, consultare GRANT o il rappresentante GRANT locale per assicurarsi di non danneggiare l'apparecchiatura. Le incrostazioni sulle parti immerse possono essere rimosse con idonei prodotti chimici destinati alla disincrostazione di apparecchi che comprendono parti metalliche.



I prodotti disincrostanti possono essere tossici. Seguire le istruzioni del produttore.

### 9.3 Fusibili

I fusibili del T100 e del TC120 sono interni e non dovrebbero necessitare di sostituzioni. In caso di guasto dei fusibili rivolgersi all'ufficio assistenza di Grant Instruments.

### 9.4 Sostituzione del cavo di alimentazione

Qualsiasi cavo sostitutivo utilizzato per T100 o TC120 deve presentare le stesse caratteristiche di quello fornito in dotazione con l'unità, in modo da garantirne la sicurezza.

Il cavo deve recare impresse le diciture <HAR>, HO5VV-F 3Gx1mm<sup>2</sup> 90°C ed essere in grado di supportare 10 A. La spina di alimentazione e il connettore IEC devono essere approvati da un organismo di certificazione europeo (per esempio, BSI, VDE o equivalente).

### 9.5 Test di routine per la sicurezza

Se sono richiesti test di routine, consigliamo di testare l'integrità del conduttore di messa a terra di protezione e di effettuare una prova d'isolamento a 500V DC. L'esecuzione di "flash test" di routine non è consigliabile per nessuna apparecchiatura elettrica, poiché i ripetuti test ad alta tensione deteriorano i materiali isolanti.

### 9.6 Assistenza

Se è richiesta assistenza, spegnere l'unità e contattare GRANT o i suoi rappresentanti locali per le riparazioni.

Ricordiamo che tutte le unità restituite devono essere accompagnate da un codice RMA (autorizzazione resi, Return Materials Authorisation) che può essere richiesto contattando l'ufficio assistenza Grant (i recapiti sono indicati di seguito).

Service Department  
Grant Instruments (Cambridge) Ltd  
Shepreth  
Cambridgeshire  
SG8 6GB  
UK

Tel.: +44 (0) 1763 260 811  
Fax: +44 (0) 1763 262 410  
E-mail: [labservice@grantinstruments.com](mailto:labservice@grantinstruments.com)

## 10.0 Accessori opzionali

---

L'elenco completo degli accessori e delle opzioni per i prodotti è consultabile nel catalogo Grant Scientific Reference Catalogue (una copia del quale è disponibile a richiesta) o sul sito web Grant all'indirizzo [www.grantinstruments.com](http://www.grantinstruments.com).

## 11.0 Individuazione dei guasti

Sintomo	Possibile causa	Azione richiesta
Il display indica "Cut" (Intervento per sovratemperatura).	È intervenuto l'interruttore di sovratemperatura.	Verificare che la temperatura impostata sia corretta e che il valore di interruzione per sovratemperatura sia impostato su almeno 5°C al di sopra della temperatura impostata. Per istruzioni sulle modalità di impostazione, consultare la Sezione 5.3.1.  Se il valore di interruzione per sovratemperatura è correttamente impostato ma l'unità continua a visualizzare l'allarme "Cut", l'unità presenta un guasto interno e deve essere riparata prima di poter essere rimessa in uso.
La temperatura non aumenta come dovrebbe.	La temperatura impostata è inferiore alla temperatura del liquido.  La temperatura impostata è troppo vicina alla temperatura ambiente.	Verificare che la temperatura del bagno sia corretta (vedere la Sezione 5.2.3).  Aumentare la temperatura impostata (vedere la Sezione 5.2.3) o installare un sistema di raffreddamento ausiliario (vedere la Sezione 4.8).
La temperatura continua ad aumentare quando non dovrebbe.	La temperatura impostata è superiore alla temperatura del liquido.	Verificare che la temperatura del bagno sia corretta (vedere la Sezione 5.2.3).
Spia di allarme accesa.	È intervenuto l'interruttore di sovratemperatura.  Si è attivato l'interruttore a galleggiante del livello minimo di liquido.	Verificare che l'interruttore di sovratemperatura sia correttamente impostato (vedere la Sezione 5.3.1).  Verificare che il livello del liquido del bagno sia adeguato (vedere la Sezione 6.4 per i livelli di riempimento minimi).
Temperatura impostata eccessivamente limitata.	Il tipo di liquido impostato non è compatibile con il punto di riferimento desiderato.	Selezionare un tipo di liquido differente (vedere la Sezione 5.3.5).
Il display indica "Flot".	Il liquido è sceso al di sotto del livello minimo.	Verificare che il livello del liquido del bagno sia adeguato (vedere la Sezione 6.4 per i livelli di riempimento minimi).
Il display indica "Al".	Si è attivato l'allarme per alta temperatura.	Verificare che la temperatura del bagno sia corretta (vedere la Sezione 5.2.3).  Verificare che l'allarme per alta temperatura sia corretto (vedere la Sezione 5.3.4).  Verificare che il livello del liquido del bagno sia adeguato (vedere la Sezione 6.4 per i livelli di riempimento minimi).

Il display indica "Er H".	Valore di calibrazione non corretto.	Il punto di calibrazione della temperatura massima è maggiore del punto di calibrazione della temperatura minima di meno di 40°C. Impostare una temperatura più elevata (vedere la Sezione 5.2.6).
Il display indica "Er L".	Valore di calibrazione non corretto.	Il punto di calibrazione della temperatura minima è minore del punto di calibrazione della temperatura massima di meno di 40°C. Impostare una temperatura più bassa (vedere la Sezione 5.2.6).
Il display indica "Er d".	Valore di calibrazione non corretto.	Il valore di calibrazione è a più di 10°C dal punto di riferimento. Controllare il valore rilevato dal termometro e il punto di riferimento (vedere la Sezione 5.2.6).
Il display indica "Open".	Sonda termica difettosa.	Richiedere l'intervento di un tecnico qualificato per verificare che non vi sia un guasto di circuito aperto, oppure contattare Grant.
Il display indica "Shrt".	Sonda termica difettosa.	Richiedere l'intervento di un tecnico qualificato per verificare che non vi sia un guasto di cortocircuito, oppure contattare Grant.
L'unità visualizza temperature improbabili.	Valori di calibrazione non correttamente impostati.	Ripristinare le impostazioni di calibrazione di fabbrica (vedere la Sezione 5.2.7) quindi, se necessario, ricalibrare (vedere la Sezione 5.2.6).
Il display indica "Hot".	Acqua del riscaldatore in ebollizione o prossima alla temperatura di ebollizione senza coperchio.  Riscaldamento di volumi di liquido molto elevati con ingente dissipazione termica.	Applicare un coperchio per ridurre la dissipazione termica e lasciare l'unità in funzione con l'avvertimento "Hot" a vista. Se l'allarme non scompare entro 1 ora, rivolgersi a Grant.  Adottare precauzioni volte a ridurre la dissipazione termica e lasciare l'unità in funzione con l'avvertimento "Hot" a vista. Se l'allarme non scompare entro 1 ora, rivolgersi a Grant.
Il display indica "Fuse".	Fusibili difettosi.	Rivolgersi a un tecnico qualificato per controllare i fusibili interni oppure contattare Grant.
Il display indica "Crct".	Errore PCB.	Rivolgersi a un tecnico qualificato per controllare il prodotto oppure contattare Grant.
Il display indica "Self".	Guasto del relè di sicurezza.	Rivolgersi a un tecnico qualificato per controllare il prodotto oppure contattare Grant.
Il motore dell'agitatore non gira.	Il propulsore dell'agitatore o la girante della pompa sono inceppati.  Motore guasto.	Eliminare l'inceppamento.  Rivolgersi a un tecnico qualificato per controllare il motore oppure contattare Grant.
Il display indica "Cold".	È stata accidentalmente inserita la modalità di ripristino di fabbrica.	L'avvertimento può essere eliminato premendo il pulsante <b>S</b> . Osservare però che tutte le impostazioni (incluse eventuali calibrazioni di fabbrica) saranno riportate ai valori predefiniti. Se necessario, rivolgersi all'ufficio assistenza di Grant Instruments.

Per qualsiasi altro errore o richiesta di assistenza, rivolgersi all'ufficio assistenza di Grant Instruments.



## 12.0 Come contattare Grant Instruments

---

Grant si impegna a migliorare costantemente le prestazioni offerte ai propri clienti. Qualsiasi commento o riscontro sui nostri prodotti e servizi è il benvenuto. Inviare a:

Quality Manager  
Grant Instruments (Cambridge) Ltd  
Shepreth  
Cambridgeshire  
SG8 6GB  
UK

Tel.: +44 (0) 1763 260 811  
Fax: +44 (0) 1763 262 410  
E-mail: [feedback@grantinstruments.com](mailto:feedback@grantinstruments.com)

## 13.0 Conformità

---

### Direttiva WEEE

Grant Instruments aderisce in pieno alle normative UE del 2006 sui rifiuti delle apparecchiature elettriche ed elettroniche (Waste Electrical & Electronic Equipment (WEEE)). Siamo membri del programma di conformità B2B (numero di approvazione del programma WEE/MP3338PT/SCH) al cui ente abbiamo affidato l'amministrazione degli obblighi derivanti dalla direttiva WEEE. Grant Instruments ha ricevuto un numero di registrazione esclusivo dall'Agenzia per l'ambiente: WEE/GA0048TZ.

Per informazioni sulla raccolta WEEE nel Regno Unito, rivolgersi direttamente all'ente che gestisce il programma di conformità B2B (B2B Compliance Scheme) al numero 01691 676 124.

I residenti in altri Paesi sono pregati di rivolgersi al proprio fornitore locale.

Per informazioni generali sulla direttiva WEEE, visitare il sito Web:  
[www.b2bcompliance.org.uk](http://www.b2bcompliance.org.uk)

### Direttiva RoHS

Tutti i prodotti considerati nel presente manuale sono conformi ai requisiti della Direttiva RoHS (Direttiva 2002/95/CE).

### Sicurezza elettrica e compatibilità elettromagnetica

Tutti i prodotti descritti nel presente manuale sono conformi ai requisiti della Direttiva Bassa Tensione (2006/95/CE) per la sicurezza elettrica e ai requisiti della direttiva EMC (2004/108/CE) per la compatibilità elettromagnetica. Vedere la Dichiarazione di conformità all'interno del retro di copertina.

IT

**Grant Instruments**, con sede en los alrededores de Cambridge (Inglaterra), es líder mundial en la fabricación y el diseño de equipos para preparación de muestras, análisis científico y obtención y análisis de datos, y ofrece soluciones al mercado científico e industrial global.

#### **Cumplimiento de normas y calidad.**

La marca y la reputación de Grant se basan en su calidad, fiabilidad y precisión. Garantizamos que nuestros productos cumplen estrictamente todas las normas internacionales de seguridad necesarias.

Prestamos especial atención a las pruebas de seguridad de productos y nos mantenemos a la vanguardia de la norma de seguridad de productos para equipos de laboratorio IEC 61010-1. La compañía está comprometida con dirigir su laboratorio de pruebas de seguridad de acuerdo con los requisitos de ISO 17025.

Grant funciona con un Sistema de Gestión de Calidad que cumple los requisitos de la norma BS EN ISO 9001:2008.

Además de cumplir esta norma, Grant está comprometida en mejorar continuamente todo lo que hace, con un particular énfasis en lo que importa a nuestros clientes y proveedores, diseñando nuestros sistemas y trabajo para satisfacer sus necesidades

Si tiene algún comentario sobre los productos o servicios de Grant nos gustaría que nos lo comunicara. Envíe sus comentarios a:

Quality Manager  
Grant Instruments (Cambridge) Ltd  
Shepreth  
Cambridgeshire  
SG8 6GB  
Reino Unido

Tel.: +44 (0) 1763 260 811  
Fax: +44 (0) 1763 262 410  
E-mail: [feedback@grantinstruments.com](mailto:feedback@grantinstruments.com)

# Índice

Índice	2
1.0 Uso de productos	4
2.0 Cómo utilizar este manual del operador	4
3.0 Información de seguridad	5
3.1 Cumplimiento en materia de seguridad	5
3.2 Símbolos de seguridad	5
3.3 Advertencias de seguridad	5
4.0 Instrucciones de uso	6
4.1 Instrucciones de desembalaje	6
4.2 Instalación del controlador en baños ST	6
4.3 Instalación del controlador en baños P	7
4.4 Instalación del controlador en baños personalizados	7
4.5 Retirada del controlador de la placa de unión	8
4.6 Líquidos recomendados	8
4.7 Instalación	9
4.8 Alimentación eléctrica	9
4.9 Uso del refrigerador auxiliar (C1G, C2G, CW5)	9
5.0 Procedimientos de funcionamiento	10
5.1 Funcionamiento	10
5.1.1 Nivel de líquido	10
5.1.2 Funcionamiento por encima de 60 °C	10
5.1.3 Funcionamiento a bajas temperaturas	10
5.1.4 Uso de la bomba (sólo TC120)	10
5.1.5 Vaciado de los baños ST	11
5.1.6 Instalación y encendido	11
5.2 Uso del T100 y TC120	12
5.2.1 Descripción del producto	12
5.2.2 Indicadores del producto	12
5.2.3 Ajuste de la temperatura de control	13
5.2.4 Configuración de un programa predefinido	13
5.2.5 Utilización de un programa predefinido	13
5.2.6 Realización de una calibración	14
5.2.7 Restablecimiento de los ajustes de calibración de fábrica	15
5.2.8 Ajuste de brillo del visor	15
5.3 Propiedades adicionales del TC120	16
5.3.1 Ajuste del termostato de sobretemperatura	16
5.3.2 Ajuste de un temporizador de cuenta atrás	16
5.3.3 Cancelación del temporizador	17
5.3.4 Ajuste de una alarma de advertencia de alta temperatura	17
5.3.5 Selección del tipo de líquido	17
6.0 Especificaciones técnicas	18
6.1 Condiciones de funcionamiento	18
6.2 Datos eléctricos	18
6.3 Rendimiento del producto	18
6.4 Información sobre los accesorios de baño	18
7.0 Consejos técnicos	19
7.1 ¿Qué clase de agua debe utilizarse en el baño?	19
7.2 Cómo evitar el óxido de los baños maría	19
7.3 ¿Cómo evitar las algas y las bacterias?	20
8.0 Información de garantía	20
9.0 Mantenimiento y servicio	20
9.1 Mantenimiento periódico	20
9.2 Limpieza	20

9.3	Fusibles	21
9.4	Sustitución del cable de alimentación	21
9.5	Pruebas de seguridad rutinarias	21
9.6	Servicio	21
10.0	Accesorios opcionales	21
11.0	Solución de problemas	22
12.0	Comunicación con Grant Instruments	24
13.0	Cumplimiento legal	24

DOMINIQUE DUTSCHER SAS

## 1.0 Uso de productos

---

Este manual sirve para los siguientes productos:

- T100 y T100L
- TC120 y TC120L

Esta lista de productos describe termostatos de inmersión de uso general que se utilizan con baños o circuladores diseñados para el uso de profesionales en interiores de laboratorios.

## 2.0 Cómo utilizar este manual del operador

---

Este manual del operador le ayudará a desembalar, instalar y utilizar este termostato de inmersión correctamente y con seguridad. A continuación se incluye información, símbolos y advertencias importantes que debe leer atentamente. El apartado 4 contiene información sobre cómo desembalar e instalar correctamente el producto. El apartado 5 contiene información sobre el uso de los modelos T100 y TC120. Los apartados 6 y 7 presentan especificaciones y consejos técnicos del producto. La garantía de este producto es de TRES AÑOS, se detalla en el apartado 8 y debe registrarse rellenando el formulario de registro online en [www.grantinstruments.com](http://www.grantinstruments.com).

Si hay alguna cuestión técnica que no trate este manual o tiene alguna duda sobre este producto, póngase en contacto con Grant Instruments o con su distribuidor local para obtener información adicional.

La guía de inicio rápido que incluyen los termostatos de inmersión T100/TC120 está pensada para consultas y no debe utilizarse hasta haber leído todo el manual.

## 3.0 Información de seguridad

---

### 3.1 Cumplimiento en materia de seguridad

Los termostatos de inmersión Grant cumplen los requisitos de la norma internacional de seguridad IEC 61010: Requisitos de seguridad para equipos eléctricos de medición, control y uso en laboratorio. También cumplen las normas nacionales equivalentes, incluidas:

EN 61010-2-010  
UL 61010A-2-010  
CAN/CSA-C22.2 N° 61010-2-010-04.

### 3.2 Símbolos de seguridad

En el equipo y a lo largo de este manual se observan los símbolos siguientes, que indican:



Precaución: las superficies y el líquido de transferencia térmica pueden estar calientes durante y después del uso.



Lea este manual antes de utilizar el baño maría.



Advertencia de seguridad importante

### 3.3 Advertencias de seguridad



Lea estas instrucciones en su totalidad. De no seguirlas, la seguridad puede verse afectada.



Para el T100, utilice sólo agua como líquido de trabajo.



Para el TC120, utilice únicamente los líquidos que se indican en estas instrucciones de uso, en el margen de temperatura especificado. Si se enciende la lámpara de alarma, es posible que la temperatura del líquido haya superado el máximo recomendado. No inhale el vapor desprendido, puede ser tóxico. Los líquidos deben desecharse y sustituirse de forma segura.



No utilice el T100/TC120 con líquidos de transferencia térmica inflamables.



No utilice el T100/TC120 para calentar ningún material de muestra que pudiera causar un incendio o tuviera otro tipo de peligro.



No utilice el equipo en áreas con presencia de compuestos químicos agresivos o explosivos.



Si se derrama dentro o sobre el equipo algún líquido potencialmente peligroso, desconéctelo de la fuente de alimentación y póngalo en manos de personal competente para su revisión.



Es responsabilidad del usuario efectuar la descontaminación adecuada si se vierten materiales peligrosos sobre el equipo.



Si se enciende la lámpara de alarma, no toque el líquido ni la base del depósito, ya que pueden estar muy calientes. Rellene con cuidado; si el calentador está caliente, puede salpicar gotas de agua muy calientes y desprender vapor hirviendo.



No toque las superficies recalentadas durante el funcionamiento a alta temperatura.

## 4.0 Instrucciones de uso

### 4.1 Instrucciones de desembalaje

El equipo incluye de serie:

- Termostato de inmersión (T100 o TC120)
- Placas de salida de bomba (sólo TC120)
- Cable de alimentación con enchufe
- Manual del operador
- Guía de inicio rápido

Los accesorios de baño ST incluyen:

- Baño de acero inoxidable
- Placa de unión
- Bandeja de circulación (sólo baños ST18, ST26 y ST38)

Los accesorios de baño P incluyen:

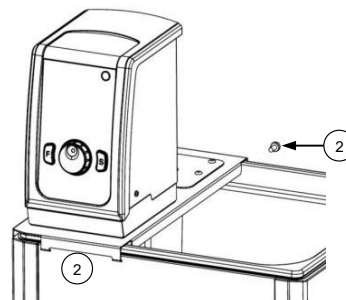
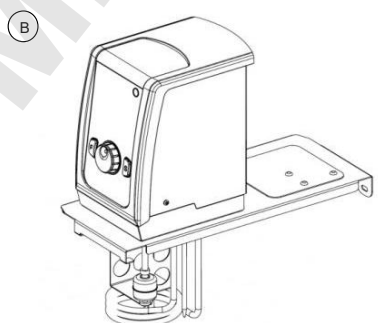
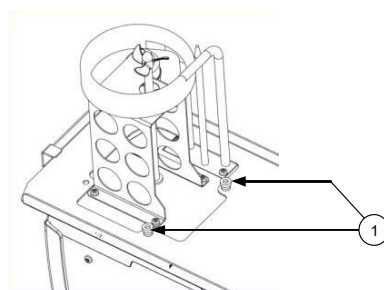
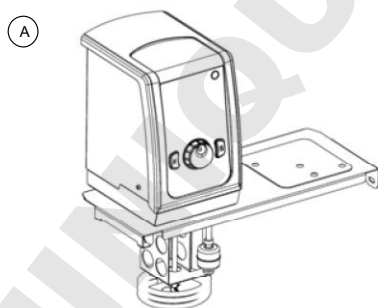
- Baño de plástico
- Placa de unión

Retire los materiales de embalaje con cuidado y guárdelos para un futuro envío o almacenamiento del equipo.

### 4.2 Instalación del controlador en baños ST

El T100/TC120 puede instalarse en los baños de acero inoxidable ST5, ST12, ST18, ST26 y ST38, en dos orientaciones a discreción, bien orientado hacia el baño ST (A) o hacia el exterior (B):

1. Instale el T100/TC120 en la placa de unión a través del orificio y alinéelo con las roscas de posicionamiento. Asegúrelo con las tuercas de retención. Apriete únicamente a mano.
2. Enganche el conjunto en las ranuras del baño ST y utilice la fijación suministrada para asegurarlo en la parte trasera del baño.



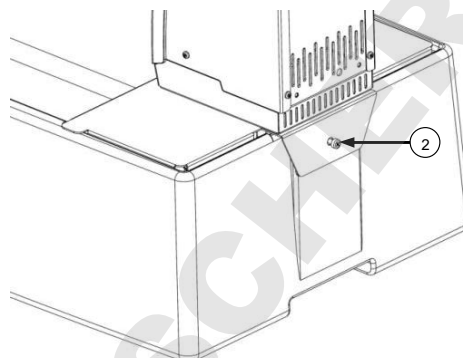
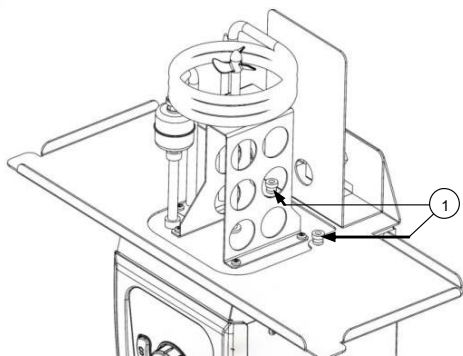
ES

Instale la bandeja de circulación en la base del depósito con la hendidura grande de la bandeja bajo la unidad de control (sólo ST18, ST26 y ST38).

#### 4.3 Instalación del controlador en baños P

El T100/TC120 puede instalarse en los baños de plástico P5, P12 y P18:

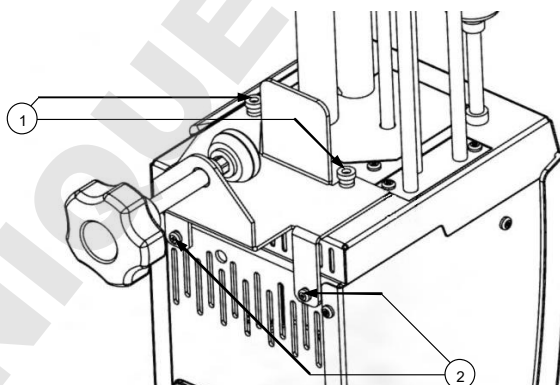
1. Instale el T100/TC120 en la placa de unión a través del orificio y alinéelo con las roscas de posicionamiento. Asegúrelo con las tuercas de retención. Apriete únicamente a mano.
2. Incorpore el conjunto en el baño P y utilice la fijación suministrada para asegurarlo en la parte trasera del baño.



#### 4.4 Instalación del controlador en baños personalizados

En el T100/TC120 puede instalarse una abrazadera para poder fijarlo en un baño o recipiente que no sea de Grant con un espesor de pared de hasta 30 mm. Para instalar la abrazadera en el T100/TC120:

1. Coloque la abrazadera sobre las roscas de posicionamiento en la base del T100/TC120. Asegúrelo con las tuercas de retención. Apriete únicamente a mano.
2. Incorpore fijaciones traseras en la abrazadera para asegurar la parte trasera del T100/TC120.



Tenga cuidado de no apretar en exceso la abrazadera para evitar dañar la misma o el recipiente



El contenedor de líquido en el que se monte la unidad debe ser estable y tener la robustez y resistencia mecánica, química y térmica necesarias.

No lave la abrazadera en el lavavajillas ni la limpie con un descalcificador. No sumerja el eje roscado de la abrazadera. Seque siempre el eje roscado y la abrazadera después de limpiarlos. Las roscas se pueden lubricar con una pequeña cantidad de aceite ligero para máquinas.



#### 4.5 Retirada del controlador de la placa de unión

Deje que se enfríe el líquido de trabajo antes de retirar el T100/TC120 de la placa de unión. Retire cuidadosamente el T100/TC120 y la placa de unión junto con el baño o recipiente. Tenga mucho cuidado, ya que la bomba contendrá una pequeña cantidad del líquido de trabajo que se saldrá al manipular la unidad. Afloje las tuercas de retención y retire la placa de unión. Fije las tuercas de retención en las roscas de posicionamiento para un almacenamiento seguro.

#### 4.6 Líquidos recomendados

La siguiente tabla indica los líquidos recomendados para diferentes márgenes de temperatura. Asegúrese siempre de que el líquido utilizado sea seguro y adecuado para su temperatura de trabajo. Si utiliza líquidos de transferencia térmica no recomendados, el usuario es responsable de realizar una evaluación para garantizar que el líquido previsto sea compatible con el T100/TC120 y el recipiente.



Para garantizar la protección, debe ajustar el corte por sobretemperatura correctamente en función del líquido de transferencia térmica seleccionado (consulte la tabla).



Cuando se utilizan líquidos de transferencia térmica no recomendados, es importante ajustar el corte por sobretemperatura en un valor que no supere los 25 °C por debajo del punto de inflamación del líquido. Si tiene alguna duda, póngase en contacto con el equipo de servicio técnico de Grant.



El uso de extracción de humos cuando se utilizan fluidos de silicona en las temperaturas elevadas

Margen de temperatura	Líquido recomendado	Ajuste de corte	Comentarios
Desde -30 °C hasta 30 °C	50% agua, 50% anticongelante (etilenglicol inhibido)	40 °C	ADVERTENCIA: El etilenglicol es tóxico – siga las instrucciones del fabricante.
Desde 0 °C hasta 30 °C	80% agua, 20% anticongelante (etilenglicol inhibido)	40 °C	Para eliminar el líquido de forma segura, consulte las normativas locales. Utilice una tapa para reducir la dilución de la mezcla provocada por la condensación del vapor de agua procedente del aire y para mantener la velocidad de enfriamiento.
Desde 5 °C hasta 99.9 °C	Agua*	110 °C	Puede utilizarse agua, pero debe tenerse cuidado por encima de 60 °C, pues el vapor caliente puede ser peligroso. Utilice una tapa o bolas de polipropileno por encima de 60 °C para garantizar un buen rendimiento y reducir la evaporación. El rendimiento de temperatura se verá afectado a temperaturas próximas a los 99 °C debido a la ebullición localizada. Las unidades no deben utilizarse para hervir agua.
Desde 70 °C hasta 120 °C	Líquido de silicona Viscosidad ~20 cs Punto de encendido ≥230 °C Punto de inflamación ≥280 °C	130 °C	El líquido de silicona Dow Corning DC200/20 es un líquido adecuado – siga las instrucciones del fabricante. Para eliminar el líquido de forma segura, consulte las normativas locales.

\* Consulte el apartado 7.1 para más detalles

#### 4.7 Instalación



Ponga el baño maría sobre una superficie nivelada no combustible. Asegúrese de que el enchufe y el interruptor situado en la parte trasera de la unidad sean fácilmente accesibles.



Si el equipo se ha transportado o almacenado en condiciones de frío o humedad, puede que se haya formado condensación en el interior. Si existe esta posibilidad, déjelo reposar (al menos 2 horas a temperatura ambiente) para que la condensación se evapore antes de utilizarlo.



No bloquee ni obstruya las ranuras de ventilación.

#### 4.8 Alimentación eléctrica



Compruebe que la tensión de alimentación indicada en la etiqueta del número de serie y el tipo de enchufe son correctos para la toma de alimentación, que debe poseer conexión a tierra.



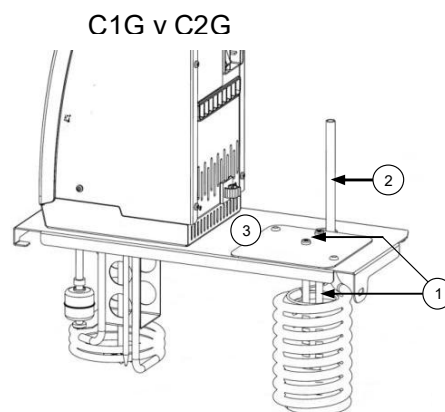
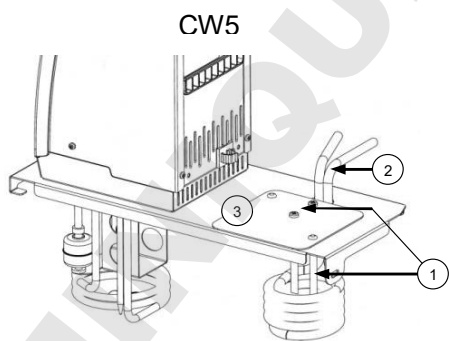
El T100/TC120 sólo debe conectarse a la red con el cable de alimentación suministrado u otro de idéntica potencia (consulte el apartado 9.4)

#### 4.9 Uso del refrigerador auxiliar (C1G, C2G, CW5)

El refrigerador auxiliar es necesario para trabajar a temperaturas inferiores a la temperatura ambiente. Los enfriadores de inmersión refrigerados (C1G y C2G) pueden utilizarse para trabajar hasta  $-15\text{ }^{\circ}\text{C}$ . Puede utilizarse una bobina de intercambiador térmico de agua (CW5) para trabajar a temperatura ambiente y en torno a ella.

Las bobinas pueden instalarse de la siguiente manera:

1. Fije la varilla de posicionamiento de la bobina con forma de u en la placa de cubierta con las dos fijaciones suministradas.
2. Instale la bobina de refrigeración en la placa de unión a través del orificio y alinee los tubos de salida con la muesca de corte.
3. Instale la placa de cubierta en la placa de unión y acóplela con las fijaciones suministradas. La varilla de posicionamiento de la bobina debe encajar a presión en el interior de la bobina y sujetarla rígidamente. Asegúrese de que la bobina se sujeta de forma segura y fiable antes del funcionamiento.



## 5.0 Procedimientos de funcionamiento

### 5.1 Funcionamiento

#### 5.1.1 Nivel de líquido

Los niveles máximo y mínimo de líquido se definen en el apartado 6.4 para los accesorios de baño Grant. El nivel de líquido debe mantenerse siempre entre estos niveles. Estos niveles son aplicables cuando no hay ningún recipiente dentro del baño y cuando éste está lleno al máximo de su capacidad. Si utiliza líquidos que pueden evaporarse, debe comprobarse el líquido y rellenarse. El interruptor de flotador de nivel bajo dará la alarma si el nivel de líquido desciende por debajo del nivel mínimo necesario, la unidad apagará el calentador y detendrá el control de temperatura.

#### 5.1.2 Funcionamiento por encima de 60 °C

Por encima de 60 °C deben utilizarse una tapa o bolas de polipropileno para mantener el control de temperatura y garantizar que la temperatura del líquido de baño alcance la temperatura ajustada. Éstas ahorrarán energía evitando una evaporación excesiva y reducirán la frecuencia con la que es necesario rellenar el baño. Como medida de precaución, el T100/TC120 puede indicar 'Hot' (Caliente) si se calienta agua a la temperatura de ebullición o en torno a ésta durante periodos de tiempo prolongados o se calientan grandes cantidades de líquido con grandes pérdidas térmicas sin utilizar ninguna tapa o bola de polipropileno. Consulte el apartado 11 para obtener una orientación adicional.

Debe tenerse cuidado de garantizar que las aberturas traseras de entrada de aire estén despejadas y minimizar la entrada de vapor o humos cuando se utilice el equipo en agua hirviendo y en sus proximidades o con otros líquidos que se evaporen.



Tenga cuidado al levantar o retirar la tapa, ya que puede estar caliente. Los vapores calientes pueden escaldar.

#### 5.1.3 Funcionamiento a bajas temperaturas

El refrigerador auxiliar es necesario para un funcionamiento controlado a temperatura ambiente o por debajo de ésta. La temperatura mínima de trabajo sin refrigerador auxiliar depende del tamaño del baño. Los baños pequeños, P5 y ST5, tienen una temperatura mínima de trabajo de aproximadamente 10° C por encima de la temperatura ambiente sin tapa y de 15 °C por encima de la temperatura ambiente con tapa. Pueden utilizarse otros tamaños de baño a una temperatura de 5 °C por encima de la temperatura ambiente.

#### 5.1.4 Uso de la bomba (sólo TC120)

El TC120 permite bombear el líquido por un sistema externo cerrado (no abierto a la atmósfera). Sólo puede utilizarse para la circulación a través de un depósito abierto externo si existe un retorno de alimentación por gravedad. Por lo tanto, debe realizarse una evaluación de cualquier sistema abierto para garantizar que los niveles de líquido sean estables durante el funcionamiento y que no exista ninguna posibilidad de que el depósito se quede sin líquido o rebose. La bomba viene instalada de serie con una placa ciega. Instale una placa de conector de bomba tal y como se indica a continuación. Nota: Las placas ciegas/de conector tienen un orificio de posicionamiento (consulte A más abajo) para facilitar la correcta alineación en la moldura de la bomba. Es importante verificar que el orificio esté alineado con el pasador de posicionamiento correspondiente (consulte B más abajo) en la moldura de la bomba. De lo contrario, la conexión tendrá fugas. Conserve la placa ciega para volver a instalarla cuando la bomba ya no sea necesaria.

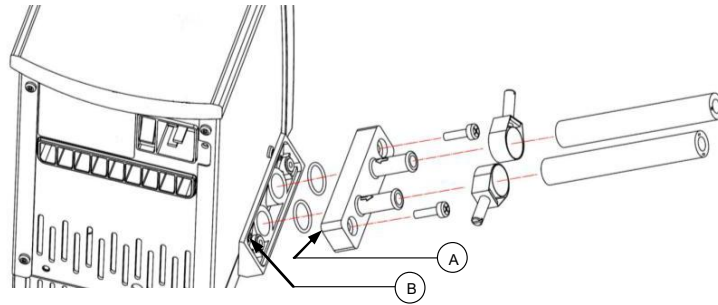


Utilice siempre conectores y mangueras de bomba adecuados para la temperatura de funcionamiento y el líquido utilizados. Compruebe que las conexiones de los tubos sean seguras.



No desconecte nunca ningún tubo o manguera mientras contengan líquidos muy calientes o muy fríos o mientras el TC120 esté bombeando.

ES



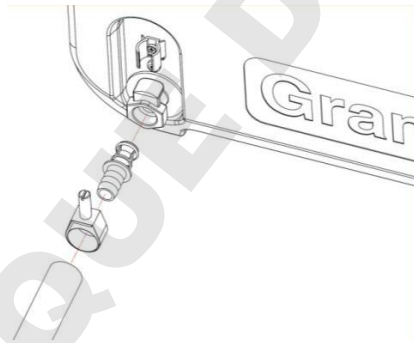
Bompear líquido de transferencia térmica por un sistema externo conlleva peligros que se encuentran fuera del control de Grant Instruments. Es fundamental que el usuario lleve a cabo una evaluación de riesgos de toda la instalación del equipo para asegurarse de que se hayan utilizado materiales valorados correctamente durante todo el proceso y que el sistema pueda utilizarse de forma segura.

### 5.1.5 Vaciado de los baños ST

Los baños ST12, ST18, ST26 y ST38 deben vaciarse a un nivel seguro antes de moverlos. En estos baños se incluye un orificio de desagüe para poder vaciarlos adecuadamente.

Deje que la temperatura del líquido descienda a un nivel seguro antes de vaciar el baño. Si el baño se vacía a temperaturas superiores a 50 °C, el mecanismo de desagüe resultará dañado y tendrá que sustituirse. Tome medidas de precaución convenientes para evitar derrames accidentales.

Vacíe el baño introduciendo en el orificio el accesorio de desagüe suministrado tal y como se indica a continuación. El líquido del baño comenzará a salir en cuanto el accesorio esté acoplado por completo. Si es preciso, puede agregarse un segmento de manguera al extremo del accesorio de desagüe.



### 5.1.6 Instalación y encendido

Conecte el T100/TC120 a una fuente de alimentación eléctrica con toma de tierra y cuya tensión y frecuencia estén dentro del margen especificado en la placa de número de serie.

Fije bien el T100/TC120 en el baño o recipiente requerido. Incorpore el líquido de trabajo adecuado en el baño al menos con el nivel mínimo de llenado recomendado para que el interruptor de nivel de flotador esté completamente levantado.

Encienda el T100/TC120 con el interruptor de alimentación situado en la parte trasera de la unidad. El motor arrancará de inmediato y el zumbador sonará mientras la unidad se pone en marcha. Durante la puesta en marcha, el visor mostrará el tipo de modelo, seguido de la versión de software y, por último, la temperatura del líquido actual. El T100/TC120 está listo para utilizarse.

Para desconectar el equipo del suministro eléctrico, extraiga el enchufe de la toma de alimentación.

## 5.2 Uso del T100 y TC120

### 5.2.1 Descripción del producto



### 5.2.2 Indicadores del producto

Existen dos luces indicadoras en el T100/TC120:

- Luz de calentador encendido (naranja) marcada  $\text{SSS}$
- Luz de alarma (roja) marcada  $!$

La lámpara de alarma se encenderá para indicar los siguientes fallos:

- Se ha activado el interruptor de flotador debido a un bajo nivel de líquido
- Se ha activado el corte por sobretemperatura
- Fallo en la sonda de temperatura

La causa de la alarma también se indicará en el visor.

Normalmente, el visor muestra la temperatura del líquido controlado en °C.

El botón **S** (ajuste) se utiliza para seleccionar y guardar valores, mientras que el botón **F** (función) se emplea para acceder a las opciones de menú y las funciones de cancelación.

El mando principal se utiliza para cambiar los valores de temperatura y otros parámetros ajustables.

ES

### 5.2.3 Ajuste de la temperatura de control

La temperatura del líquido del baño puede ajustarse con el botón **S**.

1. Mientras el visor muestra la temperatura del baño, pulse el botón **S**. El visor parpadeará para indicar que puede ajustarse.
2. Utilice el mando principal para ajustar la temperatura deseada.  
*Si no pulsa ninguna tecla en 10 segundos, el visor volverá a mostrar la temperatura del baño y la temperatura ajustada conservará su valor original.*
3. Pulse el botón **S** para guardar el valor solicitado; el visor mostrará otra vez la temperatura del baño.  
*Si la temperatura seleccionada es superior a la temperatura del líquido actual, se encenderá la luz del calentador.*

### 5.2.4 Configuración de un programa predefinido

Cada T100/TC120 contiene tres programas predefinidos que pueden configurarse en diferentes temperaturas ajustadas para utilizar el baño cómodamente a temperaturas de uso frecuente. Emplee el método siguiente para configurar el programa 1; los demás programas predefinidos pueden configurarse del mismo modo.

Tenga en cuenta que, una vez se guarde un programa predefinido con los siguientes pasos, éste comenzará automáticamente después de haber realizado todos los pasos.

1. Pulse el botón **F** y gire el mando hasta que el visor muestre “t-1”.  
*El visor alternará entre el número del programa predefinido y su temperatura.*
2. Pulse el botón **S** para seleccionar el programa predefinido.
3. Utilice el mando para ajustar la temperatura deseada del programa predefinido.  
*Si no pulsa ninguna tecla en 10 segundos, el visor volverá a mostrar la temperatura del baño y la temperatura del programa predefinido conservará su valor original.*
4. Pulse el botón **S** para guardar la temperatura del programa predefinido.  
*El programa predefinido comenzará automáticamente en cuanto se guarde el valor.*

Las temperaturas del programa predefinido y las temperaturas ajustadas están limitadas a la selección del tipo de modelo y del líquido. El margen ajustable de T100 se sitúa entre 0 y 100 °C aumentando hasta entre -25 °C y 120 °C para el TC120. Los ajustes de fábrica de los programas predefinidos se muestran en la siguiente tabla.

Programa predefinido	Margen de temperatura ajustado
t-1	37 °C
t-2	56 °C
t-3	72 °C

### 5.2.5 Utilización de un programa predefinido

1. Pulse el botón **F** y gire el mando hasta que el visor muestre el programa predefinido correcto.
2. Pulse el botón **S** para seleccionar el programa predefinido.
3. Pulse el botón **S** para ajustar el baño a la temperatura del programa predefinido.

## 5.2.6 Realización de una calibración

El T100 y TC120 permiten realizar una calibración de dos puntos. Puede accederse al menú de calibración pulsando al mismo tiempo los botones **F** y **S** durante unos 5 segundos.

Las temperaturas de calibración están restringidas por los límites de temperatura del ajuste del tipo de líquido. La calibración debe realizarse mediante un termómetro de referencia identificable con una precisión de al menos 0.1 °C. Este termómetro debe sujetarse de forma segura en el centro del baño o recipiente.

La calibración del T100/TC120 se efectúa en dos partes: una desviación de baja temperatura y una desviación de alta temperatura. El punto de calibración de alta temperatura debe ser al menos 40 °C superior al punto de baja temperatura.

Deben elegirse puntos de calibración que estén a temperaturas experimentales críticas donde la precisión es importante o en los extremos del margen de trabajo de las temperaturas empleadas.

Si sólo se ajusta el punto de calibración de baja temperatura, la calibración se llevará a cabo entre este punto y 100 °C con la desviación disminuyendo linealmente. Si sólo se ajusta el punto de calibración de alta temperatura, la calibración se realizará entre 0 °C y este punto con la desviación disminuyendo linealmente.

Si se introduce el valor del termómetro antes de que la unidad esté completamente estable, la calibración podría ser deficiente y las lecturas de la temperatura del líquido incorrectas. Si el T100/TC120 no está de acuerdo con el termómetro después de la calibración, puede ocurrir que ésta no se haya realizado correctamente y debe restablecerse la unidad.

### Ajuste de la desviación de baja temperatura

1. Ajuste la temperatura configurada en el punto de calibración de baja temperatura requerido.
2. Deje que la unidad se estabilice durante al menos 5 minutos una vez alcanzada una temperatura estable.
3. Mida la temperatura del líquido introduciendo un termómetro de referencia en el centro del baño.
4. Pulse los botones **F** y **S** al mismo tiempo durante aproximadamente 5 segundos hasta que aparezca "LCAL".
5. Pulse el botón **S** para seleccionar.
6. Utilice el mando principal para actualizar el visor y mostrar la temperatura en el termómetro de referencia.
7. Pulse el botón **S** para guardar la temperatura.  
*Pulse el botón F para cancelar la calibración.*
8. Pulse el botón **F** para volver al visor de la temperatura del líquido.

### Ajuste de la desviación de alta temperatura

1. Ajuste la temperatura configurada en el punto de calibración de alta temperatura requerido.
2. Deje que la unidad se estabilice durante al menos 5 minutos una vez alcanzada una temperatura estable.
3. Mida la temperatura del líquido introduciendo un termómetro de referencia en el centro del baño.
4. Pulse los botones **F** y **S** al mismo tiempo durante aproximadamente 5 segundos hasta que aparezca "LCAL".
5. Gire el mando hasta que el visor muestre "HCAL" y pulse el botón **S** para seleccionar.
6. Utilice el mando principal para actualizar el visor y mostrar la temperatura en el termómetro de referencia.
7. Pulse el botón **S** para guardar la temperatura.  
*Pulse el botón F para cancelar la calibración.*

### 5.2.7 Restablecimiento de los ajustes de calibración de fábrica

El restablecimiento de la calibración de fábrica permite restablecer los ajustes de la unidad si existe un problema durante la calibración o desea cancelar cualquier ajuste de calibración.

1. Pulse los botones **F** y **S** al mismo tiempo durante aproximadamente 5 segundos hasta que aparezca "LCAL".
2. Gire el mando hasta que el visor muestre "rST" y pulse el botón **S** para seleccionar.
3. Pulse el botón **S** cuatro veces (el visor mostrará "Con.3", "Con.2", "Con.1" y haga sonar el zumbador para confirmar que se ha efectuado el restablecimiento de fábrica).

### 5.2.8 Ajuste de brillo del visor

Si es necesario, el brillo del visor puede ajustarse en un margen limitado (20% al 100%).

1. Pulse los botones **F** y **S** al mismo tiempo durante aproximadamente 5 segundos hasta que el visor muestre "LCAL".
2. Gire el mando hasta que el visor muestre "disP" y pulse el botón **S** para seleccionar.
3. Gire el mando entre los ajustes y seleccione el brillo necesario  
*Los valores visualizados indican el brillo del visor*
4. Pulse el botón **S** para guardar el valor.
5. Pulse el botón **F** para volver al visor de temperatura normal.



## 5.3 Propiedades adicionales del TC120

### 5.3.1 Ajuste del termostato de sobretemperatura

En la parte superior derecha de la unidad se encuentra un mando de corte por sobretemperatura con una escala de temperatura. La sonda de sobretemperatura supervisa de manera independiente la temperatura del baño y apaga el calentador si ésta supera el umbral de corte. El umbral de corte por temperatura del T100 se establece en 110 °C. Para el TC120, el umbral de corte por temperatura puede ajustarse a discreción.

#### Ajuste aproximado del termostato de sobretemperatura

Gire el mando de corte por temperatura de acuerdo con la escala marcada al ajuste deseado. Éste debe ser superior a la temperatura ajustada para evitar activar el corte antes de haber alcanzado dicha temperatura.

Si se activa la alarma, ésta puede cancelarse pulsando una vez el botón **F** o **S**. La unidad debe apagarse para borrar la alarma de corte. Para continuar utilizando el TC120, deje que el líquido del baño se enfríe al menos 5°C de forma natural o sustituyendo el líquido. El TC120 puede encenderse y utilizarse a temperaturas de hasta 5 °C del valor de corte por sobretemperatura.

#### Ajuste alternativo del termostato de sobretemperatura

Gire el mando de corte por temperatura al máximo (o al menos un valor por encima del nivel requerido) y configure la temperatura ajustada en el nivel de corte requerido. Deje que el baño alcance la temperatura ajustada y se estabilice durante al menos 5 minutos. Gire el mando de corte lentamente a la izquierda hasta que se encienda la lámpara de alarma y la alarma suene de forma intermitente. El visor alternará entre mostrar “Cut” (Corte) y la temperatura del líquido. De este modo, el punto de desconexión por sobretemperatura se establece en la temperatura ajustada. La alarma acústica puede cancelarse pulsando una vez el botón **F** o **S**.

La unidad debe apagarse para borrar la alarma de corte. Para continuar utilizando el TC120, deje que el líquido del baño se enfríe al menos 5 °C de forma natural o sustituyendo el líquido. El TC120 puede encenderse y utilizarse a temperaturas de hasta 5 °C del valor de corte por sobretemperatura.

### 5.3.2 Ajuste de un temporizador de cuenta atrás

El TC120 incluye un temporizador de cuenta atrás en minutos que activa una alarma acústica al llegar a cero. El temporizador puede ajustarse entre 1 minuto y 6000 minutos (100 horas).

1. Pulse el botón **F** dos veces – el visor mostrará “Cloc” (Reloj).
2. Pulse el botón **S** para seleccionar.
3. Utilice el mando principal para seleccionar “On” y pulse el botón **S** para seleccionar. El visor parpadea indicando el tiempo (en minutos). Gire el mando de desplazamiento para ajustar el tiempo que desee.
4. Pulse el botón **S** para guardar y volver al visor de la temperatura del líquido con la cuenta atrás del temporizador iniciada.

Cuando se ajusta el reloj de cuenta atrás, el visor alterna entre la temperatura del baño y el tiempo restante en minutos.

Cuando el temporizador llegue a cero, sonará la alarma y el visor alternará entre la temperatura del agua y “End” (Fin). La alarma puede aceptarse pulsando los botones **F** o **S**.

***Nota: El TC120 continuará controlando a la temperatura ajustada una vez el temporizador llegue a cero – el calentador no se apagará.***

### 5.3.3 Cancelación del temporizador

El temporizador de cuenta atrás puede cancelarse fácilmente.

1. Pulse el botón **F** dos veces – el visor mostrará “Cloc” (Reloj).
2. Pulse el botón **S** para seleccionar.
3. Utilice el mando principal para seleccionar “Off” y pulse el botón **S** para seleccionar.  
El visor volverá a la temperatura del baño y el temporizador se cancelará.

### 5.3.4 Ajuste de una alarma de advertencia de alta temperatura

La alarma de alta temperatura establece que suene un zumbador de advertencia si la temperatura del baño supera un determinado nivel.

1. Pulse el botón **F** tres veces – el visor mostrará “Alar”.
2. Pulse el botón **S** para seleccionar.
3. Utilice el mando principal para seleccionar “On” y pulse el botón **S** para seleccionar.  
El valor de alarma de alta temperatura parpadea en el visor. Gire el mando para ajustar la alarma de alta temperatura requerida.
4. Pulse el botón **S** para guardar y volver a la temperatura del líquido.

Si se supera el valor de alarma de alta temperatura, el TC120 hará sonar el zumbador de forma intermitente y mostrará “-Al-” en el visor. La alarma puede confirmarse pulsando los botones **F** o **S**. No obstante, la alarma es persistente y se activará de nuevo si la temperatura sigue superando el valor de alta temperatura. La alarma puede cancelarse siguiendo los pasos anteriores, pero utilizando el mando para seleccionar “Off” en el paso 3 y pulsando el botón **S** para confirmar.

**Nota: La alarma de alta temperatura no apagará el calentador.**

### 5.3.5 Selección del tipo de líquido

El tipo de líquido establece los límites del margen de temperatura ajustado.

1. Pulse el botón **F** cuatro veces – el visor mostrará el tipo de líquido actual.
2. Utilice el mando principal para seleccionar el líquido requerido.
3. Pulse el botón **S** para ajustar el tipo de líquido y volver al visor de temperatura normal.

La siguiente selección de tipos de líquido cambia el margen ajustable de la siguiente manera:

Líquido	Margen de temperatura ajustado
H2O	Desde 0 °C hasta 100 °C
Aceite	Desde 0 °C hasta 120 °C
LTL*	Desde -25 °C hasta 50 °C

\* LTL = líquido de baja temperatura, por ejemplo, 50% agua/50% glicol

## 6.0 Especificaciones técnicas

### 6.1 Condiciones de funcionamiento

Margen de temperatura ambiente	Desde 5 hasta 40 °C
Altitud sobre el nivel del mar	Hasta 2.000 m (6.500 pies)
Entorno de funcionamiento	Sólo uso en interiores
Humedad relativa máxima	Desde un 80% de humedad relativa a un máximo de 31 °C hasta un 50% de humedad relativa a 40 °C

### 6.2 Datos eléctricos

Alimentación: 220-240 V a 50/60 Hz o 110-120 V a 50/60 Hz  
 Grado de contaminación: 2  
 Categoría de instalación: II

Las fluctuaciones de la tensión de alimentación no deben superar  $\pm 10\%$  de la tensión de alimentación nominal.

### 6.3 Rendimiento del producto

	T100	T100L	TC120	TC120L
Margen de temperatura ajustable	Desde 0 °C hasta 100 °C		Desde -25 °C hasta 120 °C	
Temperatura mín. de funcionamiento	Desde 5 °C hasta 100 °C		Desde -25 °C hasta 120 °C	
Estabilidad (DIN 12876)	$\pm 0.05$ °C †			
Uniformidad (DIN 12876)	$\pm 0.1$ °C			
Presión máx. del cabezal de bomba	-		210 mBar (sin flujo)	
Caudal máx. de bomba	-		16 l/min	
Consumo máx. de corriente	6.5 A	12.5 A	6.5 A	12.5 A
Potencia del calentador	1.3 kW	1.4 kW	1.3 kW	1.4 kW

† La estabilidad de la temperatura puede verse afectada ( $\pm 0,3$  C) en presencia de fuertes campos RF (10 V/m) a 380-400 MHz. Este nivel de interferencia es poco probable y sólo es probable encontrarlo en emplazamientos industriales con mucho ruido eléctrico tal y como se definen en EN61326”

### 6.4 Información sobre los accesorios de baño

	ST5	ST12	ST18	ST26	ST38
Capacidad del depósito (litros)	5	12	18	26	38
Profundidad del líquido mín./máx. (mm)	85/140	85/140	75/130	125/180	125/180
	P5	P12	P18		
Capacidad del depósito (litros)	5	12	18		
Profundidad del líquido mín./máx. (mm)*	85/140	85/140	85/140		

## 7.0 Consejos técnicos

---

### 7.1 ¿Qué clase de agua debe utilizarse en el baño?

Para la fiabilidad a largo plazo de los baños maría, es importante utilizar agua con mucho oxígeno sin iones ni minerales que puedan corroer el acero inoxidable. Recomendamos el uso de agua destilada y de agua desionizada proveniente de sistemas modernos de intercambio iónico que no utilicen lavado con sal para regenerar los cartuchos de intercambio iónico.

El acero inoxidable está protegido de la corrosión por una capa de óxido de cromo. Si esta capa resulta dañada, el oxígeno presente en el agua puede reparar la capa de óxido. Si el agua no tiene gas o está desoxigenada y se daña la capa de óxido, los iones pueden corroer el depósito de acero inoxidable. Si el baño maría no se ha utilizado durante un tiempo prolongado o el agua ha hervido, recomendamos cambiarla por agua destilada nueva o por el agua desionizada correcta.

Normalmente, el agua contiene iones de calcio y magnesio. Al agua desionizada le han sido extraídos la mayoría de iones, como lo indica su nivel de conductividad; cuanto más pura es el agua menor es su conductividad. Es importante utilizar sólo agua desionizada de un sistema de intercambio iónico con cartuchos reemplazables. No utilice agua desionizada generada en un sistema de intercambio iónico que incorpore un sistema de lavado por sal para regenerar la resina de intercambio iónico, ya que pueden quedar iones de sodio, muy corrosivos para el acero inoxidable.

### 7.2 Cómo evitar el óxido de los baños maría

La mayoría de los depósitos Grant, además de las partes sumergidas, están fabricados con acero inoxidable tipo 304, que es una calidad de acero inoxidable de uso general muy versátil. Sus excelentes características de conformación han logrado que esta calidad de acero sea la predominante en la fabricación de baños maría de laboratorio e industriales, además de fregaderos domésticos y sartenes. El acero inoxidable tipo 304 es muy adecuado para aplicaciones en que la higiene es importante; presenta una buena resistencia al calor y una excelente resistencia a la corrosión.

Sin embargo, a pesar de su resistencia general a la corrosión superficial, el acero inoxidable puede sufrir determinados tipos de corrosión, como picaduras (corrosión con pequeños orificios de aguja) y grietas de corrosión por tensión. También puede sufrir corrosión generalizada en determinados entornos, como los que contienen ácido clorhídrico y ácido sulfúrico.

El acero inoxidable está protegido por su alto contenido en elementos de aleación, especialmente cromo y níquel. El cromo es el más importante con respecto a la resistencia a la corrosión, aunque el níquel refuerza la acción del cromo. El cromo forma una capa de óxido sobre la superficie del acero que inhibe su oxidación posterior. Esta capa se adhiere extremadamente bien al sustrato metálico, pero es fundamental que permanezca intacta y hay que protegerla de varios tipos de daños.

Si la superficie de óxido de cromo se daña, el oxígeno presente en el agua puede repararla parcialmente, por lo que se recomienda que el agua sea siempre nueva y esté bien oxigenada. Los baños maría que no van a utilizarse durante un periodo de tiempo prolongado deben vaciarse para limpiar toda la humedad del fondo del depósito.

En ocasiones puede aparecer una capa marrón en la superficie del depósito de acero inoxidable. En la mayoría de los casos no se trata de óxido, sino de posos superficiales de minerales provenientes de la red local de suministro de agua o de partículas ferrosas o sales que han caído dentro del depósito. Estos posos pueden eliminarse normalmente con un limpiador doméstico como Duraglit o un limpiador de metales como Silvo.

### 7.3 Cómo evitar las algas y las bacterias

Los baños maría constituyen un entorno ideal para el crecimiento de microorganismos. Si no se controla, el crecimiento de estos organismos puede ocasionar diversos problemas graves, además de riesgos para la salud por las bacterias patógenas.

El crecimiento de algas en la superficie de los componentes causa incrustaciones biológicas, lo que puede reducir el rendimiento.

Los microorganismos que producen residuos metabólicos ácidos pueden causar biocorrosión por la despolarización de las superficies de metal.

Hay distintos biocidas disponibles en el mercado.

## 8.0 Información de garantía

---

Utilizado en condiciones de laboratorio y según este manual, este producto tiene una garantía de TRES AÑOS frente a defectos de materiales y mano de obra.

Puede adquirir una garantía ampliada para el cuarto y quinto año poniéndose en contacto con nuestro departamento de ventas en [labsales@grantinstruments.com](mailto:labsales@grantinstruments.com).

## 9.0 Mantenimiento y servicio

---

### 9.1 Mantenimiento periódico

El corte por sobretensión en el TC120 debe comprobarse periódicamente girando a la izquierda el correspondiente mando de sobretensión con un destornillador hasta que se encienda la lámpara de alarma. El TC120 también hará sonar un zumbador y aparecerá "Cut" (Corte) en el visor. El mando de sobretensión debe girarse al ajuste máximo sin la cancelación de la alarma. El TC120 debe apagarse y volver a encenderse para confirmar que el corte pueda restablecerse correctamente. Si la lámpara de alarma no se enciende cuando el valor indicado en el mando de sobretensión es superior a 10 °C por debajo de la temperatura actual tal y como muestra el visor principal, la unidad debe ponerse en manos de personal competente para que la revise.

Compruebe también periódicamente la protección de nivel de líquido de flotador reduciendo el nivel del líquido del baño; la unidad debe detenerse con la espira superior del calentador aún sumergida en el líquido. El flotador también debe comprobarse periódicamente para garantizar la ausencia de cal, suciedad o residuos que puedan obstaculizar el funcionamiento con un bajo nivel de líquido.

Cuando la bomba lleve mangueras instaladas, inspecciónelas periódicamente y cámbielas cuando sea necesario para evitar fallos.

No se requiere ningún otro mantenimiento periódico.

### 9.2 Limpieza

Limpie el exterior del equipo con un paño humedecido sólo con agua. No utilice limpiadores químicos. Antes de utilizar cualquier otro método de limpieza o descontaminación, consulte a Grant Instruments o a su representante local para asegurarse de que el método propuesto no dañará el equipo. Las incrustaciones en las partes sumergidas pueden eliminarse con productos químicos desincrustantes diseñados para su uso en equipos que contengan piezas metálicas.



Los productos desincrustantes pueden ser tóxicos, por lo que deben seguirse siempre las instrucciones del fabricante

### 9.3 Fusibles

Los fusibles del T100 y TC120 son internos y no es necesario sustituirlos. Póngase en contacto con el departamento de servicio de Grant Instruments si la unidad tiene un fallo en algún fusible.

### 9.4 Sustitución del cable de alimentación

Todos los cables de alimentación de repuesto utilizados con el T100 o TC120 deben cumplir las mismas especificaciones que el cable original suministrado con la unidad para mantener la seguridad de la misma.

El cable debe tener el siguiente marcado: <HAR>, HO5VV-F 3Gx1mm<sup>2</sup> 90°C y ha de poder transportar 10 A. El enchufe y el conector IEC deben llevar las autorizaciones correspondientes de un organismo de certificación europeo (porejemplo, BSI, VDE o equivalente).

### 9.5 Pruebas de seguridad rutinarias

Si van a realizarse pruebas rutinarias, recomendamos una prueba de la integridad del conductor de tierra protector y una prueba de aislamiento a 500 V CC. No se recomienda realizar pruebas instantáneas rutinarias con ningún equipo eléctrico, porque las pruebas de alta tensión repetidas degradan los materiales aislantes.

### 9.6 Servicio

Si resulta necesario reparar el equipo, desconecte la unidad y póngase en contacto con Grant Instruments o con su representante local.

Tenga en cuenta que todas las unidades devueltas deben ir acompañadas de un número de autorización de devolución de material (RMA), que puede obtenerse poniéndose en contacto con el departamento de servicio de Grant (cuyos datos figuran a continuación).

Service Department  
Grant Instruments (Cambridge) Ltd  
Shepreth  
Cambridgeshire  
SG8 6GB  
Reino Unido

Tel.: +44 (0) 1763 260 811  
Fax: +44 (0) 1763 262 410  
E-mail: [labservice@grantinstruments.com](mailto:labservice@grantinstruments.com)

## 10.0 Accesorios opcionales

---

La lista completa de accesorios y opciones puede encontrarse en el catálogo de referencia científico de Grant (cuya copia le enviaremos previa petición) y en el sitio web de Grant en [www.grantinstruments.com](http://www.grantinstruments.com).

## 11.0 Solución de problemas

Síntoma	Causa posible	Acción necesaria
El visor indica "Cut" (Corte)	Se ha activado el corte por sobretemperatura.	<p>Compruebe que la temperatura ajustada sea la correcta y que la temperatura de corte por sobretemperatura esté ajustada al menos 5 °C por encima de la temperatura ajustada. Consulte el apartado 5.3.1 para las instrucciones de ajuste.</p> <p>Si la temperatura de corte por sobretemperatura se ha ajustado correctamente, pero la unidad muestra todavía una alarma "Cut" (Corte), la unidad tiene un fallo interno y debe repararse antes de volver a utilizarse.</p>
La temperatura no sube cuando debería.	<p>La temperatura ajustada es inferior a la del líquido</p> <p>La temperatura ajustada es demasiado próxima a la temperatura ambiente</p>	<p>Compruebe que la temperatura ajustada del baño sea la correcta (consulte el apartado 5.2.3).</p> <p>Aumente la temperatura ajustada (consulte el apartado 5.2.3) o instale el refrigerador auxiliar (consulte el apartado 4.8).</p>
La temperatura sigue subiendo cuando no debería	La temperatura ajustada es superior a la del líquido	Compruebe que la temperatura ajustada del baño sea la correcta (consulte el apartado 5.2.3).
Se ha encendido la luz de alarma	<p>Se ha activado el corte por sobretemperatura.</p> <p>Se ha activado el interruptor de flotador de nivel de líquido bajo</p>	<p>Compruebe que el corte por sobretemperatura esté ajustado adecuadamente (consulte el apartado 5.3.1).</p> <p>Compruebe que el nivel de líquido en el baño sea el adecuado (consulte el apartado 6.4 para los niveles mínimos de llenado).</p>
La temperatura ajustada está demasiado limitada	El tipo de líquido ajustado no permite la temperatura ajustada requerida	Cambie a otro tipo de líquido (consulte el apartado 5.3.5).
El visor indica "Flot"	El nivel de líquido ha descendido por debajo del nivel mínimo	Compruebe que el nivel de líquido en el baño sea el adecuado (consulte el apartado 6.4 para los niveles mínimos de llenado).
El visor indica "-Al-"	Se ha activado la alarma de advertencia de alta temperatura	<p>Compruebe que la temperatura ajustada del baño sea la correcta (consulte el apartado 5.2.3).</p> <p>Compruebe que la alarma de alta temperatura sea la correcta (apartado 5.3.4).</p> <p>Compruebe que el nivel de líquido en el baño sea el adecuado (consulte el apartado 6.4 para los niveles mínimos de llenado).</p>

ES

El visor indica "Er H"	Valor de calibración incorrecto	El punto de calibración de alta temperatura es inferior a 40 °C por encima del punto de calibración de baja temperatura – seleccione una temperatura más alta (consulte el apartado 5.2.6).
El visor indica "Er L"	Valor de calibración incorrecto	El punto de calibración de baja temperatura es inferior a 40 °C por debajo del punto de calibración de alta temperatura – seleccione una temperatura más baja (consulte el apartado 5.2.6).
El visor indica "Er d"	Valor de calibración incorrecto	El valor de calibración es superior a 10 °C de la temperatura ajustada – compruebe la lectura del termómetro y la temperatura ajustada (consulte el apartado 5.2.6).
El visor indica "Open" (Abierto)	Sonda de temperatura defectuosa	Ponga la sonda en manos de personal competente para que revise si hay un fallo de circuito abierto o póngase en contacto con Grant.
El visor indica "Shrt" (Cortocircuito)	Sonda de temperatura defectuosa	Ponga la sonda en manos de personal competente para que revise si hay un fallo de cortocircuito o póngase en contacto con Grant.
La unidad muestra temperaturas irregulares	Los valores de calibración no están ajustados correctamente	Restablezca los ajustes de calibración de fábrica (consulte el apartado 5.2.7) y, a continuación, realice una nueva calibración si es necesario (consulte el apartado 5.2.6).
El visor indica "Hot" (Caliente)	Se calienta agua a la temperatura de ebullición o próxima a ésta sin tapa  Se calientan cantidades muy grandes de líquido con grandes pérdidas térmicas	Incorpore una tapa para reducir las pérdidas térmicas y deje en marcha la unidad con la advertencia "Hot" (Caliente). Si la alarma no se ha borrado en 1 hora, póngase en contacto con Grant.  Incorpore medidas para reducir las pérdidas térmicas y deje en marcha la unidad con la advertencia "Hot" (Caliente). Si la alarma no se ha borrado en 1 hora, póngase en contacto con Grant.
El visor indica "Fuse" (Fusible)	Fusible(s) defectuoso(s)	Ponga los fusibles internos en manos de personal competente para revisarlos o póngase en contacto con Grant.
El visor indica "Crct" (Circuito)	Fallo en la tarjeta de circuitos impresos	Ponga el producto en manos de personal competente para revisarlo o póngase en contacto con Grant.
El visor muestra "Self"	Fallo en el relé de seguridad	Ponga el producto en manos de personal competente para revisarlo o póngase en contacto con Grant.
El motor del agitador no gira	El propulsor de agitación o el rodete de la bomba están obstruidos  Motor defectuoso	Elimine la obstrucción.  Ponga el motor en manos de personal competente para revisarlo o póngase en contacto con Grant.
El visor muestra "Cold" (Frio)	Se ha introducido accidentalmente el modo de restablecimiento del fabricante	La advertencia puede borrarse pulsando el botón <b>S</b> , pero tenga en cuenta que todos los ajustes (incluyendo cualquier calibración de fábrica) se restablecerán a los valores predeterminados. Si es necesario, póngase en contacto con el departamento de servicio de Grant Instruments para obtener ayuda.

Para cualquier otro error o consulta de servicio, póngase en contacto con el departamento de servicio de Grant Instruments.



## 12.0 Comunicación con Grant Instruments

---

En Grant intentamos mejorar continuamente el rendimiento que ofrecemos a nuestros clientes. Si tiene algún comentario sobre los productos o servicios de Grant nos gustaría que nos lo comunicara. Envíe sus comentarios a:

Quality Manager  
Grant Instruments (Cambridge) Ltd  
Shepreth  
Cambridgeshire  
SG8 6GB  
Reino Unido

Tel.: +44 (0) 1763 260 811  
Fax: +44 (0) 1763 262 410  
E-mail: [feedback@grantinstruments.com](mailto:feedback@grantinstruments.com)

## 13.0 Cumplimiento legal

---

### Directiva RAEE

Grant Instruments cumple rigurosamente la normativa sobre residuos de aparatos eléctricos y electrónicos (RAEE) de 2006. Somos miembro del programa de B2B Compliance (aprobación de programa nº WEE/MP3338PT/SCH), que se encarga de gestionar en nuestro nombre nuestras obligaciones en cuanto a gestión de residuos RAEE. Grant Instruments tiene asignado un número de registro exclusivo por parte de la Agencia Medioambiental del Reino Unido, cuya referencia es WEE/GA0048TZ.

Para obtener información relacionada con la recogida de residuos RAEE en el Reino Unido, póngase en contacto con nuestro programa de B2B Compliance directamente en el 01691 676 124.

En otros países, póngase en contacto con el proveedor del equipo.

Para obtener información general sobre RAEE, visite: [www.b2bcompliance.org.uk](http://www.b2bcompliance.org.uk)

### Directiva RoHS

Los productos descritos en este manual satisfacen los requisitos de la directiva sobre reducción de uso de sustancias peligrosas (RoHS) (Directiva 2002/95/CE).

### Seguridad eléctrica y compatibilidad electromagnética

Los productos descritos en este manual satisfacen los requisitos de la directiva de baja tensión (2006/95/CE) sobre seguridad eléctrica y la directiva CEM (2004/108/CE) sobre compatibilidad electromagnética. Consulte la Declaración de conformidad en el interior de la contraportada.

DOMINIQUE DUTSCHER SAS

# Declaration of Conformity

<b>Manufacturer:-</b>	GRANT INSTRUMENTS (CAMBRIDGE) LTD, Shepreth, Cambridgeshire SG8 6GB
<b>Equipment Name/Type Number:-</b>	Optima range: T100, T100 ELE, T100 IN, T100L, T100L CB, TC120, TC120L,
<b>Description of Equipment:-</b>	Laboratory Immersion Thermostat
<b>Directives:-</b>	EMC Directive 2004/108/EC LVD Directive 2006/95/EC
<b>Including Accessories:-</b>	Detachable cordset on 220-240V models
<b>CE marking first applied:-</b>	2012

<b>Applied Standards:-</b>	BS EN 61326-1:2006 Electrical Equipment for measurement, control and laboratory use - EMC requirements - Part 1: General requirements
<b>Harmonized Standards:-</b>	BS EN61010 Part 2-010:2003 Safety requirements for electrical equipment for measurement, control and laboratory use; particular requirements for laboratory equipment for the heating of materials

*The product complies with the above directives when used with the supplied mains cord-set; it may not comply if an alternative cord-set is used.*

I declare that this apparatus conforms to the requirements of the above Directive(s)



Ludo Chapman  
Managing Director  
Grant Instruments (Cambridge) Ltd.

Dated..... 30 AUGUST 2012 .....

## USA

This device complies with Part 15 of the FCC rules. Operation is subject to the following two conditions: (1) this device may not cause harmful interference, and (2) this device must accept any interference received, including interference that may cause undesired operation.

# Grant

**Grant Instruments  
(Cambridge) Ltd**

Shepreth  
Cambridgeshire  
SG8 6GB  
UK

Tel: +44 (0) 1763 260811  
Fax: +44 (0) 1763 262410  
Email: [labsales@grantinstruments.com](mailto:labsales@grantinstruments.com)  
[www.grantinstruments.com](http://www.grantinstruments.com)