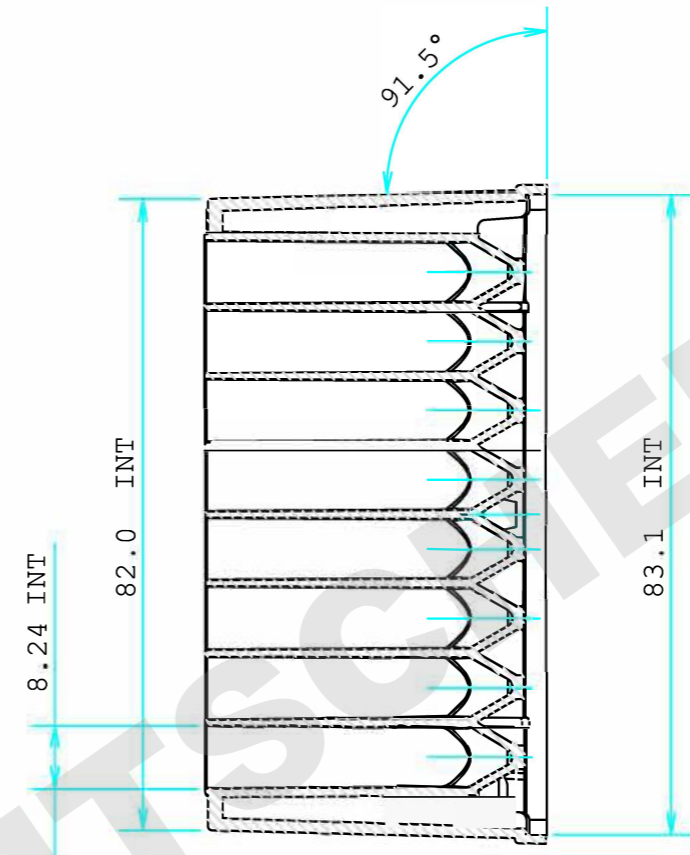
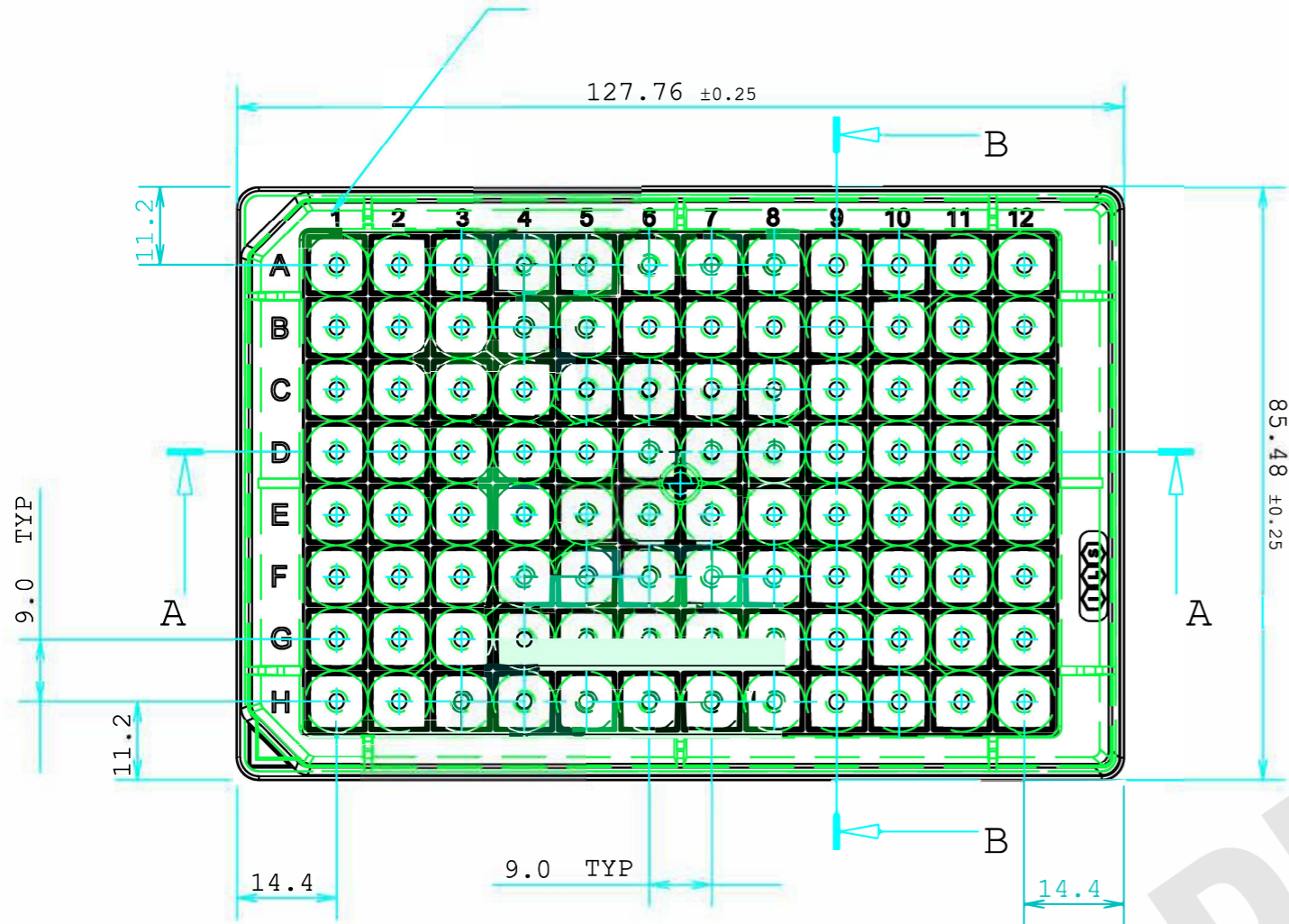
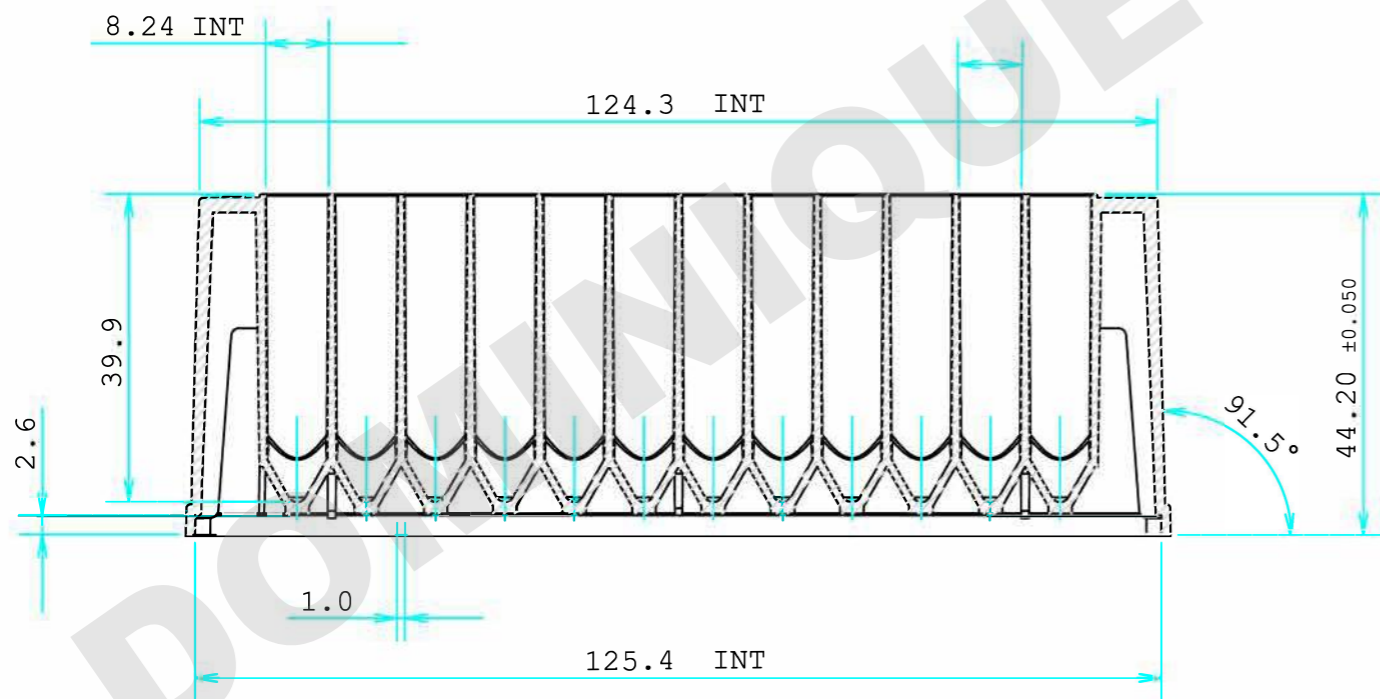


ENGRAVING ON THE OUT SIDE

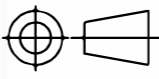



Sect. B-B



Sect. A-A

WEIGHT OF MOULDING = 95 GRAMS.
 WELL VOLUME 2.20ml.
 THE MOULDINGS MUST STACK.
 THE MOULDINGS MUST DE-STACK INDIVIDUALLY.

THIRD ANGLE PROJECTION  ALL DIMENSIONS IN MILLIMETERS UOS.	DRN N.C.	SHEET 1 OF 1	 Irish Life Sciences <small>Commitment for Science</small>
	DATE 111218	SCALE 1:1, UOS.	
	MATL:- PP	2.2ml 96 SQUARE WELL.	
	REV J	V BOTTOM	2.2S96-008V