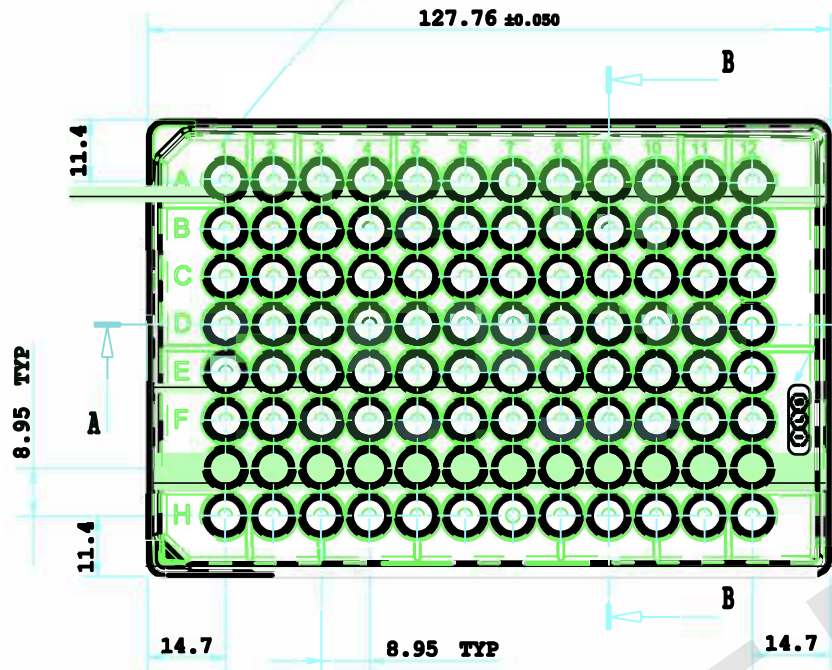
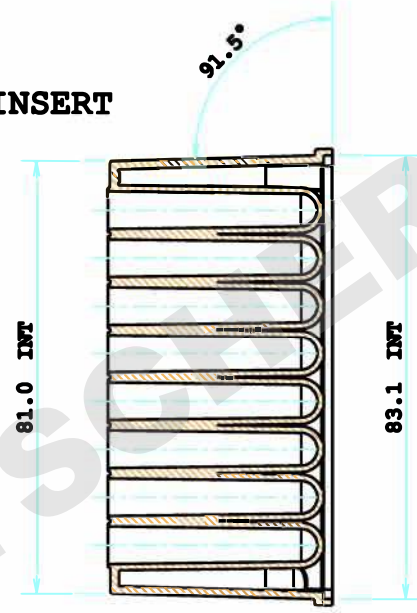


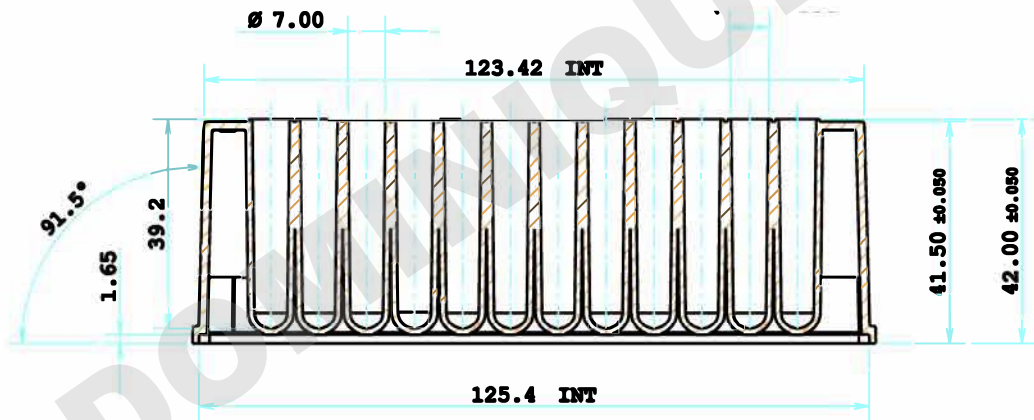
TEXT ON THE UNDERSIDE



TEXT INSERT





Sect. B-B



Sect. A-A

CALCULATED WEIGHT OF MOULDING = 133.2 GRAMS.  
WELL VOLUME 1.28 ml.

THIRD ANGLE PROJECTION  ALL DIMENSIONS IN MILLIMETERS UOS.	DRW M.C.	SHEET 1 OF 1	 ILS High Life Sciences Instrumentation
	DATE 171018	SCALE 1:1, UOS.	
	MATL:- PP		
	REV H	1.2R96-009U	