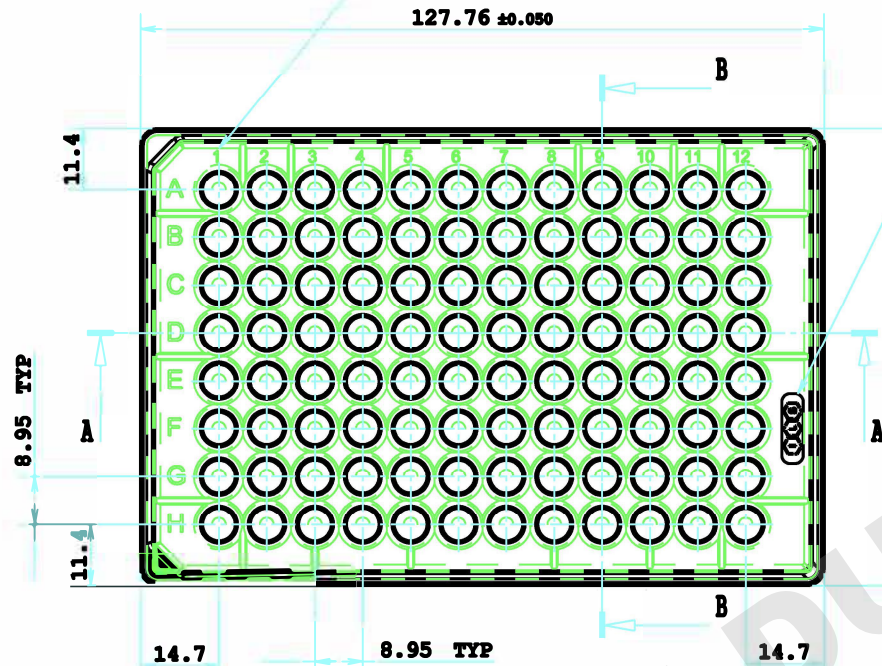
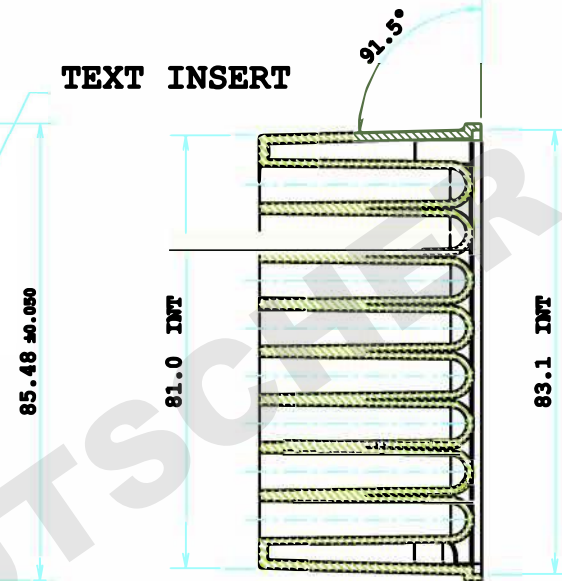


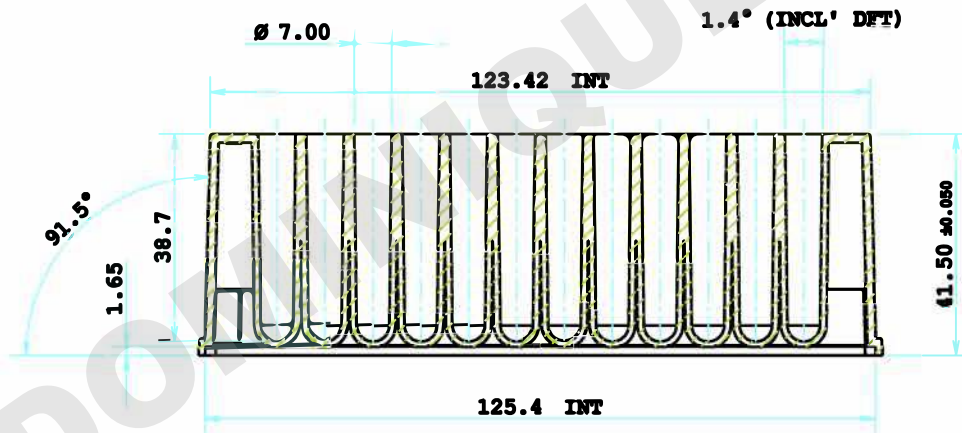
TEXT ON THE UNDERSIDE



TEXT INSERT





Sect. B-B



Sect. A-A

CALCULATED WEIGHT OF MOULDING = 130.5 GRAMS.
 WELL VOLUME 1.265 ml.
 THE MOULDINGS MUST STACK.
 THE MOULDINGS MUST DE-STACK INDIVIDUALLY.
 SEE 3D MODEL FOR ALL OTHER DETAIL.

THIRD ANGLE PROJECTION  ALL DIMENSIONS IN MILLIMETERS U08.	DRW W.C.	SHEET 1 OF 1	 Irish Life Sciences Contract Manufacturing
	DATE 171018	SCALE 1:1, U08.	
	MATL:- PP	REV H	1.2R96-010UNR