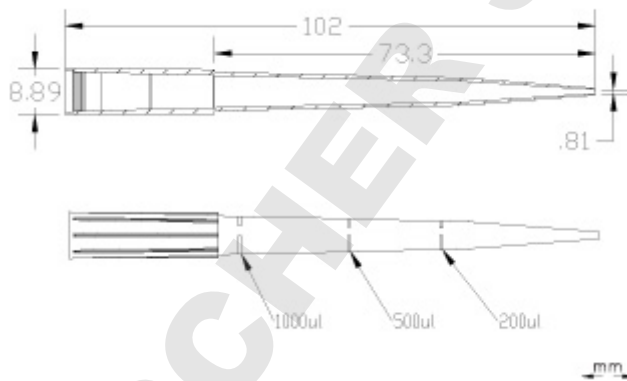


1000 µl (50-1250 µl) XT - Catalog #34770



Catalog #	Description
34770	Natural, Polypropylene
Packaging Type	Packaging Details
QuickRack	Non-Sterile, Reload, 768 Tips/Pack, 5 Packs/Case, QuickRack
Attributes	



Certified Human DNA Free
 Certified PCR Inhibitor Free
 Certified Pyrogen Free

Volume Range: 50-1250 µl
Grad Lines: 200, 500, 1000 µl