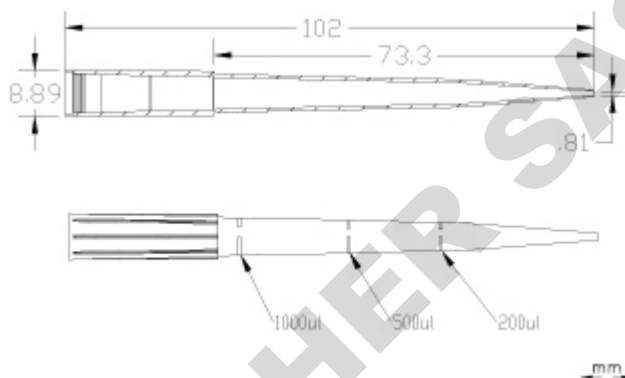


1000 µl (50-1250 µl) XT - Catalog #34760



Catalog #	Description
34760	Natural, Polypropylene, Sterile
Packaging Type	Packaging Details
Racked Tips	Sterile, 96 Tips/Rack, 8 Racks/Pack, 5 Packs/Case, Hinged Rack
Attributes	



Certified Human DNA Free
 Certified PCR Inhibitor Free
 Certified Pyrogen Free

Volume Range: 50-1250 µl
Grad Lines: 200, 500, 1000 µl

DOMINIQUE DUTSCHER SAS