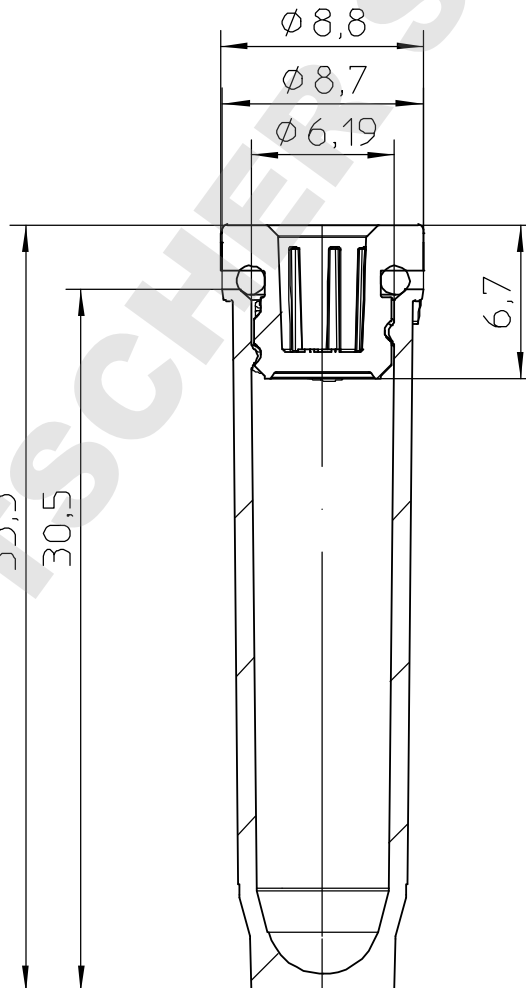




Valid for Item-No.: 132202, 132263, 132202-2D1, 132263-2D1



DOMINIQUE DUBSCHKE SAS

"All dimensions in mm"

Customer drawing subject to change without notice!

Uncontrolled Copy

Prior Issue	Drawn	Approved	Released	CONFIDENTIAL: Information contained in this document or drawing is confidential and property of Greiner Bio-One GmbH. This document may not be reproduced for any reason without written permission from Greiner Bio-One GmbH. All rights of design, invention, and copyright are reserved.
Revision	Date 2014/09/29	Date 2014/10/02	Date 2014/10/02	
Date	Name falter	Name falter	Name sonntag	