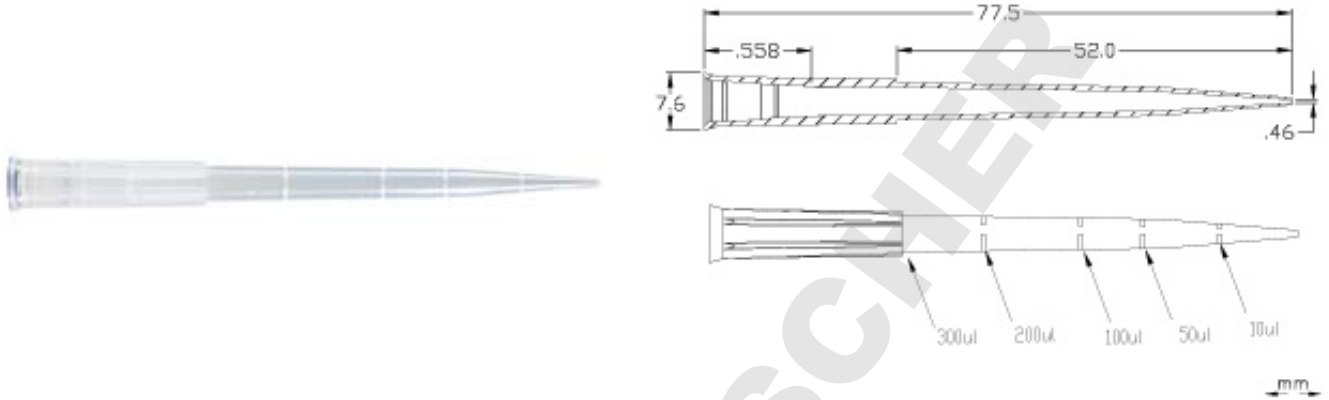


300 µl (1-300 µl) XT - Catalog #30800



Catalog #

30800

Description

Natural, Polypropylene

Packaging Type

Bulk Tips

Packaging Details

Non-Sterile, Bulk, 1,000 Tips/Bag, 10 Bags/Case , Bulk Pack

Attributes



Certified Human DNA Free
Certified PCR Inhibitor Free
Certified Pyrogen Free

Volume Range: 1-300 µl

Grad Lines: 10, 50, 100, 200 µl