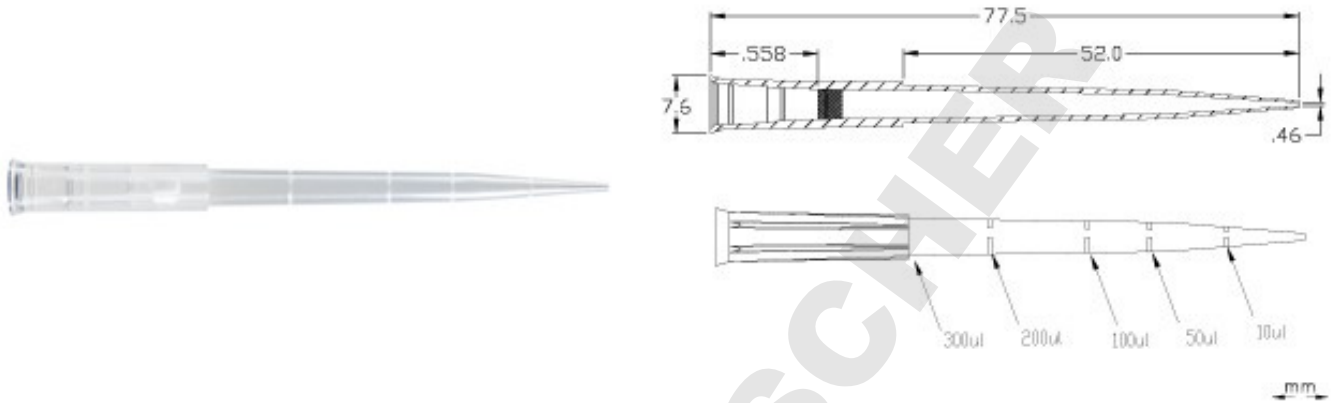


300 µl (1-300 µl) XT Barrier - Catalog #30510-X



Catalog #

30510-X

Description

Natural, Polypropylene, Sterile

Packaging Type

Racked Tips

Packaging Details

Sterile, 96 Tips/Rack, 10 Racks/Pack, 5 Packs/Case, Cell Rack

Attributes



Certified RNase/DNase Free
 Certified Human DNA Free
 Certified PCR Inhibitor Free
 Certified Pyrogen Free

Material: Polypropylene

Volume Range: 1-300 µl

Grad Lines: 10, 50, 100, 200 µl