

# Baoding Shenchen Precision Pump Co., Ltd.

Add: No.103, Building 2, Pivot Industrial Park, FuXing East Road, Baoding,China.

Website: [www.good-pump.com](http://www.good-pump.com)

Tel: 0086-312-6780681

Fax: 0086-312-6780636

## Basic Peristaltic Pump- Lab M Series

Model No.: Lab M1, Lab M3, Lab M6



Acceptable Pump Head: YZ1515x, YZ2515x, SN Series, MC Series



# Baoding Shenchen Precision Pump Co., Ltd.

Add: No.103, Building 2, Pivot Industrial Park, FuXing East Road, Baoding,China.

Website: [www.good-pump.com](http://www.good-pump.com)

Tel: 0086-312-6780681

Fax: 0086-312-6780636

---

## Product Introduction:

The second generation basic type peristaltic pump, with ABS engineering plastic housing, streamlined body design, more fashion sense. Speed range: 0.5-600rpm/min, suitable for various pump heads. Flow rate range: 0.00034-2280ml/min. Membrane keypad control, multiple external control for selection. Support RS232/RS485 (standard Modbus protocol) communication, it is easy to connect with computer, PLC, HMI etc.

## Function and Features:

- 3 digital LED display the motor speed.
- Membrane keypad control, not only adjust speed manually, but also control automatically through external interface.
- Full speed button: with full filling and emptying function.
- Timing test function, time range: 0.5-999s, setting test time freely, can be used for simple dispensing.
- Internal isolate external control design. External control signal have active signal and passive signal, users can use it freely.
- RS232 and RS485 communication for option. The pump can be controlled by PC through RS232 and serial debugging software, control the pump start/stop, direction and speed. To achieve dispensing and filling function. It also can feedback pump working status according with external control request.
- Big torque, low consumption, strong adaptability.
- Good performance drive circuit, good cooling condition, low noise, working stable, power down memory function.
- Super strong anti-jamming feature, wide voltage design, suitable for complex power supply environment.
- Circuit board spray with three anti-paint. Anti-dust, anti-moisture, anti-static, resist corrosion.

## Technical Specification:

|                           |                                                                                                       |
|---------------------------|-------------------------------------------------------------------------------------------------------|
| <u>Flow rate range</u>    | <u>LabM1: 0.00034~570ml/min</u><br><u>LabM3:0.00034-1330ml/min</u><br><u>LabM6:0.00034-2280ml/min</u> |
| <u>Speed range</u>        | <u>0.1-600rpm</u>                                                                                     |
| <u>Speed resolution</u>   | <u>0.1rpm</u>                                                                                         |
| <u>Back suction angle</u> | <u>0-360°</u>                                                                                         |
| <u>Testing time range</u> | <u>0.5s – 999s</u>                                                                                    |
| <u>Outlet pressure</u>    | <u>0.1Mpa ( 0.86-1.0mm wall thickness tubing)</u>                                                     |

# Baoding Shenchen Precision Pump Co., Ltd.

Add: No.103, Building 2, Pivot Industrial Park, FuXing East Road, Baoding,China.

Website: [www.good-pump.com](http://www.good-pump.com)

Tel: 0086-312-6780681

Fax: 0086-312-6780636

|                                      |                                                                                  |
|--------------------------------------|----------------------------------------------------------------------------------|
|                                      | 0.1-0.27Mpa ( 1.6-2.4mm wall thickness tubing)                                   |
| <u>Motor type</u>                    | <u>Stepper motor</u>                                                             |
| <u>Circuit system</u>                | <u>Shenchen-M-CIR</u>                                                            |
| <u>Control system</u>                | <u>Shenchen-M-EMB</u>                                                            |
| <u>Display</u>                       | <u>3 Digital LED display</u>                                                     |
| <u>Control method</u>                | <u>Membrane keypad</u>                                                           |
| <u>External control speed signal</u> | <u>0-5V, 0-10V, 4-20mA for option</u>                                            |
| <u>Start/stop, direction signal</u>  | <u>Passive switch signal, such as foot pedal switch</u><br><u>Default 24V</u>    |
| <u>Communication interface</u>       | <u>RS232/RS485 support MODBUS protocol (RTU mode)</u>                            |
| <u>Output interface</u>              | <u>Output motor working status (Open-Collector output)</u>                       |
| <u>Power supply</u>                  | <u>220V±10%, 50Hz/60Hz ( standard),</u><br><u>110V±10%, 50Hz/60Hz (optional)</u> |
| <u>Drive dimension</u>               | <u>261.4 x 157.3 x 230.7mm ( L x W x H )</u>                                     |
| <u>Drive weight</u>                  | <u>4.40kg</u>                                                                    |
| <u>Power consumption</u>             | <u>&lt;50W</u>                                                                   |
| <u>Environment temperature</u>       | <u>0-40°C</u>                                                                    |
| <u>Relative humidity</u>             | <u>&lt;80%</u>                                                                   |
| <u>IP rate</u>                       | <u>IP31</u>                                                                      |

## Product Composition and Flow Rate:

| Drive  | Speed Range | Pump Head | Tubing Size                                  | Flow Rate ( mL/min) |
|--------|-------------|-----------|----------------------------------------------|---------------------|
| Lab M1 | 0.5-150rpm  | YZ1515x   | 13#,14#,19#, 16#,25#,17#, 18#                | 0.035~570           |
|        |             | YZ2515x   | 15#, 24#                                     | 0.85~435            |
|        |             | MC1-MC12  | ID:0.13-3.17mm,<br>Wall thickness: 0.8-1.0mm | 0.00034-45          |
|        |             | SN25/15   | 14#, 16#, 25#                                | 0.12-375            |
| Lab M3 | 0.5-350rpm  | YZ1515x   | 13#,14#,19#, 16#,25#,17#, 18#                | 0.035~1330          |
|        |             | YZ2515x   | 15#, 24#                                     | 0.85~1015           |
|        |             | MC1-MC12  | ID:0.13-3.17mm,<br>Wall thickness: 0.8-1.0mm | 0.00034-45          |
|        |             | SN25/15   | 14#, 16#, 25#                                | 0.12-875            |
| Lab M6 | 0.5-600rpm  | YZ1515x   | 13#,14#,19#, 16#,25#,17#, 18#                | 0.035~2280          |
|        |             | YZ2515x   | 15#, 24#                                     | 0.85~1740           |
|        |             | MC1-MC12  | ID:0.13-3.17mm,<br>Wall thickness: 0.8-1.0mm | 0.00034-45          |
|        |             | SN25/15   | 14#, 16#, 25#                                | 0.12-1500           |

# Baoding Shenchen Precision Pump Co., Ltd.

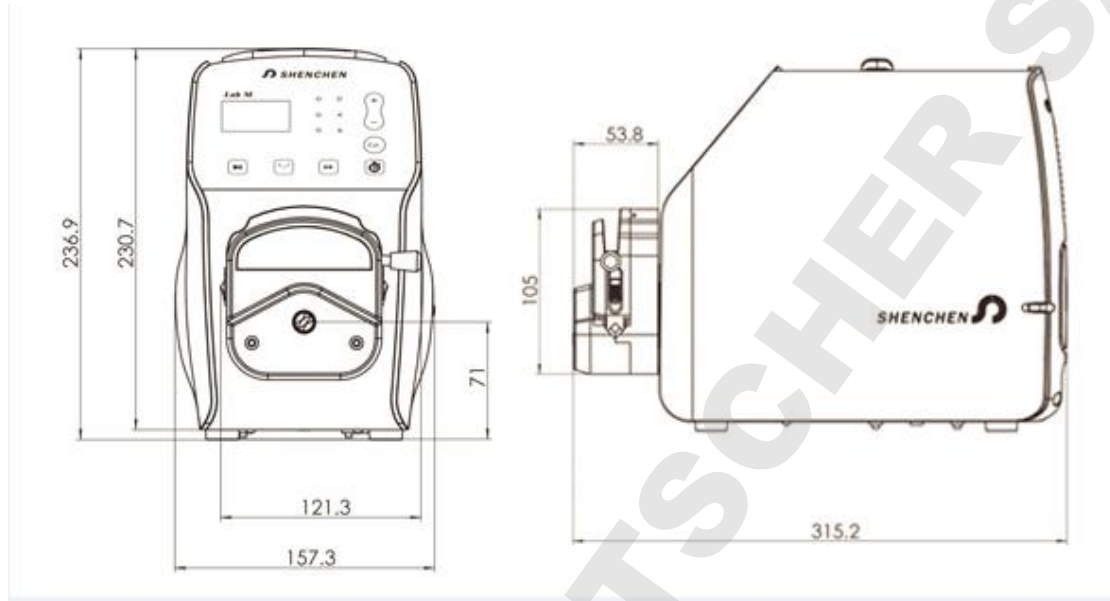
Add: No.103, Building 2, Pivot Industrial Park, FuXing East Road, Baoding,China.

Website: [www.good-pump.com](http://www.good-pump.com)

Tel: 0086-312-6780681

Fax: 0086-312-6780636

## Product Dimension



Baoding Shenchen Precision Pump Co., Ltd.