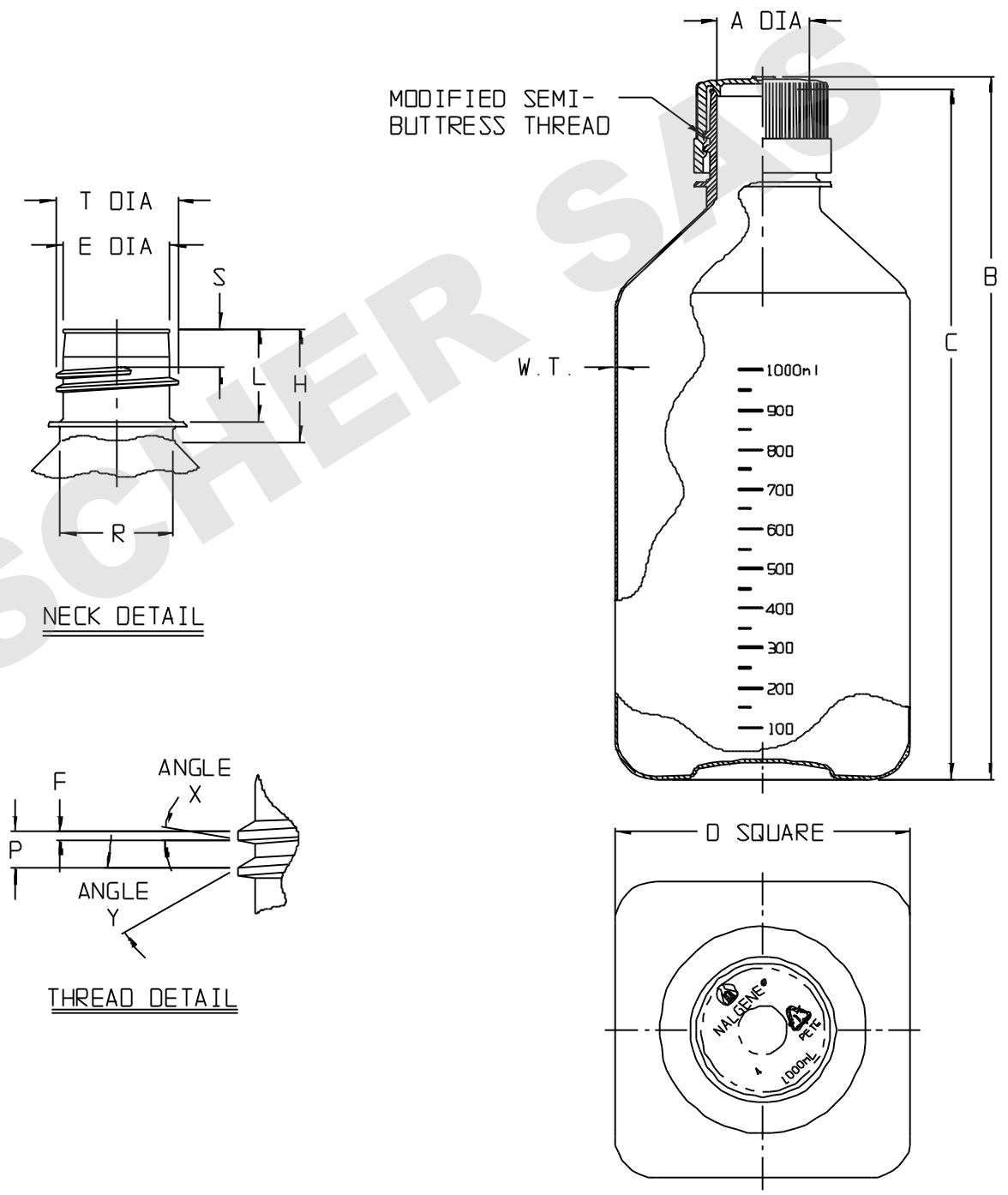


CATALOG NUMBER	NOMINAL CAPACITY, (oz)				MATERIALS	
					BOTTLE	CLOSURE
342040	4	8	20	32	PET	HDPE

SIZE CODE	-0125	-0250	-0650	-1000				
SIZE (NOM VOL mL/oz):	125/4	250/8	650/20	1000/32				
NOM. BRIM CAP. (mL):	184	340	700	1330				
NECK FINISH (mm):	38-430	38-430	38-430	38-430				
THREAD (T.P.I.):	6	6	6	6				
NOM. WEIGHT W/CLOSURE (gms):	40	52	79	102				
	INCHES	MM	INCHES	MM	INCHES	MM	INCHES	MM
A (BTLE. NECK I.D.):	1.12±.025	28.4±0.64	1.12±.025	28.4±0.64	1.12±.025	28.4±0.64	1.12±.025	28.4±0.64
B (HT. W/CLOSURE):	4.28±.04	108.7±1.0	5.74±.06	145.8±1.5	7.00±.09	177.8±2.3	8.60±.09	218.4±2.3
C (HT. W/O CLOSURE):	4.10±.04	104.1±1.0	5.57±.06	141.5±1.5	6.82±.09	173.2±2.3	8.42±.09	213.9±2.3
D (SQUARE):	2.07±.02	52.6±0.5	2.33±.05	59.2±1.3	3.00±.06	76.2±1.5	3.63±.07	92.2±1.8
MIN. WALL @ BOT COR.:	0.007	0.18	0.007	0.18	0.007	0.18	0.010	0.25
MIN. WALL ELSEWHERE:	0.012	0.30	0.012	0.30	0.012	0.30	0.012	0.30
T (MAJOR THRD DIA):	1.47	37.3	1.47	37.3	1.47	37.3	1.47	37.3
E (MINOR THRD DIA):	1.30	33.0	1.30	33.0	1.30	33.0	1.30	33.0
S (START OF THRD):	0.46	11.7	0.46	11.7	0.46	11.7	0.46	11.7
L:	1.12	28.4	1.12	28.4	1.12	28.4	1.12	28.4
H:	1.30	33.0	1.33	33.8	1.30	33.0	1.30	33.0
F (THRD FACE):	0.036	0.91	0.036	0.91	0.036	0.91	0.036	0.91
P (PITCH):	0.167	4.24	0.167	4.24	0.167	4.24	0.167	4.24
R:	1.38	35.1	1.38	35.1	1.38	35.1	1.38	35.1
ANGLE X:	10°		10°		10°		10°	
ANGLE Y:	30°		30°		30°		30°	

- NOTES:
- ALL DIMENSIONS ARE NOMINAL AND IN INCHES AND MILLIMETERS UNLESS OTHERWISE NOTED.
  - THIS IS NOT A PRODUCTION DRAWING, BUT IS FOR INFORMATIONAL PURPOSES ONLY, AND IS SUBJECT TO CHANGE WITHOUT NOTICE.



SPECS ON BACK

NOT TO SCALE

**CONFIDENTIAL**

THIS PRODUCT SPECIFICATION SHEET CONTAINS CONFIDENTIAL AND/OR PROPRIETARY INFORMATION AND IS TO BE USED ONLY FOR THE EXPRESSED PURPOSES AGREED UPON BY AN AUTHORIZED OFFICER OF THERMO FISHER SCIENTIFIC.

**ThermoFisher SCIENTIFIC**

Thermo Fisher Scientific  
75 Panorama Creek Drive  
Rochester, NY 14625-2385, USA

MADE MC <sup>2</sup>	APP'D PVC	PSS 342040-XXXX-1	REV. 1103
DATE MP 11/18/03	11/18/03		

DESCRIPTION: PET, SQUARE, (NARROW-MOUTH) MEDIA LAB QUALITY BOTTLES, STERILE