

CATALOG NO.	** NOMINAL CAPACITY, (mL)					MATERIAL
001201	30	50	100	150	250	PP

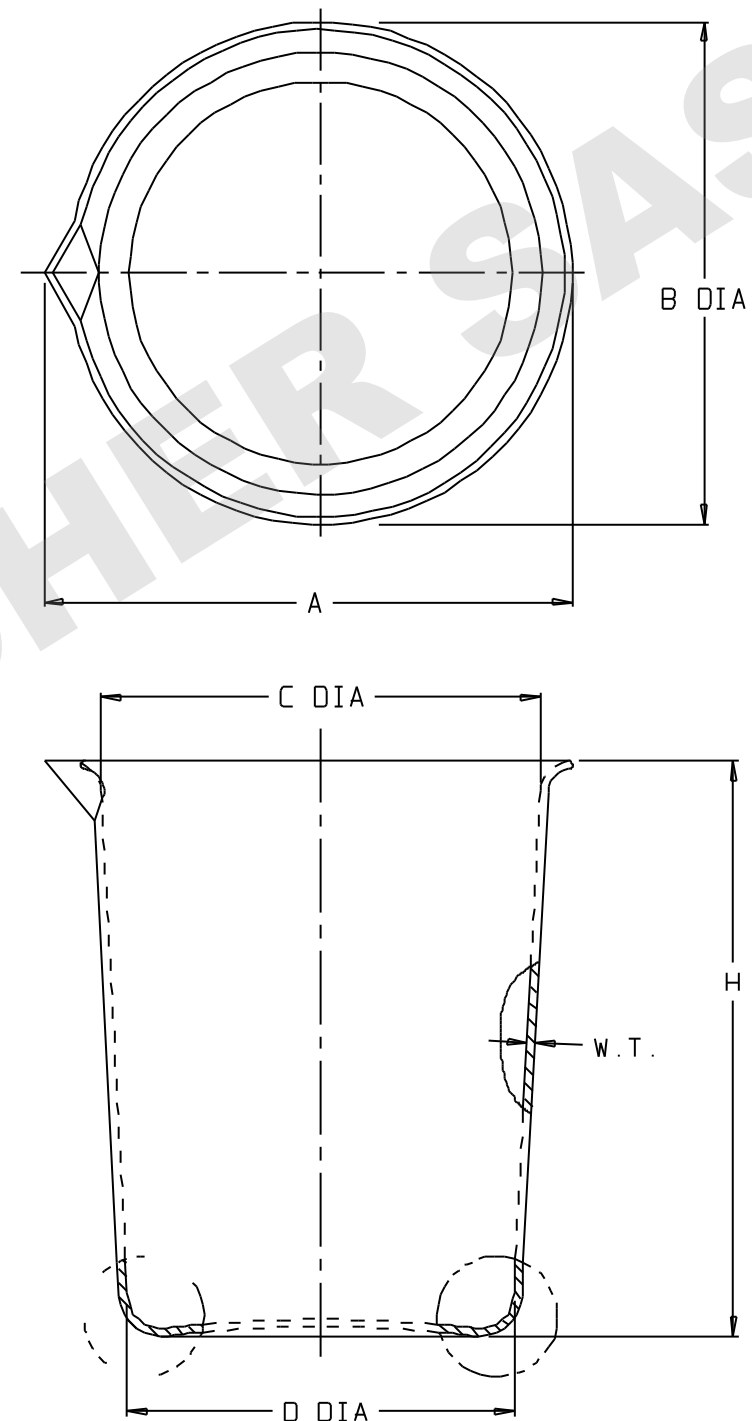
\*\* FOR OTHER 5 SIZES (400, 600, 1000, 2000, 4000mL), SEE PSS 00-1201-XXXX-2

SIZE CODE.....:	-0030		-0050		-0100	
NOM. CAP. (mL).....:	30		50		100	
NOM. BRIM CAP (mL)::	45		78		160	
NOM. WT. (gms).....:	7		11		19	
	INCH	MM	INCH	MM	INCH	MM
A (DIM. W/SPOUT)....:	1.70 ±0.02	43.2 ±0.5	2.01 ±0.03	51.1 ±0.8	2.48 ±0.03	63.0 ±0.8
B (O.D. AT LIP).....:	1.58 ±0.02	40.1 ±0.5	1.86 ±0.03	47.2 ±0.8	2.37 ±0.03	60.2 ±0.8
C (I.D. AT TOP).....:	1.50 ±0.02	38.1 ±0.5	1.78 ±0.03	45.2 ±0.8	2.25 ±0.03	57.2 ±0.8
D (I.D. AT BOTTOM)::	1.32 ±0.02	33.5 ±0.5	1.54 ±0.02	39.1 ±0.5	1.97 ±0.03	50.0 ±0.8
H (HEIGHT).....:	1.95 ±0.02	49.5 ±0.5	2.33 ±0.03	59.2 ±0.8	2.92 ±0.03	74.2 ±0.8
W.T. (NOM WALL THK)::	0.05	1.3	0.05	1.3	0.06	1.5

SIZE CODE.....:	-0150		-0250	
NOM. CAP. (mL).....:	150		250	
NOM. BRIM CAP (mL)::	230		360	
NOM. WT. (gms).....:	28		39	
	INCH	MM	INCH	MM
A (DIM. W/SPOUT)....:	2.84 ±0.03	72.1 ±0.8	3.29 ±0.03	83.6 ±0.8
B (O.D. AT LIP).....:	2.69 ±0.03	68.3 ±0.8	3.14 ±0.03	79.8 ±0.8
C (I.D. AT TOP).....:	2.56 ±0.03	65.0 ±0.8	3.02 ±0.03	76.7 ±0.8
D (I.D. AT BOTTOM)::	2.22 ±0.03	56.4 ±0.8	2.60 ±0.03	66.0 ±0.8
H (HEIGHT).....:	3.26 ±0.03	82.8 ±0.8	3.67 ±0.03	93.2 ±0.8
W.T. (NOM WALL THK)::	0.06	1.5	0.07	1.8

NOTES:

1. ALL DIMENSIONS ARE NOMINAL AND IN INCHES AND MILLIMETERS UNLESS OTHERWISE NOTED.
2. THIS IS NOT A PRODUCTION DRAWING, BUT IS FOR INFORMATIONAL PURPOSES ONLY, AND IS SUBJECT TO CHANGE WITHOUT NOTICE.



SPECS ON BACK

NOT TO SCALE

CONFIDENTIAL

THIS PRODUCT SPECIFICATION SHEET CONTAINS CONFIDENTIAL AND/OR PROPRIETARY INFORMATION AND IS TO BE USED ONLY FOR THE EXPRESSED PURPOSES AGREED UPON BY AN AUTHORIZED OFFICER OF THERMO FISHER SCIENTIFIC.

**ThermoFisher**  
SCIENTIFIC

Thermo Fisher Scientific  
75 Panorama Creek Drive  
Rochester, NY 14625-2385, USA

MADE	JGJ	APP'D	PVC	PSS 00-1201-XXXX-1	REV.	0595
CHK'D	PVC		5/3/95			

DESCRIPTION:  
GRIFFIN LOW-FORM BEAKERS

CATALOG NO.	** NOMINAL CAPACITY, (mL)					MATERIAL
001201	400	600	1000	2000	4000	PP

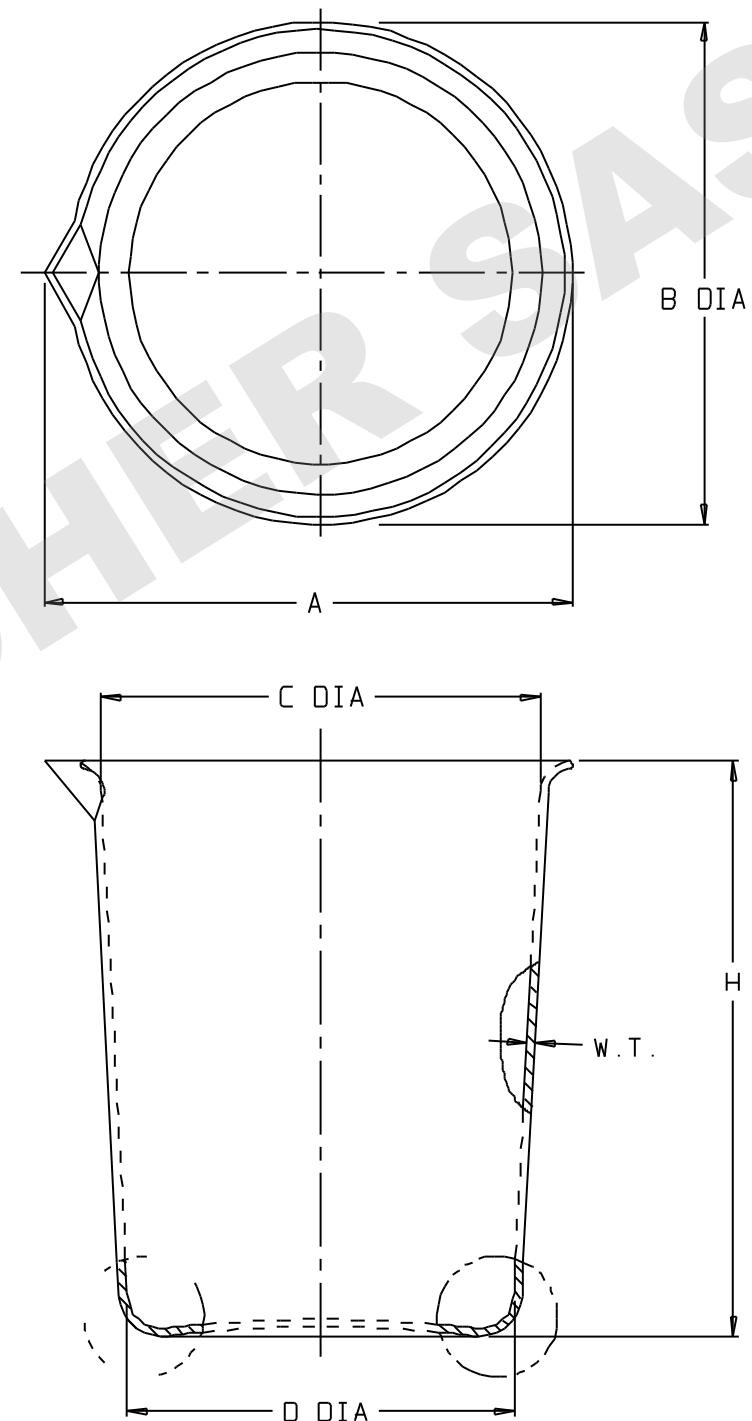
\*\* FOR OTHER 5 SIZES (30, 50, 100, 150, 250mL), SEE PSS 00-1201-XXXX-1

SIZE CODE.....:	-0400		-0600		-1000	
NOM. CAP. (mL).....:	400		600		1000	
NOM. BRIM CAP (mL)::	600		880		1480	
NOM. WT. (gms).....:	58		79		118	
	INCH	MM	INCH	MM	INCH	MM
A (DIM. W/SPOUT)....:	3.90 ±0.04	99.1 ±1.0	4.36 ±0.04	110.7 ±1.0	5.11 ±0.05	129.8 ±1.3
B (O.D. AT LIP).....:	3.66 ±0.04	93.0 ±1.0	4.14 ±0.04	105.2 ±1.0	4.93 ±0.05	125.2 ±1.3
C (I.D. AT TOP).....:	3.52 ±0.04	89.4 ±1.0	4.00 ±0.04	101.6 ±1.0	4.78 ±0.05	121.4 ±1.3
D (I.D. AT BOTTOM)::	3.03 ±0.04	77.0 ±1.0	3.43 ±0.04	87.1 ±1.0	4.05 ±0.04	102.9 ±1.0
H (HEIGHT).....:	4.45 ±0.04	113.0 ±1.0	5.07 ±0.05	128.8 ±1.3	5.99 ±0.05	152.1 ±1.3
W.T. (NOM WALL THK)::	0.07	1.8	0.08	2.0	0.08	2.0

SIZE CODE.....:	-2000		-4000	
NOM. CAP. (mL).....:	2000		4000	
NOM. BRIM CAP (mL)::	2890		5550	
NOM. WT. (gms).....:	200		310	
	INCH	MM	INCH	MM
A (DIM. W/SPOUT)....:	6.33 ±0.06	160.8 ±1.5	7.71 ±0.07	195.8 ±1.8
B (O.D. AT LIP).....:	6.27 ±0.06	159.3 ±1.5	7.67 ±0.07	194.8 ±1.8
C (I.D. AT TOP).....:	5.95 ±0.06	151.1 ±1.5	7.29 ±0.07	185.2 ±1.8
D (I.D. AT BOTTOM)::	5.04 ±0.05	128.0 ±1.3	6.00 ±0.06	152.4 ±1.5
H (HEIGHT).....:	7.57 ±0.07	192.3 ±1.8	9.85 ±0.08	250.2 ±2.0
W.T. (NOM WALL THK)::	0.09	2.3	0.09	2.3

NOTES:

1. ALL DIMENSIONS ARE NOMINAL AND IN INCHES AND MILLIMETERS UNLESS OTHERWISE NOTED.
2. THIS IS NOT A PRODUCTION DRAWING, BUT IS FOR INFORMATIONAL PURPOSES ONLY, AND IS SUBJECT TO CHANGE WITHOUT NOTICE.



SPECS ON BACK

NOT TO SCALE

CONFIDENTIAL

THIS PRODUCT SPECIFICATION SHEET CONTAINS CONFIDENTIAL AND/OR PROPRIETARY INFORMATION AND IS TO BE USED ONLY FOR THE EXPRESSED PURPOSES AGREED UPON BY AN AUTHORIZED OFFICER OF THERMO FISHER SCIENTIFIC.

**ThermoFisher**  
SCIENTIFIC

Thermo Fisher Scientific  
75 Ponorona Creek Drive  
Rochester, NY 14625-2385, USA

MADE	JGJ	APP'D	PSS 00-1201-XXXX-2	REV.	0595
CK'D					

DESCRIPTION:  
GRIFFIN LOW-FORM BEAKERS