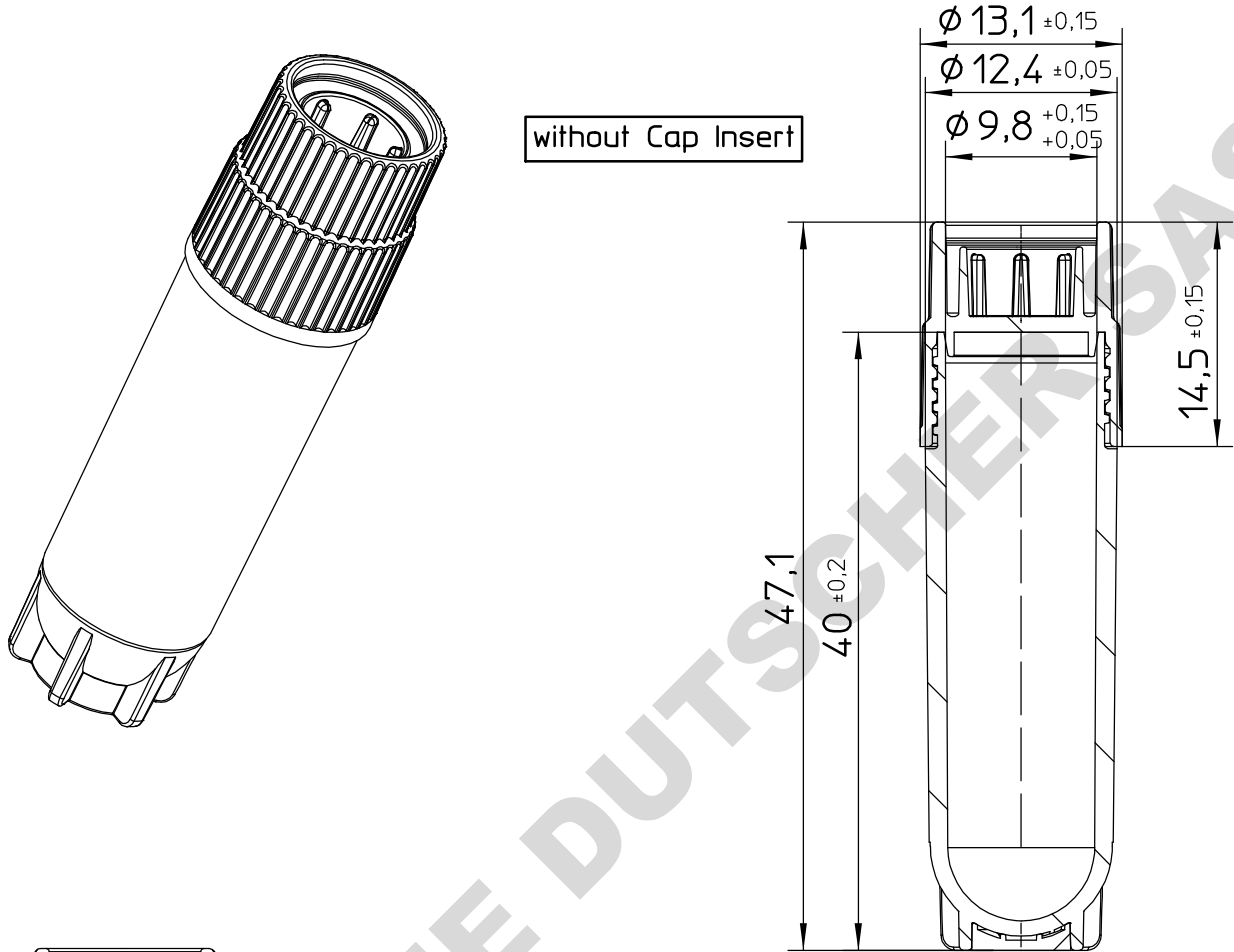
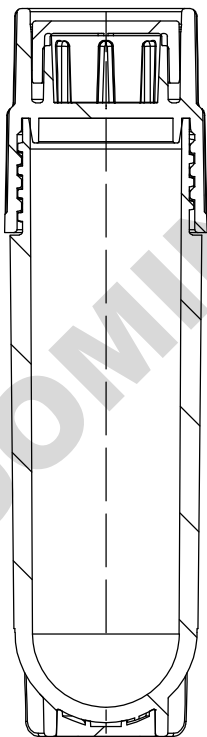


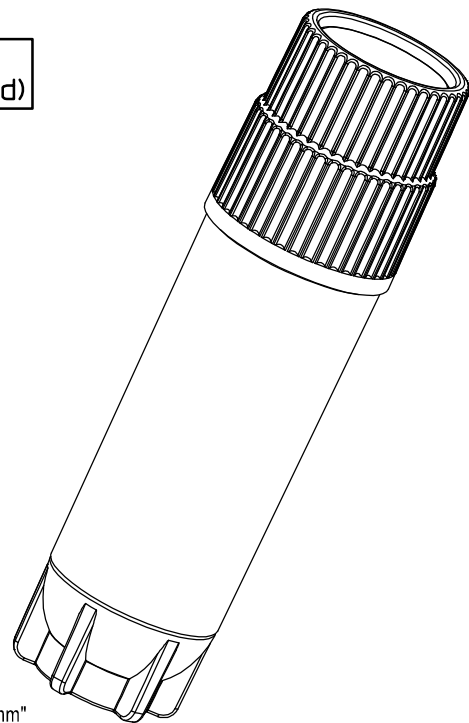
Valid for Item-No.: 126261, 126263, 126263-2DG, 126263-2D1, 126277, 126277-2DG, 126277-2D1, 126278, 126278-2DG, 126278-2D1, 126279, 126279-2DG, 126279-2D1, 126280, 126280-2DG, 126280-2D1



without Cap Insert



with Cap Insert
(Item No. 304134 inserted)



"All dimensions in mm"

Customer drawing subject to change without notice!

Uncontrolled Copy

Prior Issue	Drawn	Approved	Released	CONFIDENTIAL: Information contained in this document or drawing is confidential and proprietary to Greiner Bio-One GmbH. This document may not be reproduced for any reason without written permission from Greiner Bio-One GmbH. All rights of design, invention, and copyright are reserved.
Revision	Date	Date	Date	
7	2011/01/26	2021/02/25	2021/02/25	
Date	Name	Name	Name	
2020/09/09	forb	forb	sonntag	