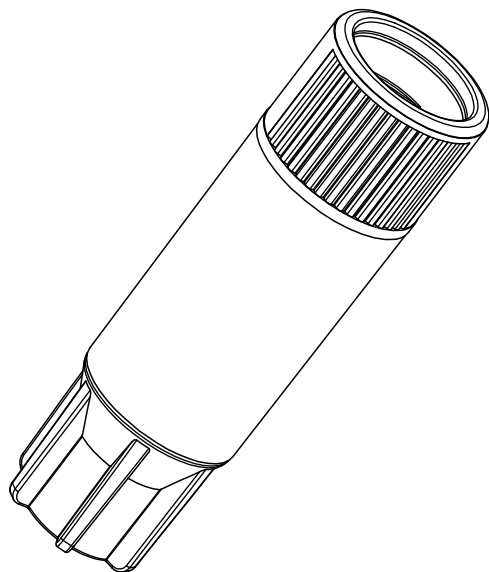
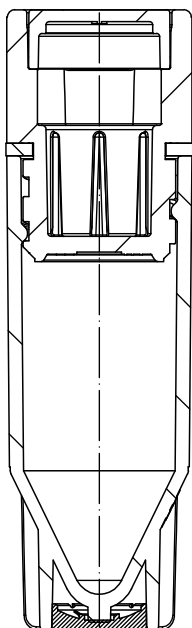
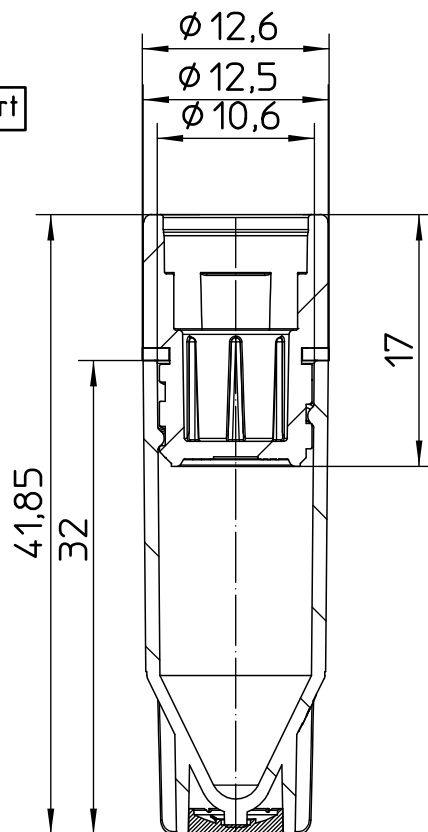


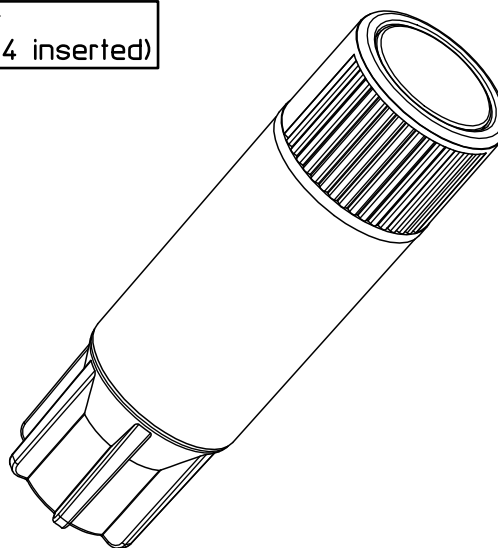
Valid for Item-No.: 123261, 123263, 123263-2DG, 123277, 123277-2DG, 123277-2D3, 123278, 123278-2DG, 123278-2D3, 123279, 123279-2DG, 123280, 123280-2DG, 123263-TRI, 123272-2D1



without Cap Insert



with Cap Insert
(Item No. 304134 inserted)



"All dimensions in mm"

Customer drawing subject to change without notice!

Uncontrolled Copy

Prior Issue	Drawn	Approved	Released	CONFIDENTIAL: Information contained in this document or drawing is confidential and proprietary to Greiner Bio-One GmbH. This document may not be reproduced for any reason without written permission from Greiner Bio-One GmbH. All rights of design, invention, and copyright are reserved.
Revision	Date 2011/01/26	Date 2020/09/21	Date 2020/09/21	
Date	Name forb	Name forb	Name sonntag	