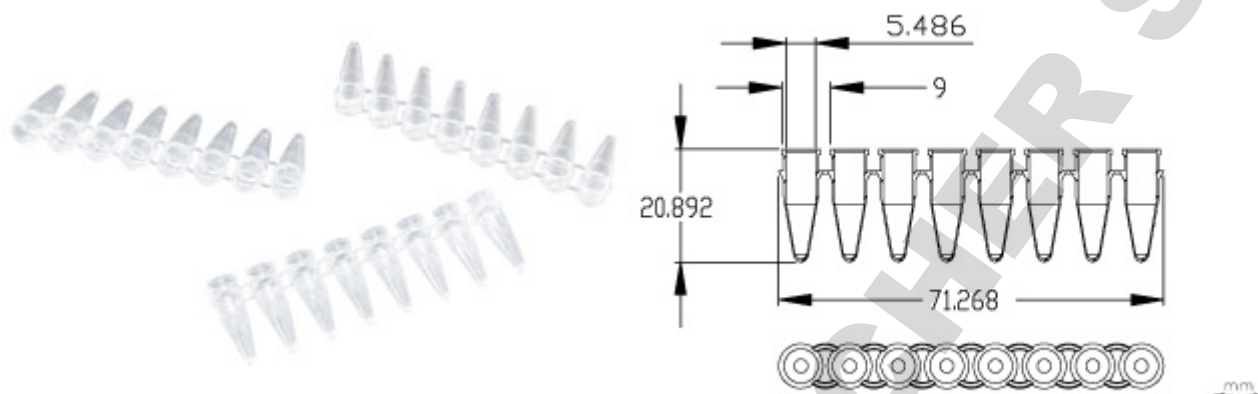


0.2 ml PCR ultraStrips - Catalog #16410



**Catalog #**

**Description**

16410

Green, Polypropylene, Cap Color: None, Cap Type: Domed

**Packaging Details**

Non-Sterile, Bagged, 250 Tube & Cap Strips/Bag, 1 Bag/Case

**Attributes**

Certified RNase/DNase Free  
 Certified PCR Inhibitor Free  
 Certified Human DNA Free  
 Certified Pyrogen Free

**Grad Lines:** None

DOMINIQUE DUTSCHER SAS