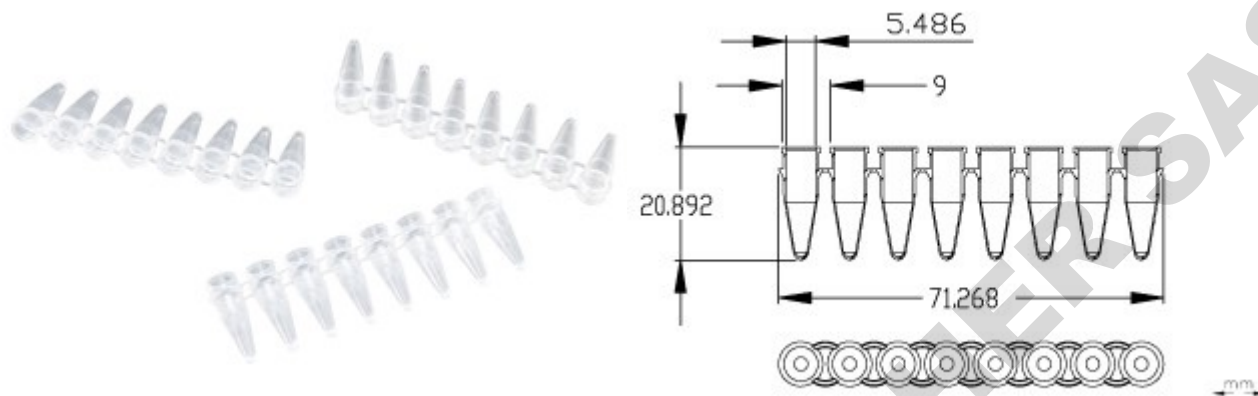




0.2 ml PCR ultraStrips - Catalog #16380



Catalog

Description

16380

Natural, Polypropylene, Cap Color: None, Cap Type: Domed

Packaging Details

Non-Sterile, Bagged, 250 Tube & Cap Strips/Bag, 1 Bag/Case

Attributes

Certified RNase/DNase Free
 Certified PCR Inhibitor Free
 Certified Human DNA Free
 Certified Pyrogen Free

Grad Lines: None