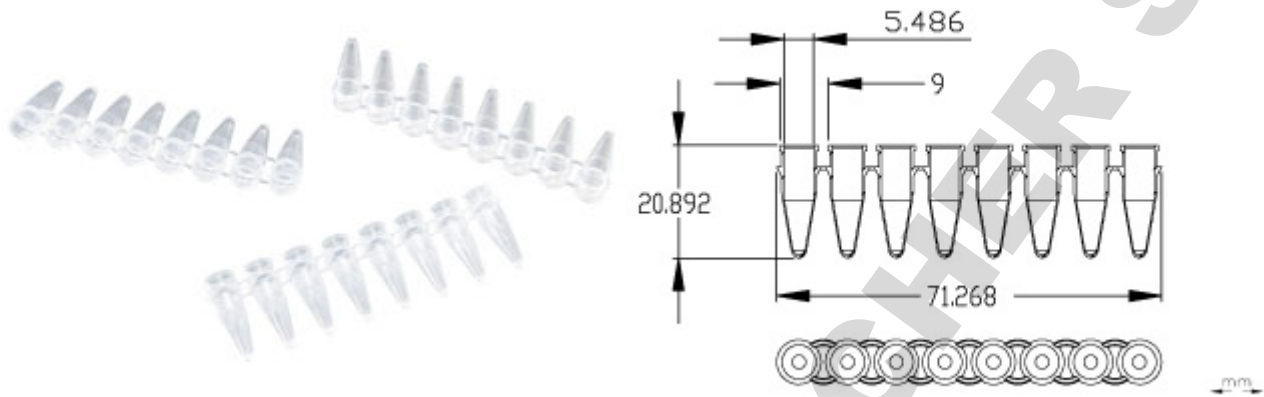


0.2 ml PCR ultraStrips - Catalog #16280



Catalog #

Description

16280

Natural, Polypropylene, Sterile, Cap Color: None, Cap Type: Domed

Packaging Details

Sterile, Bagged, 24 Tubes & Cap Strips/Bag, 5 Bags/Case

Attributes

Certified RNase/DNase Free
 Certified PCR Inhibitor Free
 Certified Human DNA Free
 Certified Pyrogen Free

Grad Lines: None

DOMINIQUE DUTSCHER SAS