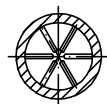
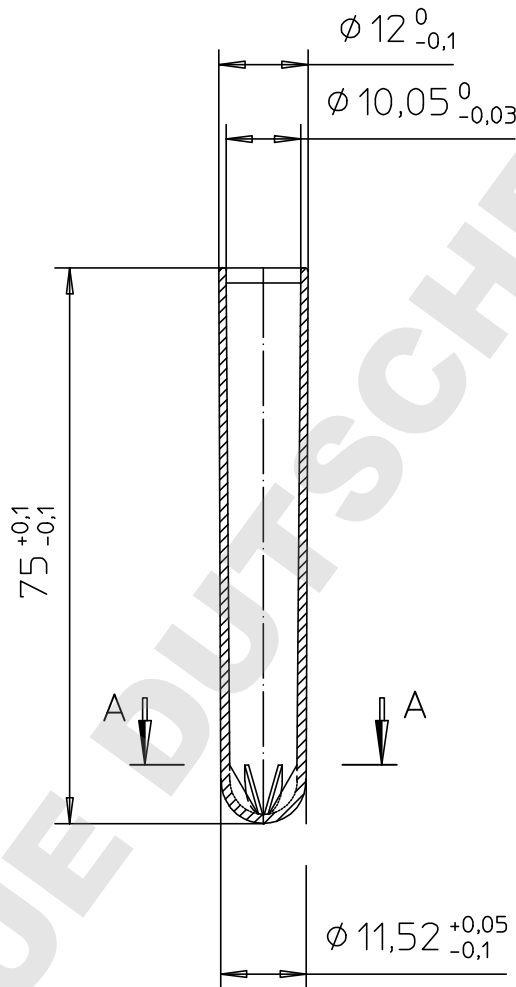


Valid for Item-No.: 115070, 115071



A - A

"All dimensions in mm"

Customer drawing subject to change without notice!

Uncontrolled Copy

Prior Issue	Drawn	Approved	Released	CONFIDENTIAL: Information contained in this document or drawing is confidential and proprietary to Greiner Bio-One GmbH. This document may not be reproduced for any reason without written permission from Greiner Bio-One GmbH. All rights of design, invention, and copyright are reserved.
Revision	Date	Date	Date	
2	1997/01/09	2015/05/29	2015/05/29	
Date	Name	Name	Name	
1998/01/13	opferm2	schwarzj	sonntag	