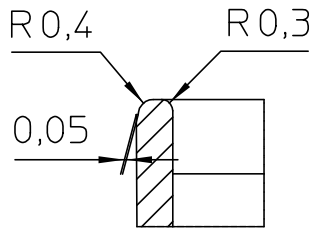
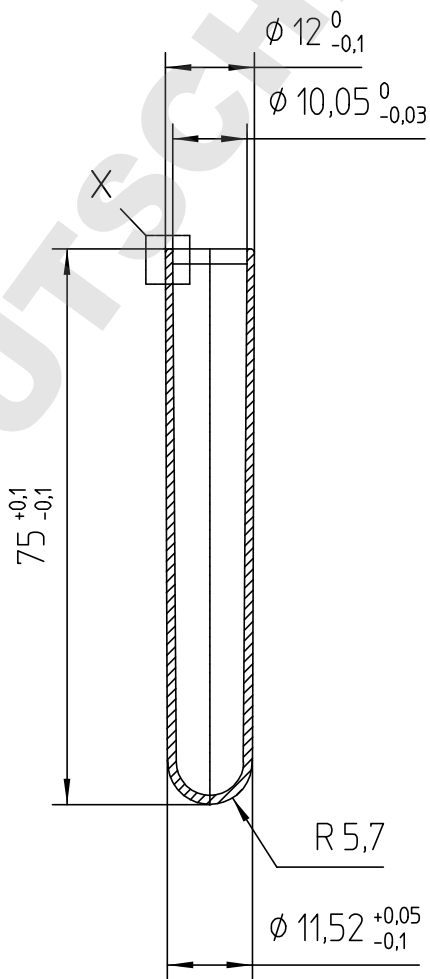


Valid for Item-No.: 115001, 115061, 115101



X 5 : 1



"All dimensions in mm"

Customer drawing subject to change without notice!

Uncontrolled Copy

Prior Issue	Drawn	Approved	Released	CONFIDENTIAL: Information contained in this document or drawing is confidential and proprietary to Greiner Bio-One GmbH. This document may not be reproduced for any reason without written permission from Greiner Bio-One GmbH. All rights of design, invention, and copyright are reserved.
Revision 4	Date 1997/01/08	Date 2015/05/29	Date 2015/05/29	
Date 1998/10/21	Name opferm2	Name schwarzj	Name sonntag	