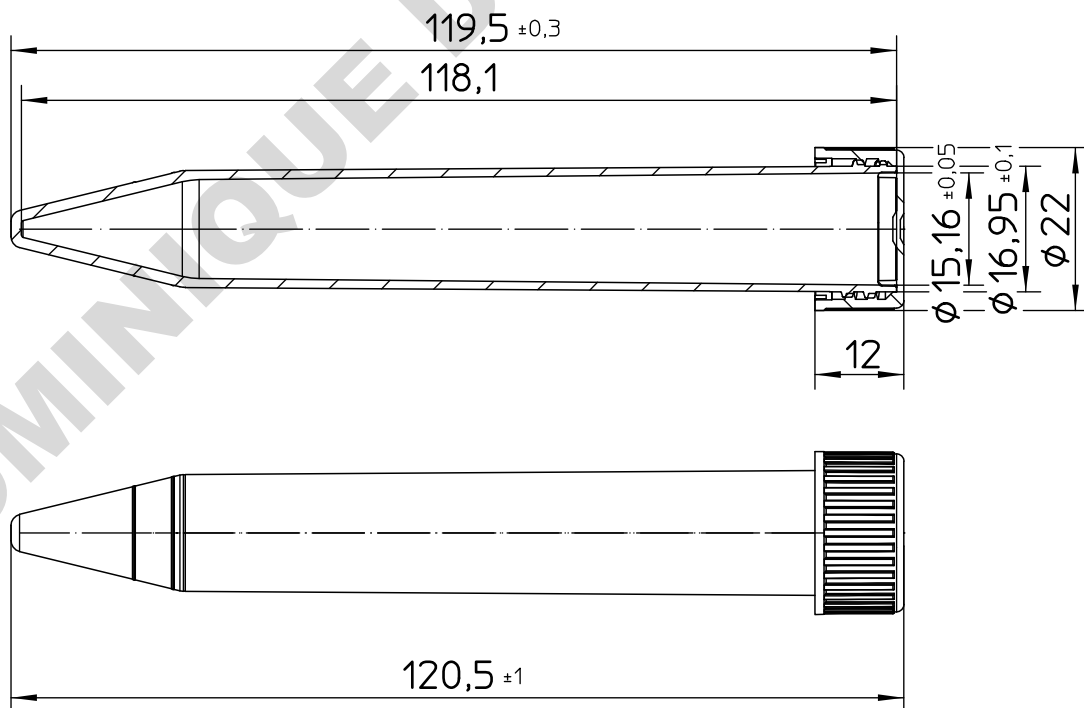
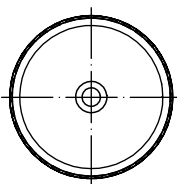


Valid for Item-No.: 188261, 188271, 188271-TRI



"All dimensions in mm"

Customer drawing subject to change without notice!

Uncontrolled Copy

| Prior Issue | Drawn | Approved | Released | CONFIDENTIAL: Information contained in this document or drawing is confidential and proprietary to Greiner Bio-One GmbH. This document may not be reproduced for any reason without written permission from Greiner Bio-One GmbH. All rights of design, invention, and copyright are reserved. |
|--------------------|--------------------|--------------------|--------------------|--|
| Revision 8 | Date 2011/03/02 | Date 2025/04/10 | Date 2025/04/10 | |
| Date 2025/02/04 | Name forb | Name kleber | Name ziegler | |