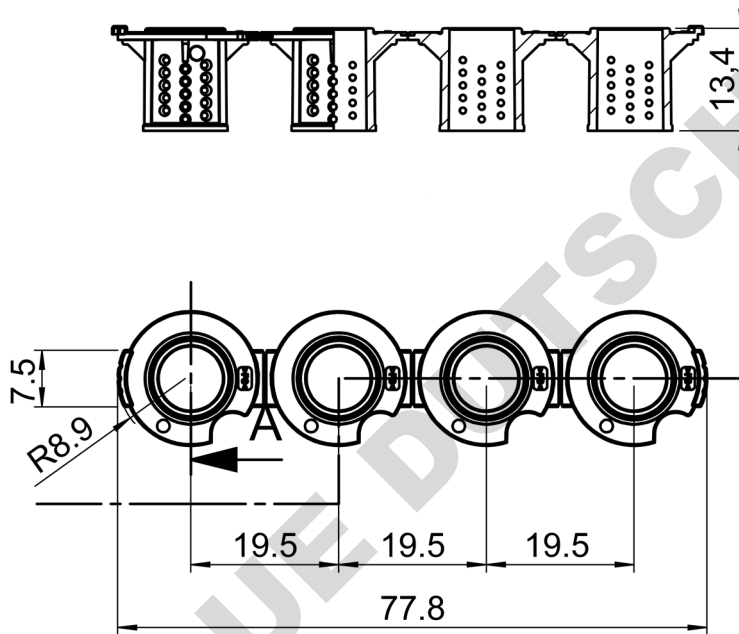


Insert Strip, height 13 mm, IOS for BRANDplates® 24-well and 24/6-well plate 782861

Dimensions in mm

Volume	50 - 400 μ l
Material	Polystyrene, medical grade
Quality	BIO-CERT® CELL CULTURE QUALITY



Membrane properties

Material	Polycarbonate
Thickness	18 μ m
Pore size	8.0 μ m
Pore density	1×10^5 /cm ²
Culture area	ca. 0.6 cm ²
Surface treatment	cellGrade™ plus

Subject to technical modification without notice. Errors excepted.