

TECHNICAL DATASHEET

PART NUMBER:

131048C

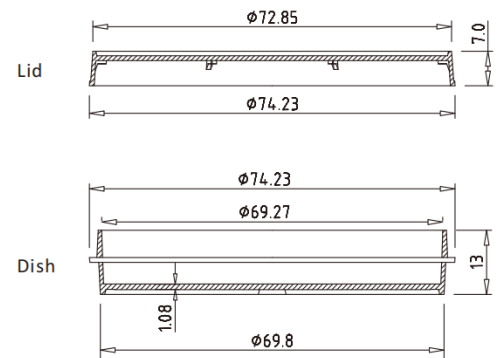


ClearLine® Tissue Culture Dish

Description : Tissue Culture treated polystyrene sterile Petri dish

Features :

- ✓ Tissue culture treated (adherent)
- ✓ Ultra-flat bottom and uniform thickness across
- ✓ Culture surface is smooth and unstriated
- ✓ 4 venting slots ensure optimal gaseous exchange
- ✓ Packaged in zip resealable self-standing plastic bags
- ✓ Lot n° on each bag, certificates are available on demand
- ✓ **Sterilised by gamma irradiation**
- ✓ **Certified RNase, DNase-free and endotoxins are < 0,5 EU /ml**



Cat No	Petri dish type	Diameter* (mm)	Dimensions** (h x Ø mm)	Cell-growth area (cm ²)	Units /bag	Units /box
131048C	70 mm	69.27	20 X 74.23	21,2	10	600

* inner diameter ; ** with closed lid