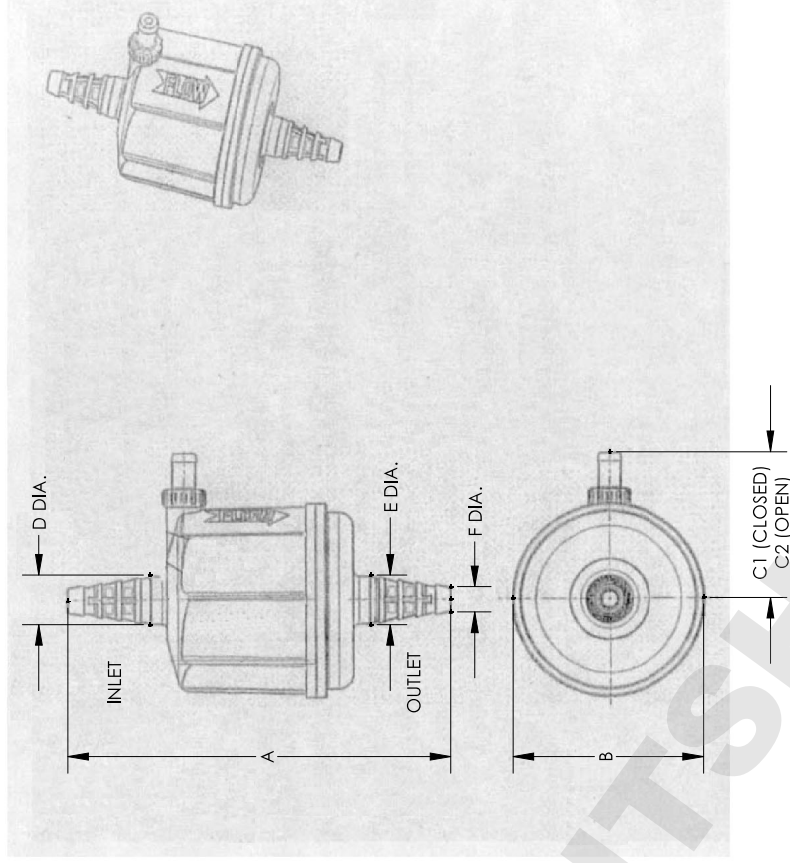


CATALOG NUMBER	223-0030	
MATERIALS	MEMBRANE	PIFPE
	HOUSING	PP
MEMBRANE SIZE (mm)	0.2µm, 300cm ²	
	INCH	MM
A (O.A.H.).....	4.13	104.9
B (DIA.).....	2.09	53.1
C1 (CLOSED).....	1.59	40.4
C2 (OPEN).....	1.61	40.9
D (DIA.).....	0.50	12.7
E (DIA.).....	0.50	12.7
F (DIA.).....	0.25	6.4

1. ALL DIMENSIONS ARE NOMINAL AND IN INCHES AND MILLIMETERS UNLESS OTHERWISE NOTED.
2. THIS IS NOT A PRODUCTION DRAWING, BUT IS FOR INFORMATIONAL PURPOSES ONLY, AND IS SUBJECT TO CHANGE WITHOUT NOTICE.



SPECS ON BACK

NOT TO SCALE

ThermoFisher
S C I E N T I F I C

Thermo Fisher Scientific
75 Pancratia Creek Drive
Rochester, NY 14625-2385, USA

NAME PB
DATE 9/13/11
REV 1

PSS 233-0030

VENT FILTER

CONFIDENTIAL

THIS PRODUCT SPECIFICATION SHEET CONTAINS CONFIDENTIAL AND/OR PROPRIETARY INFORMATION AND IS TO BE USED ONLY FOR THE EXPRESSED PURPOSES AGREED UPON BY AN AUTHORIZED OFFICER OF THERMO FISHER SCIENTIFIC.