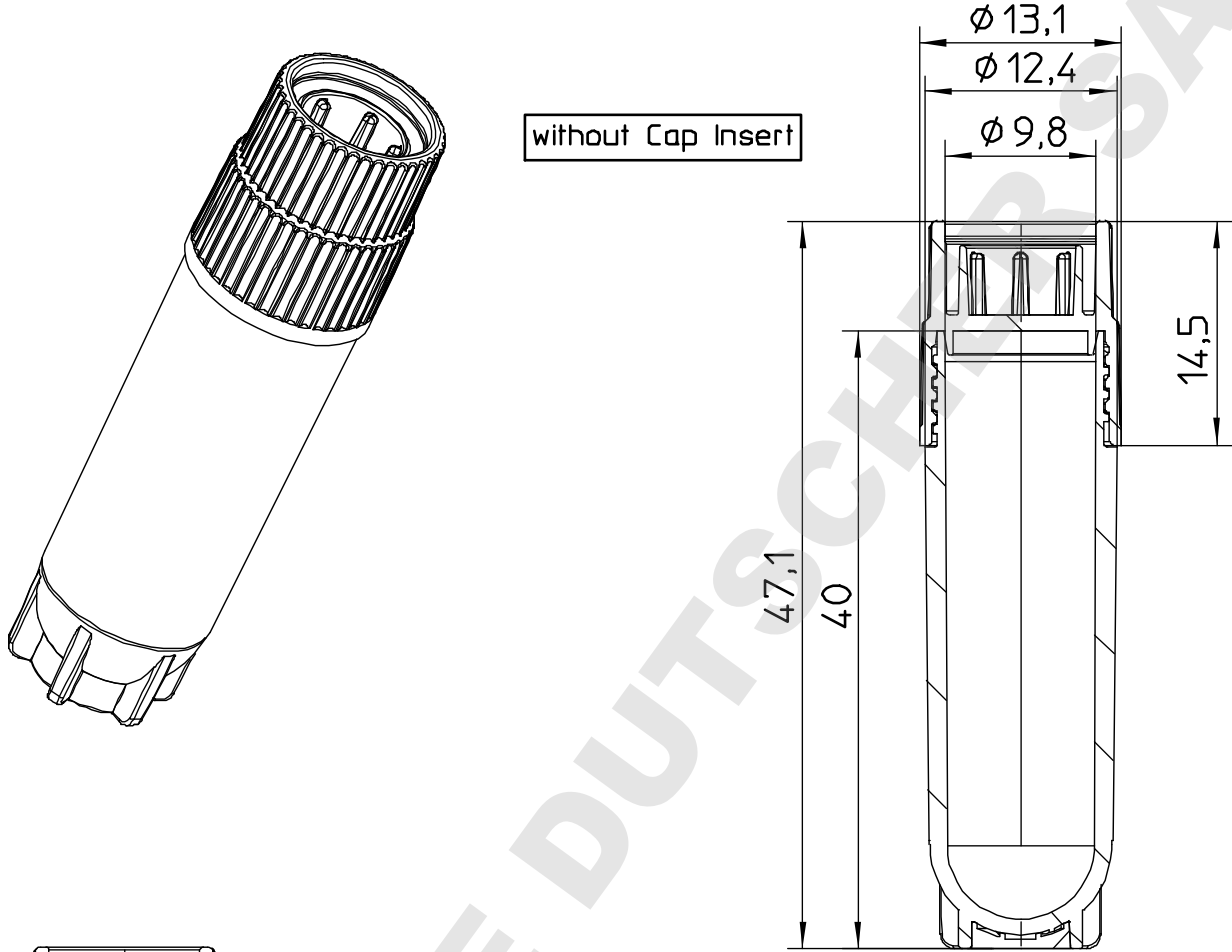
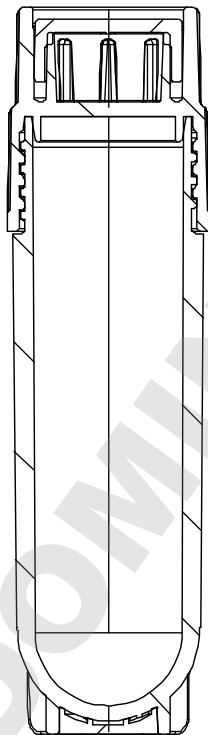


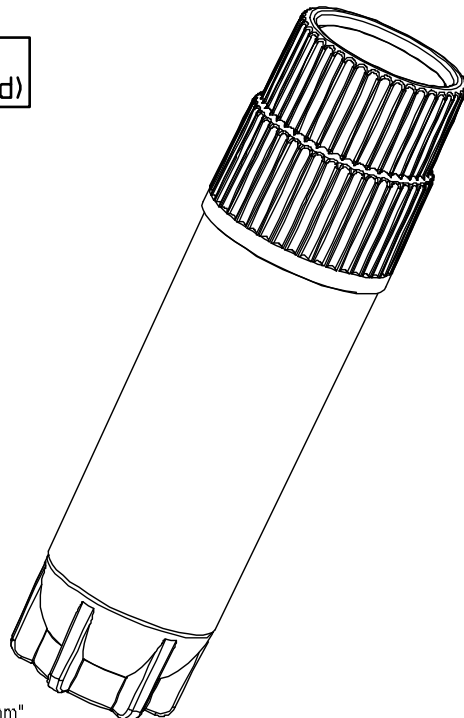
Valid for Item-No.: 126261, 126263, 126263-2DG, 126263-2D1, 126277, 126277-2DG, 126277-2D1, 126278, 126278-2DG, 126278-2D1, 126279, 126279-2DG, 126279-2D1, 126280, 126280-2DG, 126280-2D1



without Cap Insert



with Cap Insert  
(Item No. 304134 inserted)



"All dimensions in mm"

Customer drawing subject to change without notice!

Uncontrolled Copy

Prior Issue	Drawn	Approved	Released	CONFIDENTIAL: Information contained in this document or drawing is confidential and property to Greiner Bio-One GmbH. This document may not be reproduced for any reason without written permission from Greiner Bio-One GmbH. All rights of design, invention, and copyright are reserved.
Revision	Date 2011/01/26	Date 2020/09/09	Date 2020/09/09	
Date	Name forb	Name forb	Name sonntag	