

6 Liter Water Bath

User Manual



W1106A
W1106A-230

CE

Labnet
Labnet International

DOMINIQUE DUTSCHER SAS

1. Specifications

The Labnet 6 Liter Water Bath is a general purpose 6-liter water bath capable of heating liquids and accurately maintaining temperatures up to 100C.

Temperature range:	Ambient to 100C
Controls:	Analog – hydraulic
Chamber size w x d x h:	13 x 6.7 x 6.9 in/32 x 17 x 17.5 cm
Capacity:	6 liters
Unit size w x d x h:	14 x 11 x 13 in/36 x 27.5 x 32 cm
Unit weight:	17 lbs/7.7 kg
Accessories included:	Stainless gabled lid, thermometer clip
Electrical:	115V, 50/60Hz, 4.8 amps 230V, 50/60Hz, 2.4 amps

Inspect the unit and accessories thoroughly upon receipt. If any item is damaged, contact the carrier immediately. The carrier is responsible for shipping damage. Also verify that all accessories are included and that the unit is in working order before discarding any shipping packaging.

Your satisfaction and safety require a complete understanding of this unit. Read the instructions thoroughly and be sure all operators are given adequate training before attempting to put the unit in use.

This equipment must be used only for its intended application; any alterations or modifications will void your warranty and may cause injury.

2. Installation

Local city, county, or other ordinances may govern the use of this equipment. If you have any questions about local requirements, please contact the appropriate local agency. Installation may be performed by the end user.

2.1 Power Source

Check the data plate for voltage, cycle, wattage and ampere requirements. If matched to your power source, plug the power cord into a grounded outlet. Voltage should not vary more than 10% from the data plate rating.

2.2 Location

In selecting a location, consider all conditions which might effect performance, such as heat from radiators, autoclaves, etc. Avoid direct sun, fast-moving air currents, heating/cooling ducts and high traffic areas. Allow a minimum of 5cm between the unit and walls or partitions which might obstruct free airflow.

2.3 Lifting/Handling

This unit when full may be heavy for some people and care should be taken to use appropriate lifting devices that are sufficiently rated for these loads. Units should only be lifted from their bottom surfaces. Handles and knobs are not adequate for lifting or stabilization. The unit should be completely restrained from tipping during lifting or transport. All parts such as covers, thermometer and line cord should be removed during transfer to prevent shifting and damage.

2.4 Cleaning Before First Use (Refer to Section 5)

This unit was cleaned at the factory, but not sterilized. It is recommended that you clean the bath with a disinfectant that is suitable for your application.

DO NOT USE chlorine-based bleaches or abrasives as this can discolor the stainless steel tank.

DO NOT USE spray cleaners that might leak through openings and cracks and get on electrical parts or that may contain solvents that will harm the coatings.

3. Controls Overview

3.1 Power Switch (Front Panel)

The main power switch is on the front panel and controls all power to the unit. The switch will light when the unit is energized.

3.2 Temperature Controller (Front Panel)

This control knob is marked TEMPERATURE. It controls the water bath operating temperature on a scale of 1 to 10.

3.3 Heating Lamp (Front Panel)

This light is ON when unit is heating. When the unit has reached the set point temperature the light will be on only when the unit is calling for heat to maintain temperature.

4. Operation

WARNING: This bath is not intended for use as an acid bath. Use as an acid bath will cause severe damage to bath components. Do not use deionized water, tap water or chemicals. **USE DISTILLED WATER ONLY.** If



tank boils dry while containing plasticware, the plastic will melt. If you intend to use test tube racks, remember that wire racks or plastic coated racks may wear and expose metal which can cause damage. Preferably, only use all plastic racks.

4.1 Place the unit on a level surface and plug the unit into a properly grounded electrical outlet of appropriate voltage.

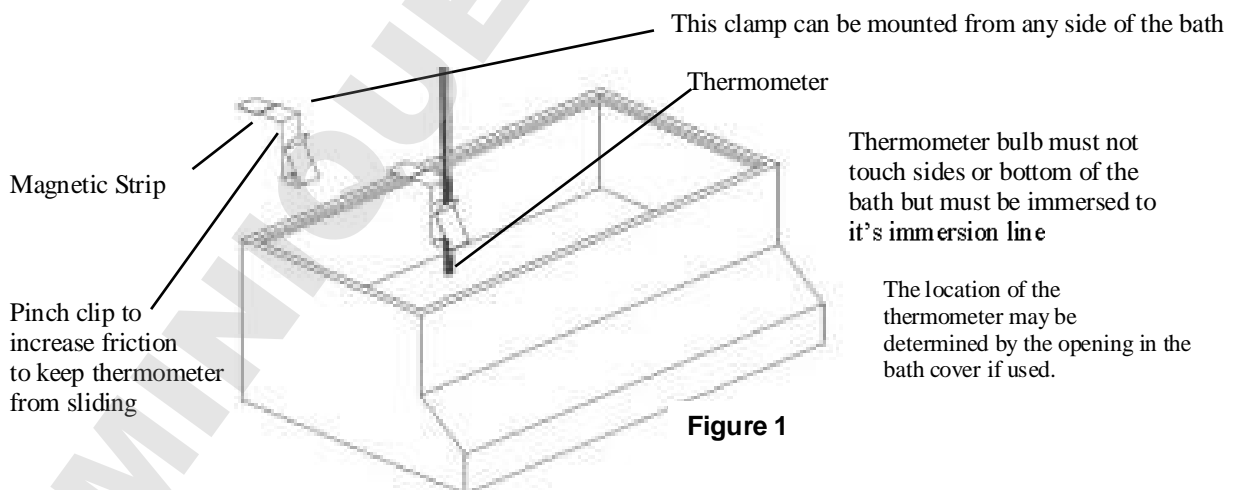
4.2 Fill the bath to your required depth with DISTILLED WATER ONLY. DO NOT USE tap water. DO NOT USE deionized water. Note that normal depth is two-thirds full, but depth **must** be at least two inches

4.3 Place user supplied thermometer in desired position. (A clip is provided for holding the thermometer).

See **Figure 1**

4.5 Push the power switch to the ON position. The switch will light.

4.6 Set Temperature Controller to 10. When the thermometer reaches the desired operating temperature turn the control down until the heating light turns off. Wait for the temperature to stabilize and adjust controller as necessary until desired operating temperature is obtained.



NOTE: The heating element of this bath does not contact the tank bottom, thus will not burn out if the tank is allowed to run dry. However, a tank going dry may strain interior surfaces so this should not be allowed to occur.

5. Cleaning and Maintenance



Prior to any cleaning or servicing on this unit, disconnect power cord from the unit.

5.1 Cleaning

Heavy water bath use causes soiling. Clean the bath with mild soap and water solution, rinse with clean water and wipe dry with soft cloth. Stainless steel does not rust, but foreign materials in the tank may rust or leave rust spots. If corrosion is seen, scrub out the stains with a mild abrasive, never steel wool. Failure to do this can damage the stainless steel components.



WARNING: Never clean the unit with alcohol or flammable cleaners with the unit connected to the wall outlet. Always disconnect the unit before cleaning and assure that all volatile or flammable cleaners are evaporated and dry before plugging unit back in.

6. Troubleshooting and Service

If the unit fails to operate, check that the unit is plugged into a working outlet. Check that the unit is switched on and that the temperature controller is turned up. Finally, check the fuses.

Should you have a question about the operation of the *6 Liter Water Bath* or if service is required, contact **Corning at: 800-492-1110**. Do not send in a unit for service without first calling to obtain a repair authorization number. Should the unit require return to Corning for service, it should be properly packed to avoid damage. Any damage resulting from improper packaging shall be the responsibility of the user.

EQUIPMENT DISPOSAL-EUROPEAN REGULATIONS



According to Directive 2012/19/EU of the European Parliament and of the Council of 4 July 2012 on waste electrical and electronic equipment (WEEE), 6 Liter Water Bath is marked with the crossed-out wheeled bin and must not be disposed of with domestic waste.

Consequently, the buyer shall follow the instructions for reuse and recycling of waste electronic and electrical equipment (WEEE) provided with the products and available at the following link:
www.corning.com/weee

Warranty Statement

Corning Incorporated (Corning) warrants that this product will be free from defects in material and workmanship for a period of one (1) year from date of purchase. CORNING DISCLAIMS ALL OTHER WARRANTIES WHETHER EXPRESSED OR IMPLIED, INCLUDING ANY IMPLIED WARRANTIES OF MERCHANTABILITY OR OF FITNESS FOR A PARTICULAR PURPOSE. Corning's sole obligation shall be to repair or replace, at its option, any product or part thereof that proves defective in material or workmanship within the warranty period, provided the purchaser notifies Corning of any such defect. Corning is not liable for any incidental or consequential damages, commercial loss or any other damages from the use of this product.

This warranty is valid only if the product is used for its intended purpose and within the guidelines specified in the supplied instruction manual. This warranty does not cover damage caused by accident, neglect, misuse, improper service, natural forces or other causes not arising from defects in original material or workmanship. This warranty does not cover motor brushes, fuses, light bulbs, batteries or damage to paint or finish. Claims for transit damage should be filed with the transportation carrier.

In the event this product fails within the specified period of time because of a defect in material or workmanship, contact Corning's Customer Service at the following numbers: USA: 1-800-492-1110; Canada: 1-978-442-2200. For other regions of the world, please visit www.corning.com/lifesciences or see the included instruction manual for a list of World Wide Support Offices.

Corning's Customer Service team will help arrange local service where available or coordinate a return authorization number and shipping instructions. Products received without proper authorization will be returned. All items returned for service should be sent postage prepaid in the original packaging or other suitable carton, padded to avoid damage. Corning will not be responsible for damage incurred by improper packaging. Corning may elect for onsite service for larger equipment.

Some states do not allow limitation on the length of implied warranties or the exclusion or limitation of incidental or consequential damages. This warranty gives you specific legal rights. You may have other rights which vary from state to state.

No individual may accept for, or on behalf of Corning, any other obligation of liability, or extend the period of this warranty.

For your reference, make a note of the serial number, date of purchase and supplier here.

Serial No. _____ Date Purchased _____

Supplier _____

Warranty/Disclaimer: Unless otherwise specified, all products are for research use only. Not intended for use in diagnostic or therapeutic procedures. Corning makes no claims regarding the performance of these products for clinical or diagnostic applications.

**Please register your product online at:
www.labnetinternational.com**

DOMINIQUE DUTSCHER SAS



labnetinfo@corning.com
www.labnetinternational.com

LN130000