



**Scout™ Series Balances - SKX**  
Instruction Manual

**Balanzas Scout™ - SKX Series**  
Manual de Instrucciones

**Balances Scout™ Série - SKX**  
Mode d'emploi

**Bilance Serie Scout™ - SKX**  
Manuale d'Istruzioni

**Scout™ Waagen-Serien – SKX**  
Bedienungsanleitung



**DOMINIQUE DUTSCHER SAS**

# 1. INTRODUCTION

This manual contains installation, operation and maintenance instructions for the Scout SKX Series Balances. Please read the manual completely before using the balance.

## 1.1 Definition of Signal Warnings and Symbols

Safety notes are marked with signal words and warning symbols. These show safety issues and warnings. Ignoring the safety notes may lead to personal injury, damage to the instrument, malfunctions and false results.

### Signal Words

<b>WARNING</b>	For a hazardous situation with medium risk, possibly resulting in injuries or death if not avoided.
<b>CAUTION</b>	For a hazardous situation with low risk, resulting in damage to the device or the property or in loss of data, or injuries if not avoided.
<b>Attention Note</b>	For important information about the product. For useful information about the product.

### Warning Symbols



General Hazard



Electric Shock Hazard

## 1.2 Safety Precautions



**CAUTION:** Read all safety warnings before installing, making connections, or servicing this equipment. Failure to comply with these warnings could result in personal injury and/or property damage. Retain all instructions for future reference.

- Verify that the local AC power supply is within the input voltage range printed on the AC adapter's data label.
- Only connect the AC adapter to a compatible grounded electrical outlet.
- Do not position the scale such that it is difficult to disconnect the AC adapter from the power receptacle.
- Make sure that the power cord does not pose a potential obstacle or tripping hazard.
- This equipment is intended for indoor use and should only be operated in dry locations.
- Operate the equipment only under ambient conditions specified in the user instructions.
- Do not operate the equipment in hazardous or unstable environments.
- Do not drop loads on the pan.
- Only use approved accessories and peripherals.
- Disconnect power from the equipment before cleaning or servicing.
- Service should only be performed by authorized personnel.

# 2. INSTALLATION

## 2.1 Installing Components

Refer to the illustrations and instructions below to identify and assemble your Scout balance with its components. All components must be assembled before using the balance.

### 2.1.1 Releasing the Shipping Lock

Release the red Transportation Lock on the sub-platform of the balance by turning the red pointer 90° counter-clockwise.

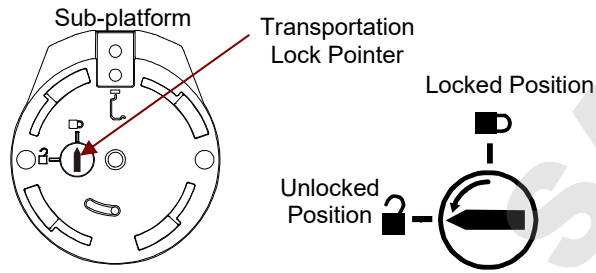


Figure 2-1. Transportation Lock

### 2.1.2 Installing the Weighing Pan

Balances with a rectangular pan are placed into the sub-platform as shown and rotated counter-clockwise until it locks. Round pans are placed straight down on sub-platform.

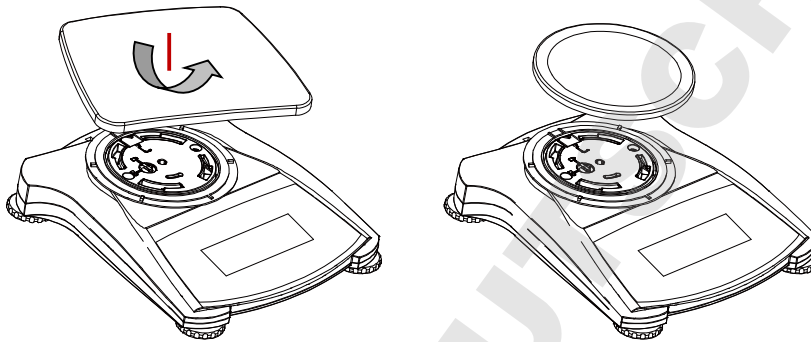


Figure 2-2. Pan Installation

### 2.2.3 Security Slot

A security slot is provided at the rear of the balance allowing the balance to be secured by an optional cable and lock accessory.

## 2.3 Selecting the Location

For best performance, the Scout SKX balance should be used in a clean, stable environment. Do not use the balance in environments with excessive drafts, with rapid temperature changes, near magnetic fields or near equipment that generates magnetic fields, or vibrations.

## 2.4 Connecting Power

### AC Adapter Installation

AC power is used to power the scale when battery power is not needed. First, connect the AC Adapter (supplied) to the AC Adapter Input receptacle at the rear of the balance then connect the AC plug to an electrical outlet.

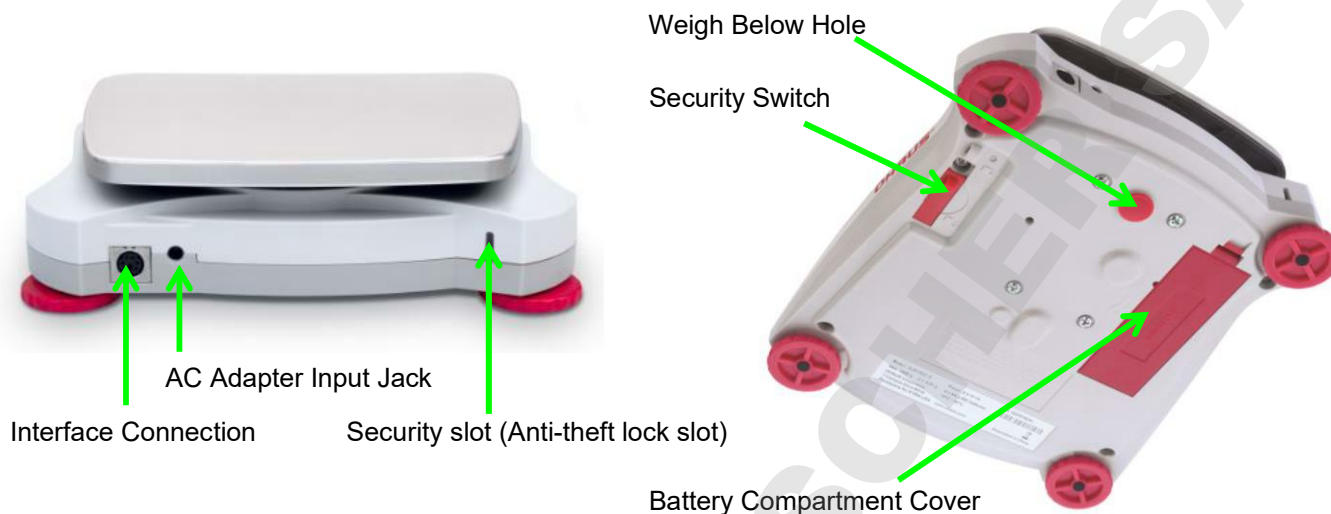


Figure 2-3. Rear and bottom view of balance

### Battery Installation

Install the four “AA” batteries with polarity as shown in the battery compartment.

#### Note:

After power on, it is recommended to let the balance warm up for at least 5 minutes before using it.

## 2.5 Initial Calibration

When the Balance is first installed, and when it is moved to another location, it must be calibrated to ensure accurate weighing results. The balance can be manually calibrated with external masses. Have the appropriate calibration masses available before beginning calibration. Refer to the Calibration Section for masses and calibration procedure.

## 3. OPERATION

### 3.1 Controls

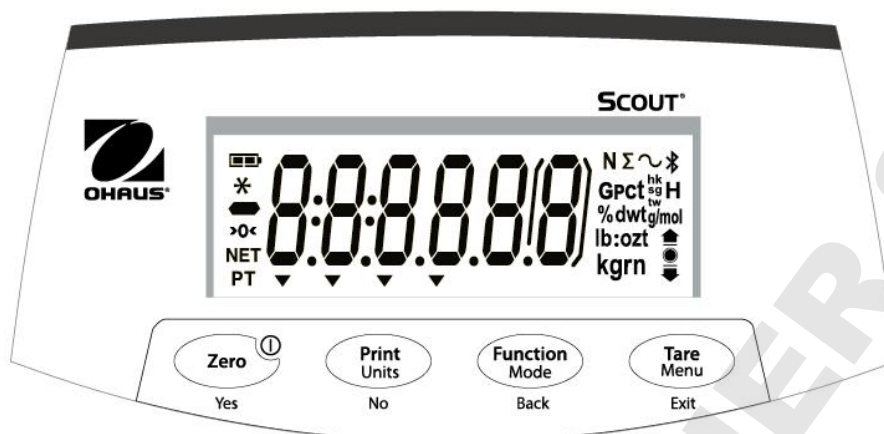


Figure 3-1. Scout Control Panel

TABLE 3-1. Button Functions

Button	Zero <sup>①</sup> Yes	Print Units No	Function Mode Back	Tare Menu Exit
Primary Function (Short Press)	<b>Zero/On</b> Turns the balance on  If balance is On, sets Zero	<b>Print</b> Sends the current value to the selected COM ports if AUTOPRINT is set to Off.	<b>Function</b> Initiates an application mode.	<b>Tare</b> Enter/clear a tare value.
Secondary Function (Long Press)	<b>Zero/Off</b> Turns the balance Off.	<b>Units</b> Changes the weighing unit.	<b>Mode</b> Allows changing the application mode.	<b>Menu</b> Enter the User menu.
Menu Function (Short Press)	<b>Yes</b> Accepts the current setting on the display.	<b>No</b> Advances to the next menu or menu item.  Rejects the current setting on the display and advances to the next available setting.	<b>Back</b> Moves Back to previous menu item.	<b>Exit</b> Exits the User menu.  Aborts the calibration in progress.

**Notes:** <sup>1</sup> Short Press: Press less than 1 second.

<sup>2</sup> Long Press: Press and hold for more than 2 seconds

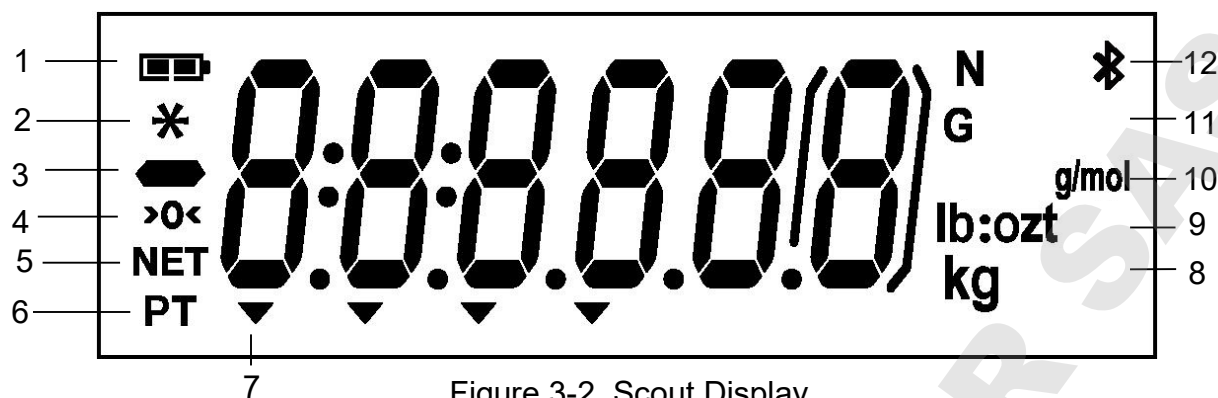


Figure 3-2. Scout Display

TABLE 3-2. Display Symbols

Item	Description	Item	Description
1	Battery charge symbol	7	Pointer symbols
2	Stable weight symbol	8	Kilogram, grain symbols
3	Negative symbol	9	Pound, Ounce, Pound:Ounce symbols
4	Center of Zero symbol	10	g/mol symbol
5	NET symbol	11	G symbol
6	Preset Tare symbol	12	Newton, Bluetooth symbols

### 3.2 Turning Balance On/Off

To turn the balance on, press and hold the **On/Zero Off** button for 1 second. The balance performs a display test, momentarily displays the software version, and then enters the active weighing mode.

To turn the balance off, press and hold the **On/Zero Off** button until OFF is displayed.

### 3.3 Calibration Operation

When the balance is operated for the first time, a span calibration is recommended to ensure accurate weighing results. Before performing the calibration, be sure to have the appropriate calibration weights. Ensure that the Security switch is set to unlocked position.

Press and hold Menu until [MENU] (Menu) is displayed. When the button is released, the display will show [C.R.L]. Press **Yes** to accept. [SPAN] will then be shown. Press Yes to begin the span calibration.

[--C--] will be displayed while zero reading is stored. Next, the display shows the calibration weight value (press **No** to toggle value). Place the specified calibration mass on the pan. [--C--] will be displayed while the reading is stored. The display will show [done] if the calibration was successful. The balance returns to the previous application mode and is ready for use.

### 3.4 Weighing Mode

This mode is the factory default setting.

1. If needed, press and hold **Mode** until [WEIGH] (Weigh) is displayed.
2. If required, place an empty container on the pan and press **Tare**.
3. Add sample to the pan or container. The display shows the weight of the sample.

### 3.5 Density Mode

This mode allows the user to calculate the specific gravity of a sample when using the density kit. Density mode has been initiated when “G” and the current unit is displayed. The sample is weighed in air suspended from the hook and then weighed in water. The formula is

$$\frac{\text{dry weight}}{\text{dry weight} - \text{wet weight}}$$

#### Preparation

Prepare the balance as shown below. Remove the balance pan, insert the hook and install the beaker stand (beaker is not supplied). Then press the **Zero/On** button to turn the balance on.

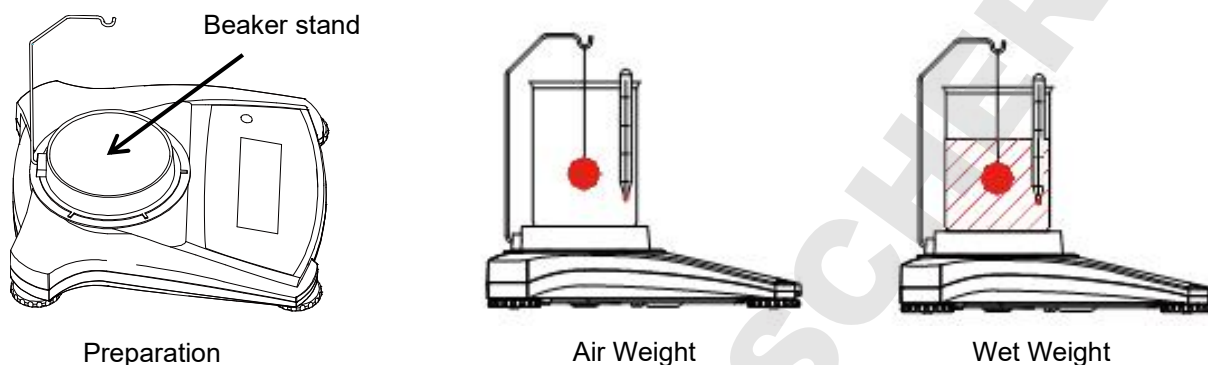


Figure 3-3. Density Setup

#### Density setup

1. Press and hold **Mode** until [SPEC.Gr] is displayed. [A r. Lb] will then be displayed.
2. Place the sample on the hook as described above and press **Yes** to store the dry weight value. [LJ.Lb] will then be displayed.
3. Suspend the sample in water and press **Yes** to store the wet weight value. The specific gravity value is now displayed and “G” is blinking while the unit icon is turned off.

**Notes:** Specific Gravity has no unit of measure.

For large samples it is recommended to use the weighing below feature instead of the hook.

### 3.6 Mole Weighing Mode

To enter the Mole Weighing mode from any application mode, press and hold the **Mode** key until [MOL] is displayed. When the **Mode** key is released, the display shows [Lr.M].

1. Press the **Yes** key to clear the stored Molar Mass. Press the **No** key to recall the existing Molar Mass. If no Molar Mass was stored, the [Lr.M] display is skipped and inputting a Molar Mass is required.
2. If there is a Molar Mass stored, the current Molar Mass will be displayed and flashing.
3. Press the **No** key to begin editing the Molar Mass.
5. Press the **No** key to increment the flashing digit.
6. Press the **Back** key to decrement the flashing digit.
7. Press the **Yes** key to accept the value and move one digit to the right.

**Notes:** If the setting exceeds the limit, the display returns to the previously stored value.

The most left number can be set to 0, 1, 2, 3, 4, 5, 6, 7, 8, 9,-. All other numbers can be set to 0, 1, 2, 3, 4, 5, 6, 7, 8, 9.

The available settings are from 0.01 to 999.99.

The Molar Mass unit is g/mol.

#### Display Molar Mass:

Press Function key to display the existing Molar Mass value for 2 sec.

#### New Molar Mass:

To enter a new Molar Mass press and hold the Function/Mode key until [MOL] is displayed.



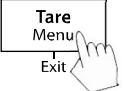



## 4. MENU SETTINGS

The User Menu allows the customizing of balance settings.

Note: Additional Sub-Menus may be available if Interface Options are installed. See Interface User Manual for the additional setting information.

### 4.1 Menu Navigation

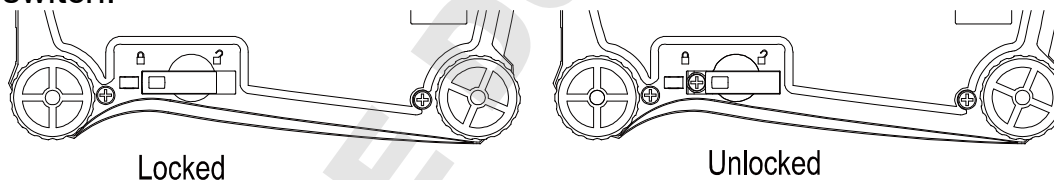
#### User Menu:

<u>Sub-Menus</u>	<u>C.a.l</u>	<u>S.e.t.u.p</u>	<u>M.o.d.e</u>	<u>U.n.i.t</u>	<u>E.n.d</u>
<p><i>User Menu Items:</i></p>  <p>Long press - <b>Enter menu</b></p>  <p>Short press - <b>Accept</b></p>  <p>Short press – Go <b>Next/Prev.</b> menu</p>  <p>Short press – <b>Exit menu</b></p>	<p><i>Span</i> <i>Lin</i></p> <p><i>End</i></p>	<p><i>Reset</i> Yes/No</p> <p><i>Filter</i> Low/Med/High</p> <p><i>AZT</i> 0.5/1/3/Off</p> <p><i>StableRange</i> 0.5/1/2//5</p> <p><i>Backlight</i> Off/On/Auto</p> <p><i>Auto Tare</i> Off/On/On-acc</p> <p><i>Auto Off</i> Off/1/5/10</p> <p><i>End</i></p>	<p><i>Reset</i> Yes/No</p> <p><i>Weighing</i> On/Off</p> <p><i>Density</i> On/Off</p> <p><i>Mole</i> On/Off</p> <p><i>End</i></p>	<p><i>Reset</i> g kg N oz lb lb:oz</p> <p><i>End</i></p>	

**Notes:** Some Units/Modes may not be available in all models.

When the Security Switch is in locked position, the Calibration function is hidden, Units are locked to the current setting.

Security switch:



### 4.2 Calibration Menu

Enter this menu to perform calibrations.

Span:	Perform
Linearity:	Perform
End Calibration:	Exit menu

#### Span [SPAN]

Initiates a span calibration procedure (zero and span)

#### Lin [L IN]

Initiates a linearity calibration procedure (zero, mid-point and span).

#### End Cal [END]

Advance to the next menu or return to the top of the current menu.

## 4.3 Setup Menu

Enter this menu to set balance parameters.

Reset:	<b>no</b> , yes
Filter:	Low, <b>Med</b> , High
Auto Zero Tracking:	off, <b>0.5d</b> , 1d, 3d
Stable:	0.5d, <b>1d</b> , 2d, 5d
Backlight:	off, on, <b>auto</b>
Auto Tare:	<b>off</b> , on, on-acc
Auto Off:	<b>off</b> , 1, 5, 10
End Setup:	Exit menu

Note: **Bold** always represents factory default value.

### Reset [rESEt]

Reset the Setup menu to factory defaults.

- NO = not reset
- YES = reset

### Filter [F .LEr]

Set the amount of signal filtering.

- LOW = less stability, faster stabilization time
- MED = normal stability, stabilization time
- HI = greater stability, slower stabilization time

### AZT [AZt]

Set the automatic zero tracking functionality.

- OFF = disabled
- 0.5d = the display will maintain zero until a change of 0.5 division per second has been exceeded.
- 1d = the display will maintain zero until a change of 1 division per second has been exceeded.
- 3d = the display will maintain zero until a change of 3 divisions per second has been exceeded.

### Stable Range [StABLE]

Set the amount the reading can vary while the stability symbol remains on.

- 0.5d = 0.5 balance division
- 1d = 1 balance division
- 2d = 2 balance divisions
- 5d = 5 balance divisions

### Back Light [b.L .9ht]

Sets backlight functionality.

- OFF = always off
- ON = always on
- AUTO = turns on when a button is pressed or the displayed weight changes.

**Note:** When connected with power pack, the backlight is always on.

### Auto Tare [A.tArE]

Set the automatic tare functionality.

- OFF = Automatic Tare is disabled
- ON = the first stable gross weight is tared
- ON-ACC = stable gross loads within the accept limits are tared (in Check weighing mode)

**Auto off [A.OFF]**

Set the automatic shut off functionality.

OFF	= disabled
1	= powers off after 1 minute of no activity
5	= powers off after 5 minutes of no activity
10	= powers off after 10 minutes of no activity

**End Setup [End]**

Advance to the next menu or return to the top of the current menu.

**4.4 Mode Menu**

This menu activates modes so they will be available for use with the Mode button.

Reset:	no, yes
Weigh:	off, <b>on</b>
Density:	off, <b>on</b>
Mole:	off, <b>on</b>
End Mode:	Exit menu

**Reset [rESEt]**

Reset the Mode menu to factory defaults.

NO	= not reset
YES	= reset

**Weigh [LWEIGH]**

Set the status.

OFF	= disabled
ON	= enabled

**Density [SPEc.Gr]**

Set the sub-mode

OFF	= disabled
ON	= enabled

**Mole [Mole]**

Set the sub-mode

OFF	= disabled
ON	= enabled

Advance to the next menu or return to the top of the current menu.

**End Mode [End]****4.5 Unit Menu**

This menu activates units so they will be accessible with the **Units** button. The units in the menu must be turned “on” to be active.

Note: Available units vary by model and local regulations.

g:	off, <b>on</b>
kg:	<b>off</b> , on
N:	<b>off</b> , on
oz:	<b>off</b> , on
lb:	<b>off</b> , on
lb:oz:	<b>off</b> , on
End Unit:	Exit menu

## 4.6 Additional Features

### Weigh Below Hook

The Scout Balance is equipped with a weigh below hook for weighing below the balance. The weigh below hook is located at the reverse side of the battery cover as shown below. To use this feature, remove the red protective cover underneath for the weigh below opening.



**Attention:** Before turning the balance over, remove the Pan and Pan Support (if present), and turn the transportation lock to “locked” position to prevent damage.



Figure 4-2. Weigh below

The balance can be supported using lab jacks or any other convenient method. Ensure the balance is level and secure and that the transportation lock has been released. Power on the Balance, then use a string or wire to attach items to be weighed.

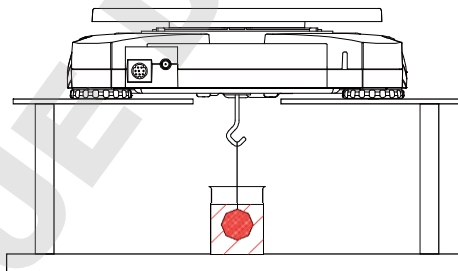


Figure 4-3. Weigh below application

### Connecting the Interface

Use an optional interface connectivity kit to connect the balance either to a computer or a printer.

Below Interface kit accessories are available: RS232, USB Host, USB Device, Ethernet, Bluetooth®.

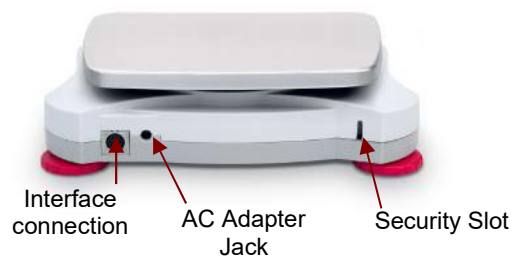


Figure 4-4. Rear of the balance

\* Interface kits may vary according to local regulations

The Bluetooth® word mark and logos are registered trademarks owned by Bluetooth SIG, Inc. and any use of such marks by OHAUS is under license.

## 5. MAINTENANCE

### 5.1 Cleaning



**WARNING:** Electric Shock Hazard. Disconnect the equipment from the power supply before cleaning. Electric Shock Hazard.

The housing may be cleaned with a cloth dampened with a mild detergent if necessary.

**Attention:** Do not use solvents, chemicals, alcohol, ammonia or abrasives to clean the housing or control panel.

### 5.2 Troubleshooting

The following table lists common problems and possible causes and remedies. If the problem persists, contact OHAUS or your authorized dealer.

TABLE 5-1

Symptom	Possible Cause
Cannot turn on	No power to balance
Poor accuracy	Improper calibration Unstable environment
Cannot calibrate	Security switch in locked position
Err B.1	Weight exceeds power on zero range.
Err B.2	Weight below power on zero range.
Err B.3	Over load (weight exceeds rated capacity)
Err B.4	Under load (pan removed)
Err B.5	Tare out of range
Err B.6	Displayed value exceeds 999999 (possible in Totalization mode)
rEF.Err	Parts counting or percentage error – sample weight <1d. Balance shows error then exits parts counting or goes to [CLr.APU].
Lo.rEF	Percent Reference weight or APW is too low for accurate results
CAL E	Fail to do calibration.
USb.Err	Cannot find menu or app file in U-disk.

### 5.3 Service Information

If the troubleshooting section does not resolve or describe your problem, contact your authorized OHAUS service agent. For service assistance or technical support in the United States call toll-free 1-800-672-7722 ext. 7852 between 8:00 AM and 5:00 PM EST. An OHAUS product service specialist will be available to provide assistance. Outside the USA, please visit our web site, [www.ohaus.com](http://www.ohaus.com) to locate the OHAUS office nearest you.

### 5.4 Accessories

TABLE 5-2. ACCESSORIES

DESCRIPTION	Item Number	DESCRIPTION	Item Number
RS232 kit	30268982	Stacking Kit, x1	30268988
USB Host kit	30268983	Specific Gravity kit	30269020
USB Device Kit	30268984	Auxiliary Display Kit	30269019
Bluetooth Kit*	30268985	Carrying Case	30269021
Ethernet Kit	30268986	In-Use Cover	30269022
Stacking Kit, x6	30268987	Printers and Cables	Contact OHAUS

Note: \* Bluetooth kit is only available in certain regions according to the local regulations.

## 6. TECHNICAL DATA

The technical data is valid under the following ambient conditions:

Indoor use only

Operating temperature range: +5 °C to +40 °C

Relative humidity: 10% to 80% at 31°C, decreasing linearly to 50% at 40°C, non-condensing

Altitude: Up to 2000 m

Power: AC power adaptor input 100-240V 50/60 Hz and output 5 V DC 1 A, or 4 AA batteries

Pollution degree: 2

Main supply voltage fluctuations: up to ± 10% of the nominal voltage

### 6.1 Specifications

TABLE 6-1. SPECIFICATIONS

Model	SKX123	SKX222	SKX422	SKX622	SKX1202	SKX2202
Capacity (g)	120	220	420	620	1200	2200
Readability (g)	0.001	0.01	0.01	0.01	0.01	0.01
Repeatability (Std. Dev.) (g)	0.002	0.01	0.01	0.01	0.02	0.02
Linearity (g)	0.003	0.01	0.01	0.02	0.03	0.03
Span Calibration Mass*	100 g	200 g	200 g	300 g	1 kg	2 kg
Linearity Calibration Mass	50, 100 g	100, 200 g	200, 400 g	300, 600 g	500 g, 1 kg	1 kg, 2 kg
Stabilization Time (s)	1.5	1	1	1	1.5	1.5
Construction	ABS plastic housing with 304 stainless steel (SST) pan					
Draftshield	Yes	No				
Calibration	User-selectable external span or linearity calibration / Digital with external weight					
Tare Range	Full Capacity by subtraction					
Weighing Units**	g, kg, N, oz, lb, lb:oz					
Application Modes	Weighing, Density Determination, Mole Weighing					
Typical Battery Life	80 hours	120 hours	80 hours			
Specified Temperature Range	10°C (50°F) to 40°C (104°F) at 10% to 80% relative humidity, non-condensing					
Storage Conditions	-20°C (-4°F) to 55°C (131°F) at 10% to 90% relative humidity, non-condensing					
Communication	RS232, USB Host, USB Device, Ethernet or Bluetooth*** (all available as accessory)					
Display Type	Backlit LCD: 6-digit 7-segment with white LED backlight					
Display Size	0.78 in / 20 mm digits					
Pan Size (W x D)	Ø93 mm / 3.7 in	Ø120 mm / 4.7 in			170 x 140 mm / 6.7 x 5.5 in	
Balance Dimensions (W x D x H)	202 x 222 x 103 mm / 8 x 8.7 x 4.1 in	202 x 224 x 54 mm / 8 x 8.8 x 2.1 in				
Shipping Dimensions (W x D x H)	300 x 250 x 129mm / 11.8 x 9.8 x 5.1 in					
Net Weight	1 kg / 2.2 lb					
Shipping Weight	1.6 kg / 3.5 lb					

#### Notes:

\* Calibration weights are included with models up to 620g capacity for certain regions.

\*\* Availability is dependent on model and region.

\*\*\* Bluetooth kit is only available in certain regions according to the local regulations

TABLE 6-2. SPECIFICATIONS (Cont.)

## Capacity x Readability:

Model	SKX123	SKX222	SKX422	SKX622	SKX1202	SKX2202
Gram (g)	120 x 0.001	220 x 0.01	420 x 0.01	620 x 0.01	1200 x 0.01	2200 x 0.01
Kilogram (kg)	/	/	/	/	1.2 x 0.00001	2.2 x 0.00001
Newton (N)	1.17679 x 0.00001	2.1574 x 0.0001	4.1188 x 0.0001	6.0801 x 0.0001	11.7679 x 0.0001	21.5744 x 0.0001
Ounce (oz)	4.23290 x 0.00005	7.7600 x 0.0005	14.8150 x 0.0005	21.8700 x 0.0005	42.3290 x 0.0005	77.6030 x 0.0005
Pound (lb)	/	/	/	1.36690 x 0.00005	2.64555 x 0.00005	4.85020 x 0.00005
Pound:Ounce (lb:oz)	/	/	/	1lb:5.8700oz x 0.0005oz	2lb:10.3290oz x 0.0005oz	4lb:13.6030oz x 0.0005oz

TABLE 6-3. SPECIFICATIONS (Cont.)

Model	SKX421	SKX621	SKX2201	SKX6201	SKX8200
Capacity (g)	420	620	2200	6200	8200
Readability (g)	0.1	0.1	0.1	0.1	1
Repeatability (Std. Dev.) (g)	0.1	0.1	0.1	0.1	1
Linearity (g)	0.1	0.1	0.1	0.2	1
Span Calibration Mass*	200 g	300 g	2 kg	5 kg	8 kg
Linearity Calibration Mass	200, 400 g	300, 600 g	1 kg, 2 kg	3 kg, 6 kg	4 kg, 8 kg
Stabilization Time (s)	1	1	1	1	1
Construction	ABS plastic housing with 304 stainless steel (SST) pan				
Draftshield	No				
Calibration	User-selectable external span or linearity calibration / Digital with external weight				
Tare Range	Full Capacity by subtraction				
Weighing Units**	g, kg, N, oz, lb, lb:oz				
Application Modes	Weighing, Density Determination, Mole Weighing				
Typical Battery Life	120 hours			80 hours	120 hours
Specified Temperature Range	10°C (50°F) to 40°C (104°F) at 10% to 80% relative humidity, non-condensing				
Storage Conditions	-20°C (-4°F) to 55°C (131°F) at 10% to 90% relative humidity, non-condensing				
Communication	RS232, USB Host, USB Device, Ethernet or Bluetooth*** (all available as accessory)				
Display Type	Backlit LCD: 6-digit 7-segment with white LED backlight				
Display Size	0.78 in / 20 mm digits				
Pan Size (W x D)	Ø120 mm / 4.7 in	170 x 140 mm / 6.7 x 5.5 in			
Balance Dimensions (W x D x H)	202 x 224 x 54 mm / 8 x 8.8 x 2.1 in				
Shipping Dimensions (W x D x H)	300 x 250 x 129mm / 11.8 x 9.8 x 5.1 in				
Net Weight	1 kg / 2.2 lb				
Shipping Weight	1.6 kg / 3.5 lb				

## Notes:

\* Calibration weights are included with models up to 620g capacity for certain regions.

\*\* Availability is dependent on model and region.

\*\*\* Bluetooth kit is only available in certain regions according to the local regulation

TABLE 6-4. SPECIFICATIONS (Cont.)

## Capacity x Readability:

Model	SKX421	SKX621	SKX2201	SKX6201	SKX8200
Gram (g)	420 x 0.1	620 x 0.1	2200 x 0.1	6200 x 0.1	8200 x 1
Kilogram (kg)	/	/	2.2 x 0.0001	6.2 x 0.0001	8.2 x 0.001
Newton (N)	4.119 x 0.001	6.080 x 0.001	21.574 x 0.001	60.801 x 0.001	80.41 x 0.01
Ounce (oz)	14.815 x 0.005	21.870 x 0.005	77.600 x 0.005	218.700 x 0.005	289.25 x 0.05
Pound (lb)	/	1.3670 x 0.0005	4.8500 x 0.0005	13.6685 x 0.0005	18.080 x 0.005
Pound:Ounce (lb:oz)	/	1lb:5.870oz x 0.005oz	4lb:13.600oz x 0.005oz	13lb:10.700oz x 0.005oz	18lb:1.25oz x 0.05oz

## 6.2 Drawings

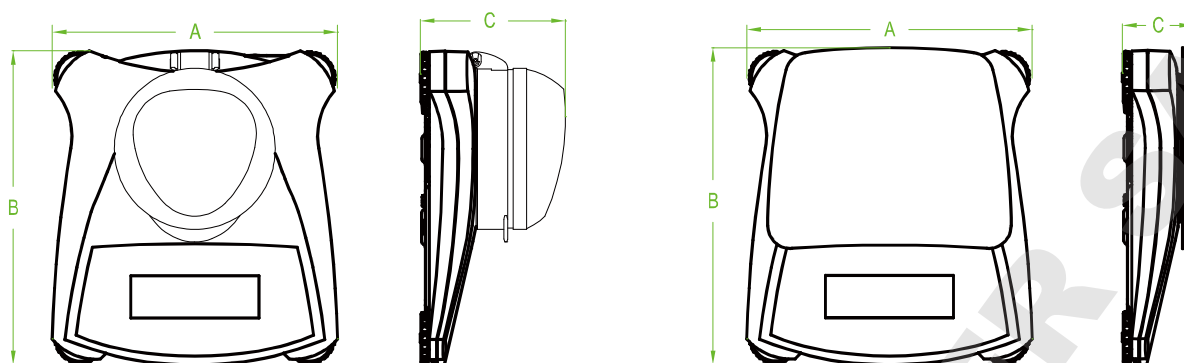





Figure 6.1 Dimensions

Model	A	B	C
with draftshield	202 mm / 8.0 in.	222 mm / 8.7 in.	103 mm / 4.1 in.
w/o draftshield	202 mm / 8.0 in.	224 mm / 8.8 in.	54 mm / 2.1 in.

## 6.3 Compliance

Compliance to the following standards is indicated by the corresponding mark on the product.

Mark	Standard
	This product complies with the applicable harmonized standards of EU Directives 2011/65/EU (RoHS), 2014/30/EU (EMC), 2014/35/EU (LVD) and 2014/31/EU (NAWI). The EU Declaration of Conformity is available online at <a href="http://www.ohaus.com/ce">www.ohaus.com/ce</a> .
	EN 61326-1
	CAN/CSA-C22.2 No. 61010-1 UL Std. No. 61010-1

### Important notice for verified weighing instruments in the EU

When the instrument is used in trade or a legally controlled application it must be set up, verified and sealed in accordance with local weights and measures regulations. It is the responsibility of the purchaser to ensure that all pertinent legal requirements are met.

Weighing Instruments verified at the place of manufacture bear the following supplementary metrology marking on the descriptive plate.

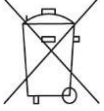
  1259

Weighing Instruments to be verified in two stages have no supplementary metrology marking on the descriptive plate. The second stage of conformity assessment must be carried out by the applicable weights and measures authorities.

If national regulations limit the validity period of the verification, the user of the weighing instrument must strictly observe the re-verification period and inform the weights and measures authorities

As verification requirements vary by jurisdiction, the purchaser should contact their local weights and measures office if they are not familiar with the requirements.



**Disposal**

In conformance with the European Directive 2002/96/EC on Waste Electrical and Electronic Equipment (WEEE) this device may not be disposed of in domestic waste. This also applies to countries outside the EU, per their specific requirements.

Please dispose of this product in accordance with local regulations at the collecting point specified for electrical and electronic equipment. If you have any questions, please contact the responsible authority or the distributor from which you purchased this device.

Should this device be passed on to other parties (for private or professional use), the content of this regulation must also be related.

Disposal instructions in Europe are available online at [www.ohaus.com/weee](http://www.ohaus.com/weee).

Thank you for your contribution to environmental protection.

**FCC Note**

This equipment has been tested and found to comply with the limits for a Class B digital device, pursuant to Part 15 of the FCC Rules. These limits are designed to provide reasonable protection against harmful interference in a residential installation. This equipment generates, uses and can radiate radio frequency energy and, if not installed and used in accordance with the instructions, may cause harmful interference to radio communications. However, there is no guarantee that interference will not occur in a particular installation. If this equipment does cause harmful interference to radio or television reception, which can be determined by turning the equipment off and on, the user is encouraged to try to correct the interference by one or more of the following measures:

- Reorient or relocate the receiving antenna.
- Increase the separation between the equipment and receiver.
- Connect the equipment into an outlet on a circuit different from that to which the receiver is connected.
- Consult the dealer or an experienced radio/TV technician for help.

**Industry Canada Note**

This Class B digital apparatus complies with Canadian ICES-003.

**ISO 9001 Registration**

In 1994, OHAUS Corporation, USA, was awarded a certificate of registration to ISO 9001 by Bureau Veritas Quality International (BVQI), confirming that the OHAUS quality management system is compliant with the ISO 9001 standard's requirements. On June 21, 2012, OHAUS Corporation, USA, was re-registered to the ISO 9001:2008 standard.

### LIMITED WARRANTY

OHAUS products are warranted against defects in materials and workmanship from the date of delivery through the duration of the warranty period. During the warranty period OHAUS will repair, or, at its option, replace any component(s) that proves to be defective at no charge, provided that the product is returned, freight prepaid, to OHAUS. This warranty does not apply if the product has been damaged by accident or misuse, exposed to radioactive or corrosive materials, has foreign material penetrating to the inside of the product, or as a result of service or modification by other than OHAUS. In lieu of a properly returned warranty registration card, the warranty period shall begin on the date of shipment to the authorized dealer. No other express or implied warranty is given by OHAUS Corporation. OHAUS Corporation shall not be liable for any consequential damages.

As warranty legislation differs from state to state and country to country, please contact OHAUS or your local OHAUS dealer for further details.

DOMINIQUE DUTSCHER

**DOMINIQUE DUTSCHER SAS**

# 1. INTRODUCCIÓN

Este manual contiene las instrucciones para la instalación, el funcionamiento y el mantenimiento de las Balanzas de la gama Scout SKXSeries. Por favor, lea este manual en su integridad antes de proceder a utilizar la balanza.

## 1.1 Definición de los símbolos y señales de advertencia

Las notas en materia de seguridad se hallan señalizadas con términos y símbolos de advertencia. Los mismos pueden transmitir informaciones sobre cuestiones y alertas de seguridad. Señalan cuestiones y advertencias de seguridad. Ignorar las indicaciones en materia de seguridad puede ser causa de daños tanto personales como al dispositivo, averías y lecturas erróneas.

### Términos de advertencia

<b>ALERTA</b>	Indica una situación de un nivel de riesgo o peligro medio, de la que podrían resultar daños o incluso la muerte en el caso de no evitarse.
<b>PRECAUCIÓN</b>	Indica una situación de un nivel de riesgo o peligro bajo, de la que podrían resultar daños materiales, daños al dispositivo o las pérdida de datos, o daños físicos, en el caso de no evitarse.
<b>Atención</b>	Para informaciones de relevancia sobre el producto.
<b>Nota</b>	Para informaciones de utilidad sobre el producto.

### Símbolos de advertencia



Riesgos general



Riesgos de descarga eléctrica

## 1.2 Precauciones de seguridad



**PRECAUCIÓN** : Lea atentamente todas las advertencias en material de seguridad antes de proceder a la instalación, de llevar a cabo conexiones u operaciones de mantenimiento en estos equipos. Del incumplimiento del contenido de estas advertencias podrían resultar daños personales y/o materiales. Conserve estas instrucciones para poder consultarlas en el futuro.

- Compruebe que la alimentación eléctrica de corriente AC está en el rango del voltaje de entrada impreso en la etiqueta del adaptador.
- Conecte el adaptador AC únicamente a un enchufe compatible que disponga de toma de tierra.
- No colocar la balanza de tal modo que resulte difícil de desconectar el adaptador AC de la toma de corriente.
- Asegúrese de que el cable de corriente no represente un obstáculo potencial o pueda provocar caídas y/o tropiezos.
- Este equipo ha sido concebido y fabricado para ser utilizado en espacios interiores, y debería hacerse uso del mismo en emplazamientos secos.
- Haga funcionar el equipo únicamente en las condiciones ambientales señaladas las instrucciones del usuario.
- No hacer funcionar el equipo en entornos peligrosos o inestables.
- No dejar caer objetos o cargas sobre la bandeja.
- Hacer uso únicamente de los accesorios y periféricos aprobados por el fabricante.
- Desconectar el equipo de la red eléctrica antes de proceder a su limpieza o efectuar operaciones de mantenimiento.
- Las operaciones de mantenimiento deben de ser únicamente llevadas a cabo por personal autorizado.

# 2. INSTALACIÓN

## 2.1 Instalación de componentes

Consulte las instrucciones y los gráficos que aparecen a continuación para identificar y efectuar el montaje de los componentes de su balanza Scout. Todos los elementos y componentes deben de ser montados antes de hacer uso de la balanza.

### 2.1.1 Desbloqueo del cierre de seguridad de transporte

Desbloquee el cierre / bloqueo de transporte girando el puntero rojo 90 grados en el sentido contrario a las agujas del reloj (de Dcha a Izda) para desbloquearlo.

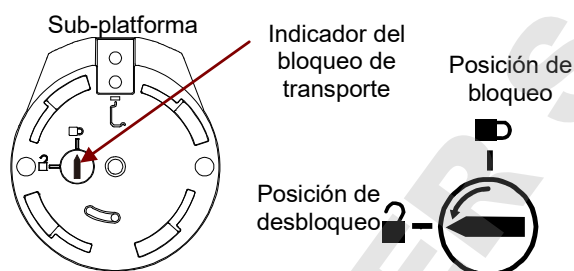


Gráfico 2-1. Bloqueo de transporte

### 2.1.2 Instalar la bandeja de pesaje

Las balanzas provistas de una bandeja rectangular se deben colocar encajándolas en la sub-plataforma como se muestra a continuación y girándolas en el sentido contrario a las agujas del reloj (de Dcha a Izda) hasta que se produzca el encaje. Las bandejas redondas se colocan directamente sobre el soporte de la bandeja.

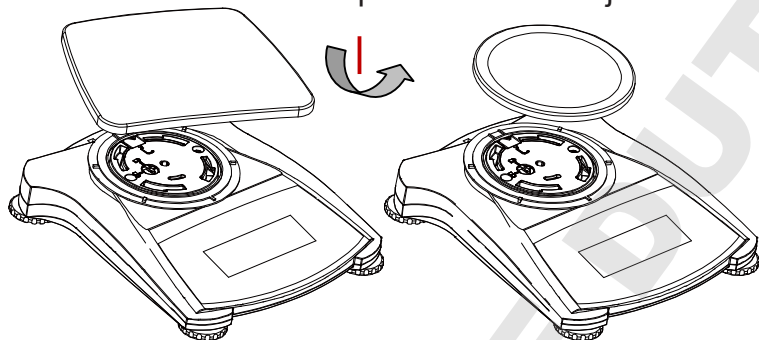


Gráfico 2-2. Instalación de la bandeja de pesaje

### 2.2.3 Ranura de seguridad

Existe una ranura de seguridad en la parte trasera de la balanza que permite el aseguramiento de la balanza mediante un cable opcional y un accesorio de cierre de bloqueo.

## 2.3 Seleccionar el emplazamiento idóneo

Para mejorar sus condiciones de funcionamiento, la balanza Scout debería ser colocada en un entorno limpio y estable. No hacer uso de la balanza en entornos con excesivas corrientes de aire, sometidos a cambios bruscos de temperatura, a proximidad de campos magnéticos o cerca de equipos que generen vibraciones o campos magnéticos.

## 2.4 Conexión a la corriente eléctrica

### Instalación del adaptador AC

Se puede utilizar la corriente AC para hacer funcionar la balanza cuando no resulte necesario la energía de las pilas / baterías. Primero, conectar el adaptador AC (suministrado con el equipo) al jack de la conexión de entrada del adaptador AC situado en la partes posterior de la balanza y luego conecte el enchufe AC a una toma de corriente eléctrica.

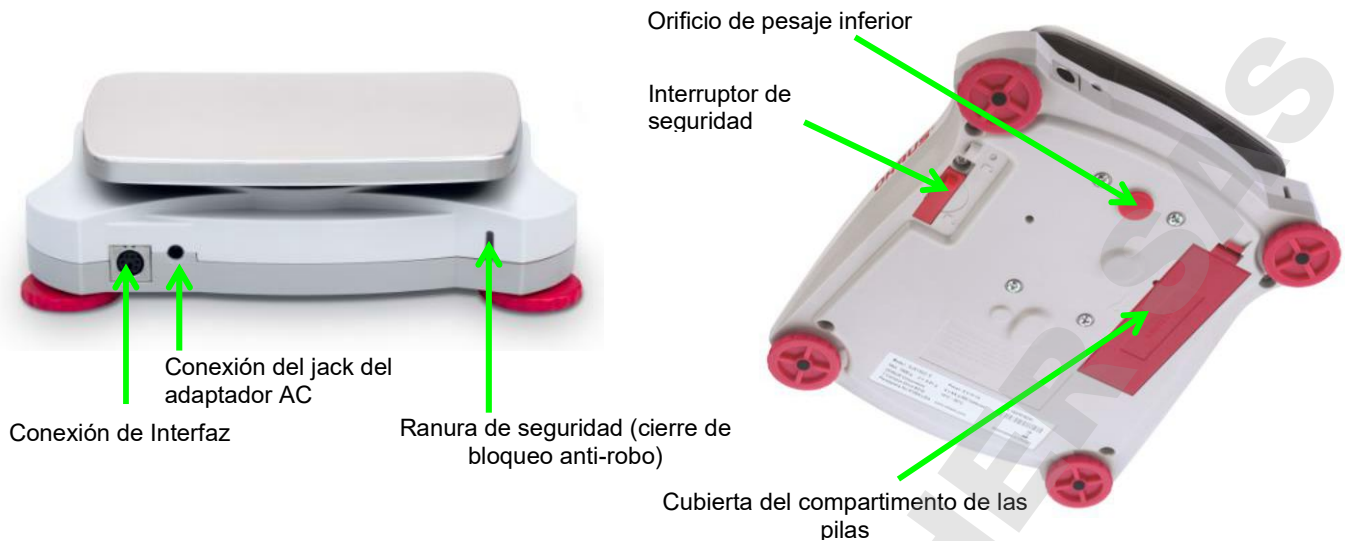


Figure 2-3. Partes posterior e inferior de la balanza

### Instalación de pilas / baterías

Instalar cuatro pilas “AA” con la polaridad tal y como se señala en el comportamiento de las pilas.

#### Nota:

Después de la alimentación, se recomienda dejar que el equilibrio caliente durante al menos 5 minutos antes de usarla.

## 2.5 Calibración inicial

Cuando se instala la balanza por primera vez, y cuando el equipo es desplazado a otro emplazamiento, debe de procederse a su calibrado para garantizar la precisión de los resultados de pesaje.

De un modo alternativo, las balanzas SKX pueden ser calibradas manualmente mediante el uso de masas externas.

Debe de disponer de las masas de calibrado adecuadas antes de iniciar el proceso de calibrado. Por favor, consulte el apartado de calibrado en lo referente a las masas y al proceso de calibrado.

### 3. FUNCIONAMIENTO

#### 3.1 Controles

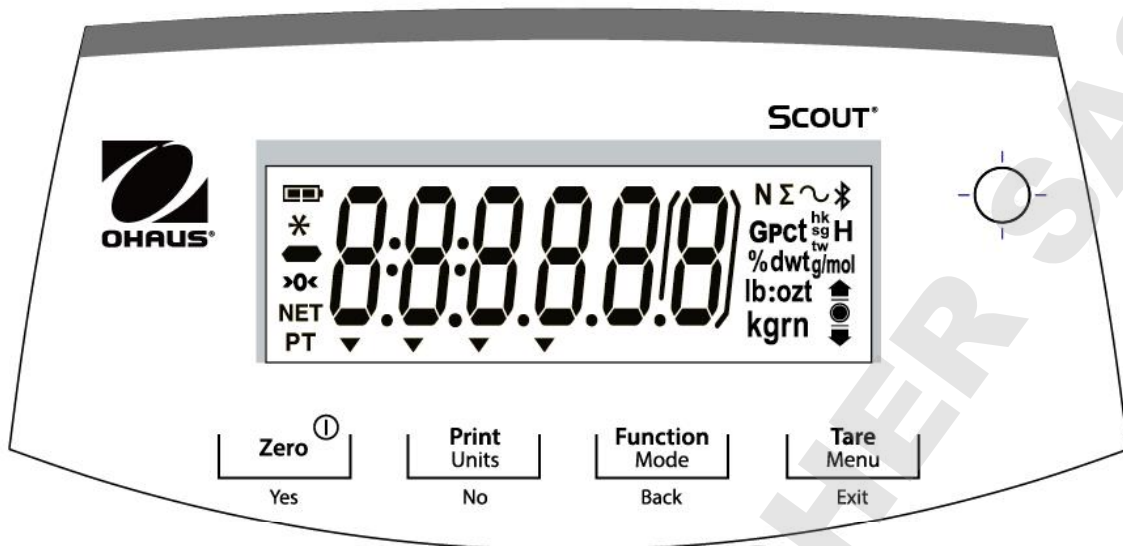
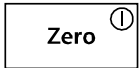





Gráfico 3-1. Panel de Control Scout

TABLA 3-1. Botones de funciones

Botón	 Yes	 No	 Back	 Exit
Función primaria (Pulsación corta)	<b>Cero/On - encendido</b> Enciende la balanza  Si la balanza está encendida, la configura a cero	<b>Imprimir</b> Envía el valor actual al Puerto de comunicación seleccionado si el modo AUTOPRINT (impresión automática) está en Off .apagado.	<b>Función</b> Inicia un modo de aplicación.	<b>Tara</b> Introducir / borrar un valor de tara.
Función secundaria (Pulsación larga)	<b>Zero/Off - apagado</b> Apaga la balanza.	<b>Unidades</b> Modifica la unidad de pesaje.	<b>Modo</b> Permite la modificación del modo de aplicación.	<b>Menú</b> Acceder al menú del usuario.
Función Menú (Pulsación corta)	<b>Yes - Sí</b> Acepta la configuración actual que aparece en pantalla.	<b>No</b> Permite avanzar hasta el siguiente menú o el siguiente elemento del menú. Anula la configuración que aparece en la pantalla y avanza hasta la siguiente configuración disponible.	<b>Atrás</b> Permite volver hacia atrás al elemento anterior del menú.	<b>Salir</b> Permite salir del Menú del usuario. Interrumpe el proceso de calibrado en curso.

**Notas:**

<sup>1</sup> Pulsación corta : Pulsar durante menos de 1 segundo.

<sup>2</sup> Pulsación larga : Pulsar y mantener pulsado durante más de 2 segundos.



Gráfico 3-2. Pantalla de la Balanza Scout  
TABLA 3-2. Símbolos mostrados en pantalla

Elemento	Descripción	Elemento	Descripción
1	Símbolo de carga de la batería	7	Símbolos del cursor
2	Símbolo de peso estable	8	Símbolos de Kilogramos, grano
3	Símbolo "Negativo"	9	Libras, Onzas, Símbolos de Libras:Onzas
4	Símbolo Cero centrado	10	Símbolo g/mol
5	Símbolo NETO	11	Símbolo G
6	Símbolo Tara configurada	12	Símbolos Newtons, Bluetooth

### 3.2 Encendido / apagado de la balanza

Encender la balanza, pulsar y mantener pulsado el botón **[On/Zero Off]**– Encendido / Cero – Apagado durante 1 segundo. La balanza efectuará una comprobación automática de la pantalla y mostrará momentáneamente la versión del software, y luego iniciará el modo de pesaje activo. Para apagar la balanza, pulsar y mantener pulsado el botón **[On/Zero Off]**- Encendido / Cero – Apagado hasta que se muestra OFF (apagado) en pantalla.

### 3.3 Operación de calibración

Cuando se pone en marcha la balanza primera vez, se recomienda llevar a cabo una calibración de rango para garantizar la precisión de los resultados de pesaje. Antes de efectuar el calibrado, asegúrese de disponer de los pesos de calibrado adecuados. Asegúrese de que el interruptor de seguridad está en la posición de desbloqueo.

Pulsar y mantener pulsado **Menu** hasta que **[MENU]** (Menú) se muestre en pantalla. Cuando se suelte el botón, la pantalla mostrará el mensaje **[C.A.L.]**. Pulsar **Yes - sí** para aceptar. Entonces se mostrará el mensaje **[SPAN]** en pantalla. Pulsar **Yes - sí** para iniciar el calibrado de rango. Se mostrará el mensaje **[--[-]]** mientras que se almacena la lectura del "cero". Seguidamente, se mostrará en pantalla el valor del peso de calibrado. Pulsar la tecla **[No]** para modificar dicho valor. Colocar la masa de calibrado especificada en la bandeja. Se mostrará el mensaje **[--[-]]** mientras que se almacena la lectura en la memoria. Se mostrará el mensaje **[done]** si el calibrado se ha llevado a cabo con éxito. La balanza volverá al modo de la aplicación anterior y se encuentra preparada para ser utilizada.

### 3.4 Modo de pesaje

Este es el modo de la configuración por defecto de salida de fábrica.

1. Si fuese necesario, pulsar y mantener pulsado el botón **[Mode]** hasta que **[LWEIGH]** (Weigh – peso) aparezca en pantalla.
2. Si fuese necesario, coloque un recipiente vacío sobre la bandeja y pulse **Tare - Tara**.
3. Coloque una muestra sobre la bandeja o en el recipiente. El peso de la muestra se mostrará en la pantalla.



### 3.5 Modo Densidad

Este modo permite al usuario calcular la gravedad específica de una muestra mediante el uso del Kit de Densidad kit. Density; el modo de densidad se inicia cuando “G” y la unidad actualmente en uso aparecen en pantalla.

La muestra es pesada suspendida en el aire del gancho, y luego pesada en inmersión en agua. La formula a aplicar es la siguiente :

$$\frac{\text{peso en Seco}}{\text{peso en seco} - \text{peso húmedo} / \text{en inmersión}}$$

#### Preparación

Preparar la balanza como se muestra a continuación. Extraer la bandeja de la balanza, insertar el gancho e instalar el vaso de precipitado / recipiente y su soporte (el vaso de precipitado / recipiente no se suministra con el equipo). Luego pulsar el botón **[Zero/On]**– cero / encendido para encender la balanza.



Gráfico 3-3. Configuración para la medición de densidad

#### Configuración de Densidad

1. Pulsar y mantener pulsado el botón **Mode** hasta que **[SPEC.Gr]** aparezca en pantalla. Entonces aparecerá en pantalla **[R r.twt]**.
2. Colocar la muestra en el gancho como se ha descrito con anterioridad y pulsar **Yes - sí** para almacenar en la memoria el valor del peso en seco. Entonces aparecerá en pantalla **[wt.twt]**.
3. Suspender el elemento de muestra en inmersión en el agua y pulsar **Yes - sí** para almacenar en la memoria el valor del peso húmedo / en inmersión. Se mostrará en pantalla el valor de la gravedad específica y “G” parpadeará en pantalla mientras el icono de las unidades está apagado.

**Notas:** La gravedad específica no tiene unidad de medida.

Para muestras y objetos de mayo tamaño se recomienda utilizar la función de pesaje inferior en vez del gancho.

### 3.6 Modo de pesaje de Mol

Para entrar en el modo de pasaje de Mol desde cualquier modo de aplicación, pulsar y mantener pulsada la tecla **Mode** hasta que **[MolE]** aparezca en pantalla. Cuando suelte el botón **Mode**, la pantalla mostrará el siguiente mensaje **[Lr.M75]**.

1. Pulsar la tecla **[Yes] – Sí**, para borrar la Masa Molar almacenada en la memoria. Pulsar **No** para usar el dato almacenado en la memoria Masa Molar. Si no hay ninguna Masa Molar almacenada en la memoria, no aparecerá en la pantalla el mensaje **[Lr.M75]** y será necesario introducir una Masa Molar.
2. Si existe una Masa Molar almacenada en la memoria, la Masa Molar actualmente almacenada en la memoria se mostrará en la pantalla y parpadeará de modo intermitente.
3. Pulsar la tecla **No** para iniciar la edición / introducción de la Masa Molar.
5. Pulsar la tecla **No** para incrementar el dígito que parpadea de modo intermitente.

6. Pulsar la tecla [Back] atrás para reducir el dígito que parpadea de modo intermitente.

7. Pulsar la tecla Yes – Sí para aceptar el valor que aparece en pantalla y desplazar un dígito hacia la derecha.

Notas: Si la configuración supera el límite establecido, la pantalla volverá al valor almacenado en la memoria con anterioridad.

El número más la izquierda puede ser configurado en 0, 1, 2, 3, 4, 5, 6, 7, 8, 9, -. Todos los demás números pueden ser configurados en 0, 1, 2, 3, 4, 5, 6, 7, 8, 9.

Las demás configuraciones van de 0.01 a 999.99.

La unidad de masa molar es g/mol.

### Mostrar en pantalla la Masa Molar :

Pulsar el botón Función [Function] durante 2 segundos para mostrar en pantalla la Masa Molar actualmente almacenada en la memoria.

### Nueva Masa Molar :

Para introducir una nueva Masa Molar pulsar y mantener pulsado el botón de la Función / Modo hasta que aparezca [MOL] en pantalla.

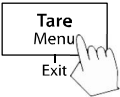


## 4. Configuraciones del MENÚ

El Menú Usuario (UserMenu) permite personalizar la configuración de la balanza.

Nota : Pueden hallarse disponibles Sub-Menús adicionales si se instalan accesorios / opciones de Interfaz. Consulte el Manual del usuario del Interfaz para obtener información adicional sobre las configuraciones adicionales.

### 4.1 Menu Navigation

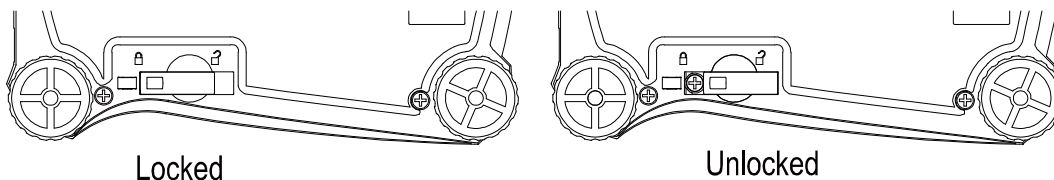
#### UserMenu:

<u>Sub-Menús</u>	<u>C.a.l</u>	<u>S.e.t.u.p</u>	<u>M.o.d.e</u>	<u>U.n.i.t</u>	<u>E.n.d</u>
<p><i>Elementos del Menú</i></p> <p> Pulsión larga – <b>Acceder al menú</b></p> <p><b>Yes Sí</b>  Pulsión corta - <b>Aceptar</b></p> <p><b>No/Back No/Atrás</b> Pulsión corta – Ir al menú <b>Siguiente / Anterior</b></p> <p><b>Exit Salir</b>  Pulsión corta – <b>Salir del menú</b></p>	<p><i>Rango Lineal</i></p> <p><i>Fin</i></p>	<p><i>Reconfigurar</i></p> <p><i>Si/No</i></p> <p><i>Filtro</i></p> <p><i>Bajo/Medio/Alto</i></p> <p><i>AZT- Retorno a cero automático</i></p> <p><i>0.5/1/3/Off</i></p> <p><i>Rango estable</i></p> <p><i>0.5/1/2//5</i></p> <p><i>Iluminación trasera</i></p> <p><i>Off/On/Auto</i></p> <p><i>Tara Automática</i></p> <p><i>Off/On/On-acc</i></p> <p><i>Apagado automático</i></p> <p><i>Off/1/5/10</i></p> <p><i>Fin</i></p>	<p><i>Reconfigurar</i></p> <p><i>Si/No</i></p> <p><i>Pesaje</i></p> <p><i>On- encendido /Off - apagado</i></p> <p><i>Densidad</i></p> <p><i>On- encendido /Off - apagado</i></p> <p><i>Mol</i></p> <p><i>On- encendido /Off - apagado</i></p> <p><i>Fin</i></p>	<p><i>Reconfigurar</i></p> <p><i>g</i></p> <p><i>kg</i></p> <p><i>N</i></p> <p><i>oz</i></p> <p><i>lb</i></p> <p><i>lb.oz</i></p> <p><i>Fin</i></p>	

**Notas:** Algunas Unidades / Modos pueden no hallarse disponibles en todos los modelos.

Cuando el interruptor de seguridad está en la posición de bloqueo, la función de Calibrado se halla oculta, las Unidades se hallan bloqueadas en la configuración actual (la que se halle activa en ese momento).

Interruptor de seguridad :



## 4.2 Menú de Calibrado

Entrar en este menú para llevar a cabo operaciones de calibrado.

Span- Rango :	Efectuar
Linearity – Linealidad :	Efectuar
Finalizar calibrado:	Salir del menú

### Span - Rango [**SPAN**]

Inicia el procedimiento de calibrado de rango (cero y rango)

### Lin [**LIN**]

Inicia el procedimiento de calibrado de linealidad (cero, punto medio y rango).

### End Cal [**END**] – Finalizar calibrado

Permite avanzar hacia el menú siguiente o volver a la parte superior del menú actual.

## 4.3 Menú de configuración

Entrar en este menú para configurar los parámetros de la balanza.

Reset – Reconfigurar :	<b>no</b> , yes - sí
Filter – Filtro :	Low - Bajo, <b>Med - Medio</b> , High - Alto
Retorno a cero automático :	off - apagado, <b>0.5d</b> , 1d, 3d
Estable :	0.5d, <b>1d</b> , 2d, 5d
Iluminación trasera :	off - apagado, on - encendido, <b>auto - automático</b>
Tara automática :	<b>off - apagado</b> , on- encendido, on-acc
Apagado automático :	<b>off - apagado</b> , 1, 5, 10
Fin configuración :	Salir del menú

**Nota :** En negrita aparecen siempre los valores de salida de fábrica por defecto.

### Reset– Reconfigurar [**RESET**]

Permite reconfigurar el menú de configuración a los valores de salida de fábrica establecidos.

NO - No = no reconfigurar

YES - Sí = reconfigurar

### Filter– Filtro [**FILTER**]

Configurar el nivel del filtrado de la señal.

LOW - Bajo = menor estabilidad, tiempo de estabilización más rápido

MED - Medio = estabilidad normal, tiempo de estabilización

HI - Alto = mayor estabilidad, tiempo de estabilización más lento

### AZT– Retorno automático a cero [**AZT**]

Configurar la función de vuelta automática a cero (automaticzero tracking).

Apagado = desactivada

0.5d = Se mostrará el valor cero en pantalla hasta que se supere un cambio de 0.5 divisiones por segundo.

1d = Se mostrará el valor cero en pantalla hasta que se supere un cambio de 1 divisiones por segundo.

3d = Se mostrará el valor cero en pantalla hasta que se supere un cambio de 3 divisiones por segundo

**Stable Range – Rango estable [StAbLE]**

Configurar la cantidad en la que puede variar la lectura mientras se mantiene encendido el símbolo de estabilidad.

0.5d	= 0.5 balance division – división de la balanza
1d	= 1 balance division – división de la balanza
2d	= 2 balance division – división de la balanza
5d	= 5 balance division – división de la balanza

**Back Light– Iluminación trasera [b.L ,9hE]**

Permite configurar la función de la iluminación trasera.

OFF - Apagado	= siempre apagada
ON - Encendido	= siempre encendida
AUTO - Automático	= encendida cuando se pulsa un botón o se produce un cambio en el peso mostrado en pantalla.

**Note:** Cuando el dispositivo se halla conectado al pack de alimentación, la iluminación trasera estará siempre encendida.

**Auto Tare– Tara automatic[A.tA-r-E]**

Permite configurar la función de tara automática.

OFF – Apagado	= La función de Tara Automática(AutomaticTare) estará desactivada
ON – encendido	= Se efectúa la tara con relación al primer pesaje bruto estable
ON-ACC	= Las cargas brutas estables dentro de los límites aceptados están sujetas a tara (en el modo de pesaje de Comprobación - Checkweighingmode)

**Auto off - Apagado automático [A.OFF]**

Configurar la función de apagado automático.

OFF - apagado	= desactivado
1	= apaga el equipo tras 1 minuto sin actividad
5	= apaga el equipo tras 5 minutos sin actividad
10	= apaga el equipo tras 10 minutos sin actividad

**EndSetup– Finalizar configuración [End]**

Avanzar hacia el menú siguiente o volver a la parte superior del menú actual.

**4.4 Modo Menú**

Este menú activa modos y funciones para que se hallen disponibles para ser utilizados mediante el botón [Mode].

Reconfigurar :	no, sí
Peso :	off - apagado, on - encendido
Densidad :	off - apagado, on - encendido
Mol:	off - apagado, on - encendido
EndMode:	Salir del menú

**Reconfigurar - Reset [r-ESEt]**

Reconfigurar el menú Modea la configuración por defecto de salida de fábrica.

NO	= noreconfigurar
YES - Sí	= reconfigurar

**Peso - Weigh [LWE IGH]**

Configurar el estatus.

OFF – Apagado	= desactivado
ON – Encendido	= activado

**Densidad – Density [SPEC.Gr]**

Configurar el estatus.

OFF – Apagado = desactivado  
ON – Encendido = activado

### **Mol [F70LE]**

Configurar el sub-modo

OFF = apagado / desactivado  
ON = encendido / activado

Avanzar hasta el menú siguiente para volver a la parte superior del menú actual.

**EndMode [End]** – Salir del menú

## **4.5 Menú unidades**

Este menú activa las unidades para resulten accesibles con el botón **[Units]** Unidades. Las unidades en menú deben de estar encendidas “on” para hallarse activas.

**Nota** : Las unidades disponibles pueden varias en función del modelo y de las distintas normativas nacionales aplicables.

g:	off - apagado, <b>on - encendido</b>
kg:	<b>off - apagado</b> , on - encendido
N:	<b>off - apagado</b> , on - encendido
oz:	<b>off - apagado</b> , on - encendido
lb:	<b>off - apagado</b> , on - encendido
lb:oz:	<b>off - apagado</b> , on - encendido
End Unit:	Salirdelmenú

## **4.6 Características adicionales**

### Gancho de pesaje inferior

La balanza Scout se halla equipada con un gancho inferior para efectuar pesajes por debajo de la balanza.

El gancho de pesaje se halla situado en la parte trasera de la cubierta de las pilas como se muestra a continuación. Para poder hacer uso de esta característica y funcionalidad tiene que quitar la cobertura roja de protección para abrir la parte inferior de la báscula.



**Atención** :Antes de girar la balanza, quitar la tapa y el apoyo de la tapa (si la hay), y gire la clavija de bloqueo de transporte hacia la posición de “bloqueo” para evitar que el equipo sufra daños.



Gráfico 4-2. Pesaje inferior

La balanza puede apoyarse mediante el uso de soportes de laboratorio o cualquier otro método adecuado. Asegúrese de que la balanza se encuentra nivelada y apoyada con seguridad y que el bloqueo de transporte ha sido anulado. Encienda la balanza, y use una cuerda o un alambre para fijar los elementos que deban de ser pesados.

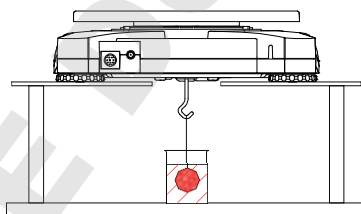


Gráfico 4-3. Aplicación de pesaje inferior / peso colgante

### Conectando el Interfaz

Puede utilizar un kit interfaz de conectividad adicional para conectar la báscula a un ordenador o a una impresora.

Se hallan disponibles los distintos accesorios de Kit que se describen a continuación :

RS232, Host USB, DispositivoUSB, Ethernet, Bluetooth®.

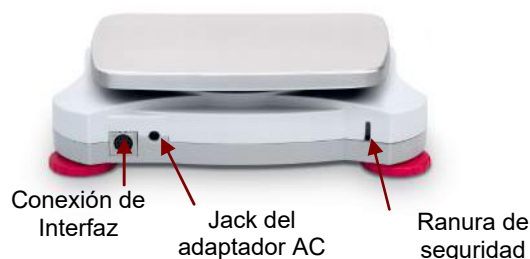


Gráfico 4-4. Parte posterior de la balanza

\* Los kits de interfaces disponibles pueden estar sujetos a cambios de acuerdo con las distintas normativas nacionales aplicables

La palabra y el logotipo Bluetooth® son marcas registradas propiedad de Bluetooth SIG, Inc., OHAUS hace uso de dichas marcas al amparo de sus licencias de utilización.

## 5. MANTENIMIENTO

### 5.1 Limpieza



**PRECAUCIÓN** : Riesgo de shock / descarga eléctrica. Desconectar el equipo de la toma / fuente de corriente eléctrica antes de proceder a su limpieza.

La carcasa puede limpiarse con un paño humedecido con un detergente suave si fuese necesario.



**Atención** :No utilizar disolventes, productos químicos, alcohol, amoniaco o productos abrasivos para limpiar la carcasa o el panel de control.

### 5.2 Resolución de problemas

La tabla siguiente contiene una lista de problemas habituales y sus posibles causas y soluciones. Si el problema persiste, por favor, contacte con OHAUS o su agente autorizado.

TABLA5-1

Síntoma	Causa probable
No se puede encender el dispositivo	La balanza no recibe alimentación / corriente
Escasa precisión	Calibrado inadecuado Entorno inestable
No puede efectuarse el calibrado	El interruptor de seguridad está en la posición de cierre
Err B.1	El peso sobrepasa la potencia en el rango cero.
Err B.2	La potencia en el pesaje inferior se halla en rango cero.
Err B.3	Sobrecarga (el peso sobrepasa la capacidad del rango establecido)
Err B.4	Carga insuficiente (sin bandeja de pesaje)
Err B.5	Tara fuera de rango
Err B.6	El valor mostrado en pantalla sobrepasa 999999 (posible en modo de Totalización)
Err B.7	Posición interna de pesaje desconocida
rEF.Err	Error de recuento de partes o de porcentaje – peso de la muestra < 1d. La balance señala un error y luego sale del modo de recuento de partes o se pone en modo [CLr.APU].
Lo.rEF	Peso de referencia de porcentaje o APW demasiado bajo para obtener resultados precisos
CAL E	Error a la hora de efectuar el calibrado.
USb.Err	No se puede hallar el fichero de la aplicación (app file) o el menú en el disco U.

### 5.3 Información sobre el servicio técnico

Si el apartado de resolución de problemas no le resulta útil para resolver un problema, puede ponerse en contacto con su agente autorizado OHAUS. Para servicio o soporte técnico en los Estados Unidos puede llamar al servicio de atención al cliente al número gratuito :1-800-672-7722 ext. 7852 entre las 8:00 AM y las 5:00 PM EST. Un especialista en los productos OHAUS se hallará disponible para brindarle la asistencia técnica necesaria. Si reside fuera de los Estados Unidos, por favor, visite nuestra web : [www.ohaus.com](http://www.ohaus.com) o localice las oficinas de OHAUS más cercanas.

### 5.4 Accesorios

TABLA 5-2. ACCESORIOS

DESCRIPCIÓN	Número del artículo	DESCRIPCIÓN	Número del artículo
Kit RS232	30268982	Kit de apilado "Stacking Kit", x1	30268988
Kit Host USB	30268983	Kit de gravedad específica	30269020
Kit dispositivo USB	30268984	Kit de pantalla / visor auxiliar - AuxiliaryDisplay Kit	30269019
Kit Bluetooth*	30268985	Maletín de transporte	30269021
Kit Ethernet	30268986	Cubierta / paraviento de uso	30269022
Kit de apilado "Stacking Kit", x6	30268987	Cables e impresoras	Contacte con OHAUS

Nota :El Kit\* Bluetooth se halla únicamente disponible en algunas regiones o países de acuerdo con las normativas aplicables a nivel nacional.

## 6. Datos Técnicos

Los datos técnicos son válidos únicamente en las siguientes condiciones ambientales :

Usa únicamente en entornos interiores

Rango de temperaturas de funcionamiento operativo :+5 °C a +40 °C

Humedad relativa :10% a 80% a 31°C, con decrecimiento lineal hasta el 50% a 40°C, sin condensación

Altitud :Hasta 2000 m

Alimentación :Corriente AC – Adaptador de corriente 100-240V 50/60 Hz y salida 5V DC 1 A, o 4 pilas AA

Nivel de polución : 2

Fluctuaciones de voltaje de la corriente principal :hasta ± 10% del voltaje nominal



## 6.1 Características técnicas

TABLA 6-1. CARACTERÍSTICAS TÉCNICAS

Modelo	SKX123	SKX222	SKX422	SKX622	SKX1202	SKX2202	SKX421	SKX621	SKX2201	SKX6201	SKX8200
Capacidad (g)	120	220	420	620	1200	2200	420	620	2200	6200	8200
Legibilidad (g)	0.001	0.01	0.01	0.01	0.01	0.01	0.1	0.1	0.1	0.1	1
Repetibilidad (Std. Dev.) (g)	0.002	0.01	0.01	0.01	0.02	0.02	0.1	0.1	0.1	0.1	1
Linealidad (g)	0.003	0.01	0.01	0.02	0.03	0.03	0.1	0.1	0.1	0.2	1
Masa de calibrado de amplitud*	100 g	200 g	200 g	300 g	1 kg	2 kg	200 g	300 g	2 kg	5 kg	8 kg
Masa de calibrado de linealidad	50, 100 g	100, 200 g	200, 400 g	300, 600 g	500 g, 1 kg	1 kg, 2 kg	200, 400 g	300, 600 g	1 kg, 2 kg	3 kg, 6 kg	4 kg, 8 kg
Tiempo(s) de estabilización	1.5	1			1.5		1				
Fabricado en	Carcasa en ABS & placa de 304 acero inoxidable										
Cubierta / paraviento	Sí	No									
Rango de Tara	Plena capacidad por sustracción										
Unidades de pesaje*	g, kg, N, oz, lb, lb:oz										
Modos de aplicación	Pesaje, Determinación de la densidad, Pesaje de Mol										
Tiempo de funcionamiento de las baterías (a 20°C)	80 horas	120 horas	80 horas				120 horas			80 horas	120 horas
Rango de temperaturas de funcionamiento operativo específico	+10°C a +40°C a 10% a 80% Humedad relativa, sin condensación										
Condiciones de almacenamiento	-20°C a +55°C a 10% a 90% Humedad relativa, sin condensación										
Comunicación	RS232, dispositivo USB, Ethernet, Bluetooth***, Host USB Host (todos disponibles como accesorio)										
Tipo de pantalla	LCD con iluminación trasera : 6-dígitos 7-segmentos con iluminación trasera LED de luz blanca										
Tipo de pantalla	20 mm / 0.78 pulgadas dígitos										
Tamaño de la bandeja (A x D)	Ø93mm/3.7 pulgadas	Ø120 mm / 4.7 pulgadas			170 x 140 mm / 6.7 x 5.5 pulgadas		Ø120mm / 4.7 pulgadas	170 x 140 mm / 6.7 x 5.5 pulgadas			
Dimensiones para la balanza (Largo x Ancho x Alto)	202 x 222 x 103 mm / 8 x 8.7 x 4.1 in	202 x 224 x 54 mm / 8 x 8.8 x 2.1 in									
Dimensiones para el transporte / envío (Largo x Ancho x Alto)	300 x 250 x 129 mm / 11.8 x 9.8 x 5.1 pulgadas										
Peso Neto	1 kg										
Peso para el transporte / envío	1.6 kg										

### Notas:

\* Las pesas de calibración se incluyen con los modelos de hasta 620g capacidad de ciertas regiones.

\*\* Las unidades de pesaje disponibles, los modos de aplicación y los Kits de interfaces opcionales están sujetos a cambios de acuerdo con las normativas nacionales aplicables.

\*\*\* Kit Bluetooth sólo está disponible en ciertas regiones de acuerdo con las regulaciones locales.

### Capacidad x Legibilidad

Modelo	SKX123	SKX222	SKX422	SKX622	SKX1202	SKX2202	SKX421	SKX621	SKX2201	SKX6201	SKX8200
Grammo (g)	120 x 0.001	220 x 0.01	420 x 0.01	620 x 0.01	1200 x 0.01	2200 x 0.01	420 x 0.1	620 x 0.1	2200 x 0.1	6200 x 0.1	8200 x 1
Kilogramo (kg)	/	/	/	/	1.2 x 0.00001	2.2 x 0.00001	/	/	2.2 x 0.0001	6.2 x 0.0001	8.2 x 0.001
Newton (N)	1.17679 x 0.00001	2.1574 x 0.0001	4.1188 x 0.0001	6.0801 x 0.0001	11.7679 x 0.0001	21.5744 x 0.0001	4.119 x 0.001	6.080 x 0.001	21.574 x 0.001	60.801 x 0.001	80.41 x 0.01
Onzas (oz)	4.23290 x 0.00005	7.7600 x 0.0005	14.8150 x 0.0005	21.8700 x 0.0005	42.3290 x 0.0005	77.6030 x 0.0005	14.815 x 0.005	21.870 x 0.005	77.600 x 0.005	218.700 x 0.005	289.25 x 0.05
Libra (lb)	/	/	/	1.36690 x 0.00005	2.64555 x 0.00005	4.85020 x 0.00005	/	1.3670 x 0.0005	4.8500 x 0.0005	13.6685 x 0.0005	18.080 x 0.005
Libra: Onza (lb: oz)	/	/	/	1lb:5.8700oz x 0.0005oz	2lb:10.3290oz x 0.0005oz	4lb:13.6030oz x 0.0005oz	/	1lb:5.870oz x 0.005oz	4lb:13.600oz x 0.005oz	13lb:10.700oz x 0.005oz	18lb:1.25oz x 0.05oz

## 6.2 Gráficos

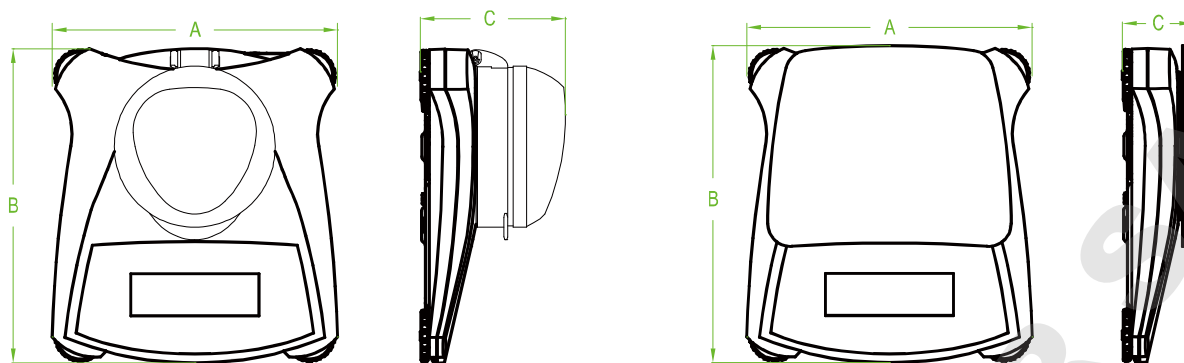


Gráfico 6.1 Dimensiones

Modelo	A	B	C
Con cubierta	202 mm/8.0in.	222 mm/8.7in.	103 mm/4.1in.
Sin cubierta	202 mm/8.0in.	224 mm/8.8in.	54 mm/2.1in.

## 6.3 Cumplimiento de la normativa vigente

Compliance to the following standards is indicated by the corresponding mark on the product.

Marcaje	Estándar
	Este producto es conforme con las normas armonizadas aplicables de directivas de la UE 2011/65 / UE (RoHS) 2014/30 / UE (EMC) 2014/35 / UE (LVD) y 2014/31 / UE (NAWI). La declaración de conformidad de la UE está disponible en línea en <a href="http://www.ohaus.com/ce">www.ohaus.com/ce</a> .
	EN 61326-1
	CAN/CSA-C22.2 No. 61010-1 UL Std. No. 61010-1

### Aviso importante para los instrumentos de pesaje verificados en la UE

Los equipos usados en transacciones comerciales deben ser verificados y sellados por una entidad cualificada. Es responsabilidad del comprador asegurarse de que se cumplen todos los requisitos legales pertinentes.

Las balanzas verificadas en fábrica llevan el siguiente distintivo en la placa descriptiva.

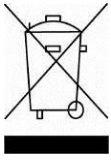


Los instrumentos de pesaje que requieren ser verificados en dos etapas, no tienen ninguna marca adicional de metrología en la placa descriptiva. La segunda etapa debe ser realizada en el lugar de instalación por el personal del servicio de mantenimiento cualificado para ello. Contactar con la representación local.

Si las regulaciones nacionales limitan el periodo de validez de la verificación, el usuario debe seguir estrictamente el periodo de re-verificación e informar las medidas y el peso a las autoridades.

Contacto con Ohaus o Dado que la legislación sobre garantías difiere de un país a otro, le rogamos que, para más información, se ponga en con su Distribuidor local de Ohaus.

## GESTIÓN DE RESIDUOS



En cumplimiento con la Directiva Europea 2002/96/EC sobre la gestión de residuos de equipos eléctricos y electrónicos (Waste Electrical and Electronic Equipment - WEEE) este dispositivo no puede ser desechado junto con los residuos domésticos. Esto también es de aplicación otros países fuera de la Unión Europea, de acuerdo con sus normativas propias de aplicación.

Por favor, una vez concluida su vida útil, proceda a la eliminación de este producto de conformidad con las normas aplicables en los puntos de recogida especificados para dispositivos y equipos eléctricos y electrónicos. Si tiene alguna duda o pregunta, por favor póngase en contacto con las autoridades responsables o con el distribuidor donde efectuó la compra del dispositivo.

En el caso de efectuarse la venta de este dispositivo a terceros (para su uso privado o profesional), también se transfiere la responsabilidad en cuanto al respeto de esta normativa.

Para las instrucciones sobre la eliminación de residuos aplicable en Europa, por favor, consulte nuestra página web : [www.OHAUS.com/weee](http://www.OHAUS.com/weee).

Gracias por contribuir a la protección del medio ambiente.

### **Nota de la FCC (Comisión Federal de Comunicaciones)**

Este equipo ha sido probado y ha quedado establecido que cumple con los límites establecidos para dispositivos digitales de Clase B, en cumplimiento del apartado 15 de la normativa FCC (Comisión Federal de Comunicaciones). Estos límites han sido concebidos y diseñados para suministrar una protección razonable contra las interferencias nocivas en instalaciones residenciales. Este equipo usa, genera y puede emitir energías de radio-frecuencia, y, en el caso de no estar instalado y usarse el mismo de acuerdo con las instrucciones del fabricante, pueden producirse interferencias perjudiciales o peligrosas con las comunicaciones por radio. No obstante, no existe garantía alguna de que dichas interferencias no ocurran en una instalación en concreto. Si este equipo provoca interferencias perjudiciales o peligrosas en la recepción de radio o televisión, lo cual puede determinarse encendiendo y apagando el dispositivo, se recomienda que el usuario intente corregir la interferencia llevando a cabo una o varias de las acciones siguientes :

- Reorientar o colocar en otro emplazamiento la antena de recepción.
- Incrementar la distancia entre el equipo y el receptor.
- Conectar el equipo en un enchufe de toma de corriente de un circuito distinto al cual se halle conectado el receptor.
- Por favor, consulte con su agente autorizado / concesionario o con un técnico especializado en radio/TV para obtener la ayuda adecuada.

### **Aviso de Industry Canada**

Este aparato digital de la Clase B cumple con la norma canadiense ICES-003.

### **Registro ISO 9001**

En 1994, Ohaus Corporation de Estados Unidos, recibió un certificado de registro a ISO 9001 de Bureau Veritas Quality International (BVQI), lo que confirma que el sistema de gestión de calidad de Ohaus es compatible con los requisitos de la norma ISO 9001. El 21 de junio de 2012, Ohaus Corporation, EE.UU., volvió a registrarse en el estándar ISO 9001:2008.

## GARANTÍA LIMITADA

Los productos de Ohaus están garantizados contra defectos en materiales y mano de obra desde la fecha de entrega hasta el término del periodo de garantía. Durante el período de vigencia de la garantía, Ohaus reparará, o, a su opción, sustituirá sin cargo alguno cualquier componente que demuestre estar defectuoso, siempre que el producto se devuelva a Ohaus, flete prepagado.

Esta garantía no es válida si el producto ha sido dañado por accidente o mal uso, expuesto a materiales radiactivos o corrosivos, tiene materiales extraños que han penetrado en el interior del producto, o ha sido sometido a reparaciones o modificaciones por personas o empresas distintas a Ohaus. En caso de no existir una tarjeta de registro de garantía enviada adecuadamente al fabricante, el periodo de garantía comenzará en la fecha de envío al distribuidor autorizado. Ohaus Corporation no otorga ninguna otra garantía expresa o implícita. Ohaus Corporation no será responsable de ningún daño indirecto.

Ya que la legislación sobre garantías difiere de un estado a otro y de país a país, póngase en contacto con Ohaus o su distribuidor local de Ohaus para obtener más detalles.

**DOMINIQUE DUTSCHER SAS**

# 1. INTRODUCTION

Ce manuel contient des instructions d'installation, d'exploitation et d'entretien pour les balances Scout Séries SKX. Bien vouloir lire complètement le manuel avant d'utiliser la balance .

## 1.1 Définition des marques et symboles de mise en garde

Les consignes de sécurité sont marquées avec des messages et symboles de mise en garde. Ceux-ci illustrent les questions de sécurité et les avertissements. Ignorer les consignes de sécurité peut entraîner des blessures, des dégâts à l'appareil, des dysfonctionnements et des résultats erronés.

### Messages de mise en garde

**MISE EN GARDE** Pour une situation dangereuse à risque moyen, pouvant entraîner des blessures ou la mort si non évité.

**AVERTISSEMENT** Pour une situation dangereuse à faible risque, pouvant entraîner des dégâts à l'appareil, aux biens, la perte de données ou des blessures si non évitée.

**Attention** Pour une information importante relative au produit.

**Note** Pour une information utile relative au produit.

### Symboles de mise en garde



Risque d'ordre général



Risque de choc électrique

## 1.2 Précautions de sécurité



**ATTENTION** : Lire toutes les mises en garde de sécurité avant l'installation, la réalisation de connexions ou l'entretien de cet appareil. Ne pas se conformer à ces mises en garde peut causer des blessures et/ou des dégâts matériels. Conserver toutes les instructions pour future référence.

- Vérifier que l'alimentation électrique locale corresponde à la plage de tension indiquée sur l'étiquette des données de l'adaptateur en courant alternatif.
- Ne brancher uniquement l'adaptateur en courant alternatif qu'à une prise avec mise à la terre.
- Ne pas placer la balance de telle façon qu'il soit difficile de débrancher l'adaptateur secteur de la prise de courant.
- S'assurer que le cordon d'alimentation ne constitue pas un obstacle potentiel ou un risque lors d'un déplacement.
- Cet équipement est destiné à une utilisation en intérieur et ne doit être utilisé dans des endroits secs.
- Ne faire fonctionner l'appareil que dans les conditions ambiantes spécifiées dans ce mode d'emploi.
- Ne pas faire fonctionner l'équipement dans des environnements dangereux ou instables.
- Ne pas laisser tomber les charges sur le plateau.
- N'utiliser uniquement que des accessoires et des périphériques approuvés.
- Couper l'alimentation électrique de l'équipement avant le nettoyage ou l'entretien.
- Il est nécessaire que seul du personnel qualifié effectue l'entretien.

# 2. INSTALLATION

## 2.1 Installation des composants

Se reporter aux illustrations et aux instructions ci-dessous pour identifier et assembler la balance Scout et ses composants. Tous les composants doivent être assemblés avant d'utiliser la balance.

### 2.1.1 Déverrouillage du verrou de transport

Libérer le verrou de transport rouge en tournant le pointeur rouge de 90 degrés vers la gauche pour déverrouiller.

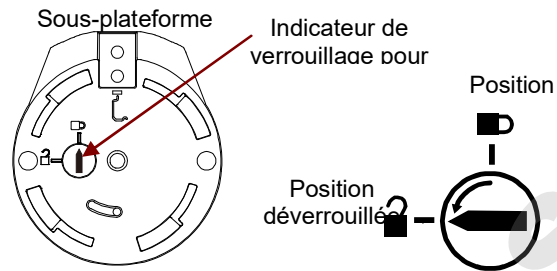


Figure 2-1. Verrou de transport

### 2.1.2 Installation du plateau de pesée

Placer les moules rectangulaires dans la sous-plateforme comme illustré et exercer une rotation vers la gauche jusqu'à leur verrouillage. Les plateaux ronds sont placés du haut vers le bas sur la sous-plateforme.

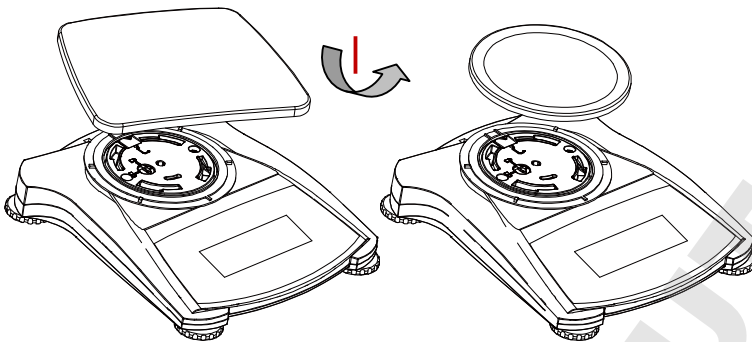


Figure 2-2. Installation du plateau

### 2.2.3 Encoche de sécurité

Il est prévu à l'arrière de la balance une encoche de sécurité qui permet de sécuriser la balance avec un câble en option muni d'une serrure.

## 2.3 Choix de l'emplacement

Pour de meilleurs résultats, il est nécessaire d'utiliser la balance Scout dans un environnement propre et stable. Ne pas utiliser la balance dans des environnements avec des courants d'air importants, avec des changements rapides de température, près de champs magnétiques ou à proximité d'appareils générant des champs magnétiques ou des vibrations.

## 2.4 Raccordement de l'alimentation électrique

### Installation de l'adaptateur pour courant alternatif

L'alimentation électrique secteur est utilisée pour alimenter la balance lorsque l'utilisation des piles n'est pas nécessaire. Tout d'abord, brancher l'adaptateur secteur (fourni) au connecteur femelle à l'arrière de la balance, puis brancher le cordon sur une prise électrique.

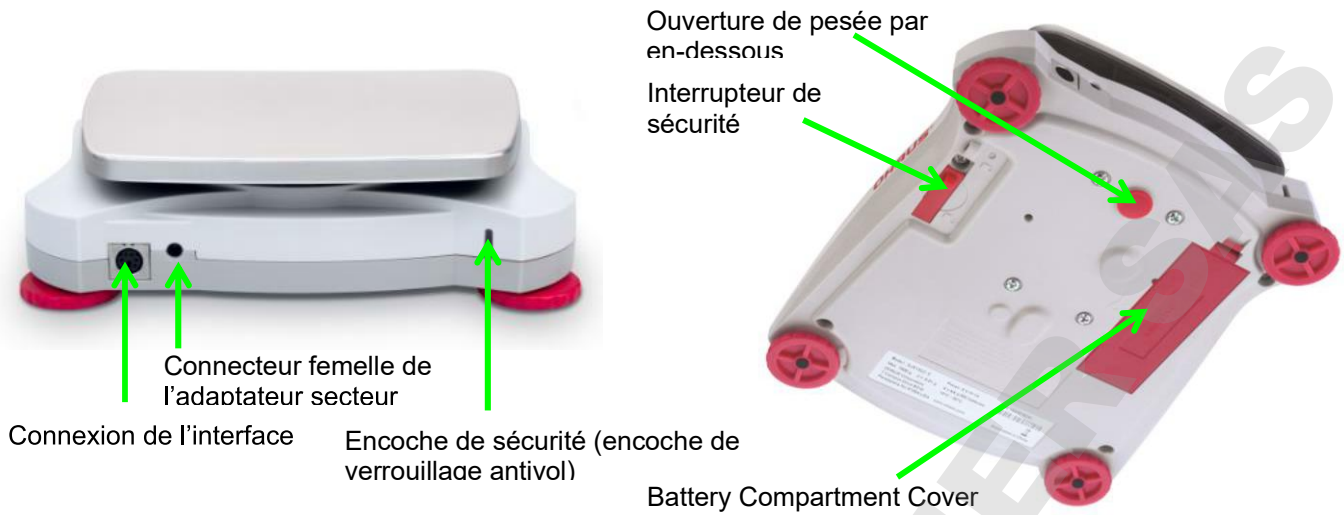


Figure 2-3. Vue arrière et du dessous de la balance

### Installation des piles

Installer les quatre piles « AA » en respectant la polarité indiquée dans le logement des piles.

#### Note:

Après la mise sous tension, il est recommandé de laisser le reste chaude pendant au moins 5 minutes avant de l'utiliser.

## 2.5 Calibrage initial

Lors de la première installation de la balance, et lorsque celle-ci est déplacée vers un autre emplacement, on doit procéder à son étalonnage pour garantir des résultats de pesage précis. Alternativement, il est possible d'étalonner les balances manuellement avec des masses externes.

Disposer des masses d'étalonnage appropriées avant de commencer l'étalonnage. Se reporter à la section Étalonnage pour les masses et la procédure d'étalonnage.



## 3. OPÉRATION

### 3.1 Commandes

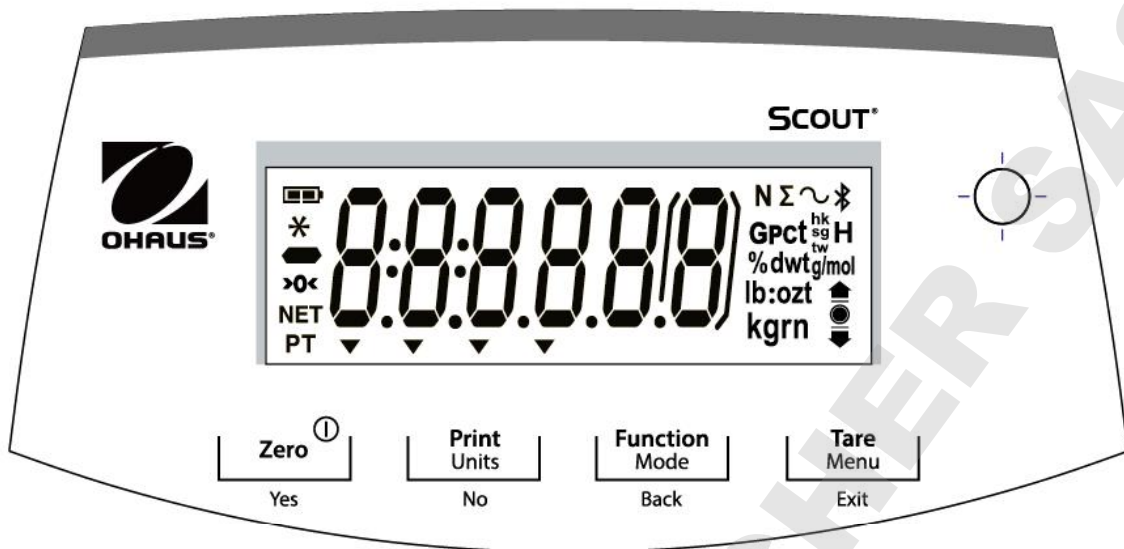
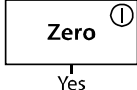
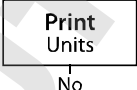
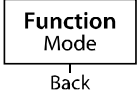
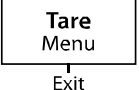


Figure 3-1 Panneau de commande Scout

TABLEAU 3-1. Fonctions des boutons

Bouton	 Yes	 No	 Back	 Exit
Fonction primaire (Appui bref)	<b>Zéro/Activé</b> Mettre la balance sous tension  Si la balance est allumée, définit zéro	<b>Impression</b> Envoie la valeur actuelle aux ports COM sélectionnés, si AUTOPRINT est réglé sur désactivé.	<b>Fonction</b> Lance un mode d'application.	<b>Tare</b> Saisir/Effacer une valeur de tare.
Fonction secondaire (Appui long)	<b>Zéro/Désactivé</b> Met la balance hors tension	<b>Unités</b> Change l'unité de pesage.	<b>Mode</b> Permet de modifier le mode d'application.	<b>Menu</b> Entrer dans le menu utilisateur.
Fonction menu (Appui bref)	<b>Oui</b> Accepte le réglage présent à l'écran.	<b>Non</b> Avance au menu ou élément de menu suivant.  Rejette le réglage présent à l'écran et passe au paramètre disponible suivant.	<b>Retour</b> Revient en arrière au menu précédent.	<b>Sortie</b> Quitte le menu utilisateur.  Abandonne l'étalonnage en cours.

**Remarque :** <sup>1</sup> Appui bref : Appuyer moins de une seconde.

<sup>2</sup> Appui long : Appuyer et maintenir enfoncé pendant plus de deux secondes.

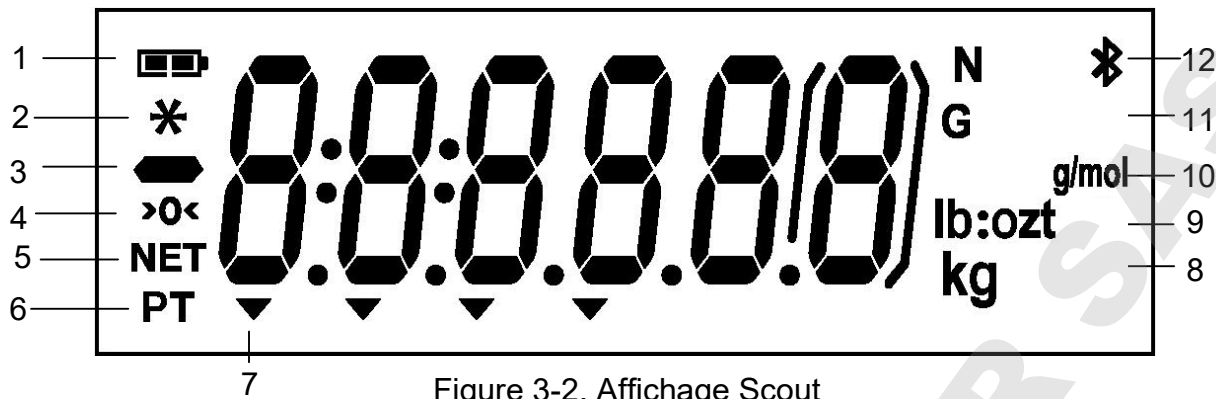


Figure 3-2. Affichage Scout

TABLEAU 3-2. Affichage des symboles

Article	Description	Article	Description
1	Symbole de charge de la batterie	7	Symboles de pointeur
2	Symbole poids stable	8	Symboles kilogramme, grain
3	Symbole négatif	9	Symboles once, livre/once
4	Symbole Centre de zéro	10	Symbole g/mol
5	Symbole NET	11	Symbole B
6	Symbole tare pré-réglée	12	Symboles Newton, Bluetooth

### 3.2 Allumer et éteindre la balance

Pour allumer la balance, appuyer et maintenir le bouton **On/Zero Off** pendant une seconde. La balance effectue un test d'affichage, affiche momentanément la version du logiciel, puis entre dans le mode de pesage actif.

Pour éteindre la balance, appuyer et maintenir le bouton **On/Zero Off** jusqu'à ce que OFF soit affiché.

### 3.3 Opération calibration

Lorsque la balance est utilisée pour la première fois, un étalonnage par intervalle est recommandé pour garantir des résultats de pesage précis. Avant d'effectuer l'étalonnage, s'assurer d'avoir les masses d'étalonnage appropriées. S'assurer que le commutateur de sécurité soit en position déverrouillée.

Appuyer et maintenir **Menu** jusqu'à ce que [MENU] (Menu) soit affiché. Lorsque le bouton est relâché, l'écran affiche [CAL]. Appuyer sur **Oui** pour valider. [SPAN] est alors affiché. Appuyer sur **Oui** pour débuter l'étalonnage par intervalle.

[--C--] est affiché pendant que l'indication zéro est stockée. Ensuite, l'écran affiche la valeur de la masse d'étalonnage. Appuyer sur la touche **Non** bascule la valeur. Placer la masse d'étalonnage indiquée sur le plateau. [--C--] est affiché pendant que l'indication est stockée. L'affichage indique [done] si l'étalonnage est réussi. La balance revient au mode d'application précédent et est prête à l'emploi.

### 3.4 Mode de pesée

Ce mode est le réglage par défaut de l'usine.

1. Le cas échéant, appuyer et maintenir **Mode** jusqu'à ce que [LJE ICH] (Pesée) soit affiché.
2. Le cas échéant, placer un récipient vide sur le plateau et appuyer **Tare**.
3. Ajouter l'échantillon sur le plateau ou dans le récipient. L'écran affiche le poids de l'échantillon.

### 3.5 Mode masse volumique

Ce mode permet à l'utilisateur de calculer la masse volumique d'un échantillon lors de l'utilisation du kit de densité. Le mode masse volumique est lancé lorsque « G » et l'unité actuelle sont affichés.

L'échantillon est pesé dans l'air suspendu au crochet, puis pesé dans l'eau. La formule est

$$\frac{\text{poids sec}}{\text{poids sec} - \text{poids humide}}$$

#### Préparation

Préparer la balance comme illustré ci-dessous. Retirer le plateau de la balance, insérer le crochet et poser le support du bécher (bécher non fourni). Puis appuyer sur **Marche/Zéro** pour allumer la balance.

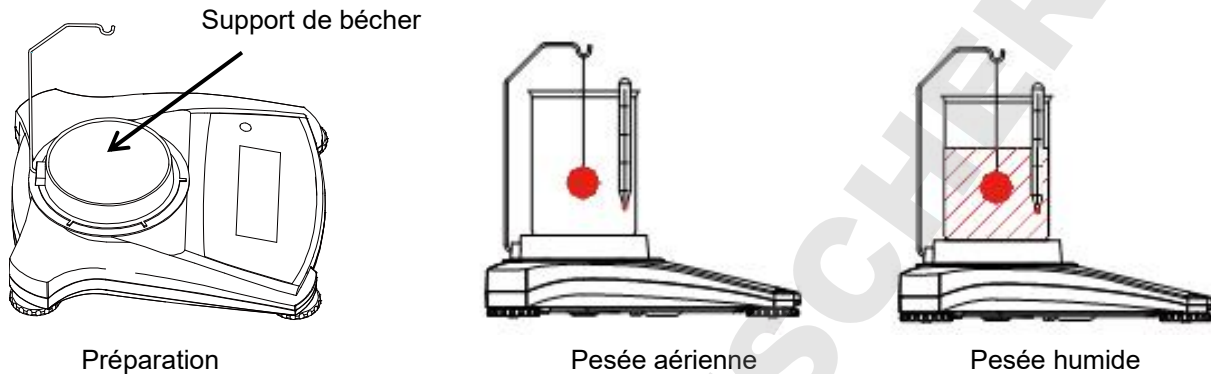


Figure 3-3. Calcul de la masse volumique

#### Calcul de la masse volumique

1. Appuyer et maintenir **Menu** jusqu'à ce que [SPEC.G] soit affiché. [A ir. LUK] est ensuite affiché.
2. Placer l'échantillon sur le crochet comme décrit ci-dessus et appuyer sur **OUI** pour stocker la valeur de poids sec. [LJ.LUK] est alors affiché.
3. Mettre l'échantillon en suspension dans l'eau et appuyer sur **Oui** pour stocker la valeur du poids en milieu humide. La valeur du poids spécifique est maintenant affichée et « G » clignote pendant que l'icône de l'unité est désactivée.

**Remarque :** Le poids spécifique n'a pas d'unité de mesure.

Pour des échantillons volumineux, il est recommandé d'utiliser la pesée par en-dessous au lieu d'une pesée au crochet.

### 3.6 Mode de pesée molaire

Pour entrer dans le mode de pesée molaire à partir de toute application, appuyer et maintenir la touche **Mode** jusqu'à ce que [MOL] soit affiché. Lorsque la touche **Mode** est relâchée, l'affichage indique [Lr.M5].

1. Appuyer sur la touche **Oui** pour effacer la masse molaire stockée. Appuyer sur la touche **Non** pour rappeler celle existante

Masse molaire. Si aucune masse molaire n'a été stockée, l'affichage [Lr.M5] est ignoré et l'introduction d'une

Nouvelle masse molaire est nécessaire.

2. S'il y a une masse molaire stockée, la masse molaire actuelle est affichée et clignote.

3. Appuyer sur la touche **Non** pour commencer à modifier la masse molaire.

5. Appuyer sur la touche **Non** pour augmenter le chiffre clignotant.

6. Appuyer sur la touche **Retour** pour diminuer le chiffre clignotant.

7. Appuyer sur la touche **Oui** pour valider la valeur et passer d'un chiffre vers la droite.

**Remarque :** Si le paramètre dépasse la limite, l'affichage revient à la valeur précédemment stockée. Le nombre le plus à gauche peut être réglé sur 0, 1, 2, 3, 4, 5, 6, 7, 8, 9, -. Tous les autres chiffres peuvent être 0, 1, 2, 3, 4, 5, 6, 7, 8, 9.

Les réglages disponibles vont de 0,01 à 999,99.

L'unité de masse molaire est le g/mol.



## 4.3 Menu de paramétrage

Entrer dans ce menu pour définir les paramètres de la balance.

Réinitialiser :	<b>non</b> , oui
Filtre :	Faible, <b>Moyen</b> , Élevé
Suivi du zéro automatique :	Off, <b>0,5 d</b> , 1 d, 3 d
Stable :	0,5 d, <b>1 d</b> , 2 d, 5 d
Rétroéclairage :	Off, On, <b>Auto</b>
Tarage automatique :	<b>off</b> , on, on-acc
Arrêt automatique :	<b>off</b> , 1, 5, 10
Fin de configuration :	Menu de fin

**Remarque :** \* Les caractères gras représentent toujours la valeur usine par défaut.

### Réinitialiser [rE5E5]

Réinitialiser le menu de configuration aux valeurs d'usine par défaut.

- NON = ne pas réinitialiser
- OUI = réinitialiser

### Filtre [F,LEEr]

Régler la quantité de filtrage du signal.

- Faible = moins de stabilité, délai de stabilisation plus rapide
- Moyen = stabilité et délai de stabilisation normale,
- Élevé = plus de stabilité, délai de stabilisation plus lent

### AZT [A2E]

Régler la fonctionnalité de suivi automatique de zéro.

- ÉTEINT = désactivé
- 0,5 d = l'affichage maintient zéro jusqu'à ce qu'un changement de 0,5 division par seconde ait été dépassé.
- 1 d = l'affichage maintient zéro jusqu'à ce qu'un changement de 1 division par seconde ait été dépassé.
- 3 d = l'affichage maintient zéro jusqu'à ce qu'un changement de 3 divisions par seconde ait été dépassé.

### Plage stable [5EAbLE]

Régler de combien la marge d'indication peut varier tandis que le symbole de stabilité demeure allumé.

- 0,5 d = 0,5 division balance
- 1 d = 1 division balance
- 2 d = 2 divisions balance
- 5 d = 5 divisions balance

### Rétro-éclairage [b.L,9hE]

Paramétrer la fonctionnalité de Rétro-éclairage.

- Éteint = toujours éteint
- Allumé = toujours allumé
- Auto = allumé lorsqu'on appuie sur un bouton ou que le poids affiché change.

**Remarque :** Lorsque connecté avec un bloc d'alimentation, le rétro-éclairage est toujours allumé.

### Tarage automatique [A.EArE]

Paramétrer la fonctionnalité de tarage automatique.

- Éteint = Le tarage automatique est désactivé
- Marche = Le premier poids brut stable est taré
- Marche-Acc = les charges brutes stables à l'intérieur des limites sont tarées (dans le mode de Contrôle de pesée)

**Auto désactivé [A.OFF]**

Régler la fonctionnalité d'arrêt automatique.

ÉTEINT	= désactivé
1	= s'éteint après 1 minute sans activité
5	= s'éteint après 5 minutes sans activité
10	= s'éteint après 10 minutes sans activité

**Fin du paramétrage [End]**

Avancer au menu suivant ou revenir au début du menu actuel.

**4.4 Menu principal**

Ce menu active des modes de sorte qu'ils soient accessibles en vue d'une exploitation avec le bouton Mode.

Réinitialiser :	<b>non</b> , oui
Pesée :	Éteint, <b>Allumé</b>
Masse volumique:	Éteint, <b>Allumé</b>
Mole :	Éteint, <b>Allumé</b>
Mode fin :	Menu de fin

**Réinitialiser [rESEt]**

Réinitialiser le menu Mode aux valeurs d'usine par défaut.

NON	= ne pas réinitialiser
OUI	= réinitialiser

**Pesée [LWE IEM]**

Définir le statut.

ÉTEINT	= désactivé
ALLUMÉ	= activé

**Masse volumique[SPEC.9r]**

Définir le statut.

ÉTEINT	= désactivé
ALLUMÉ	= activé

**Mole [Mole]**

Régler le sous-mode

ÉTEINT	= désactivé
ALLUMÉ	= activé

Avancer au menu suivant ou revenir au début du menu actuel.

**Mode fin [End]****4.5 Menu unités**

Ce menu active des unités de sorte que celles-ci soient accessibles avec le bouton **Unités**. Les unités dans le menu doivent être activées pour être fonctionnelles.

**Remarque :** Des unités disponibles varient en fonction du modèle et des réglementations locales.

g :	Éteint, <b>Allumé</b>
kg :	<b>Éteint</b> , Allumé
N :	<b>Éteint</b> , Allumé
oz :	<b>Éteint</b> , Allumé
lb :	<b>Éteint</b> , Allumé
lb :oz :	<b>Éteint</b> , Allumé
Unité finale :	Menu de fin

## 4.6 Fonctionnalités supplémentaires

### Crochet de pesée par en-dessous

La balance Scout est équipée d'un crochet de pesée par en-dessous pour le pesage sous la balance. Le crochet de pesage par en-dessous se trouve à l'envers du capot de la batterie comme illustré ci-dessous. Pour utiliser cette fonctionnalité, ôter le capot de protection rouge situé en dessous pour accéder à l'ouverture de pesée par en-dessous.



**Attention:** Avant de retourner la balance, retirer le plateau et le support de plateau (si présent). Tourner le verrou de transport en position « verrouillée » pour éviter des dommages.

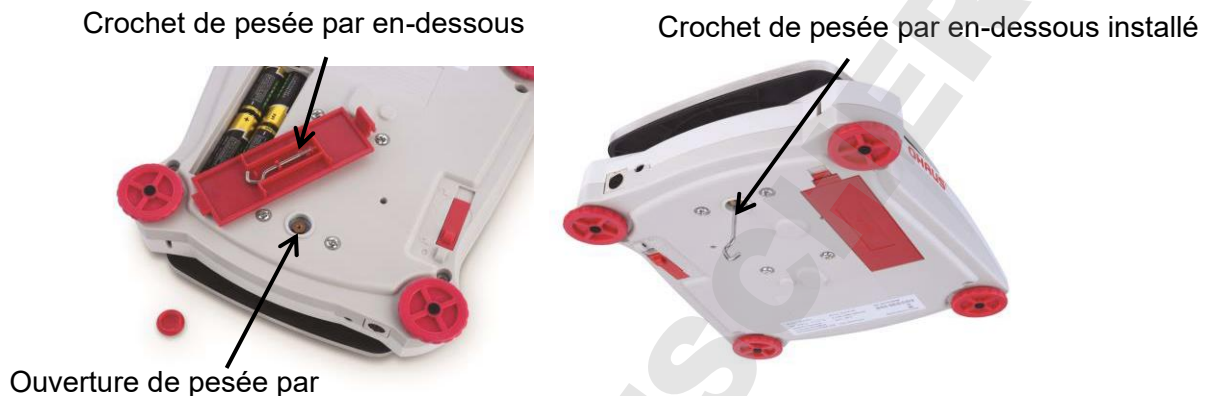


Figure 4-2. Pesée par en-dessous

On peut soutenir la balance à l'aide de vérins de laboratoire ou autre méthode pratique. S'assurer que la balance soit de niveau et stable et que le verrou de transport ait été libéré. Mettre la balance sous tension, puis utiliser une chaîne ou un fil pour attacher les articles à peser.

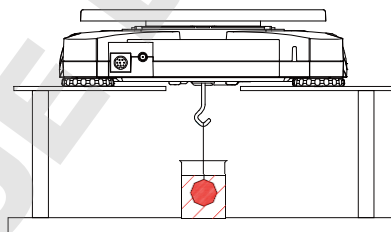


Figure 4-3. Application de pesée par en-dessous

### Connexion de l'interface

Utilisez une interface de connectivité en option pour connecter la balance, soit à un ordinateur, soit à une imprimante.

Ci-dessous, les accessoires disponibles du kit d'interface :

RS232, Hôte USB, Périphérique USB, Ethernet, Bluetooth®\*.

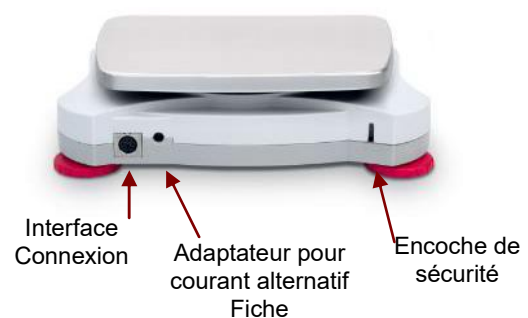


Figure 4-4. Arrière de la balance

\* Ces kits d'interface varient selon les réglementations locales

Les marques verbales et les logos Bluetooth® sont des marques déposées appartenant à Bluetooth SIG, Inc. ; l'exploitation de ces marques par OHAUS est autorisée sous licence.

## 5. ENTRETIEN

### 5.1 Nettoyage



**ATTENTION** : Danger de choc électrique. Débrancher l'appareil de l'alimentation électrique lors du nettoyage.

Le boîtier peut être nettoyé avec un chiffon humide et un détergent doux si nécessaire.



**Attention** : Ne pas utiliser de solvants, de produits chimiques, d'alcool, d'ammoniaque ou de produits abrasifs pour nettoyer le boîtier ou le panneau de commande.

### 5.2 Dépannage

Le tableau suivant répertorie les problèmes courants, leurs causes possibles et leurs solutions. Si le problème persiste, contacter OHAUS ou votre revendeur agréé.

TABLEAU 5-1.

Symptôme	Cause possible
Impossible d'allumer	La balance n'est pas alimentée
Mauvaise précision	Étalonnage incorrect environnement instable
Impossible d'étalonner	Interrupteur de sécurité en position verrouillée
<b>Err B.1</b>	Poids supérieur à la puissance sur la gamme zéro.
<b>Err B.2</b>	Poids inférieur à la puissance sur la gamme zéro.
<b>Err B.3</b>	En surcharge (poids excède la capacité nominale)
<b>Err B.4</b>	En sous charge (plateau enlevé)
<b>Err B.5</b>	Tare hors plage
<b>Err B.6</b>	Valeur affichée dépasse 999999 (possible dans le mode totalisation)
<b>Err B.7</b>	Position inconnue du poids interne
<b>REF.Err</b>	Erreur de comptage de pièces ou de pourcentage - poids échantillon < 1 d. <b>Balance</b> affiche une erreur et quitte ensuite le comptage de pièces ou va à [ <b>CLr.APU</b> ].
<b>Lo.rEF</b>	Le poids de référence de pourcentage ou d'APW est trop faible pour des résultats précis
<b>CAL E</b>	Échec d'étalonnage.
<b>USb.Err</b>	Ne peut pas trouver le menu ou fichier d'application dans le disque « U ».

### 5.3 Service d'information

Si la section de dépannage ne permet pas de résoudre ou ne décrit pas le problème, contacter l'agent d'entretien agréé OHAUS. Pour un service d'assistance ou une prise en charge technique aux États-Unis, composer le numéro gratuit 1-800-672-7722, poste 7852 entre 8h00 et 17h00 (GMT - 5). Un spécialiste du service produit OHAUS est disponible pour apporter son aide. En dehors des États-Unis, bien vouloir se rendre sur notre site web, [www.ohaus.com](http://www.ohaus.com) pour rechercher la filiale OHAUS la plus proche.



## 5.4 Accessoires

TABLEAU 5-2. ACCESSOIRES

DESCRIPTION	Numéro d'article	DESCRIPTION	Numéro d'article
Kit RS232	30268982	Kit de superposition, x 1	30268988
Kit hôte USB	30268983	Kit de poids spécifique	30269020
Kit clef USB	30268984	Kit d'affichage auxiliaire	30269019
Kit Bluetooth*	30268985	Mallette de transport	30269021
Kit Ethernet	30268986	Housse	30269022
Kit de superposition, x 6	30268987	Imprimantes et câbles	Contacteur OHAUS

Remarque : \* Le kit Bluetooth n'est disponible qu'uniquement dans certaines régions conformément à la réglementation locale.

## 6. FICHE TECHNIQUE

Les données techniques sont valides en vertu des conditions ambiantes suivantes :

Utilisation en intérieur uniquement

Plage de température de fonctionnement +5 °C à +40 °C

Humidité relative: 10 % à 80 % à 31 °C sans condensation, diminution linéaire jusqu'à 50 % à 40 °C

Altitude : Jusqu'à 2 000 m

Puissance : Adaptateur courant alternatif 100-240 V 50/60 Hz et sortie 5 V CC (courant continu)

1 A ou 4 piles AA

Taux de pollution : 2

Variations de l'alimentation électrique : jusqu'à  $\pm 10\%$  de la tension nominale

## 6.1 Spécifications

TABLEAU 6-1. SPÉCIFICATIONS

Modèle	SKX123	SKX222	SKX422	SKX622	SKX1202	SKX2202	SKX421	SKX621	SKX2201	SKX6201	SKX8200
Capacité (g)	120	220	420	620	1200	2200	420	620	2200	6200	8200
Précision (g)	0.001	0.01	0.01	0.01	0.01	0.01	0.1	0.1	0.1	0.1	1
Répétabilité (Dev. Std.) (g)	0.002	0.01	0.01	0.01	0.02	0.02	0.1	0.1	0.1	0.1	1
Linéarité (g)	0.003	0.01	0.01	0.02	0.03	0.03	0.1	0.1	0.1	0.2	1
Masse d'étalonnage par intervalle*	100 g	200 g	200 g	300 g	1 kg	2 kg	200 g	300 g	2 kg	5 kg	8 kg
Masse d'étalonnage linéaire	50, 100 g	100, 200 g	200, 400 g	300, 600 g	500 g, 1 kg	1 kg, 2 kg	200, 400 g	300, 600 g	1 kg, 2 kg	3 kg, 6 kg	4 kg, 8 kg
Temps de stabilisation (sec.)	1,5	1		1,5		1					
Construction	Boîtier en ABS et plateau en 304 acier inoxydable										
Pare-vent	Oui	Non									
Plage de tare	Pleine capacité par soustraction										
Unités de pesage**	g, kg, N, oz, lb, lb: oz										
Modes d'application	Pesage, calcul de masse volumique, pesée molaire										
Plage de températures spécifiées	+10 °C à +40 °C à 10 % à 80 % Humidité relative, sans condensation										
Conditions de stockage	-20 °C à +55 °C à 10 % à 90 % Humidité relative, sans condensation										
Communication	RS232, Périphérique USB, Ethernet, Bluetooth***, Hôte USB (tous disponibles en tant qu'accessoire)										
Autonomie de la batterie (à 20 °C)	80 heures	120 heures	80 heures			120 heures			80hours	120 heures	
Type d'affichage	Rétro-éclairage par LCD : 6 chiffres 7 segments avec rétro-éclairage blanc										
Taille de l'écran	20 mm / 0,78 pouce en chiffres										
Taille du plateau (L x P)	Ø 93 mm / 3,7 pouces	Ø 120 mm / 4,7 pouces		170 x 140 mm / 6,7 x 5,5 pouces		Ø 120 mm / 4,7 pouces	170 x 140 mm / 6,7 x 5,5 pouces				
Dimensions d'balance (L x P x H)	202 x 222 x 103 mm / 8 x 8.7 x 4,1 in	202 x 224 x 54 mm / 8 x 8.8 x 2.1 in									
Dimensions d'expédition (L x P x H)	300 x 250 x 129 mm / 11,8 x 9,8 x 5,1 pouces										
Poids net	1 kg										
Poids d'expédition	1,6 kg										

**Remarque :**

\* Poids d'étalonnage sont inclus avec les modèles jusqu'à 620g capacité de certaines régions.

\*\* Les unités de pesage disponibles, les modes d'application et le kit d'interface en option varient en fonction des réglementations locales.

\*\*\* Kit Bluetooth est uniquement disponible dans certaines régions en fonction des réglementations locales.

**Capacité x Précision**

Modèle	SKX123	SKX222	SKX422	SKX622	SKX1202	SKX2202	SKX421	SKX621	SKX2201	SKX6201	SKX8200
Gramme (g)	120 x 0.001	220 x 0.01	420 x 0.01	620 x 0.01	1200 x 0.01	2200 x 0.01	420 x 0.1	620 x 0.1	2200 x 0.1	6200 x 0.1	8200 x 1
Kilogramme (kg)	/	/	/	/	1.2 x 0.00001	2.2 x 0.00001	/	/	2.2 x 0.0001	6.2 x 0.0001	8.2 x 0.001
Newton (N)	1.17679 x 0.00001	2.1574 x 0.0001	4.1188 x 0.0001	6.0801 x 0.0001	11.7679 x 0.0001	21.5744 x 0.0001	4.119 x 0.001	6.080 x 0.001	21.574 x 0.001	60.801 x 0.001	80.41 x 0.01
Once (oz)	4.23290 x 0.00005	7.7600 x 0.0005	14.8150 x 0.0005	21.8700 x 0.0005	42.3290 x 0.0005	77.6030 x 0.0005	14.815 x 0.005	21.870 x 0.005	77.600 x 0.005	218.700 x 0.005	289.25 x 0.05
Pound (lb)	/	/	/	1.36690 x 0.00005	2.64555 x 0.00005	4.85020 x 0.00005	/	1.3670 x 0.0005	4.8500 x 0.0005	13.6685 x 0.0005	18.080 x 0.005
Pound: Once (lb: oz)	/	/	/	1lb:5.8700oz x 0.0005oz	2lb:10.3290oz x 0.0005oz	4lb:13.6030oz x 0.0005oz	/	1lb:5.870oz x 0.005oz	4lb:13.600oz x 0.005oz	13lb:10.700oz x 0.005oz	18lb:1.25oz x 0.05oz

## 6.2 Drawings

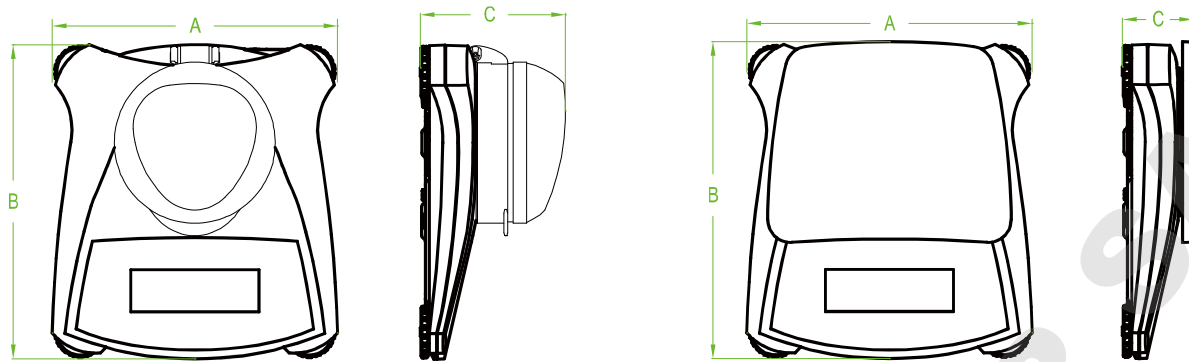





Figure 7.1 Dimensions principales

Modèle	A	B	C
avec cage de pesée	202 mm / 8,0 pouces	222 mm / 8,7 pouce	103 mm / 4,1 pouces
sans cage de pesée	202 mm / 8,0 pouces	224 mm / 8,8 pouces	54 mm / 2,1 pouces

## 6.3 Compliance :

La conformité aux normes suivantes est indiquée par la marque correspondante sur le produit.

Marquage	Standard
	Ce produit est conforme aux normes harmonisées applicables des directives européennes 2011/65 / UE (RoHS), 2014/30 / UE (CEM), 2014/35 / UE (LVD) et 2014/31 / UE (IPFNA). La déclaration de conformité de l'UE est disponible en ligne à <a href="http://www.ohaus.com/ce">www.ohaus.com/ce</a> .
	EN 61326-1
	CAN/CSA-C22.2 No. 61010-1 UL Std. No. 61010-1

### Avis important pour les instruments de pesage vérifiés dans l'UE

Lorsque l'appareil est utilisé dans le commerce ou en mode légalement contrôlé, il doit être mis en place, vérifié et scellé en conformité avec la réglementation locale concernant les poids et mesures. Il est de la responsabilité de l'acheteur de s'assurer que toutes les exigences légales applicables sont satisfaites.

Les appareils de pesage vérifiés sur le lieu de fabrication portent la marque métrologique supplémentaire suivante sur la plaque signalétique.

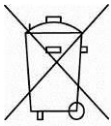


Les appareils de pesage à vérifier en deux étapes ne portent pas de marque métrologique supplémentaire sur la plaque signalétique. La seconde étape de validation de conformité doit être effectuée par un service des poids et mesures agréé.

Si une réglementation nationale limite la période de validité de la vérification, il incombe à l'utilisateur de s'assurer de l'actualisation de la vérification de l'appareil auprès de l'autorité agréée.

Comme les vérifications varient suivant les juridictions, l'utilisateur devra prendre contact avec l'organisme agréé local afin de s'informer.

## MISE AU REBUT



En conformité avec la Directive européenne 2002/96/CE relative aux déchets d'équipements électriques et électroniques (DEEE), cet appareil ne peut être éliminé avec les déchets ménagers. Cela vaut également pour les pays hors de l'Union européenne, à raison de leurs exigences spécifiques.

Bien vouloir mettre au rebut ce produit, conformément à la réglementation locale, au point spécifié pour les équipements électriques et électroniques. Pour toute question, communiquer avec l'autorité responsable ou le distributeur auprès duquel cet appareil a été acheté.

Si cet appareil devait être transmis à d'autres parties (pour un usage privé ou professionnel), le contenu de cette réglementation demeure applicable.

Pour obtenir des instructions d'élimination en Europe, se reporter à [www.OHAUS.com/weee](http://www.OHAUS.com/weee).

Merci pour de contribuer à la protection de l'environnement.

## Note FCC

Cet équipement a été testé et jugé conforme aux limites d'un dispositif numérique de classe B, conformément à la partie 15 du règlement du FCC. Ces limitations sont conçues pour fournir une protection raisonnable contre les interférences nuisibles dans une installation résidentielle. Cet équipement génère, utilise et peut émettre des radiofréquences. Si celui-ci n'est pas installé et utilisé conformément aux instructions, il peut provoquer des interférences dans les communications radio. Cependant, il n'y a aucune garantie que des interférences ne puissent pas survenir dans une installation particulière. Si cet équipement provoque des interférences compromettant la réception de la radio ou de la télévision, ce qui peut être vérifié en allumant et éteignant l'équipement, l'utilisateur est encouragé à essayer de corriger l'interférence par l'une ou plusieurs des mesures suivantes :

- Réorienter ou déplacer l'antenne de réception.
- Augmenter la distance entre l'équipement et le récepteur.
- Connecter l'équipement à une sortie sur un circuit différent de celui sur lequel est branché le récepteur connecté.
- Consulter le revendeur ou un technicien radio/TV qualifié.

## Note : Industry Canada

Cet appareil numérique classe B est conforme à l'ICES-003 canadien.

## Certification ISO 9001

En 1994, Ohaus Corporation, États-Unis, a reçu la certification ISO 9001 du Bureau Veritas Quality International

(BVQI), qui confirme que le système de gestion de la qualité de Ohaus est conforme aux spécifications de la norme ISO 9001. Le 21 juin 2012, Ohaus Corporation, USA, a reçu la certification de la norme ISO 9001:2008.

## GARANTIE LIMITÉE

Les produits Ohaus sont garantis contre des défauts matériels et vices de fabrication à partir de la date de livraison et durant toute la durée de la période de garantie. Pendant la période de garantie, Ohaus va réparer, ou, selon son propre choix, remplacer sans frais tout (tous) composant(s) qui s'avère(ent) défectueux, à condition que le produit soit retourné, port payé, à Ohaus.

Cette garantie ne s'applique pas, si le produit a été endommagé par accident ou utilisation incorrecte, exposé à des matériaux radioactifs ou corrosifs, si des corps étrangers ont pénétré à l'intérieur du produit ou après une maintenance ou modification réalisée par des intervenants n'appartenant pas à Ohaus. Au lieu de l'envoi en retour en due forme d'une carte d'enregistrement de la garantie, la période de garantie commence à la date de l'expédition au revendeur autorisé. Ohaus Corporation ne fournit aucune autre garantie expresse ou implicite. Ohaus Corporation décline toute responsabilité pour des dommages consécutifs.

Comme la législation relative aux garanties diffère d'un état à l'autre et d'un pays à l'autre, veuillez contacter Ohaus ou votre revendeur local Ohaus pour plus de détails.

**DOMINIQUE DUTSCHER SAS**

# 1. EINFÜHRUNG

Dieses Handbuch enthält Installations-, Betriebs- und Wartungsanleitung für die Scout SKX Waagen-Serien. Bitte lesen Sie das Handbuch bevor Sie die Waage benutzen.

## 1.1 Definition von Warnhinweisen und Symbolen

Sicherheitshinweise sind mit Warnhinweisen und Symbolen gekennzeichnet. Diese weisen auf Sicherheitsprobleme und Warnungen hin. Nichtbeachtung der Sicherheitshinweise kann zu Verletzungen, Schäden am Gerät, Fehlfunktionen und falschen Ergebnissen führen.

### Begriffsbedeutungen

<b>WARNUNG</b>	Weist auf eine gefährliche Situation mit mittlerem Risiko hin, die wenn sie nicht vermieden wird, möglicherweise zu Verletzungen oder Tod führen kann.
<b>VORSICHT</b>	Weist auf eine gefährliche Situation mit geringem Risiko hin, die zu Schäden am Gerät oder am Eigentum oder zu Verlust von Daten oder Verletzungen führen kann, wenn sie nicht vermieden wird.
<b>Achtung Hinweis</b>	Wichtige Informationen über das Produkt. Nützliche Informationen über das Produkt.

### Warnsymbole



Allgemeine Gefahr



Stromschlaggefahr

## 1.2 Sicherheitsvorkehrungen



**VORSICHT:** Lesen Sie alle Sicherheitshinweise vor der Installation und bevor Sie eine Verbindungen herstellen oder das Gerät warten. Nichtbeachtung dieser Hinweise kann zu Verletzungen und/oder Sachschäden führen. Bewahren Sie alle Anleitung zum späteren Nachschlagen auf.

- Überprüfen Sie, ob die lokale Netzspannung innerhalb der Bandbreite der Eingangsspannung liegt, die auf dem Datenetikett des Netzteils aufgedruckt ist.
- Verbinden Sie das Netzteil nur mit einer kompatiblen und geerdeten Steckdose.
- Stellen Sie die Waage nicht so, dass es schwierig ist, das Netzteil von der Steckdose zu trennen.
- Stellen Sie sicher, dass das Netzkabel nicht zu einem potenziellen Hindernis oder einer Stolperfalle wird.
- Dieses Gerät ist für den Gebrauch in Gebäuden vorgesehen und sollte nur in trockenen Räumen betrieben werden.
- Betreiben Sie das Gerät nur unter den in dieser Anleitung angegebenen Umgebungsbedingungen.
- Betreiben Sie das Gerät nicht in explosionsgefährdeten oder instabilen Umgebungen.
- Lassen Sie die Lasten nicht auf die Waagschale fallen.
- Verwenden Sie nur zugelassenes Zubehör und Peripheriegeräte.
- Nehmen Sie das Gerät vor Reinigungs- und Wartungsarbeiten vom Stromnetz.
- Reparaturen sollten nur von autorisiertem Personal durchgeführt werden.

# 2. INSTALLATION

## 2.1 Installieren der Komponenten

Schauen Sie auf die Abbildungen und Anweisungen unten, um die Komponenten zu identifizieren und zu sehen, wie Sie diese an Ihre Scout Waage montieren. Alle Komponenten müssen vor Verwendung der Waage zusammengebaut werden.

### 2.1.1 Lösen der Transportsperre

Lösen Sie die rote Transportsicherung, indem Sie den roten Zeiger zum Entriegeln um 90 Grad gegen den Uhrzeigersinn drehen.

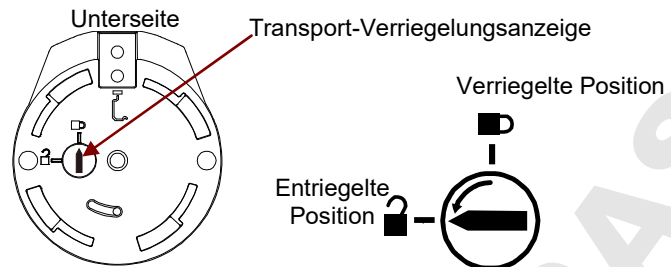


Abbildung 2-1. Transportsicherung

### 2.1.2 Installieren der Waagschale

Bei Waagen mit einer rechteckigen Waagschale wird diese wie gezeigt auf die Unterplattform gesetzt und gegen den Uhrzeigersinn gedreht bis sie einrastet. Runde Waagschalen werden gerade nach unten auf die Unterschale aufgesetzt.

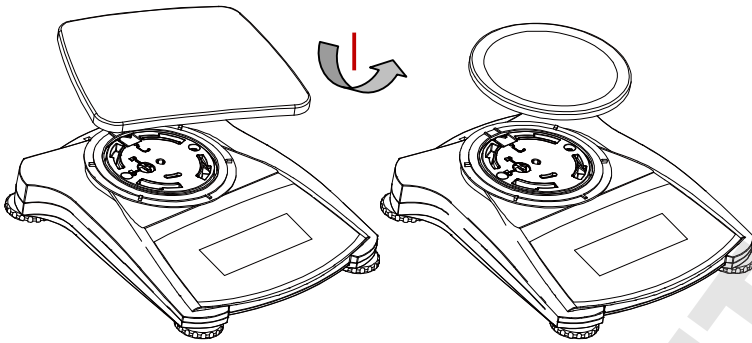


Abbildung 2-2. Waagschalen-Installation

### 2.2.3 Sicherheitsschlitz

Ein Sicherheitsschlitz befindet sich auf der Rückseite der Waage und ermöglicht, die Waage mit einem optionalen Kabel und Schlosszubehör zu sichern.

## 2.3 Stellplatz auswählen

Für eine optimale Leistung sollte die Scout Waage in einer sauberen, stabilen Umgebung verwendet werden. Verwenden Sie die Waage nicht in Umgebungen mit übermäßiger Zugluft, mit starken Temperaturschwankungen, in der Nähe von Magnetfeldern oder in der Nähe von Geräten, die Magnetfelder oder Vibrationen erzeugen.

## 2.4 Stromversorgung anschließen

### Netzadapter Installation

Wenn Batteriestrom nicht benötigt wird, wird zum Betrieb der Waage Wechselstrom verwendet. Schließen Sie zuerst das Netzteil (mitgeliefert) an der Rückseite der Waage an den Netzteilanschluss an, dann erst stecken Sie den Netzstecker in eine Steckdose.





Abbildung 2-4. Rück- und Unteransicht der Waage

**Batterieinstallation**

Setzen Sie die vier "AA" Batterien mit richtiger Polarität ein, so wie es im Batteriefach angezeigt ist.

**Hinweis:**

Nach dem Einschalten wird empfohlen, vor der Verwendung die Waage für mindestens 5 Minuten warm werden zu lassen.

**2.5 Anfängliche Kalibrierung**

Wenn die Waage zum ersten Mal installiert oder an eine andere Stelle bewegt wird, muss sie, um genaue Wiegeergebnisse zu gewährleisten, kalibriert werden.

Haben Sie die richtigen Kalibriergewichte zur Hand, bevor Sie mit der Kalibrierung beginnen. Anleitung zur Kalibrierung finden Sie im Abschnitt 3.3 Kalibriervorgang.

## 3. BETRIEB

### 3.1 Bedienelemente

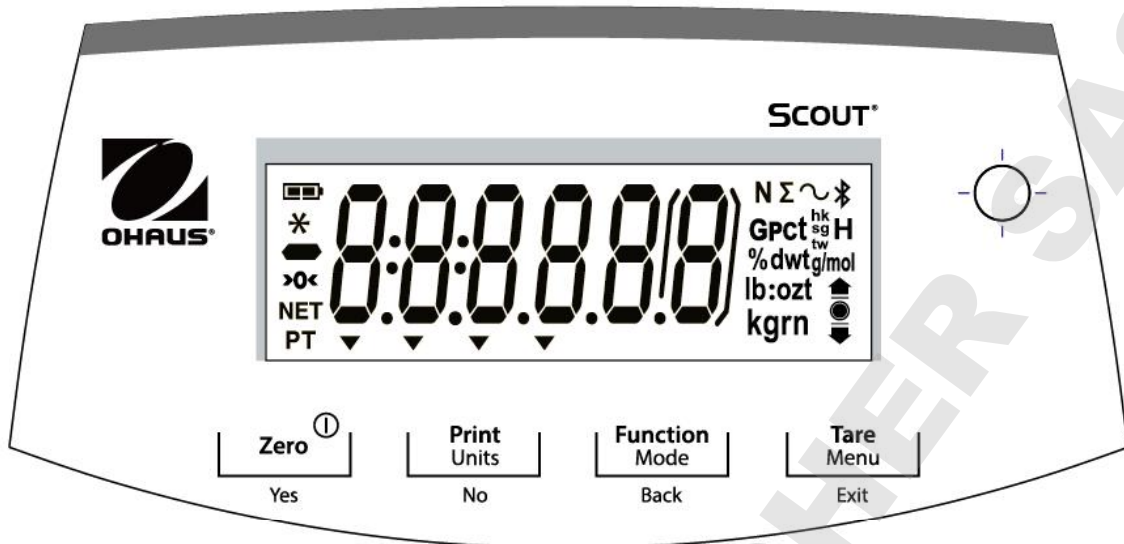


Abbildung 3-1. Scout Bedienfeld

TABELLE 3-1. Tastenfunktionen

Taste	Zero <sup>①</sup> Yes	Print Units No	Function Mode Back	Tare Menu Exit
Primärfunktion (Kurz drücken)	<b>Zero/Ein</b> Schaltet die Waage ein. Wenn eingeschaltet: Nullstellung	<b>Drucken</b> Sendet den aktuellen Wert an die ausgewählten COM-Ports, wenn AUTOPRINT auf Aus gestellt ist.	<b>Funktion</b> Initiiert einen Anwendungsmodus.	<b>Tara</b> Eingeben/deaktivieren eines Tara-Werts.
Sekundärfunktion (Lange drücken)	<b>Zero/Aus</b> Schaltet die Waage aus.	<b>Einheiten</b> Ändert die Wiegeeinheit.	<b>Modus</b> Ermöglicht die Änderung des Anwendungsmodus.	<b>Menü</b> Geht ins Benutzermenü.
Menüfunktion (Kurz drücken)	<b>Ja</b> Akzeptiert die aktuelle Einstellung auf dem Display.	<b>Nein</b> Geht weiter zum nächsten Menü oder Menüpunkt. Lehnt die aktuelle Einstellung auf dem Display ab und geht zur nächsten verfügbaren Einstellung weiter.	<b>Zurück</b> Geht zurück zum vorherigen Menüpunkt.	<b>Beenden</b> Beendet das Benutzermenü. Bricht die laufende Kalibrierung ab.

**Hinweise:** <sup>1</sup> Kurzes Drücken: Drücken für weniger als 1 Sekunde.

<sup>2</sup> Langes Drücken: Drücken und halten für länger als 2 Sekunden.



Abbildung 3-2. Scout Display

TABELLE 3-2. Display-Symbole

Artikel	Beschreibung	Artikel	Beschreibung
1	Akku-Ladesymbol	7	Zeiger-Symbole
2	Stabiles Gewicht	8	Symbol Kilogramm
3	Negatives Symbol	9	Symbol Pfund: Unze
4	Stabiler Nullwert	10	g/mol Symbol
5	Symbol Nettogewicht	11	G Symbol
6	Symbol Voreingestellte Tara	12	Newton, Bluetooth Symbole

### 3.2 Waage Ein/Aus

Um die Waage zu aktivieren, drücken und halten Sie die **Ein/Zero Aus**-Taste für 1 Sekunde. Die Waage führt einen Anzeigetest durch, zeigt kurz die Software-Version, und geht dann in den aktiven Wiegemodus.

Um die Waage zu deaktivieren, drücken und halten Sie die **Ein/Zero Aus**-Taste, bis AUS angezeigt wird.

### 3.3 Kalibriervorgang

Wenn die Waage zum ersten Mal betätigt wird, wird eine umfassende Kalibrierung empfohlen, um genaue Wiegeergebnisse zu gewährleisten. Vor der Durchführung der Kalibrierung stellen Sie sicher, dass Sie die entsprechenden Kalibriergewichte haben. Vergewissern Sie sich, dass sich der Eichschalter auf der Position entriegelt befindet.

Drücken und halten Sie **Menü** bis [MENÜ] (Menü) angezeigt wird. Wenn die Taste losgelassen wird, erscheint auf dem Display [C.R.L.]. Drücken Sie **Ja**, um zu akzeptieren. [SPAN] wird danach angezeigt. Drücken Sie **Ja**, um die Bereichskalibrierung zu beginnen.

[- - C - -] wird angezeigt, während der Nullwert gespeichert wird. Als nächstes zeigt das Display den Kalibrierungsgewichtswert. Drücken der **Nein**-Taste schaltet den Wert um. Legen Sie das angegebene Kalibriergewicht auf die Waagschale. [- - C - -] wird angezeigt, während der Wert gespeichert wird. Das Display zeigt [done] wenn die Kalibrierung erfolgreich war. Die Waage kehrt zum vorherigen Anwendungsmodus zurück und ist einsatzbereit.

### 3.4 Wiegemodus

Wiegemodus ist die Werkseinstellung.

1. Falls erforderlich, drücken und halten Sie **Modus** bis [LWE IGH] (Wiegen) angezeigt wird.
2. Stellen Sie einen leeren Behälter auf die Schale und drücken Sie auf **Tara**.
3. Fügen Sie der Schale oder dem Behälter eine Probe hinzu. Das Display zeigt das Gewicht der Probe.

### 3.5 Dichte-Modus

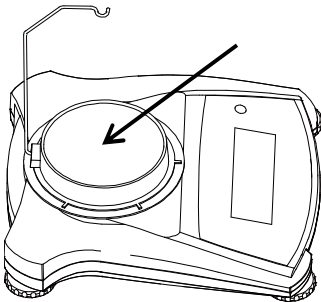
Dieser Modus ermöglicht es einem Benutzer, der das Dichte-Kit verwendet, das spezifische Gewicht einer Probe zu berechnen. Der Dichte-Modus ist eingeleitet, wenn "G" und die aktuelle Einheit angezeigt werden.

Die Probe wird in Luft auf dem Haken aufgehängt und anschließend in Wasser gewogen. Die Formel lautet:

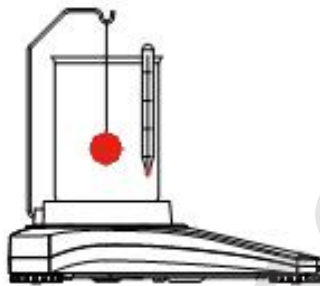
$$\frac{\text{Trockengewicht}}{\text{Trockengewicht} - \text{Nassgewicht}}$$

#### Vorbereitung

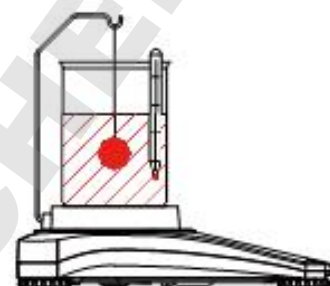
Bereiten Sie die Waage wie unten links dargestellt vor: Entfernen Sie die Waagschale, bringen Sie den Haken an und installieren Sie das Glasbechergestell (der Glasbecher wird nicht mitgeliefert). Drücken Sie dann die **Zero/Ein**-Taste, um die Waage einzuschalten.



Vorbereitung  
Glasbechergestell



Luftgewicht



Nassgewicht

Abbildung 3-3. Dichtemessung

#### Dichtemessung

1. Drücken und halten Sie **Modus** bis [SPEC.Gr] angezeigt wird. [A or. LUK] wird danach angezeigt.
2. Hängen Sie wie oben beschrieben die Probe an den Haken und drücken Sie auf **Ja**, um den Trockengewichtswert zu speichern. [LU.LUK] wird danach angezeigt.
3. Hängen Sie die Probe in Wasser und drücken Sie auf **Ja**, um den Nassgewichtswert zu speichern. Der Wert des spezifischen Gewichts wird nun angezeigt und "G" blinkt, während das Symbol Einheit ausgeschaltet ist.

**Hinweise:** Spezifisches Gewicht hat keine Maßeinheit. Für große Proben empfiehlt es sich, anstelle der oben gezeigten Anordnung Unterflurwiegen (siehe Seite DE-10) durchzuführen.

### 3.6 Mol Wiegemodus

Um aus jeder Anwendung in den Mol-Wiegemodus zu gelangen, drücken und halten Sie die Taste **Modus** bis [MOL] angezeigt wird. Wenn die Taste **Modus** losgelassen wird, zeigt das Display [CLr.M75].

1. Drücken Sie die Taste **Ja**, um die gespeicherten Molmasse zu löschen. Drücken Sie die Taste **Nein**, um die bestehende Molmasse zurückzurufen. Falls keine Molmasse gespeichert wurde, wird die [CLr.M75] Anzeige übersprungen und die Eingabe einer Molmasse erforderlich.
  2. Wenn eine Molmasse gespeichert ist, wird die aktuelle Molmasse angezeigt und blinkt.
  3. Drücken Sie die Taste **Nein**, um mit der Bearbeitung der Molmasse zu beginnen.
  5. Drücken Sie die Taste **Nein**, um die blinkende Ziffer zu erhöhen.
  6. Drücken Sie die Zurück-Taste, um den blinkenden Wert zu verringern.
  7. Drücken Sie die Taste **Ja**, um den Wert zu bestätigen und um eine Stelle nach rechts zu rücken.
- Hinweise: Wenn die Einstellung den Grenzwert überschreitet, kehrt die Anzeige zu dem zuvor gespeicherten Wert zurück.

Die linke Zahl kann auf 0, 1, 2, 3, 4, 5, 6, 7, 8, 9, - eingestellt werden. Alle anderen Zahlen können auf 0, 1, 2, 3, 4, 5, 6, 7, 8, 9 eingestellt werden.

Die verfügbaren Einstellungen reichen von 0,01 bis 999,99.



## 4.3 Menü Einstellungen

Gehen Sie in dieses Menü, um die Parameter der Waage einzustellen.

Zurücksetzen:	<b>Nein</b> , Ja
Filter:	Niedrig, <b>Mittel</b> , Hoch
Automatische Nullverfolgung:	aus, <b>0,5d</b> , 1d, 3d
Stabil:	0,5 d, <b>1d</b> , 2d, 5d
Hintergrundbeleuchtung:	aus, ein, <b>Auto</b>
Auto Tara:	<b>aus</b> , ein, ein-Acc
Auto-Aus:	<b>aus</b> , 1, 5, 10
Einstellung beenden:	Menü verlassen

**Hinweis:** Fett repräsentiert immer die Standard-Werkseinstellung.

### Zurücksetzen [**rESEt**]

Setzen Sie das Einstellungsmenü auf die Werkseinstellungen zurück.

NEIN = nicht zurücksetzen

JA = zurücksetzen

### Filter [**F .LLEr**]

Stellen Sie die Stärke der Signalfilterung ein.

NIEDRIG = schnellere Stabilisierungszeit mit weniger Stabilität.

MITTEL = normale Stabilität und Stabilisierungszeit

HOCH = größere Stabilität, langsamere Stabilisierungszeit

### AZT [**AZt**]

Stellen Sie die automatische Nullverfolgungsfunktion ein.

AUS = deaktiviert

0,5d = das Display wird Null beibehalten bis eine Änderung von 0,5 Divisionen pro Sekunde überschritten wurde.

1d = das Display wird Null beibehalten bis eine Änderung von 1 Division pro Sekunde überschritten wurde.

3d = das Display wird Null beibehalten bis eine Änderung von 3 Divisionen pro Sekunde überschritten wurde.

### Stabiler Bereich [**StAbLE**]

Stellen Sie den Betrag ein, den der Messwert variieren darf.

0,5d = 0,5 Waagen-Strichteilung

1d = 1 Waagen-Strichteilung

2d = 2 Waagen-Strichteilungen

5d = 5 Waagen-Strichteilungen

### Hintergrundbeleuchtung [**b.L .9hE**]

Stellen Sie die Hintergrundbeleuchtungsfunktion ein.

AUS = immer ausgeschaltet

EIN = immer an

AUTO = schaltet sich ein, wenn eine Taste gedrückt wird oder sich das angezeigte Gewicht verändert.

**Hinweis:** Bei angeschlossenem Netzteil ist die Hintergrundbeleuchtung immer an.

### Auto Trieren [**A.tArE**]

Stellen Sie die automatische Trierfunktion ein.

AUS = Automatisches Trieren ist deaktiviert

EIN = das erste stabile Bruttogewicht wird tariert

EIN-ACC = stabile Bruttolasten werden innerhalb der akzeptierten Grenzwerte tariert (im Kontrollwiegemodus)

### Auto aus [**A.OFF**]

Stellen Sie die automatische Abschaltfunktion ein.

AUS	= deaktiviert
1	= schaltet sich nach 1 Minute Inaktivität aus
5	= schaltet sich nach 5 Minuten Inaktivität aus
10	= schaltet sich nach 10 Minuten Inaktivität aus

#### Einstellung beenden [End]

Weiter zum nächsten Menü oder zurück zum Anfang des aktuellen Menüs.

## 4.4 Menümodus

Dieses Menü aktiviert Modi, so dass sie für die Verwendung mit der Modus-Taste zur Verfügung stehen werden.

Zurücksetzen:	<b>Nein</b> , Ja
Wiegen:	aus, <b>ein</b>
Dichte:	aus, <b>ein</b>
Mole:	aus, <b>ein</b>
Modus beenden:	Menü verlassen

#### Zurücksetzen [RESET]

Setzen Sie das Menü Modus auf die Werkseinstellung zurück.

NEIN	= Nicht zurücksetzen
JA	= Zurücksetzen

#### Wiegen [WEIGH]

Legen Sie den Status fest.

AUS	= deaktiviert
EIN	= aktiviert

#### Dichte [SPEC.GR]

Legen Sie den Status fest.

AUS	= deaktiviert
EIN	= aktiviert

#### Mol [MOLE]

Setzen Sie den Sub-Modus

AUS	= deaktiviert
EIN	= aktiviert

#### Beenden des Modus [End]

Gehen Sie zum nächsten Menü oder kehren Sie zum Anfang des aktuellen Menüs zurück.

## 4.5 Einheiten Menü

Dieses Menü aktiviert Einheiten so, dass sie mit der Taste **Einheiten** zugänglich werden. Die Einheiten müssen im Menü "eingeschaltet" werden, um aktiv zu sein.

**Hinweis:** Verfügbare Einheiten variieren je nach Modell und lokalen Vorschriften.

g:	aus, <b>ein</b>
kg:	<b>aus</b> , ein
N:	<b>aus</b> , ein
oz:	<b>aus</b> , ein
lb:	<b>aus</b> , ein
lb:oz:	<b>aus</b> , ein
Einheit beenden:	Menü verlassen

## 4.6 Zusätzliche Funktionen

### Unterflurwiegehaken

Die Scout Waage ist mit einem Unterflurwiegehaken für Unterflurwägungen ausgerüstet. Die Unterflurwiegehaken befindet sich wie unten gezeigt an der Rückseite der Batterieabdeckung.

Um diese Funktion zu verwenden, entfernen Sie zum Wiegen die rote Schutzabdeckung unterhalb der Öffnung.



**Achtung:** Bevor Sie die Waage drehen, entfernen Sie die Waagschale und Waagschalhalterung (falls vorhanden) und stellen Sie die Transportsicherung auf die Position "verriegelt", um Schäden zu vermeiden.



Abbildung 4-2. Wiegen unterhalb

Die Waage kann mit Laborständern oder einer anderen geeigneten Methode gestützt werden. Stellen Sie sicher, dass die Waage eben und sicher steht, und dass die Transportsicherung freigegeben wurde. Schalten Sie die Waage ein, dann verwenden Sie eine Schnur oder einen Draht, um die Gegenstände zu befestigen, die gewogen werden sollen.

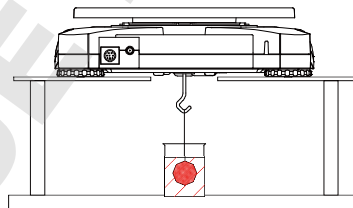


Abbildung 4-3. Unterflurwiege-Anwendung

### Anschließen der Schnittstelle

Verwenden Sie ein optionales Schnittstellenverbindungs-Kit, um die Waage entweder mit einem Computer oder einem Drucker zu verbinden.

Die folgenden Schnittstellen-Kits sind als Zubehör erhältlich:  
RS232, USB Host, USB-Gerät, Ethernet, Bluetooth®.

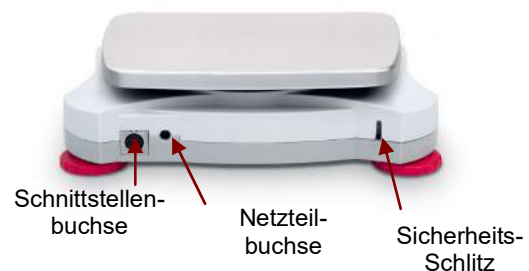


Abbildung 4-3. Rückseite der Waage

\* Schnittstellen-Kits können nach den örtlichen Bestimmungen variieren.

Bluetooth® Warenzeichen und Logos sind eingetragene Warenzeichen der Bluetooth SIG, Inc. und die Verwendung dieser Marken durch OHAUS erfolgt unter Lizenz.



## 5. INSTANDHALTUNG

### 5.1 Reinigung



**WARNUNG:** Stromschlaggefahr. Trennen Sie das Gerät während der Reinigung von der Stromversorgung.

Das Gehäuse kann wenn nötig mit einem feuchten Tuch und einem milden Reinigungsmittel gereinigt werden.



**Achtung:** Verwenden Sie **keine** Lösungsmittel, Chemikalien, Alkohol, Ammoniak oder Scheuermittel, um damit das Gehäuse oder Bedienfeld zu reinigen.

### 5.2. Fehlerbehebung

In der folgenden Tabelle finden Sie die am häufigsten auftretenden Probleme und ihre möglichen Ursachen sowie Lösungsmöglichkeiten.

Wenn das Problem weiterhin besteht, wenden Sie sich an OHAUS oder Ihren autorisierten Händler.

TABELLE 5-1.

Symptom	Mögliche Ursache
Lässt sich nicht einschalten	Zur Waage gelangt kein Strom
Schlechte Genauigkeit	Unsachgemäße Kalibrierung Instabiles Umfeld
Kann nicht kalibrieren	Sicherheitsschalter in Verriegelungsposition
Err B.1	Gewicht überschreitet den zulässigen Nullbereich.
Err B.2	Gewicht unterschreitet den zulässigen Nullbereich.
Err B.3	Überlast (Gewicht übersteigt die Nennkapazität)
Err B.4	Unterlast (Waagschale entfernt)
Err B.5	Tara außerhalb des Bereichs
Err B.6	Angezeigter Wert >999999 (möglich im Modus Summieren)
rEF.Err	Stückzählen oder Prozentfehler - Probengewicht <1d. Waage zeigt Fehler, beendet dann Stückzählung oder geht auf [CLr.APU].
Lo.rEF	Prozent Referenzgewicht oder APW ist für genaue Ergebnisse zu niedrig
CAL E	Kalibrierung gescheitert.
USb.Err	Kann Menüs und Anwendungsdateien auf USB-Medium nicht finden.

### 5.3 Service-Informationen

Wenn der Abschnitt zur Fehlerbehebung Ihr Problem nicht löst oder beschreibt, kontaktieren Sie Ihren autorisierten OHAUS Service-Agent. Für Hilfe oder um den technischen Support in den USA zu erreichen, rufen Sie von 8.00 bis 17.00 Uhr EST. gebührenfrei 1-800-672-7722 ext. 7852 an. Ein OHAUS Produktservice-Spezialist wird Ihnen zur Verfügung stehen, um Hilfe zu leisten. Außerhalb der USA besuchen Sie bitte unsere Website, [www.ohaus.com](http://www.ohaus.com), um eine OHAUS Niederlassung in Ihrer Nähe zu finden.

## 5.4 Zubehör

TABELLE 5-2. ZUBEHÖR

BESCHREIBUNG	Artikelnummer	BESCHREIBUNG	Artikelnummer
RS232-Kit	30268982	Stapel-Kit, x1	30268988
USB-Host Kit	30268983	Spezifisches Gewicht-Kit	30269020
USB-Gerät Kit	30268984	Hilfsanzeige-Kit	30269019
Bluetooth-Kit*	30268985	Tragetasche	30269021
Ethernet-Kit	30268986	Arbeitsschutzabdeckung	30269022
Stapel-Kit, x6	30268987	Drucker und Kabel	Kontakt OHAUS

Hinweis: \*Bluetooth-Kit ist nur in bestimmten Regionen und gemäß der örtlichen Bestimmungen verfügbar.

## 6. TECHNISCHE DATEN

Die technischen Daten gelten unter den folgenden Umgebungsbedingungen:

Nur im Innenbereich verwenden

Betriebstemperaturbereich: +5 ° C bis +40 ° C

Relative Luftfeuchtigkeit: 10% bis 80% bei 31 ° C, linear abnehmend bis 50% bei 40 ° C, nicht kondensierend

Höhe: Bis zu 2000 m

Stromversorgung: Wechselstromadapter Eingang 100-240V 50/60 Hz und Ausgang 5V DC 1 A oder 4 AA-Batterien

Verschmutzungsgrad: 2

Hauptversorgungsspannungsschwankungen: bis zu ± 10% der Nennspannung

### 6.1 Spezifikationen

TABELLE 6-1. TECHNISCHE DATEN

Modell	SKX123	SKX222	SKX422	SKX622	SKX1202	SKX2202	SKX421	SKX621	SKX2201	SKX6201	SKX8200
Kapazität (g)	120	220	420	620	1200	2200	420	620	2200	6200	8200
Ablesbarkeit (g)	0.001	0.01	0.01	0.01	0.01	0.01	0.1	0.1	0.1	0.1	1
Wiederholbarkeit (Std. Bez.) (g)	0.002	0.01	0.01	0.01	0.02	0.02	0.1	0.1	0.1	0.1	1
Linearität (g)	0.003	0.01	0.01	0.02	0.03	0.03	0.1	0.1	0.1	0.2	1
Bereichskalibrierungsmassen*	100 g	200 g	200 g	300 g	1 kg	2 kg	200 g	300 g	2 kg	5 kg	8 kg
Linearitätskalibrierungsmassen	50, 100 g	100, 200 g	200, 400 g	300, 600 g	500 g, 1 kg	1 kg, 2 kg	200, 400 g	300, 600 g	1 kg, 2 kg	3 kg, 6 kg	4 kg, 8 kg
Stabilisierungszeit	1.5	1		1.5		1					
Konstruktion	ABS-Gehäuse und 304 Edelstahl-Waagschale										
Windschutz	Ja	Nein									
Tarierbereich	Volle Kapazität durch Subtraktion										
Wiegeeinheiten**	g, kg, N, oz, lb, lb: oz										
Anwendungsmodi	Wägen, Dichtebestimmung, Molwiegen										
Akkubetriebszeit (bei 20 ° C)	80 Stunden	120 Stunden	80 Stunden				120 Stunden			80 Stunden	120 Stunden
Spezifizierter Temperaturbereich	+10 ° C bis +40 ° C bei 10% bis 80% Relative Luftfeuchtigkeit, nicht kondensierend										
Lagerbedingungen	-20 ° C bis +55 ° C bei 10% bis 90% Relative Luftfeuchtigkeit, nicht kondensierend										
Kommunikation	RS232, USB-Gerät, Ethernet, Bluetooth***, USB Host (alle als Zubehör erhältlich)										
Anzeigetyp	Hintergrund beleuchtete LCD: 6-stelliges 7-Segment mit weißer LED Hintergrundbeleuchtung										
Displaygröße	20 mm / 0,78 Zoll Ziffern										
Waagschalengröße (B x T)	Ø 93mm	Ø 120 mm			170 x 140 mm		Ø 120 mm	170 x 140 mm			
Geräteabmessungen	202 x 222 x 103 mm	202 x 224 x 54 mm									

Versandabmessungen (B x T x H)	300 x 250 x 129 mm
Nettogewicht	1 kg
Versandgewicht	1,6 kg

**Hinweis:**

\* Kalibriergewichte sind bei Modellen bis 620g Kapazität in bestimmten Regionen im Lieferumfang enthalten.

\*\* Verfügbare Wiegeeinheiten, Anwendungsmodi und optionale Schnittstellenkits variieren abhängig von örtlichen Vorschriften.

\*\*\* Bluetooth Installationssatz ist nur in bestimmten Regionen nach den örtlichen Vorschriften verfügbar.

**Kapazität und Ablesbarkeit**

Modell	SKX123	SKX222	SKX422	SKX622	SKX1202	SKX2202	SKX421	SKX621	SKX2201	SKX6201	SKX8200
Gramm (g)	120 x 0,001	220 x 0,01	420 x 0,01	620 x 0,01	1200 x 0,01	2200 x 0,01	420 x 0,1	620 x 0,1	2200 x 0,1	6200 x 0,1	8200 x 1
Kilogramm (kg)	/	/	/	/	1,2 x 0,00001	2,2 x 0,00001	/	/	2,2 x 0,0001	6,2 x 0,0001	8,2 x 0,001
Newton (N)	1,17679 x 0,00001	2,1574 x 0,0001	4,1188 x 0,0001	6,0801 x 0,0001	11,7679 x 0,0001	21,5744 x 0,0001	4,119 x 0,001	6,080 x 0,001	21,574 x 0,001	60,801 x 0,001	80,41 x 0,01
Unze (oz)	4,23290 x 0,00005	7,7600 x 0,0005	14,8150 x 0,0005	21,8700 x 0,0005	42,3290 x 0,0005	77,6030 x 0,0005	14,815 x 0,005	21,870 x 0,005	77,600 x 0,005	218,700 x 0,005	289,25 x 0,05
Pfund (lb)	/	/	/	1,36690 x 0,00005	2,64555 x 0,00005	4,85020 x 0,00005	/	1,3670 x 0,0005	4,8500 x 0,0005	13,6685 x 0,0005	18,080 x 0,005
Pfund: Unze (lb: oz)	/	/	/	1lb:5,8700oz x 0,0005oz	2lb:10,3290oz x 0,0005oz	4lb:13,6030oz x 0,0005oz	/	1lb:5,870oz x 0,005oz	4lb:13,600oz x 0,005oz	13lb:10,700oz x 0,005oz	18lb:1,25oz x 0,05oz

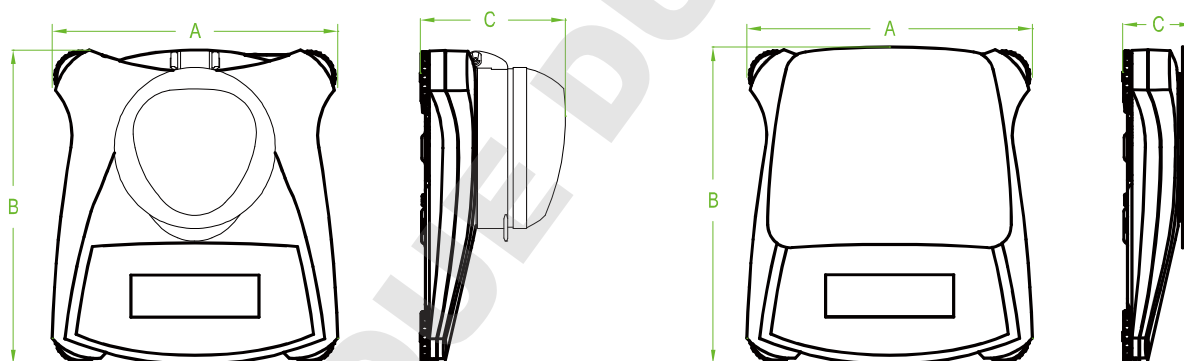
**6.2 Zeichnungen**



Abbildung 7.1 Abmessungen

Modell	A	B	C
mit Windschutz	202 mm	222 mm	103 mm
ohne Windschutz	202 mm	224 mm	54 mm

**6.3 Normenkonformität**

Konformität mit den folgenden Normen wird durch die entsprechende Markierung auf dem Produkt angezeigt.

Kennzeichnung	Standard
CE	Dieses Produkt entspricht den geltenden harmonisierten Normen der EU-Richtlinien 2011/65/EU (RoHS), 2014/30/EU (EMV), 2014/35/EU (LVD) und 2014/31/EU (NAWI). Die EU-Konformitätserklärung ist im Internet unter <a href="http://dmx.ohaus.com/WorkArea/showcontent.aspx?id=4294975717">http://dmx.ohaus.com/WorkArea/showcontent.aspx?id=4294975717</a>

	verfügbar.
	EN 61326-1
	CAN/CSA-C22.2 No. 61010-1 UL Std. No. 61010-1

### Wichtiger Hinweis für geeichte Waagen in der EU

Wenn die Waage im Handel oder in gesetzlich kontrollierten Anwendungen verwendet wird, muss sie eingestellt, geeicht und verplombt werden entsprechend der lokalen Regulierungen über Gewichte und Maße. Der Käufer haftet dafür, dass alle gesetzlichen Anforderungen erfüllt sind.

Wägeinstrumente, die am Herstellungsort verifiziert werden, tragen diese Marke auf dem Datenschild.



Bei Wägeinstrumenten, die in zwei Phasen verifiziert werden müssen, befindet sich auf dem Schild keine Zusatzmarkierung. Die zweite Phase der anfänglichen Verifizierung muss durch nationale Behörden für Maße u. Gewichte durchgeführt werden.

Falls der Gültigkeitszeitraum der Verifizierung durch nationale Vorschriften eingeschränkt wird, muss der Benutzer des Wägeinstruments die Neuverifizierungsfrist streng einhalten und die entsprechenden Behörden für Maße und Gewichte informieren.

Der Käufer muss seine lokalen Behörden für Maße und Gewichte anfragen, wenn er die Anforderungen nicht kennt, da sie vom Land zu Land unterschiedlich sind.

### VERFÜGUNG

In Übereinstimmung mit der europäischen Richtlinie 2002/96/EG für Elektro- und Elektronik-Altgeräte (WEEE) darf dieses Gerät nicht mit dem Hausmüll entsorgt werden. Dies gilt auch für Länder außerhalb der EU, nach deren jeweiligen speziellen Anforderungen.



Bitte entsorgen Sie dieses Produkt gemäß den örtlichen Bestimmungen bei einer ausgewiesenen Sammelstelle für elektrische und elektronische Geräte. Wenn Sie irgendwelche Fragen haben, kontaktieren Sie bitte die zuständige Behörde oder den Händler, bei dem Sie dieses Gerät erworben haben.

Sollte dieses Gerät an andere Parteien (für private oder berufliche Nutzung) übergeben werden, muss der Inhalt dieser Verordnung ebenfalls weitergegeben werden.

Anweisungen zur Entsorgung in Europa finden Sie unter [www.ohaus.com](http://www.ohaus.com).

Vielen Dank für Ihren Beitrag zum Umweltschutz.

### FCC-Hinweis

Dieses Gerät wurde getestet und erfüllt gemäß Teil 15 der FCC-Bestimmungen die Grenzwerte für ein Gerät der Klasse B. Diese Grenzwerte sollen in einer Wohnumgebung einen angemessenen Schutz gegen störende Interferenzen gewährleisten. Dieses Gerät erzeugt und verwendet Hochfrequenzenergie und wenn es nicht in Übereinstimmung mit den Anweisungen installiert und verwendet wird, kann es Störungen des Funkverkehrs verursachen. Es gibt

jedoch keine Garantie, dass bei einer bestimmten Installation keine Störungen auftreten. Falls dieses Gerät Störungen des Radio- oder Fernsehempfangs verursacht, die mittels Ein- und Ausschalten des Gerätes dieses als Störquelle vermuten lassen, sollte der Benutzer versuchen, die Störungen durch eine oder mehrere der folgenden Maßnahmen zu beseitigen:

- Richten Sie die Empfangsantenne anders aus.
- Vergrößern Sie den Abstand zwischen dem Gerät und dem Empfänger.
- Schließen Sie das Gerät an eine andere, vom Stromkreis des Empfängers unabhängige Steckdose an.
- Bitten Sie den Händler oder einen erfahrenen Radio-/Fernsehtechniker um Hilfe.

**Industriehinweis für Kanada**

Dieses Klasse B Digitalgerät ist konform mit dem kanadischen ICES-003.

**ISO 9001 Registrierung**

Ohaus Corporation, USA wurde 1994 von BureauVeritas Quality International (BVQI) die ISO 9001 Zertifizierung verliehen. Die Zertifizierung bestätigt, dass das Qualitätsmanagementsystem von Ohaus die Anforderungen für den ISO 9001 Standard erfüllt. Am 21 Juni 2009 wurde Ohaus Corporation, USA für den ISO 9001:2008 Standard erneut zertifiziert.

## BESCHRÄNKTE GARANTIE

Ohaus gewährt für Produkte ab Datum der Auslieferung und über die Dauer der Garantiezeit eine Garantie auf die Freiheit von Material- und Herstellungsmängeln. Während der Garantiezeit repariert oder ersetzt Ohaus wahlweise alle Komponenten, die Defekte aufweisen, kostenlos unter der Voraussetzung, dass das Produkt freigemacht an Ohaus zurückgesendet wird.

Diese Garantie ist ungültig, wenn das Produkt versehentlich oder missbräuchlich beschädigt oder radioaktiven oder zersetzenden Stoffen ausgesetzt wurde, Fremdstoffe ins Innere des Produktes eingedrungen sind, oder wenn der Defekt aus einer nicht von Ohaus durchgeführten Modifikation oder Serviceleistung resultiert. Falls keine ausgefüllte Garantiekarte vorliegt, beginnt die Garantiezeit mit dem Datum der Auslieferung an den autorisierten Händler. Darüber hinaus gewährt Ohaus Corporation weder eine ausdrückliche noch eine implizierte Garantie. Ohaus Corporation haftet nicht für Folgeschäden.

Da die gesetzlichen Rahmenbedingungen zur Garantie von Staat zu Staat unterschiedlich sind bitten wir Sie, Ohaus oder Ihren örtlichen Ohaus Händler für genauere Informationen zu kontaktieren.

DOMINIQUE DUTSCHKE

# 1. INTRODUZIONE

Il presente Manuale contiene istruzioni per l'installazione, il funzionamento e la manutenzione per le Bilance di Serie Scout SKX. Si prega di leggere il Manuale completamente prima di utilizzare la bilancia.

## 1.1 Definizione dei Segnali di Avvertimento e Simboli

Le note di Sicurezza sono segnate con parole di segnali e simboli di avvertimento. Queste mostrano problemi di sicurezza e di avvertimenti. Ignorando le note di sicurezza può risultare in lesioni personali, danneggiamenti allo strumento, malfunzioni e risultati falsi.

### Parole di Segnali

<b>AVVERTIMENTO</b>	Per situazioni pericolose con medio rischio, possibilmente risultanti con lesioni o morte, se non evitate.
<b>PRECAUZIONE</b>	Per situazioni pericolose con basso rischio, risultanti in danneggiamenti al dispositivo o ai beni o nella perdita dei dati, o lesioni, se non evitate.
<b>Attenzione</b>	Per informazioni importanti sul prodotto.
<b>Nota</b>	Per informazioni utili sul prodotto.

### Simboli di avvertimento



Pericolo Generale



Pericolo di Scossa Elettrica

## 1.2 Precauzioni di Sicurezza



**PRECAUZIONE:** Leggere tutti gli avvertimenti di sicurezza prima di installare, eseguire collegamenti o manutenzione di questa attrezzatura. Il mancato rispetto di questi avvertimenti potrebbe causare lesioni personali e/o danneggiamenti ai beni. Tenere tutte le istruzioni per futuri riferimenti.

- Controllare che l'alimentazione elettrica CA locale sia entro la gamma di tensione d'ingresso stampata sull'etichetta dei dati dell'adattatore CA.
- Collegare solamente l'adattatore CA a un'uscita di messa a terra elettrica compatibile.
- Non collocare la bilancia in modo che sia difficile di scollegare l'adattatore CA dal recipiente dell'alimentazione elettrica.
- Assicurarsi che il cavo dell'alimentazione elettrica non dovesse essere un potenziale ostacolo o un pericoloso inciampo.
- Questa attrezzatura è intesa per uso interno e dovrebbe essere utilizzata solamente in luoghi asciutti.
- Utilizzare l'attrezzatura solamente sotto condizioni ambientali specificate nelle istruzioni dell'utente
- Non utilizzare l'attrezzatura in ambienti pericolosi o instabili.
- Non far cadere il piatto di pesata della bilancia.
- Utilizzare solamente accessorie e periferiche approvati.
- Scollegare l'alimentazione elettrica dall'attrezzatura prima di pulirla o di eseguire revisione.
- La revisione deve essere eseguita da personale autorizzato.

# 2. INSTALLAZIONE

## 2.1 Installazione dei Componenti

Fare riferimento alle illustrazioni e istruzioni qui di seguito per identificare e montare la vostra bilancia Scout con i propri componenti. Tutti i componenti devono essere assemblati prima di utilizzare la bilancia.

## 2.1.1 Liberare il Blocco Spedizione

Liberare il blocco trasporto rosso girando il puntatore rosso di 90 gradi in senso antiorario per sbloccare.

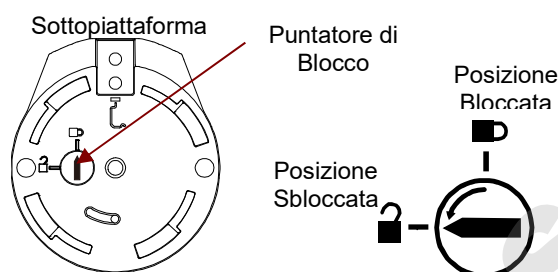


Figura 2-1. Blocco Trasporto

## 2.1.2 Installazione del piatto di pesata della bilancia

Nelle bilance con piatto di pesata rettangolare, questo è posto sulla sotto-piattaforma come mostrato e ruotato in senso antiorario finché si blocchi. Piatti di pesata tondi sono posti direttamente sul sottopiatto di pesata.

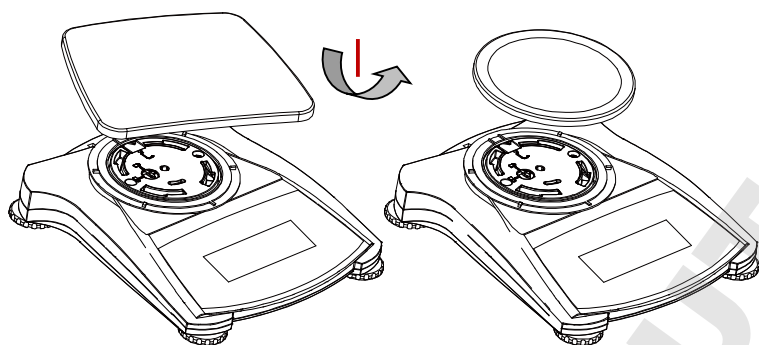


Figura 2-2. Installazione del piatto di pesata

## 2.2.3 Fessura di Sicurezza

Esiste una fessura di sicurezza nel retro della bilancia consentendo alla stessa di essere fissata con una corda a scelta e accessorio di bloccaggio.

## 2.3 Selezionare la Posizione

Per un miglior rendimento, la bilancia Scout deve essere utilizzata in un pulito e stabile ambiente. Non utilizzare la bilancia in ambienti con eccessive correnti d'aria, con rapidi cambiamenti di temperatura, presso campi magnetici o presso attrezzature che generano campi magnetici, o vibrazioni.

## 2.4 Collegamento all'Alimentazione

### Installazione dell'Adattatore CA

L'alimentazione elettrica CA è utilizzata per alimentare la bilancia quando l'alimentazione elettrica della batteria non è richiesta. In primo luogo, collegare l'Adattatore CA (fornito) all'ingresso del connettore di alimentazione dell'Adattatore nel retro della bilancia e quindi collegare la spina CA a una presa elettrica.



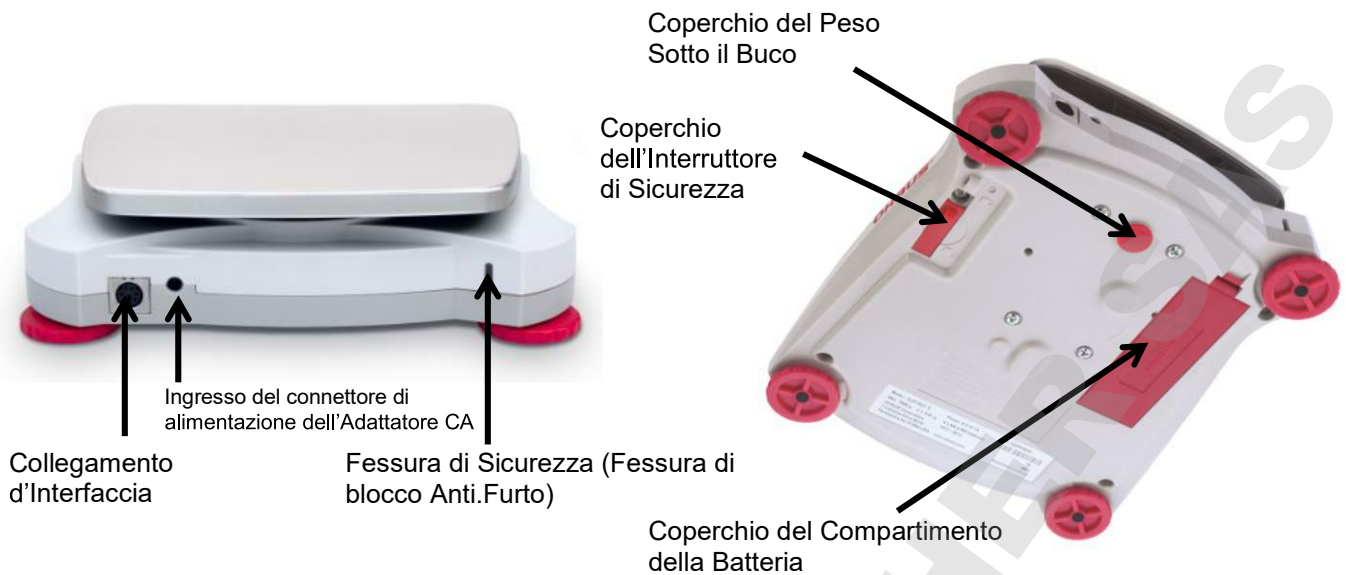


Figura 2-3. Vista Retro e Sotto la bilancia

### Installazione della Batteria

Installare le quattro batterie "AA" con polarità come mostrato nel compartimento della batteria

#### Nota:

Dopo l'accensione, si consiglia di lasciare che il caldo bilancia per almeno 5 minuti prima di utilizzarlo.

## 2.5 Calibrazione iniziale

Quando la bilancia è installata per la prima volta, e quando è spostata in un'altra posizione, deve essere calibrata per assicurare precisi risultati di pesata.

In alternativa, le bilance possono essere calibrate con masse esterne.

Bisogna avere le masse di calibrazione appropriate disponibili prima d'iniziare la calibrazione. Fare riferimento alla Sezione Calibrazione per la procedura delle masse e calibrazione

### 3. OPERAZIONE

#### 3.1 Comandi

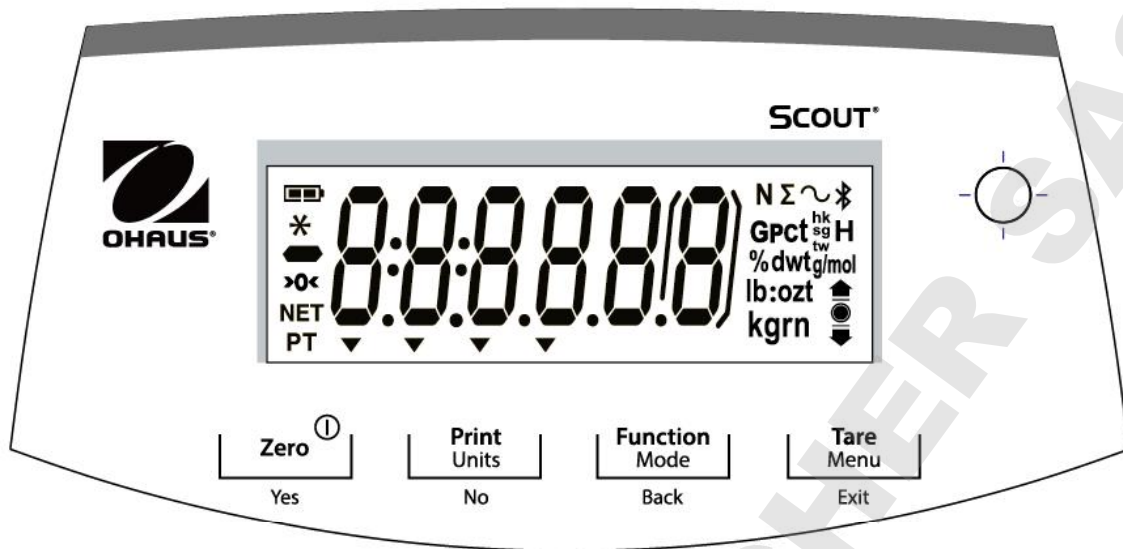


Figura 3-1. Pannello di Controllo Scout

TAVOLA 3-1. Pulsante delle Funzioni

Pulsante	Zero <sup>①</sup> Yes	Print Units No	Function Mode Back	Tare Menu Exit
Funzione Primaria (Premuta Breve)	<b>Zero/Accesso</b> Accende la bilancia.  Se la bilancia è Accesa, imposta Zero.	<b>Stampa</b> Invia il valore attuale ai portali COM selezionati se AUTOSTAMPA sia impostata a Spento.	<b>Funzione</b> Inizia un modo d'applicazione.	<b>Tara</b> Invia/cancella un valore di tara.
Funzione Secondaria (Premuta Lunga)	<b>Zero/Spento</b> Spegne la bilancia.	<b>Unità</b> Cambia l'unità di pesata	<b>Modo</b> Consente di cambiare il modo d'applicazione	<b>Menù</b> Invia il menu Utente.
Funzione Menù (Premuta Breve)	<b>Si</b> Accetta l'impostazione attuale sul display.	<b>No</b> Avanza al prossimo menù o menù oggetto. Respinge l'impostazione attuale sul display e avanza alla successiva impostazione disponibile.	<b>Indietro</b> Si Sposta Indietro al precedente menù oggetto.	<b>Uscita</b> Esce dal menù Utente. Interrompe la calibrazione in corso

Print Units = Unità di Stampa

Function Mode = Modo di Funzione

Tare Menu = Menù di Tara

**Nota:**

<sup>1</sup> Premuta Breve: Premere per meno di 1 secondo.

<sup>2</sup> Premuta Lunga: Premere e mantenere premuto per più di 2 secondi.



Figura 3-2. Display della Scout

TABLE 3-2. Simboli di Display

Oggetto	Descrizione	Oggetto	Descrizione
1	Simbolo carica batteria	7	Simboli Puntatori
2	Simbolo peso stabile	8	Simboli Kilogrammo, grano
3	Simbolo negativo	9	Simboli Libbra, Oncia, Libbra:Oncia
4	Simbolo Centro dello Zero	10	Simbolo g/mol
5	Simbolo NETTO	11	Simbolo G
6	Simbolo Tara predefinita	12	Simboli Newton, Bluetooth

### 3.2 Accendere/Spegnere la Bilancia

Per accendere la bilancia, premere e trattenere il pulsante **Acceso/Zero Spento** per 1 secondo. La bilancia esegue un test del display, momentaneamente visualizza la versione software, e quindi invia il modo di pesata attivo.

Per spegnere la bilancia, premere e trattenere il pulsante **Acceso/Zero Spento** finché viene visualizzato SPENTO.

### 3.3 Funzionamento Calibrazione

Quando la bilancia è utilizzata per la prima volta, si raccomanda una calibrazione del campo per assicurare precisi risultati di pesata. Assicurarsi di avere gli appropriati pesi di calibrazione prima di eseguire la calibrazione e che l'Interruttore di Sicurezza sia impostato alla posizione di sblocco.

Premere e trattenere il **Menù** finché il [MENU] (Menù) sia visualizzato. Quando il pulsante è liberato, il display mostrerà [C.R.L.]. Premere **Si** per accettare. [SPAN] sarà quindi mostrato. Premere **Si** per iniziare la calibrazione del campo.

[--C--] sarà visualizzato mentre la lettura zero viene memorizzata. Di seguito, il display mostra il valore del peso di calibrazione. Premere il tasto **No** per attivare il valore. Porre la specificata massa di calibrazione sul piatto di pesata della bilancia. [--C--] sarà visualizzato mentre la lettura zero viene memorizzata. Il display mostrerà [done] se la calibrazione avesse avuto successo. La bilancia ritorna al precedente modo d'applicazione ed è pronta da utilizzare.

### 3.4 Modo di Pesata

Questo modo è l'impostazione predefinita della fabbrica.

1. Se necessario, premere e trattenere **Modo** finché [WEIGH] (Pesare) è visualizzato.
2. Se necessario, porre un recipiente vuoto sul piatto di pesata della bilancia e premer **Tara**.
3. Aggiungere il campione sul piatto di pesata della bilancia oppure sul recipiente. Il display mostra il peso del campione.

### 3.5 Modo di Densità

Questo modo consente all'utente di calcolare il peso specifico di un campione nell'utilizzare il kit della densità. Modo di Densità è stato iniziato quando "G" e l'attuale unità sono visualizzati. Il campione è pesato in aria sospeso dal gancio e quindi pesato in acqua. La formula è;

$$\frac{\text{peso secco}}{\text{peso secco} - \text{peso bagnato}}$$

#### Preparazione

Preparare la bilancia come mostrato qui di seguito. Rimuovere il piatto di pesata della bilancia inserire il gancio e installare il supporto del bicchiere (non fornito). Quindi premere il pulsante **Zero/Accesso** per accendere la bilancia.

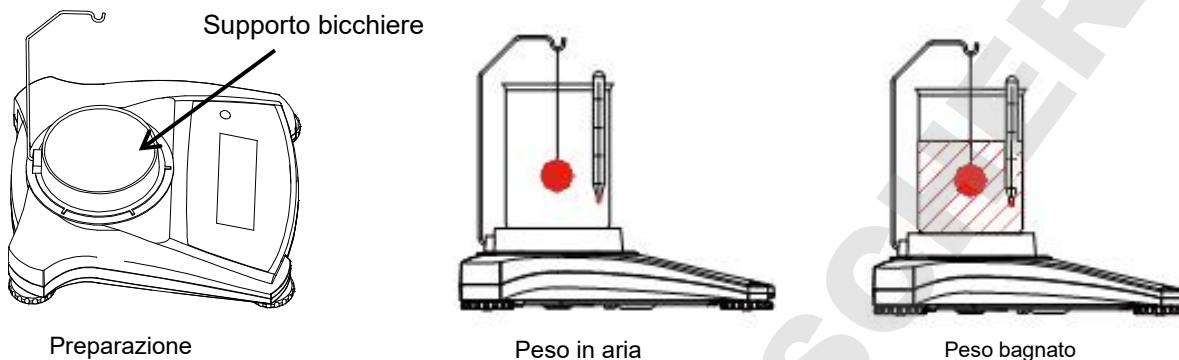


Figura 3-3. Impostazione della Densità

#### Impostazione della densità

1. Premere e trattenere **Modo** finché [SPEC.Gr] sia visualizzato. [R r. Lwt] sarà quindi visualizzato.
2. Porre il campione sul gancio come descritto qui sopra. Premere **Si** per memorizzare il valore del peso secco. [LJ.Lwt] sarà quindi visualizzato.
3. Sospendere il campione in acqua. Premere **Si** per memorizzare il valore del peso bagnato. Il valore del peso specifico è ora visualizzato e "G" lampeggia mentre l'icona dell'unità è spento

**Nota:** Il peso specifico non ha unità di misurazione.

Per grandi campioni si raccomanda di utilizzare la pesata sotto la caratteristica invece del gancio.

### 3.6 Modo di Pesata Molare

Per inviare il modo di Pesata Molare da qualsiasi modo d'applicazione, premere e trattenere il tasto **Modo** finché [MOL] sia visualizzato. Quando il tasto **Modo** è liberato, il display mostra [Lr.M75].

1. Premere il tasto **SI** per cancellare la Massa Molare memorizzata. Premere il tasto **NO** per richiamare l'esistente Massa Molare. Se nessuna Massa Molare sia stata memorizzata, il [Lr.M75] display è tralasciato e l'invio di una Massa Molare è richiesta.
2. Se dovesse esistere una Massa Molare memorizzata, l'attuale Massa Molare sarà visualizzata e lampeggiante.
3. Premere il tasto **No** per iniziare la modifica della Massa Molare.
5. Premere il tasto **No** per incrementare la cifra lampeggiante.
6. Premere il tasto **Indietro** per diminuire la cifra lampeggiante.
7. Premere il tasto **Si** per accettare il valore e spostarsi di una cifra verso la destra

**Nota:** Se le impostazioni dovessero eccedere il limite, il display ritorna al valore memorizzato in precedenza.

Il numero più a sinistra può essere impostato a 0, 1, 2, 3, 4, 5, 6, 7, 8, 9,-. Tutti gli altri



## 4.2 Menù di Calibrazione

Inviare il presente menù per eseguire calibrazioni.

Campo:	Esegui
Linearità:	Esegui
Fine della Calibrazione:	Menù di Uscita

### Campo [SPAn]

Inizia una procedura di calibrazione del campo (zero e campo)

### Lin [L n]

Inizia una procedura di calibrazione lineare (zero, punto mediano e campo).

### Fine Cal [End]

Avanzare al menù successivo o tornare in cima del menù attuale.

## 4.3 Menù di Impostazione

Inviare il presente menù per impostare i parametri della bilancia.

Reimpostare	no, si
Filtro	Basso, <b>Medio</b> , Alto
Monitoraggio Zero Automatico:	spento, <b>0.5d</b> , 1d, 3d
Stabile:	0,5d, <b>1d</b> , 2d, 5d
Retroilluminazione:	spento, on, <b>auto</b>
Tara Automatica:	<b>spento</b> , acceso, acceso-acc
Spento Automatico:	<b>spento</b> , 1, 5, 10
Fine dell'Impostazione:	Uscita dal menù

**Nota:** Il grassetto rappresenta sempre il valore predefinito dalla fabbrica.

### Reimpostare [rESEt]

Predefinire il menù di reimpostazione a quelli predefiniti dalla fabbrica.

NO = non reimpostare

SI = reimpostare

### Filtro [F LLEr]

Impostare la quantità di segnali di filtraggio.

BASSO = meno stabilità, tempo di stabilizzazione più veloce

MEDIO = stabilità normale, tempo di stabilizzazione

ALTO = più grande stabilità, tempo di stabilizzazione più lento

### AZT [AZt]

Impostare il funzionamento di Tracciabilità Automatica di Zero.

SPENTO = disabilitato

0,5d = il display tratterà lo zero finché un cambiamento di 0,5 divisioni per secondo sia stato ecceduto.

1d = il display tratterà lo zero finché un cambiamento di 1,0 divisione per secondo sia stato ecceduto.

3d = il display tratterà lo zero finché un cambiamento di 3,0 divisioni per secondo sia stato ecceduto.

### Gamma Stabile [StABLE]

Impostare la quantità di lettura che può variare mentre il simbolo di stabilità rimane acceso.

0,5d = 0,5 divisione bilancia

1d = 1 divisione bilancia

2d = 2 divisioni bilancia

5d = 5 divisioni bilancia

**Retroilluminazione [b.L ,9hE]**

Imposta funzionalità della retroilluminazione.

SPENTO = sempre spento

ACCESO = sempre acceso

AUTOMATICO = si accende quando un pulsante è premuto o se il peso visualizzato cambia.

**Nota:** Quando collegato con l'alimentatore, la retroilluminazione è sempre accesa.

**Auto Tara [A.LArE]**

Imposta il funzionamento della tara automatica.

SPENTO = La tara automatica è disabilitata

ACCESO = Il primo peso lordo stabile è tarato

ACCESO -ACC = i lordi carichi stabili entro i limiti accettabili sono tarati (in modo di controllo pesata)

**Automatico spento [A.OFF]**

Imposta il funzionamento del spegnimento automatico.

SPENTO = disabilitato

1 = alimentazioni spente dopo 1 minuto di inattività

5 = alimentazioni spente dopo 5 minuti di inattività

10 = alimentazioni spente dopo 10 minuti di inattività

**Impostazione di Fine [End]**

Avanzare al menù successivo o ritornare in cima all'attuale menù.

**4.4 Modo di Menu**

Questo menu attiva i modi in maniera da essere disponibili per essere utilizzabili con il pulsante Modo.

Reimpostare:	no, si
Peso:	spento, <b>acceso</b>
Densità:	spento, <b>acceso</b>
Molare:	spento, <b>acceso</b>
Fine di Modo:	Uscita dal menù

**Reimpostare [rESEt]**

Reimpostare il menù di Modo alle impostazioni di fabbrica.

NO = non reimpostare

SI = reimpostare

**Peso [LWE tGH]**

Impostare lo stato.

SPENTO = disabilitato

ACCESO = abilitato

**Densità [SPEc.Gr]**

Impostare lo stato:

SPENTO = disabilitato

ACCESO = abilitato

**Molare [MOLtE]**

Impostare il sotto-modo

SPENTO = disattivato

ACCESO = attivato

Avanzare al menu successivo o tornare in cima dell'attuale menù.

**Fine del Modo [End]**

## 4.5 Menù di Unità

Questo menù attiva unità in modo che saranno accessibili con il pulsante **Unità**. Le unità nel menù devono essere “accese” per essere attive.

**Nota:** Le unità disponibili variano secondo il modello e i regolamenti locali.

g:	spento, <b>acceso</b>
kg:	<b>spento</b> , acceso
N:	<b>spento</b> , acceso
oz:	<b>spento</b> , acceso
lb:	<b>spento</b> , acceso
lb:oz:	<b>spento</b> , acceso
Fine dell'Unità:	Uscita dal menù

## 4.6 Caratteristiche Supplementari

### Pesata Sotto il Gancio

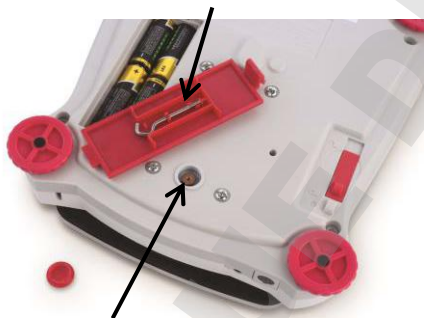
La Bilancia Scout è equipaggiata con una peseta sotto il gancio per pesare sotto la bilancia. La peseta sotto il gancio è localizzata nel lato retro del coperchio della batteria come mostrato qui di seguito.

Per utilizzare tale caratteristica, rimuovere il sottostante coperchio rosso di protezione per l'apertura della pesata di sotto



**Attenzione:** Prima di capovolgere la bilancia rimuovere il Piatto di Pesata della Bilancia e il Piatto di Sostegno (se dovesse essere presente) e capovolgere il blocco trasporto nella posizione di “bloccaggio” per prevenire danneggiamenti.

Pesata Sotto il Gancio



Apertura della pesata di sotto

Pesata Sotto il Gancio installato



Figura 4-2. Pesata di Sotto

La bilancia può essere sorretta utilizzando dei martinetti da laboratorio o un altro metodo conveniente. Assicurarsi che la bilancia sia a livello e fissa e che il blocco trasporto sia stato liberato. Collegare l'alimentazione elettrica alla bilancia e quindi utilizzare uno spago o un fil di ferro per fissare gli oggetti da pesare.

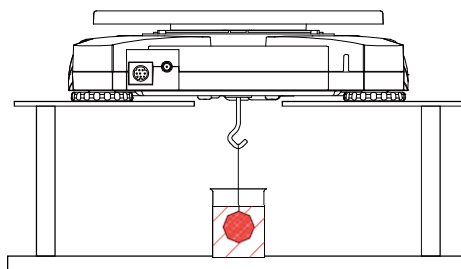


Figura 4-3. Applicazione Peseta di Sotto

### Collegare l'Interfaccia



Utilizzare un kit di collegamento interfaccia opzionale per collegare la bilancia sia a un computer oppure a una stampante.

I seguenti accessori del kit d'Interfaccia sono disponibili:

RS232, USB Host, USB Dispositivo, Ethernet, Bluetooth®.

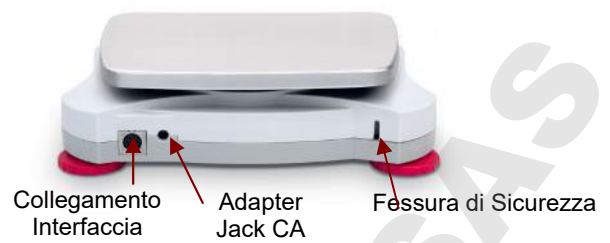


Figura 4-4. Retro della bilancia

\* I kit d'Interfaccia possono variare secondo i regolamenti locali.

La parola "marchio" Bluetooth® così come il logo sono marchi registrati appartenenti alla Bluetooth SIG. Inc., e qualsiasi utilizzo di questi marchi dalla OHAUS è sotto licenza.

## 5. MANUTENZIONE

### 5.1 Pulizia



**AVVERTIMENTO:** Pericolo di Scossa Elettrica. Scollegare l'attrezzatura dall'alimentazione elettrica prima della pulizia.

La sede può essere pulita con un panno inumidito con un leggero detergente se necessario.



**Attenzione:** Non utilizzare solventi, prodotti chimici, alcool, ammoniaca o abrasivi per pulire la sede o il pannello di comando.

### 5.2 Risoluzione dei Problemi

La seguente tavola elenca problemi comuni e possibili cause e rimedi.

Se il problema persiste, contattare la OHAUS o il vostro rivenditore autorizzato.

TAVOLA 5-1

Sintomo	Possibile Causa
Non si accende	Non esiste alimentazione elettrica alla bilancia
Scarsa precisione	Calibrazione impropria Ambiente instabile
Non si calibra	Interruttore di sicurezza in posizione bloccata
Err B.1	Peso eccede l'alimentazione elettrica nella gamma zero.
Err B.2	Peso sotto l'alimentazione elettrica nella gamma zero.
Err B.3	Sovraccarico (peso eccede capacità nominale)
Err B.4	Sottocarico (piatto di pesata della bilancia rimosso)
Err B.5	Tara fuori portata
Err B.6	Il valore visualizzato eccede 999999 (possibile nel modo Totalizzazione)
Err B.7	Posizione peso interno non noto
rEF.Err	Conteggio pezzi o errore percentuale – peso campione <1d. Bilancia mostra errore e quindi esce dal conteggio dei pezzi o va al [CLr.APW].
Lo.rEF	Percentuale del peso di Riferimento o l'APW è troppo basso per dei risultati precisi.
CL E	Non riesce a calibrare.
USb.Err	Non può trovare il menù o file app nell'U-disco.

### 5.3 Informazioni di Servizio

Se la Sezione Risoluzione dei Problemi non solve o descrive il vostro problema, contattare il vostro agente di servizio autorizzato OHAUS. Per assistenza di servizio o appoggio tecnico negli Stati Uniti telefonare con chiamata a carico del destinatario il numero 1-800-672-7722 est. 7852 tra le 08:00 AM and e le 05:00 PM EST. Un addetto specialista al servizio dei prodotti OHAUS sarà disponibile per darvi assistenza. Al di fuori degli USA, si prega di visitare il nostro sito web [www.ohaus.com](http://www.ohaus.com) per localizzare l'Ufficio OHAUS più vicino a Voi.

### 5.4 Accessori

TAVOLA 5-2. ACCESSORI

DESCRIZIONE	Numero dell'oggetto	DESCRIZIONE	Numero dell'oggetto
Kit RS232	30268982	Kit di accatastamento, x1	30268988
Kit host USB	30268983	Kit Peso specifico	30269020
Kit USB Dispositivo	30268984	Kit Display Ausiliario	30269019
Kit Bluetooth*	30268985	Valigetta Portaoggetti	30269021
Kit Ethernet	30268986	Coperchio In-Uso	30269022
Kit di accatastamento, x6	30268987	Stampanti e Cavi	Contattare la OHAUS

Nota: \* Il kit Bluetooth è solamente disponibile in certe regioni secondo i Regolamenti locali.

## 6. DATI TECNICI

I dati tecnici sono validi sotto le seguenti condizioni ambientali:

Per l'Interno utilizzare solamente:

Gamma di temperatura operativa: da +5 °C a +40 °C

Umidità Relativa: da 10% all'80% a 31 °C, decrescendo linearmente a 50% a 40 °C, non-condensato

Altitudine: Fino a 2.000 m

Alimentazione elettrica: un alimentazione elettrica CA con ingresso adattatore da 100-240V 50/60 Hz e uscita 5V CC 1 A, o 4 batterie AA

Grado d'inquinamento: 2

Fluttuazioni di tensione dell'alimentazione elettrica principale fino a  $\pm 10\%$  della tensione nominale

### 6.1 Specifiche

TAVOLA 6-1. SPECIFICHE

Modello	SKX123	SKX222	SKX422	SKX622	SKX1202	SKX2202	SKX421	SKX621	SKX2201	SKX6201	SKX8200
Capacità (g)	120	220	420	620	1200	2200	420	620	2200	6200	8200
Leggibilità (g)	0.001	0.01	0.01	0.01	0.01	0.01	0.1	0.1	0.1	0.1	1
Ripetibilità (Dev. Std.) (g)	0.002	0.01	0.01	0.01	0.02	0.02	0.1	0.1	0.1	0.1	1
Linearità (g)	0.003	0.01	0.01	0.02	0.03	0.03	0.1	0.1	0.1	0.2	1
Massa Calibrazione Campo*	100 g	200 g	200 g	300 g	1 kg	2 kg	200 g	300 g	2 kg	5 kg	8 kg
Massa Calibrazione Linearità	50, 100 g	100, 200 g	200, 400 g	300, 600 g	500 g, 1 kg	1 kg, 2 kg	200, 400 g	300, 600 g	1 kg, 2 kg	3 kg, 6 kg	4 kg, 8 kg
Tempo (i di) Stabilizzazione	1.5	1			1.5		1				
Costruzione	alloggiamento in plastica ABS con 304 piatto in acciaio inox										
Paravento	Si	No									
Gamma Tara	Piena Capacità per sottrazione										
Unità di Peso*	g, kg, N, oz, lb, lb:oz										
Modi d'Applicazione	Pesata, Determinazione della Densità, Pesata Molare										
Tempo di funzionamento della batteria (a 20 °C)	80 ore	120 ore	80 ore				120 ore		80ore	120 ore	
Gamma di temperatura specificata	da +10 °C a +40 °C da 10% all'80% Umidità Relativa, non-condensato										
Condizioni di archiviazione	da -20 °C a +55 °C da 10% all'90% Umidità Relativa, non-condensato										
Comunicazione	RS232, USB host, dispositivi USB, Ethernet o Bluetooth *** (tutti disponibili come accessorio)										
Tipo del Display	Retroilluminazione LCD: 6-cifret 7-segmenti con LED bianco retro-acceso										
Dimensioni del Display	20 mm / 0.78 in cifre										
Dimensioni Piatto di Pesata della Bilancia (W x D)	Ø93mm/3.7in	Ø120 mm / 4.7 in			170 x 140 mm / 6.7 x 5.5 in		Ø120mm / 4.7in	170 x 140 mm / 6.7 x 5.5 in			
Dimensioni Bilance (W x D x H)	202 x 222 x 103 mm / 8 x 8.7 x 4.1 in	202 x 224 x 54 mm / 8 x 8.8 x 2.1 in									
Dimensioni Spedizione (W x D x H)	300 x 250 x 129 mm / 11.8 x 9.8 x 5.1 in										
Peso Netto	1 kg										
Peso di Spedizione	1.6 kg										

**Nota:**

\* pesi di calibrazione sono inclusi con modelli fino a 620g capacità di alcune regioni.

\*\* Le Disponibili Unità di Pesata, i Modi d'Applicazione e il kit d'Interfaccia Opzionale variano secondo i regolamenti locali.

\*\*\* Kit Bluetooth è disponibile solo in alcune regioni secondo le normative locali.

**Capacità x Leggibilità**

Modello	SKX123	SKX222	SKX422	SKX622	SKX1202	SKX2202	SKX421	SKX621	SKX2201	SKX6201	SKX8200
Gram (g)	120 x 0.001	220 x 0.01	420 x 0.01	620 x 0.01	1200 x 0.01	2200 x 0.01	420 x 0.1	620 x 0.1	2200 x 0.1	6200 x 0.1	8200 x 1
Chilogrammo (kg)	/	/	/	/	1.2 x 0.00001	2.2 x 0.00001	/	/	2.2 x 0.0001	6.2 x 0.0001	8.2 x 0.001
Newton (N)	1.17679 x 0.00001	2.1574 x 0.0001	4.1188 x 0.0001	6.0801 x 0.0001	11.7679 x 0.0001	21.5744 x 0.0001	4.119 x 0.001	6.080 x 0.001	21.574 x 0.001	60.801 x 0.001	80.41 x 0.01
Ounce (oz)	4.23290 x 0.00005	7.7600 x 0.0005	14.8150 x 0.0005	21.8700 x 0.0005	42.3290 x 0.0005	77.6030 x 0.0005	14.815 x 0.005	21.870 x 0.005	77.600 x 0.005	218.700 x 0.005	289.25 x 0.05
Pound (lb)	/	/	/	1.36690 x 0.00005	2.64555 x 0.00005	4.85020 x 0.00005	/	1.3670 x 0.0005	4.8500 x 0.0005	13.6685 x 0.0005	18.080 x 0.005
Pound: Ounce (lb: oz)	/	/	/	1lb:5.8700oz x 0.0005oz	2lb:10.3290oz x 0.0005oz	4lb:13.6030oz x 0.0005oz	/	1lb:5.870oz x 0.005oz	4lb:13.600oz x 0.005oz	13lb:10.700oz x 0.005oz	18lb:1.25oz x 0.05oz

**6.2 Disegni**

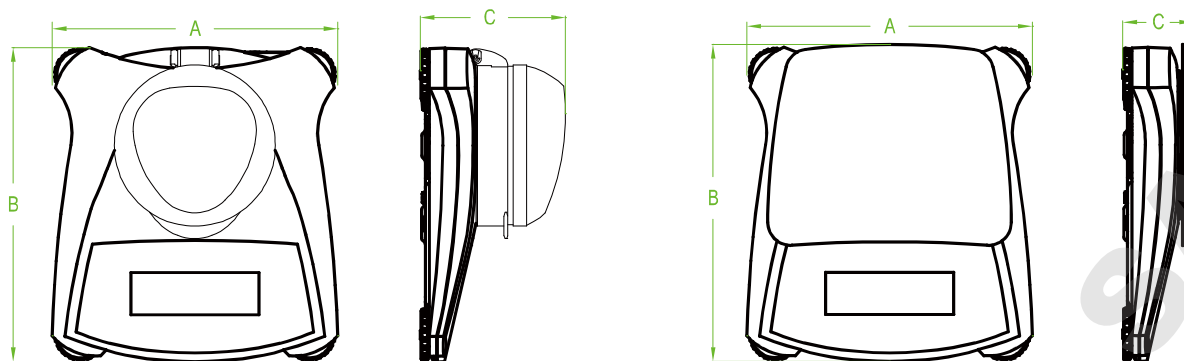





Figura 6.1 Dimensioni

Modello	A	B	C
con paravento	202 mm/8.0in.	222 mm/8.7in.	103 mm/4.1in.
w/o paravento	202 mm/8.0in.	224 mm/8.8in.	54 mm/2.1in.

### 6.3 Conformità

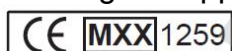
La conformità alle seguenti Norme è indicata dal segno corrispondente sul prodotto.

Segno	Norma
	Questo prodotto è conforme alle norme armonizzate applicabili delle direttive comunitarie 2011/65/UE (RoHS) , 2014/30/UE (EMC) , 2014/35/UE (LVD) e 2014/31/UE (NAWI). La dichiarazione di conformità CE è disponibile online all'indirizzo <a href="http://www.ohaus.com/ce">www.ohaus.com/ce</a> .
	EN 61326-1
	CAN/CSA-C22.2 No. 61010-1, UL Norma No. 61010-1

#### Avviso importante per gli strumenti di pesatura verificati nell'UE

Quando lo strumento viene usato nel commercio o per un'applicazione regolata dalle disposizioni di legge, deve essere impostato, verificato e sigillato in conformità con la normativa locale in materia di pesatura e misurazione. È responsabilità dell'acquirente garantire che tutti i requisiti di legge pertinenti siano soddisfatti.

Gli strumenti di pesatura verificati presso il luogo di fabbricazione recano la seguente marcatura metrologica supplementare sulla targhetta descrittiva.

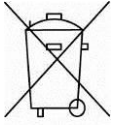


Gli strumenti di pesatura da certificare in due fasi sono sprovvisti di marcatura metrologica supplementare sulla targhetta descrittiva. La seconda fase di valutazione della conformità deve essere effettuata dalle autorità metrologiche responsabili.

Se la normativa nazionale limita il periodo di validità della verifica, l'utente dello strumento di pesatura deve rigorosamente osservare il periodo di ri-verifica e informare le autorità metrologiche.

Poiché i requisiti di verifica variano a seconda della giurisdizione, l'acquirente dovrà contattare l'ufficio metrologico locale in caso di dubbi sui requisiti previsti.

## SMALTIMENTO



In conformità alla Direttiva Europea 2002/96/CE sui rifiuti di apparecchi elettrici ed elettronici, RAEE (WEEE), il presente dispositivo non può essere smaltito nei rifiuti domestici. Questo vale anche per i Paesi al di fuori dell'UE, per le loro specifiche esigenze.

Si prega di smaltire il presente prodotto in conformità alle normative locali presso il punto di raccolta indicato per gli apparecchi elettrici ed elettronici. Se avete delle domande, si prega di mettersi in contatto l'autorità responsabile o il distributore da cui avete acquistato il presente dispositivo.

Se il presente dispositivo dovesse essere ceduto a terzi (per uso privato o professionale), il contenuto della presente normativa deve anche essere in relazione. Per le istruzioni di smaltimento in Europa, fare riferimento a [www.OHAUS.com/wEEE](http://www.OHAUS.com/wEEE). Vi ringraziamo per il vostro contributo alla tutela dell'ambiente.

### Nota FCC

L'attrezzatura è stata sottoposta a prove ed è conforme ai limiti di un dispositivo digitale di Classe B ai sensi della Parte 15 delle Regole FCC (Commissione Federale sulle Comunicazioni). Tali limiti sono progettati per fornire una ragionevole protezione da interferenze dannose in installazioni residenziali. Tale attrezzatura genera, utilizza e può radiare energia di frequenza radio e, se non fosse installata e utilizzata secondo le istruzioni, può causare interferenze dannose alle comunicazioni radio. Tuttavia, non esiste garanzia non avrà luogo delle interferenze in un'installazione particolare. Se tale attrezzatura dovesse causare interferenze dannose alla ricezione radiofonica o televisiva, che possono essere determinate accendendo e spegnendo l'attrezzatura, l'utente è incoraggiato di cercare di correggere le interferenze con una o più delle seguenti misure:

- Orientare diversamente o ricollocare l'antenna ricevente
- Aumentare la separazione tra l'attrezzatura e il ricevitore
- Collegare l'attrezzatura in una presa di un circuito diverso da quello dove è collegato il ricevitore.
- Consultare il rivenditore o un qualificato tecnico radio/TV per aiuto

### Nota sul settore in Canada

Questa unità digitale di classe B è conforme alla normativa ICES-003 canadese.

### Registrazione ISO 9001

Nel 1994, la Ohaus Corporation, Stati Uniti, ha ricevuto il certificato di registrazione ISO 9001 dal Bureau Veritas Quality International (BVQI), a conferma che il sistema di gestione della qualità di Ohaus è conforme ai requisiti dello standard ISO 9001. Il 21 giugno 2012, la Ohaus Corporation, Stati Uniti, ha ricevuto nuovamente la registrazione dello standard ISO 9001:2008.

## GARANZIA LIMITATA

I prodotti Ohaus sono garantiti contro difetti nei materiali e nella lavorazione dalla data di consegna per tutta la durata del periodo di garanzia. Durante il periodo di garanzia Ohaus riparerà o, a sua discrezione, sostituirà gratuitamente qualsiasi componente/i che si dimostri essere difettoso, purché il prodotto venga restituito, spese prepagate, a Ohaus.

La presente garanzia non vale se il prodotto è stato danneggiato accidentalmente o a causa di uso improprio, esposto a materiali radioattivi o corrosivi, se sono stati fatti penetrare al suo interno corpi estranei, oppure in conseguenza di interventi di riparazione o modifica realizzati da personale non Ohaus. Invece di una scheda di registrazione di garanzia correttamente restituita, il periodo di garanzia inizierà alla data di spedizione del rivenditore autorizzato. Ohaus Corporation non rilascia alcun'altra garanzia esplicita o implicita. Ohaus Corporation non sarà responsabile per eventuali danni conseguenti.

Dato che la legislazione sulla garanzia varia da uno Stato all'altro e da un Paese all'altro, per ulteriori dettagli contattare Ohaus o il rivenditore Ohaus locale.

DOMINIQUE DUTSCHER



OHAUS Corporation  
7 Campus Drive  
Suite 310  
Parsippany, NJ 07054 USA  
Tel: +1 973 377 9000  
Fax: +1 973 944 7177

With offices worldwide / Con oficinas alrededor del mundo / Avec des bureaux dans le monde entier / Weltweite Geschäftsstellen / Con uffici in tutto il mondo.

[www.ohaus.com](http://www.ohaus.com)



\* 3 0 2 6 9 0 3 9 \*

P/N 30269039E © 2016 OHAUS Corporation, all rights reserved / todos los derechos reservados / tous droits réservés / Alle Rechte vorbehalten / tutti i diritti riservati.

Printed in China / Impreso en la China / Imprimé en Chine / Gedruckt in China / Stampato in Cina