



**Valor™ 3000 Series  
Instruction Manual**

**Serie Valor™ 3000  
Manual de instrucciones**

**Valor™ série 3000  
Manuel d'instructions**

**Valor™ 3000-Serie  
Bedienungsanleitung**

**Serie Valor™ 3000  
Manuale di istruzioni**





## 1. INTRODUCTION

This manual contains installation, operation and maintenance instructions for the Valor™ 3000 Series Scales. Please read the manual completely before using the scale.

### 1.1 Safety Precautions

Please follow these safety precautions:

- Verify that the AC Adapter input voltage matches the local AC power supply.
- Use the scale only in dry locations.
- Do not operate the scale in hostile environments.
- Do not drop loads on the platform.
- Do not place the scale upside down on the pan.
- Service should be performed only by authorized personnel.

### 1.2. Controls

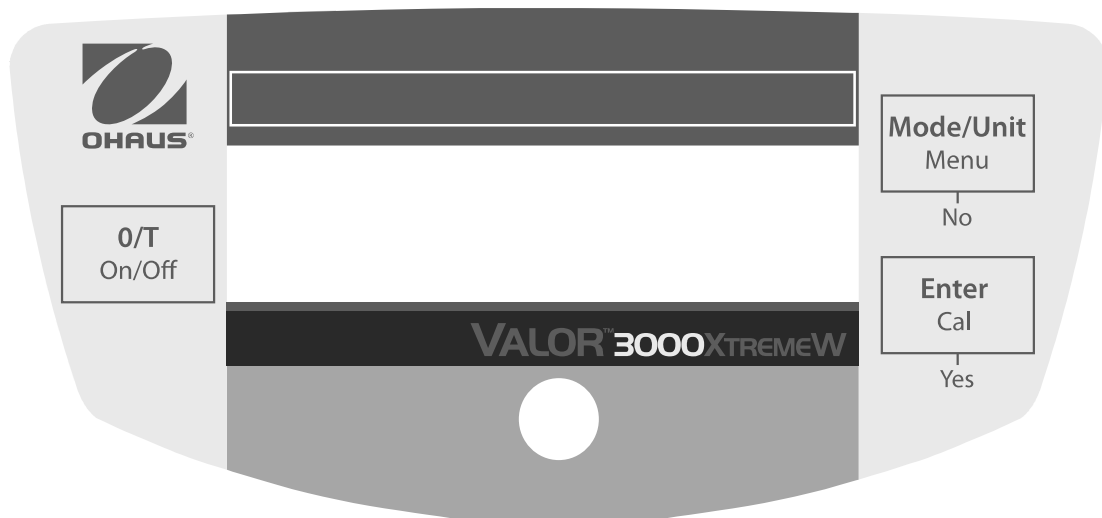


Figure 1-1. Controls.

**TABLE 1-1. CONTROL FUNCTIONS.**

<b>Button</b>	<b>Functions</b>
<b>O/T On/Off</b>	Short Press: (when off) Turns scale on (when on) Sets display to zero Tares weight of item on pan Long Press: Turns the scale off
<b>MODE/UNIT Menu</b>	Short Press Steps through active units and modes Long Press: Enters menu Short Press (Menu) "No" (toggles through available settings)
<b>ENTER Cal</b>	Short Press: Stores 100% reference in % mode Stores reference sample in SG mode Long Press Initiates span calibration process Short Press(Menu) Yes" (selects/accepts displayed setting)

## 2. INSTALLATION

### 2.1 Package Contents

- Scale
- Pan
- Power Adapter
- Instruction Manual
- Warranty Card

### 2.2. Location

Use the scale on a firm, steady surface. Avoid locations with excessive air current, vibrations, heat sources, or rapid temperature changes. Adjust the leveling feet so the bubble is centered in the circle.

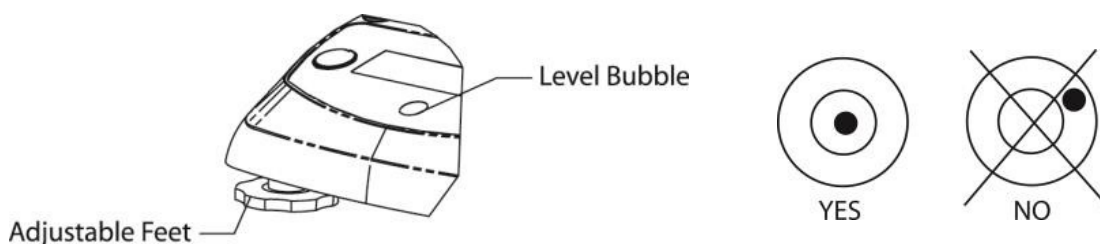


Figure 2-1. Leveling the Scale.

### 2.3. Transport lock

Open the battery cover. Move the transport lock switch to “Unlock” position. Install 4 C (LR14) batteries, if desired. Reinstall the battery cover

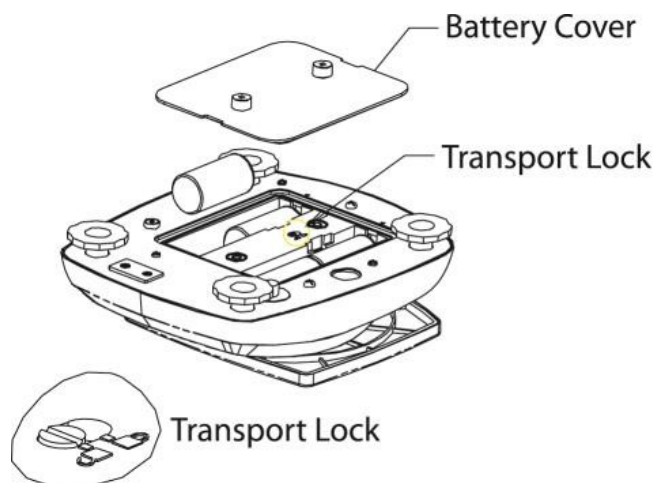


Figure 2-2. Battery Installation.

### 2.4 Power

The AC adapter (included) may be used to power the scale when battery power is not available. Remove the rubber seal in the bottom. Store it in the location provided. Connect the AC adaptor plug to the input jack.

**NOTE:** To prevent water ingress during cleaning, insert back rubber seal into the input jack recess.

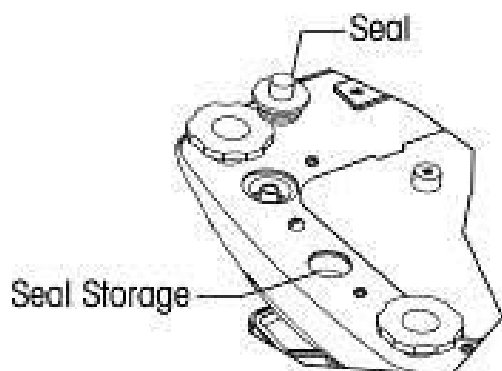


Figure 2-3. Power Connection and Sealing.

## 2.5 Initial Calibration

When the scale is first installed, it should be calibrated to ensure accurate weighing results.

Press and hold the **ENTER/Cal** button until CAL is displayed. When the button is again pressed and released, the display shows -C- while zero reading is stored. Next, the display shows the calibration weight value in grams. Place the specified calibration weight (sold separately) on the pan. See Table 2-1 for appropriate weights. The display shows -C- while the reading is stored. The display returns to the previous application mode and scale is ready for use.

**TABLE 2-1. CALIBRATION WEIGHTS.**

MODELS					
	V31XH202	V31XH402	V31XH2	V31XH4	V31X501
Calibration Weights	200g	400 g	2 kg	4 kg	500 g
MODELS					
	V31X3	V31X6	V31XW301	V31XW3 / V31X3N	V31XW6 / V31X6N
Calibration Weights	3 kg	6 kg	300 g	3 kg	6 kg

## 3. OPERATION

### 3.1 Weighing Mode

Use this mode to measure the weight of a sample in the selected unit of measure.

1. Press **MODE/UNIT/Menu** until the desired unit icon is displayed.
2. Put an empty container on the pan, then press **O/T/On/Off** to tare the container weight.
3. Add material to the container. The display shows the weight of the material.

### 3.2 Percent Mode

Use this mode to measure the weight of a sample as a percentage of a reference weight.

1. Press **MODE/UNIT/Menu** until Set.rEF and the % icon are displayed.
2. Press **No** to use the reference weight in memory and proceed to step 6.
3. Press **Yes** to establish a new reference. Scale display will now blink until reference is stored.
4. Put an empty container on the pan, then press **O/T/On/Off** to tare the container weight.
5. Add the desired amount of material to the container, then press **ENTER/Cal** to store the displayed weight. The display shows 100%.
6. Replace the reference material with new material. The display shows the percentage of the sample compared to reference weight.

### 3.3 Specific Gravity Mode

Use this mode to measure the specific gravity of a sample.

1. Press **MODE/UNIT/Menu** until Set.rEF and the S icon are displayed.
2. Press **No** to use the reference weight in memory and proceed to step 6.
3. Press **Yes** to establish a new reference weight. Scale display will now blink until reference is stored.
4. Put an empty container on the pan, then press **O/T/On/Off** to tare the container weight.
5. Fill the container with water, then press **ENTER/Cal** to store the displayed weight. The display shows the water weight with the S icon blinking.
6. Replace the water with the same volume of sample material, then press **ENTER/Cal**. The display shows the specific gravity of the sample.

### 3.4 Fluid Ounce Mode

Use this mode to measure the fluid ounce volume of a sample.

1. Press **MODE/UNIT/Menu** until the FL icon is displayed.
2. Put an empty container on the pan, then press **O/T/On/Off** to tare the container weight.
3. Fill the container with sample material. The display shows the volume of the sample.

## 4. SETTINGS

The Menu allows the user to customize scale settings.

### 4.1 Menu Navigation

Press and hold **MODE/UNIT/Menu** button until SETUP is displayed, then release it. Press **Yes** to enter the displayed menu. or press **No** to advance to the next menu. Once in the menu, press **Yes** to view the menu item setting or press **No** to move to the next menu item. When viewing the setting, press **Yes** to accept the setting, or press **No** to change the setting. When End is displayed, press **Yes** to advance to the next menu or **No** to return to the top of the current menu.

### 4.2 Setup Menu

#### STABILITY RANGE

Set the stability range to 0.5d, **1d**, 2d or 5d (divisions).

#### AUTO ZERO TRACKING RANGE

Set the automatic zero tracking range to OFF, **0.5d**, 1d, 3d (divisions).

#### FILTER LEVEL

Set the filter level to LO (low), **ME** (medium), or HI (high).

#### BACK LIGHT

Set the back light functionality to OFF (always off), ON (always on) or **Auto** (turns on when a key is pressed or the displayed weight changes).

#### AUTO OFF

Set the automatic shut off functionality to **ON** (shut off after 5 minutes) or OFF (stays on).

#### POWER ON UNIT

Set the unit of measure displayed at startup to g, kg, lb, oz or lb:oz.

#### GLOBAL RESET

Select YES (reset menus to factory defaults) or NO (do not reset). Units will be set to factory defaults.



<b>Menu</b>	<b>Default</b>
Stability Range	1 d
Auto zero Tracking	0.5d
Filter Level	ME
Back Light	Auto
Auto off	On

**LEGAL FOR TRADE**

This menu item is only included in models V31XW301, V31XW3, V31XW6, V31X3N and V31X6N. Refer to Section 5 for details.



Set the legal for trade operation to ON or **OFF**.

**NOTE:** When Legal For Trade is set to ON, the Menu settings are affected as follows:

- Calibration is disabled and hidden.
- The Stability range setting is locked at the 1d setting and hidden.
- The Auto Zero Tracking range setting is locked at the 0.5d setting and hidden.
- The Power On Unit is locked at its current setting and hidden.
- The Filter setting is locked at its current setting and hidden.
- The Backlight setting is unlocked and visible.
- The Auto Off setting is unlocked and visible.
- The Global reset setting is locked at the NO setting and hidden.
- The Kilogram, Gram, Pound and Ounce units are locked at their current setting (ON or OFF) and hidden.
- The Pound:Ounce and Fluid Ounce units are locked at the OFF setting and hidden.
- The Percent mode is locked at its current setting (ON or OFF) and hidden.
- The Specific Gravity mode is locked at the OFF setting and hidden.

**NOTE:** When Legal for Trade is set to ON, it is necessary to set the security switch to ON before exiting the menu. If the security switch is not set to ON, the message "SW.OFF" is displayed and the indicator returns to the menu.

END

Advance to the Unit/Mode menu (Yes) or back to Setup (No).

### 4.3 Unit/Mode Menu

#### GRAM UNIT

Set grams ON or OFF.



#### KILOGRAM UNIT

Set kilograms ON or OFF.



#### POUND UNIT

Set pounds ON or OFF.



#### OUNCE UNIT

Set ounces ON or OFF. If ON is selected, set DEC (decimal ounces) or FrA (fractional ounces)



#### POUND OUNCE UNIT

Set pound ounces ON or OFF. If On is selected, set DEC (decimal ounces) or FrA (fractional ounces)



#### FLUID OUNCE MODE

Set fluid ounces ON or OFF.



#### PERCENT MODE

Set percent ON or OFF.



#### SPECIFIC GRAVITY MODE

Set specific gravity ON or OFF.



#### END

Exit to the previous Unit/Mode (Yes) or g (No).

## 5. LEGAL FOR TRADE

When model V31XW301, V31XW3, V31XW6, V31X3N or V31X6N is used in trade or a legally controlled application it must be set up, verified and sealed in accordance with local weights and measures regulations. It is the responsibility of the purchaser to ensure that all pertinent legal requirements are met.

### 5.1 Settings

Before verification and sealing, perform the following steps:

- Set the Security Switch to the OFF position.
- Set LFT to OFF under Setup menu.
- Calibrate the scale.
- Enter the Units menu.
- Set the desired units of measure to ON.
- Exit the Units menu.
- Enter the Setup menu.
- Set the desired Filter level.
- Set the desired Power On Unit.
- Set LFT to ON.
- Set the Security Switch to ON.
- Exit the Setup menu.

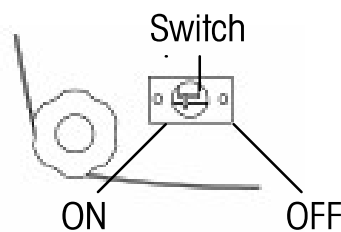


Figure 5-1. Security Switch Settings

### 5.2 Verification

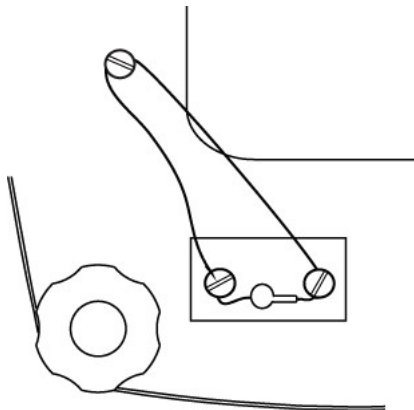
The local weights and measures official or authorized service agent must perform the verification procedure.

### 5.3 Sealing

The local weights and measures official or authorized service agent must apply a security seal to prevent tampering with the settings. Refer to the illustrations below for sealing methods.

#### Wire Seal

Remove the spacers under the cross drilled screws. Re-install the screws and feed the wire through the cross drilled holes.



#### Paper Seal

Place the paper seals over the screws and sealing spacers.

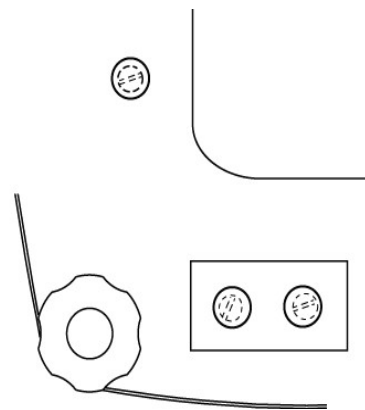


Figure 5-2. Sealing methods.

## 6. MAINTENANCE

### 6.1 Troubleshooting

The following table lists common problems and possible causes and remedies. If the problem persists, contact Ohaus or your authorized dealer.

**TABLE 6-1. TROUBLESHOOTING.**

Symptom	Possible Cause	Remedy
Cannot turn on	No power to scale	Verify connections and voltage.
Poor accuracy	Improper calibration • Unstable environment	Perform calibration • Move scale to suitable location
Cannot calibrate	Unstable environment • Incorrect calibration weight	Move the scale to suitable location • Use correct calibration weight
Cannot access mode	Mode not enabled	Enter menu and enable mode
Cannot access unit	Unit not enabled	Enter menu and enable unit
Err 8.1	Pan has load during power on	Remove weight from pan and re-zero.
Err 8.2	Pan was removed prior to power on	Install pan and re-zero.
OVER	Weight on pan exceeds capacity	Remove weight from the pan
UNDER	Pan was removed during weighing	Re-install pan
Err 9	Factory calibration data corrupted	Contact Ohaus or an authorized service agent • Perform service calibration
REF Err	Reference Weight is too small	Use larger sample
LOWrEF	Reference Weight is too low for accurate percent weighing.	Continue to weigh with less accurate results

### 6.2 Service Information

If the troubleshooting section does not resolve or describe your problem, contact your authorized Ohaus service agent. For service assistance or technical support in the United States call toll-free 1-800-526-0659 between 8.00 AM and 5:00 PM EST. An Ohaus product service specialist will be available to provide assistance. Outside the USA, please visit our web site, [www.ohaus.com](http://www.ohaus.com) to locate the Ohaus office nearest you.

## 7. TECHNICAL DATA

The technical data is valid under the following ambient conditions:

**Indoor use only**

**Ambient temperature:** 0°C to 40°C

**Relative humidity:** maximum relative humidity 80% for temperatures up to 31°C, decreasing linearly to 50% relative humidity at 40°C.

**Altitude:** Up to 2000 m

Operability is assured at ambient temperatures between 0°C and 40°C

**Power:** AC Adapter (supplied), 9 - 12 VDC, 0.5 A output, 4 C (LR14) batteries (not supplied)

**Pollution degree:** 2

**Installation category:** III

### 7.1 Specifications

**TABLE 7-1. SPECIFICATIONS**

<b>Model</b>	<b>V31XH202</b>	<b>V31XH402</b>	<b>V31XH2</b>	<b>V31XH4</b>	<b>V31X501</b>
Capacity	200	400	2000	4000	500
Repeatability (g)	0.01		0.1		
Linearity (g)	±0.01		±0.1		
Approval Class	-				
Ingress Protection	-				
Weighing Units	g, kg, lb, oz, lb:oz				
Application Modes	Weigh, Percent weighing, Specific Gravity, Fluid Ounces				
Tare range	To capacity by subtraction				
Stabilization Time	≤3 seconds				
Calibration	Digital with external weight				
Display Type	6-digit 7-segment LCD with white LED backlight				
Display Size	15 mm / 0.6" digits				
Keypad	3-button overlay				
Pan Size (mm / in)	120 / 4.7		146 x 158 / 5.7 x 6.2		120 / 4.7
Net Weight (kg / lb)	1.2 / 2.6		1.3 / 2.9		1.2 / 2.6
Shipping Weight (kg/lb)	2.0 / 4.3		2.1 / 4.6		2.0 / 4.3

**TABLE 7-1. SPECIFICATIONS**

<b>Model</b>	<b>V31X3</b>	<b>V31X6</b>	<b>V31XW301</b>	<b>V31XW3/ V31X3N</b>	<b>V31XW6/ V31X6N</b>
Capacity	3000	6000	300	3000	6000
Repeatability (g)	1		0.2	1	2
Linearity (g)	±1		±0.2	±1	±2
Approval Class	-		III		
Ingress Protection	-		IP65 / *		
Weighing Units	g, kg, lb, oz, lb:oz				
Application Modes	Weigh, Percent weighing, Specific Gravity, Fluid Ounces				
Tare range	To capacity by subtraction				
Stabilization Time	≤3 seconds				
Calibration	Digital with external weight				
Display Type	6-digit 7-segment LCD with white LED backlight				
Display Size	15 mm / 0.6" digits				
Keypad	3-button overlay				
Pan Size (mm / in)	146 x 158 / 5.7 x 6.2				
Net Weight (kg / lb)	1.3 / 2.9		1.4 / 3.1		
Shipping Weight (kg/lb)	2.1 / 4.6		2.2 / 4.8		

\* Models V31X3N and V31X6N are not rated IP65

## 7.2. Capacity and Readability

**TABLE 7-2. CAPACITY AND READABILITY**

UNITS	SECURITY SWITCH	MODELS				
		V31XH202	V31XH402	V31XH2	V31XH4	V31X501
<b>g</b>	ON	NA	NA	NA	NA	NA
	OFF	200.00 x 0.01	400.00 x 0.01	2000.0 x 0.1	4000.0 x 0.1	500.0 x 0.1
<b>kg</b>	ON	NA	NA	NA	NA	NA
	OFF	0.20000 x 0.00001	0.40000 x 0.00001	2.0000 x 0.0001	4.0000 x 0.0001	0.5000 x 0.0001
<b>oz</b>	ON	NA	NA	NA	NA	NA
	OFF	7.0550 x 0.0005	14.1095 x 0.0005	70.550 x 0.005	141.095 x 0.005	17.635 x 0.005
<b>lb</b>	ON	NA	NA	NA	NA	NA
	OFF	0.44090 x 0.00005	0.88185 x 0.00005	4.4090 x 0.0005	8.81850 x 0.0005	1.1025 x 0.0005
<b>lb:oz</b>	ON			NA	NA	NA
	OFF	NA	NA	4lb : 6.55 oz x 0.01 oz	8lb : 13.10 oz x 0.01 oz	1lb : 1.64 oz x 0.01 oz
<b>oz (fra)</b>	ON	NA	NA	NA	NA	NA
	OFF	7 x 1/8	14 1/8 x 1/8	70 1/2 x 1/8	141 1/8 x 1/8	17 5/8 x 1/8
<b>lb: oz (fra)</b>	ON			NA	NA	NA
	OFF	NA	NA	4lb : 6 1/2 oz x 1/8 oz	8lb : 13 1/8 x 1/8 oz	1lb : 1 5/8 oz x 1/8 oz
<b>fl</b>	ON	NA	NA	NA	NA	NA
	OFF	6.7630 x 0.0005	13.5255 x 0.0005	67.630 x 0.005	135.255 x 0.005	16.905 x 0.005



**TABLE 7-2. CAPACITY AND READABILITY**

UNITS	SECURITY SWITCH	MODELS				
		V31X3	V31X6	V31XW301	V31XW3 / V31X3N	V31XW6 / V31X6N
g	ON	NA	NA	300.0 x 0.2	3000 x 1	6000 x 2
	OFF	3000 x 1	6000 x 1	300.0 x 0.1	3000.0 x 0.5	6000 x 1
kg	ON	NA	NA	0.3000 x 0.0002	3.000 x 0.001	6.000 x 0.002
	OFF	3.000 x 0.001	6.000 x 0.001	0.3000 x 0.0001	3.0000 x 0.0005	6.000 x 0.001
oz	ON	NA	NA	10.58 x 0.01	105.80 x 0.05	211.6 x 0.1
	OFF	105.80 x 0.05	211.65 x 0.05	10.585 x 0.005	105.80 x 0.02	211.60 x 0.05
lb	ON	NA	NA	0.6615 x 0.0005	6.615 x 0.005	13.225 x 0.005
	OFF	6.615 x 0.005	13.230 x 0.005	0.6615 x 0.0005	6.615 x 0.002	13.225 x 0.005
lb:oz	ON	NA	NA	NA	6 lb : 9.80 oz x 0.05 oz	13 lb : 3.6 oz x 0.1 oz
	OFF	6 lb : 9.80 oz x 0.05 oz	13lb : 3.65 oz x 0.05 oz	NA	6 lb : 9.80 oz x 0.02 oz	13 lb : 3.60 oz x 0.05 oz
oz (fra)	ON	NA	NA	10 ½ x 1/8	105 ½ x 1/8	211 ½ x 1/8
	OFF	105 ½ x 1/8	211 ½ x 1/8	10 ½ x 1/8	105 ½ x 1/8	211 ½ x 1/8
lb: oz (fra)	ON	NA	NA	NA	6lb : 9 ½ oz x 1/8oz	13 lb : 3 ½ oz x 1/8oz
	OFF	6lb : 9 ½ oz x 1/8 oz	13 lb : 3 ½ oz x 1/8 oz	NA	6lb : 9 ½ oz x 1/8 oz	13 lb : 3 ½ oz x 1/8 oz
fl	ON	NA	NA	10.14 x 0.01	101.45 x 0.05	202.9 x 0.1
	OFF	101.45 x 0.05	202.90 x 0.05	10.140 x 0.005	101.44 x 0.02	202.90 x 0.05

7.3 Drawings

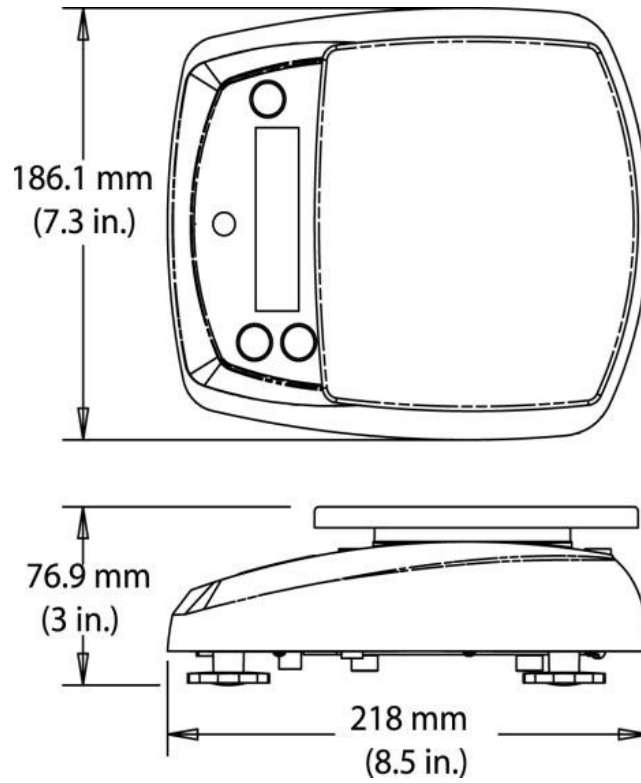


Figure 7-1. All Models except V31XH202, V31XH402, V31X501

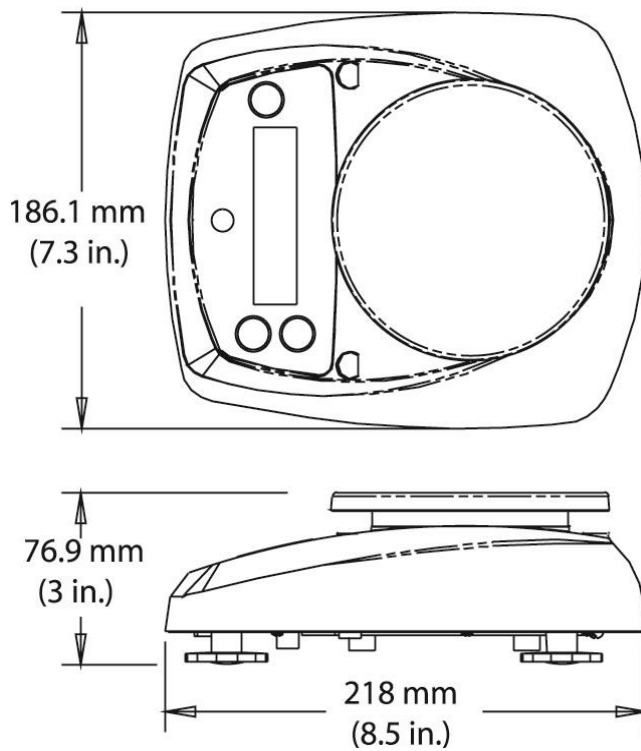


Figure 7-2. Models V31XH202, V31XH402, V31X501