



Scan QR Code with your WebCam for downloading the user instruction manual.

Adventurer™ Balances

Quick Start Guide

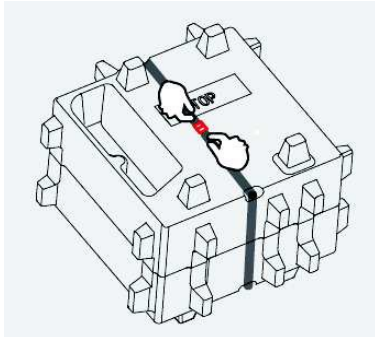


Please download the user manual from www.ohaus.com.

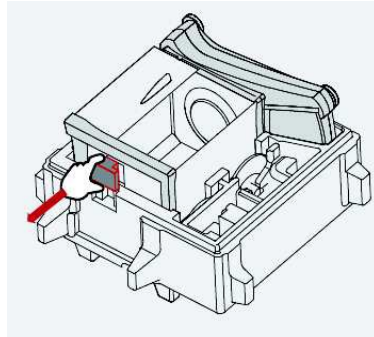
Quick Start Guide Adventurer™ Balances

1. ASSEMBLY

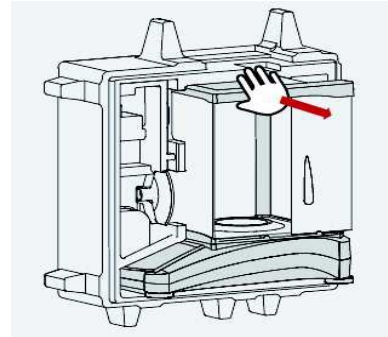
1) Unpack the balance



1) Remove the binder



2) Take out the red cube



3) Take out the balance

For 1mg and 0.1mg Models:



– Wind Ring

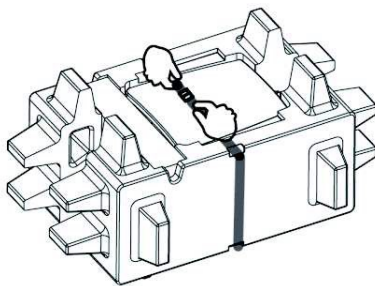


– Weighing pan (90mm) for 0.1mg model

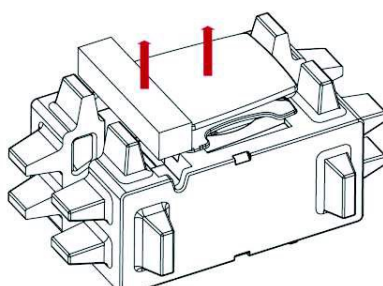


– Weighing pan (130mm) for 1mg model

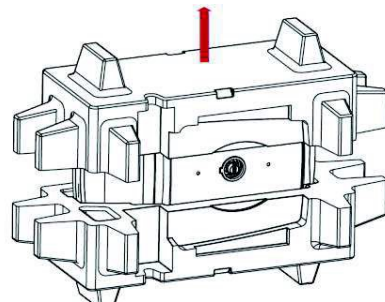
2) Install Wind ring and weighing pan



1) Remove the binder



2) Take out the adaptor box and weighing pan

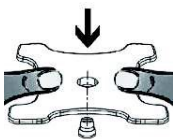


3) Take out the balance

For 0.1g and 0.01g Models:



– Weighing pan (175x195mm) for 0.1g and 0.01g balance



– Pan support, push the pan support to the end, tightly connect with cone.

2. DEFINITION OF SIGNAL WARNINGS AND SYMBOLS

Safety notes are marked with signal words and warning symbols. These show safety issues and warnings. Ignoring the safety notes may lead to personal injury, damage to the instrument, malfunctions and false results.

Signal Words

WARNING	For a hazardous situation with medium risk, possibly resulting in injuries or death if not avoided.
CAUTION	For a hazardous situation with low risk, resulting in damage to the device or the property or in loss of data, or injuries if not avoided.
Attention Note	For important information about the product For useful information about the product

Warning Symbols



General Hazard



Electrical Shock Hazard



Alternating current



Direct current

3. SAFETY PRECAUTIONS








CAUTION: Read all safety warnings before installing, making connections, or servicing this equipment. Failure to comply with these warnings could result in personal injury and/or property damage. Retain all instructions for future reference.

- Verify that the AC adapter's input voltage range and plug type are compatible with the local AC power to be used.
- Make sure that the power cord does not pose a potential obstacle or tripping hazard.
- The balance is for indoor use only.
- Use the balance only in dry locations.
- Do not drop loads on the pan.
- Use only approved accessories and peripherals.
- Operate the equipment only under ambient conditions specified in these instructions.
- Disconnect the equipment from the power supply when cleaning.
- Do not operate the equipment in hazardous or unstable environments.
- Service should only be performed by authorized personnel.
- Do not position the balance such that it is difficult to reach the power connection.

Quick Start Guide Adventurer™ Balances

4. CONTROLS



Button	Action
	Short Press (if powered Off): Turns on the scale Long Press (if powered On): Turns off the scale Note: The balance will automatically power on when power is connected.
	Short Press: Prints the present data to a printer or a computer.
	Short Press: Perform Zero operation
	Short Press: Perform Calibration operation
	Short Press: Perform Tare operation

Main Application Screen

Application		Capacity and readability
Instructional Messages		Result Field: Information varies by application
Stability (*), Net (NET), Gross (G) and/or center of zero (>0<) indicators		Touch g to change unit
Reference Fields		Application Buttons: Functions vary by application

5. MENU & SCREEN NAVIGATION

Touch **Menu** to open the menu list.



Calibration:

Touch to view calibration options.



Balance Setup:

Touch to view and change balance settings.



Weighing Units:

Touch to view and change weighing units.



Data Maintenance:

Touch to view data maintenance settings.



GLP and GMP Data:

Insert user data for traceability.



Communication:

Touch to view COM Device Settings and Print Settings.



Factory Reset:

Touch to do a Factory reset of menu settings.



Lockout:

Touch to view lockout options.

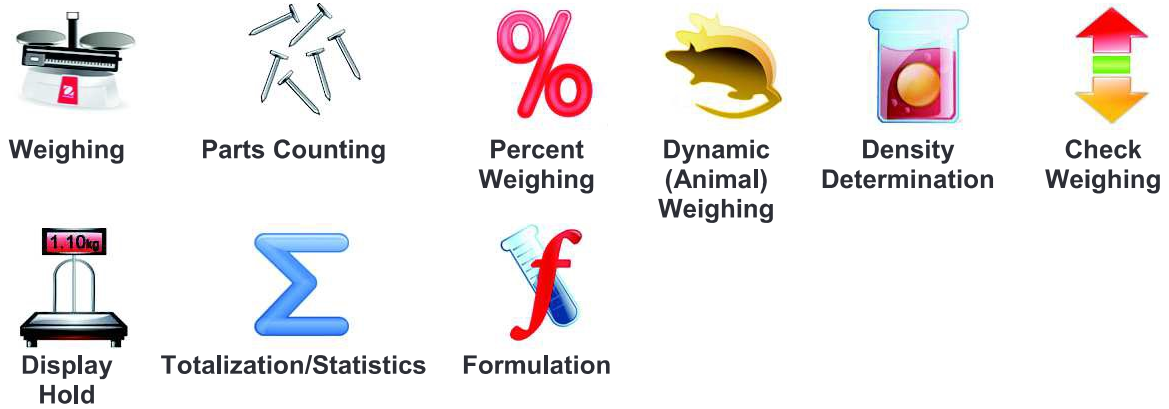
6. APPLICATIONS

The balance can be configured to operate in various Application modes. Touch the top left Application field (weighing in the example below):



Quick Start Guide Adventurer™ Balances

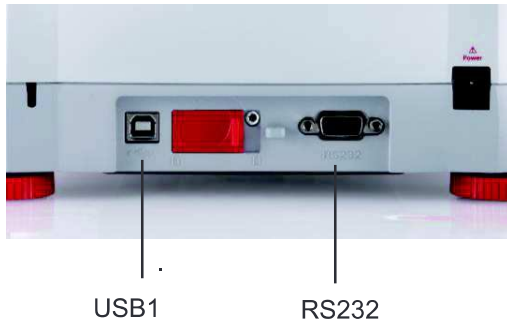
The Adventurer Balance has 9 application modes, as follows:



7. CONNECTING THE INTERFACE

Use the built-in RS-232 Port to connect either to a computer or a printer with a standard (straight-through) serial cable. Or connect using the scale's USB port.

Interface connections on the rear of the balance:



USB1: Used to connect to PC only
 RS232: Used to connect to PC or Printer

USB connection on the front of the balance:



USB2: Used to connect a USB flash driver only

8. WEIGH BELOW HOOK

To use this feature, remove power from the balance, then remove the protective cover for the weigh below opening.





Ohaus Corporation
7 Campus Drive
Suite 310
Parsippany, NJ 07054 USA
Tel: +1 973 377 9000
Fax: +1 973 944 7177

With offices worldwide.
www.ohaus.com



* 3 0 1 1 1 7 6 0 *

P/N 30111760B © 2018 Ohaus Corporation, all rights reserved.