



Technical data sheet for dish-shaped Dewar flasks type from SCH 6 -33 CAL

Area of application

- laboratory technique
- medicinal technique
- Biotechnology
- for liquid or solid medias and solid matters (LN2 oder CO2)
- Pressure-less space for coolants



Dewar flask Type SCH 6 up to 20 CAL with PE lid

Features of performance

- reliably and economically
- Dewar flasks according to DIN EN ISO 16496
- glass material according to ISO 3585
- nominal capacity from 80ml to 5,3 litres
- protective casing made of stucco aluminium

Description of glass Dewar flask

Material

- borosilicate glass 3.3 ISO 3585

Chemical characteristics

- hydrolytic resistance: according to ISO 719 (98°C)
- hydrolytic resistance: according to ISO 720 (121°C)
- acid resistance: according to ISO 1776
- alkaline resistance: according to ISO 695-A2

Physical characteristics

- linear expansion coefficient: $3,3 \times 10^{-6}$ 1/K (in between 20-300°C)
- density: 2,23 g/cm³
- specific thermal capacity: 910 J/kg K
- transformation temperature: 525°C

Vacuum

- $> 5 \times 10^{-6}$ mbar

Silvering

- fully silvered



Dewar flask Type SCH 30 up to 33 CAL with ALU/PU lid

Description of complete flasks

Types and accessories

CAL = protective casing out of stucco aluminium

Temperature ranges

- glass refill from -200°C to + 150°C, for a short time 200°C
- casing with mounting rubber and Latizell buffer from -10°C to + 60°C

Pressure range

- pressure - less

KGW -ISOTHERM

Karlsruher Glastechnisches Werk
76185 Karlsruhe Gablonzerstraße 6
Tel: 0721 95897-0 Fax: 0721 95897-77
E-Mail: info@KGW-ISOTHERM.COM
Internet: www.KGW-ISOTHERM.COM



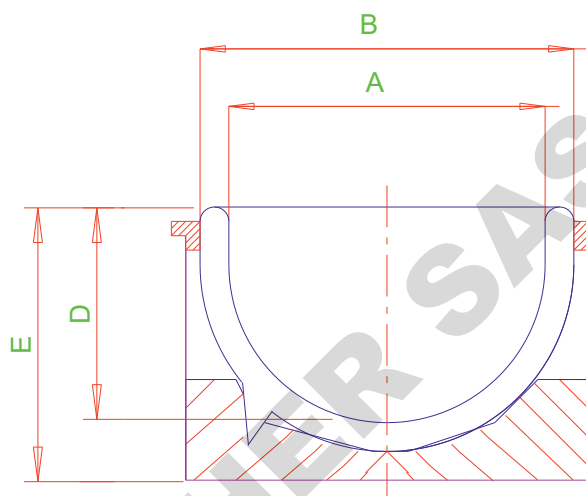
Technical data sheet for dish-shaped Dewar flasks type from SCH 6 -33 CAL

Special types

- Dewar flask with loosely lied-on lid
- Dewar flasks with stainless steel casing

Safety advises and regulations

- always wear protective glasses and protective gloves
- national regulations for laboratories
- company- internal regulations
- safety regulations for handling with liquid gases



Technische Angaben / Technical Specifications							
Typ	max. Inhalt	A	B	C	D	E	Gewicht
Type	max. Content						Weight
	ca. [ml]	mm	mm	mm	mm	mm	ca. [kg]
SCH 6 CAL	80	67	80	90	40	75	0,2
SCH 9 CAL	120	77	95	110	50	90	0,2
SCH 15 CAL	260	100	120	130	65	110	0,4
SCH 18 CAL	400	110	130	138	70	115	0,5
SCH 20 CAL	800	138	160	170	80	125	0,6
SCH 30 CAL	1600	170	205	215	110	145	1,5
SCH 31 CAL	2700	200	230	238	125	160	2,1
SCH 33 CAL	5300	250	280	292	150	195	3,2

Artikel-Nummern / Article numbers						
Typ	Artikel Nr.	für Rundkolben	mit Inhalt	Deckel für Typ	Artikel Nr.	Material
Type	Article No.	for round bottom flask	with Content	Lid for Type	Article No.	Material
	Référence	D.a. [mm]	max. [ml]	Couvercle pour Types	Référence	Matériel
SCH 6 CAL	1191	51	50	Deckel für SCH 6	1670	PE
SCH 9 CAL	1192	64	100	Deckel für SCH 9	1671	PE
SCH 15 CAL	1193	85	250	Deckel für SCH 15	1672	PE
SCH 18 CAL	1194	85	250	Deckel für SCH 18	1673	PE
SCH 20 CAL	1195	105	500	Deckel für SCH 20	1674	PE
SCH 30 CAL	1196	131	1000	Deckel für SCH 30	1675	ALU / PU
SCH 31 CAL	1197	185	3000	Deckel für SCH 31	1676	ALU / PU
SCH 33 CAL	1198	236	6000	Deckel für SCH 33	1677	ALU / PU

KGW -ISOTHERM

Karlsruher Glastechnisches Werk
 76185 Karlsruhe Gablonzerstraße 6
 Tel: 0721 95897-0 Fax: 0721 95897-77
 E-Mail: info@KGW-ISOTHERM.COM
 Internet: www.KGW-ISOTHERM.COM

Dewargefäße E Type SCH 6- 33 01/2024
 Seite 2 von 2