

CAPP Wash

MICROPLATE WASHER

USER GUIDE



Masters of precision

www.capp.dk

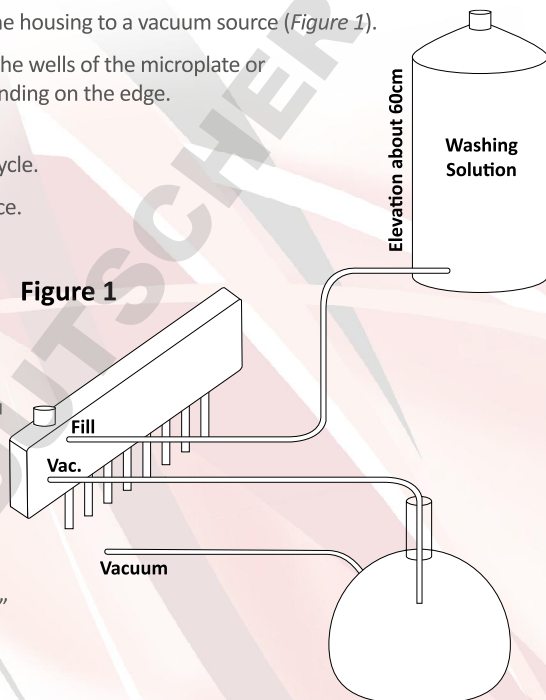
Thank you for purchasing this

CAPP Wash

Operating Instructions:

1. Connect the inlet marked “fill” on the back of the housing to a source of washing solution (Figure 1).
2. Connect the inlet marked “vac” on the back of the housing to a vacuum source (Figure 1).
3. Place the washing tubes of the **CAPP Wash** into the wells of the microplate or microstrip, with the black adjustment screws standing on the edge.
4. Press the knob on the upper part of the housing to initiate each desired washing cycle.
5. Releasing the knob engages the vacuum sequence.
6. Move the **CAPP Wash** to the next row or column and repeat the procedure.

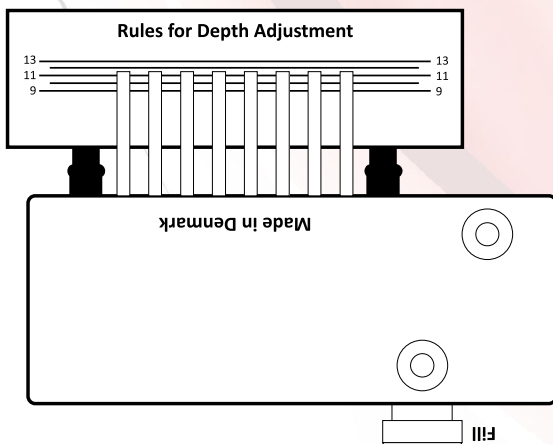
Figure 1



Note:

- Please press the knob only slightly each time you wash, since prolonged activation causes liquid overflow.
- If necessary the liquid flow can be adjusted by means of a tube clamp, limiting the flow of washing solution.
- It will also be possible to wash in the “traditional” way by having the washing tubes at the top of the wells in the starting position. Pressing on the knob will fill the wells of the microplate. When you stop pressing the knob the filling is discontinued, then the tubes can be lowered into the wells in order to empty wells.
- This traditional filling method can also be used to dispense a solution in the wells or to keep them filled after the washing procedure.
- The **CAPP Wash** fits the flat bottomed microwell plates and strips. For use with other well shapes, the depth of the washing tubes in the well may be adjusted using the screws on each side of the tubes.

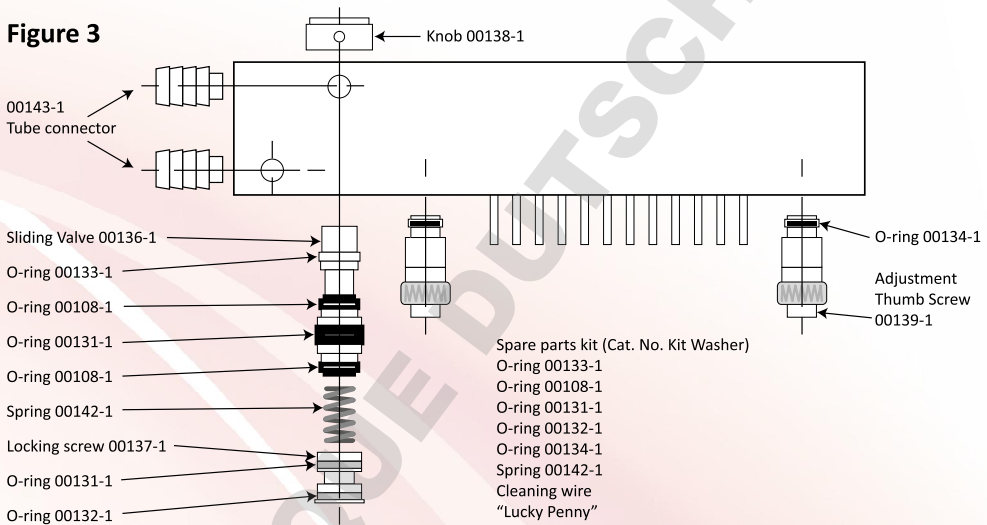
Figure 2



Important:

- The distance of the washing tubes to the well bottom must be the same at both sides or the wells will be unevenly filled. This would cause inefficient washing and overflow. To measure the depth of the washing tubes in the wells, a ruler is supplied with every **CAPP Wash** (Figure 2).
- It is important to rinse the washer with distilled water after each use, otherwise the tubes may clog. Should clogging occur, the wire supplied with the washer can be used for cleaning the tubes.
- After removal of the obstruction from the washing tubes, we would recommend cleaning inside the washer. To do this, connect the vacuum to the "fill" inlet, press the knob briefly and the interior is cleaned; then remove the vacuum from the "fill" inlet.
- Except for the above, the **CAPP Wash** needs no special maintenance, but it may be necessary to replace the O-rings and/or the spring after prolonged use (Figure 3).
- The recommended working vacuum is 800 Hg.

Figure 3



Warranty

The guarantee for the **CAPP Wash** covers defects in materials for three years. During this period any defective materials will be replaced free of charge. Labour costs in connection with repair of these defects will be provided at no extra cost.

Adjustment of Depth

In order to adjust the depth of the washing tubes in the wells, use the ruler as shown on the above drawing (Figure 2). The lower edge of the ruler is to be pressed against the two thumb screws of the washer.

Please make sure that the distance from the washing tubes to the well bottoms is a minimum of 0.5mm, and that the distance is the same at both ends.

NB: The washer is pre-set to fit flat-bottomed microwell plates and modules. If microplates of other brands or well configurations are used or in case that the thumb screws have been turned, the depth should be altered.



CAPP

Uthleber Weg 14
99734 Nordhausen
Germany
Tel. +49 (0) 3631 65242-0
Fax. +49 (0) 3631 65242-90
info@capp.dk

www.capp.dk

Distributed by:

v.2018-01