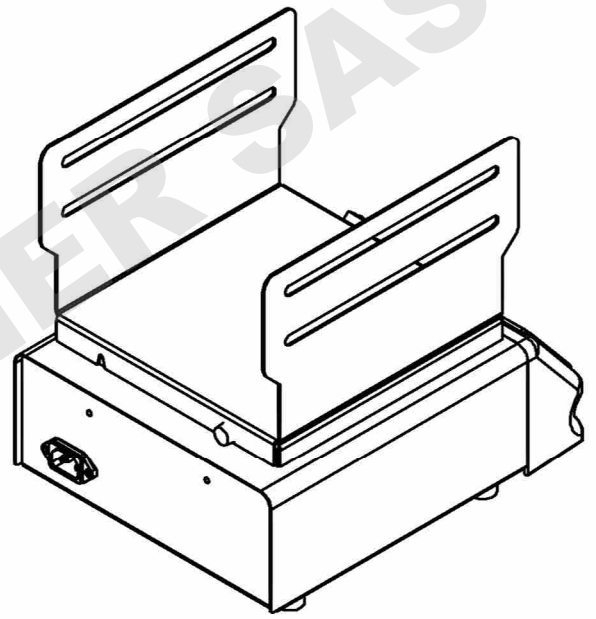
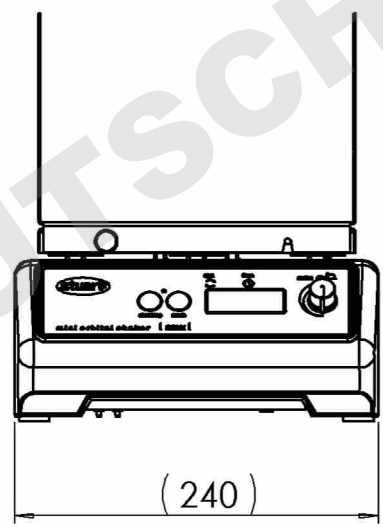
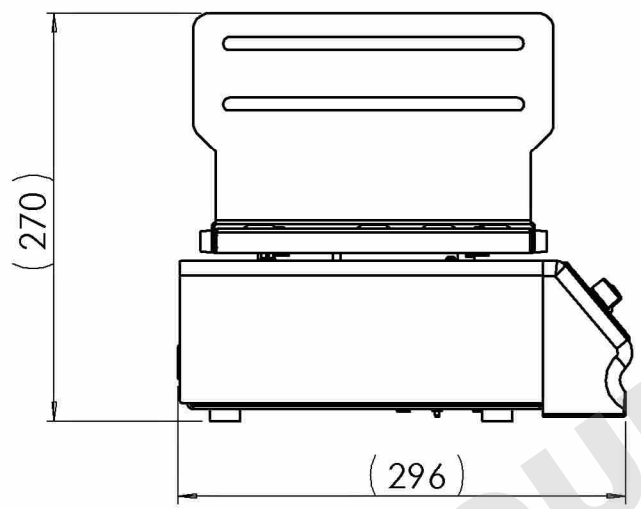


INSTRUMENT								DO NOT SCALE IF IN DOUBT ASK	ISSUE	1	DRAWING NUMBER	SSM1-020
QUANTITY PER	1							REMOVE ALL BURRS & SHARP EDGES				



GEN TOL:	X ± 0.5	X.X ± 0.2	X.XX ± 0.1	HOLES ± 0.1	ANGULAR ± 0.5 DEG	UNLESS OTHERWISE STATED	DIMENSIONS: mm	SCALE: 1:5		
APPROVED	MATERIAL									
CHECKED	FINISH			1	11/2010	GM	NEW			
				ISS	DATE	ECN No.	CHANGE DETAILS	ISS DATE ECN No. CHANGE DETAILS		
DRAWN GM	ALL WORK TO COMPLY WITH CURRENT ENGINEERING STANDARDS			THIRD ANGLE PROJECTION DRAWING PREPARED IN ACCORDANCE WITH BS8888			THIS DRAWING IS THE COPYRIGHT OF Bibby Scientific, COPIES IN WHOLE OR PART MUST NOT BE MADE WITHOUT THE WRITTEN CONSENT OF THE COMPANY © 2010			
				TITLE			SHEET No. 1 OF 1	ITEM No.	DRAWING NUMBER	A4
				ssm1 with ssm1/1 fitted				SSM1-020		
Bibby Scientific, Beacon Road, Stone, Staffordshire, ST15 0SA, United Kingdom. Tel: 0844-936-0234 Fax: 0844-936-0235 Email: info@bibby-scientific.com										