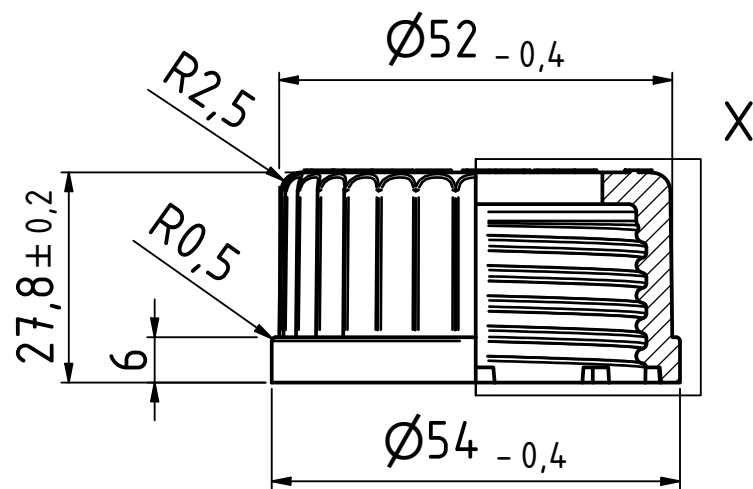
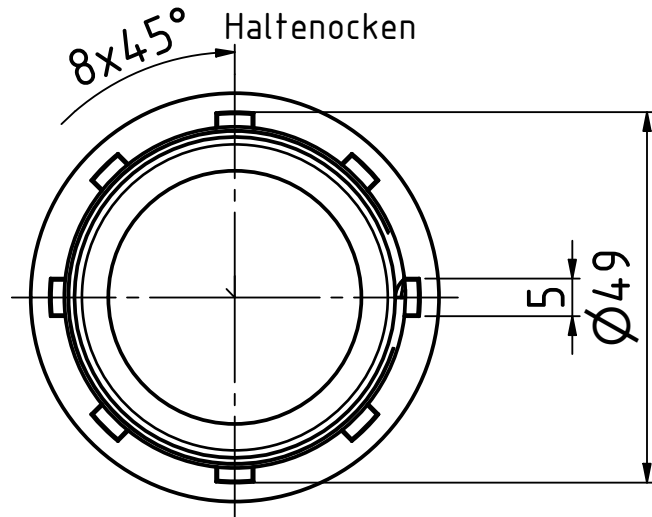
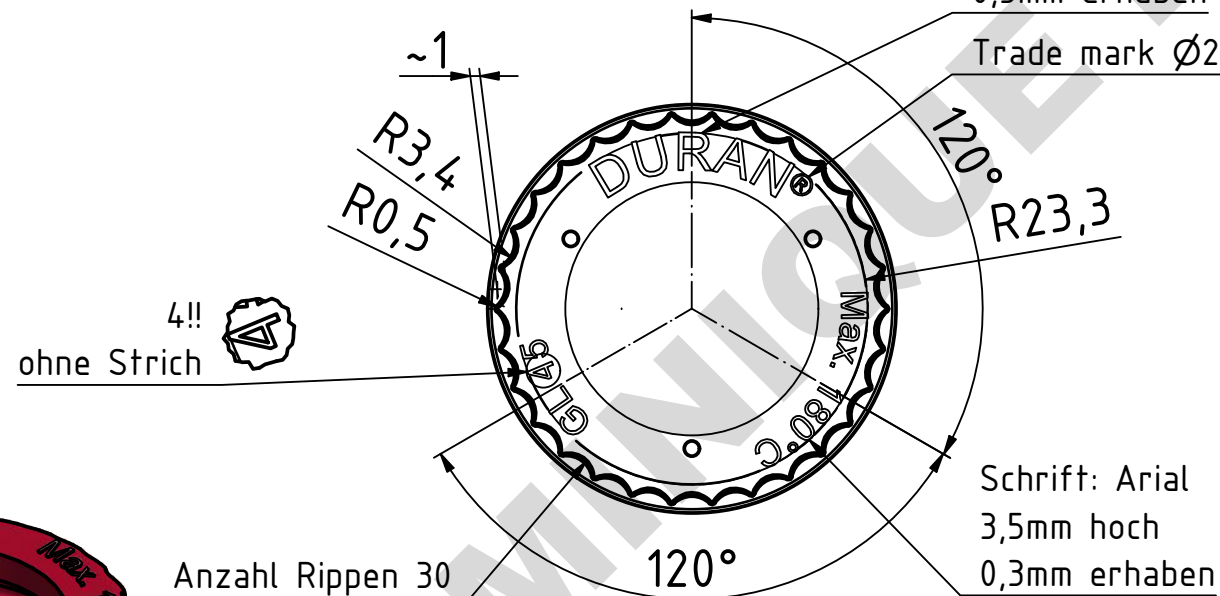


Notes:

1. Visible outer surface should meet Ra 3.2 (VDI 3400 ref.30)
2. Whole inner surface should meet max. Ra 0.35 for efficient demolding
3. Sealing surfaces should meet a high polished surface
4. No overhang allowed at any point along the parting line. A flush to 0.13mm max step is allowable on one side only.
5. The outer surface should be smooth and free from any optical defects.
6. The injection point should not stand over and should be free from angel hairs.
7. min. darftanges 0,75°



Schrift: Arial
5mm hoch
0,3mm erhaben
Trade mark Ø2,8



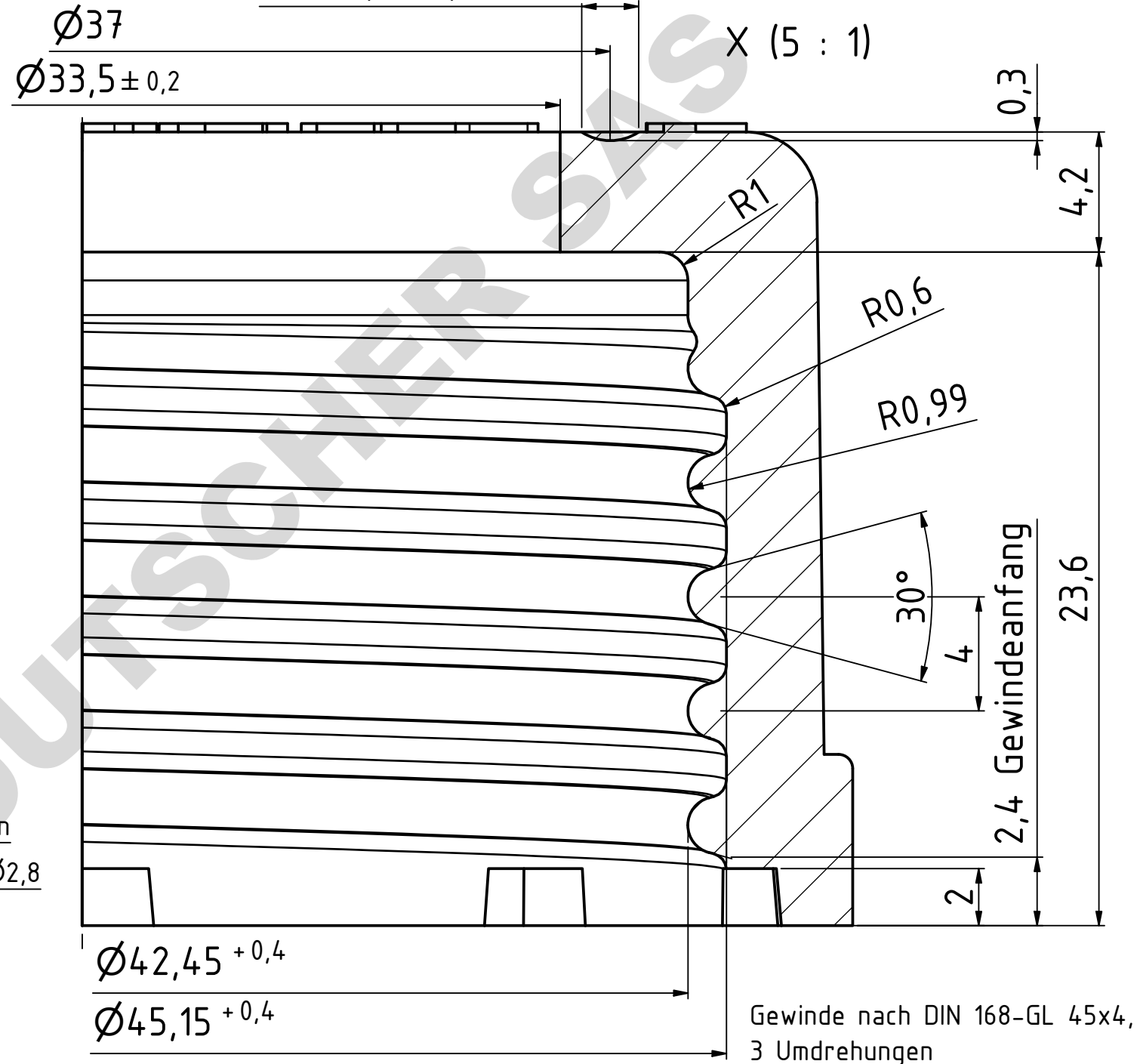
Anzahl Rippen 30

Schrift: Arial
3,5mm hoch
0,3mm erhaben

Art.-Nr	Farbe
29 227 10 15	rot (Lager)
29 227 10 07	rot (10Stk)
29 227 10 64	grün RAL 6018 (200Stk)
29 227 10 72	grau ähnlich RAL 7040 (250Stk)
29 993 2803	rot in PE-Beutel (10Stk)



3 Anspritzpunkte Ø2



Dimensions not fitted with specific tolerances are to be seen as geometric dimensions only and are not subject to any tests/checks during production. These dimensions are approximate values only and could vary in the final products.

The reproduction, distribution and utilization of this document as well as the communication of its contents to others without express authorization is prohibited. Offenders will be held liable for the payment of damages. All rights reserved in the event of the grant of a patent, utility model or design.

G	Add Art.-Nr. 29 993 28 03	29-DEC-2021	Weindorf
F	Change of logo to DWK, removed Art.-Nr. 299903205	08-JAN-18	Schneider
E	Art.-Nr. 292271007 hinzu (mit Chargenzertifikat)	29-OKT-12	Wdf
Index	Aenderung / changes	Datum / date	Name
zul. Abweichung allowed dev.	ISO 2768-m K	Werkstoff / material	Stück quantity
Oberfläche surface	ISO 1302	Benennung / title	Gewicht weight
bearb. drawn	15.06.1998	Ganzer	Pos. position
geprüft checked			
		Form-Nr. mould number	0GL45
		Zeichnungsnummer / drawing number	0668102-GZA-0GL45
		Revision	G
		Blatt/sheet	1/1
DURAN Produktions GmbH & Co. KG www.DWK.com		Ers. / repl.f.: 0668102-GZA-0GL45-E	Ers. / repl.d.:
		Schutzvermerk ISO 16016 beachten / Refer to protection notice ISO 16016	INV