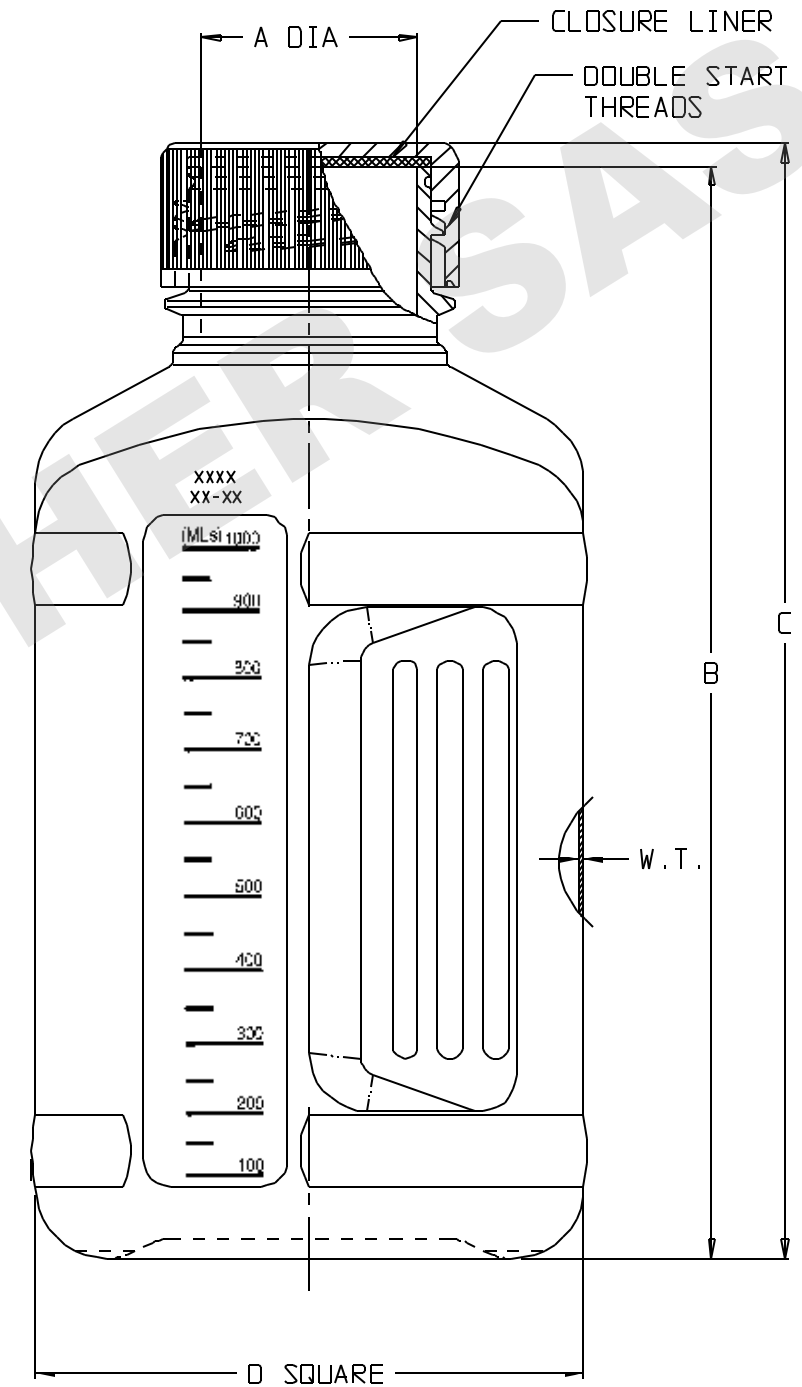


CATALOG NO.:	* 3110-35/-42	
SIZE NOM VOL. (mL).....:	1000	
NOMINAL BRIM CAP. (mL)....:	1,240	
MATERIALS	BOTTLE.....:	PETG
	CLOSURE.....:	WHITE PP
	CLOSURE LINER.....:	LOPE FOAM
NECK FINISH.....:	48mm DOUBLE START THR'D	
THREAD (T.P.I.).....:	3	
NOM. WEIGHT W/ CLOSURE (gms).....:	150	
	INCH	CM
A (NECK I.D. AT TOP).....:	1.46	3.7
B (HT. W/O CLOSURE).....:	7.76	19.7
C (HT. W/ CLOSURE).....:	7.90	20.1
D (SQUARE).....:	3.86	9.8
W.T. (NOM. WALL THK).....:	.04	0.1

* 3110-35 IS BULK-PACK, STERILE
 3110-42 IS LAB-PACK, STERILE

NOTES:

1. ALL DIMENSIONS ARE NOMINAL AND IN INCHES AND MILLIMETERS UNLESS OTHERWISE NOTED.
2. THIS IS NOT A PRODUCTION DRAWING, BUT IS FOR INFORMATIONAL PURPOSES ONLY, AND IS SUBJECT TO CHANGE WITHOUT NOTICE.



SPECS ON BACK

NOT TO SCALE

CONFIDENTIAL

THIS PRODUCT SPECIFICATION SHEET CONTAINS CONFIDENTIAL AND/OR PROPRIETARY INFORMATION AND IS TO BE USED ONLY FOR THE EXPRESSED PURPOSES AGREED UPON BY AN AUTHORIZED OFFICER OF THERMO FISHER SCIENTIFIC.

ThermoFisher
 SCIENTIFIC

Thermo Fisher Scientific
 75 Panorama Creek Drive
 Rochester, NY 14625-2385, USA

MADE	MC ²	APP'D	PVC	PSS 3110-XX	REV. 0106
CK'D	PVC		1/9/06		

DESCRIPTION:
 BIOTAINER BOTTLE, PETG, 1L