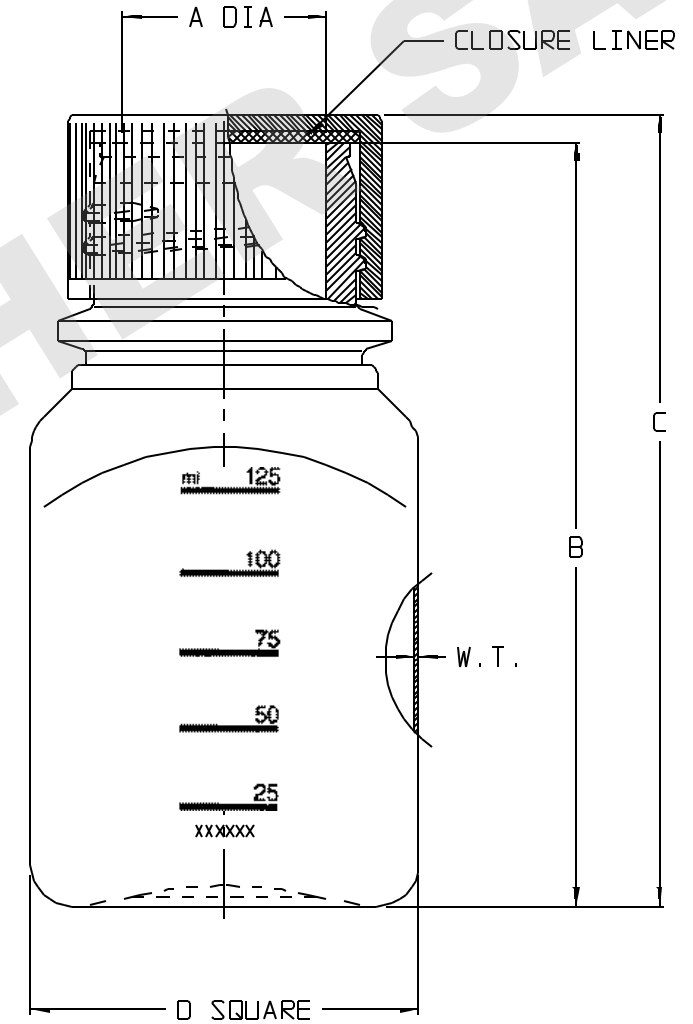


CATALOG NO. ....:	3030-42	
SIZE (NOM VOL. (mL))....:	125	
VOL AT NECK (mL).....:	160	
MATERIALS	BOTTLE.....:	PC
	CLOSURE.....:	WHITE PP
	CLOSURE LINER.:	SILICONE RUBBER/PP
NECK FINISH.....:	38-430	
THREAD (T.P.I.).....:	6	
NOM. WEIGHT W/ CLOSURE (gms).....:	57	
	INCH	MM
A (NECK I.D.).....:	1.06 ± .025	26.7 ± .64
B (HT. W/O CLOSURE).....:	3.98 ± .08	101.1 ± 2.0
C (HT. W/ CLOSURE).....:	4.12 ± .08	104.6 ± 2.0
D (SQUARE).....:	2.05 ± .06	52.1 ± 1.5
W.T. (NOM. WALL THK).....:	.060	1.52



SPECS ON BACK

NOT TO SCALE

NOTES:

1. ALL DIMENSIONS ARE NOMINAL AND IN INCHES AND MILLIMETERS UNLESS OTHERWISE NOTED.
2. THIS IS NOT A PRODUCTION DRAWING, BUT IS FOR INFORMATIONAL PURPOSES ONLY, AND IS SUBJECT TO CHANGE WITHOUT NOTICE.

CONFIDENTIAL

THIS PRODUCT SPECIFICATION SHEET CONTAINS CONFIDENTIAL AND/OR PROPRIETARY INFORMATION AND IS TO BE USED ONLY FOR THE EXPRESSED PURPOSES AGREED UPON BY AN AUTHORIZED OFFICER OF THERMO FISHER SCIENTIFIC.

**ThermoFisher**  
**SCIENTIFIC**

Thermo Fisher Scientific  
75 Panorama Creek Drive  
Rochester, NY 14625-2385, USA

MADE JDD	APP'D PVC	PSS 3030-42	REV. 0906
CK'D KR	9/28/06		
DESCRIPTION: BIOTAINER BOTTLE, PC, LAB, 125ml			