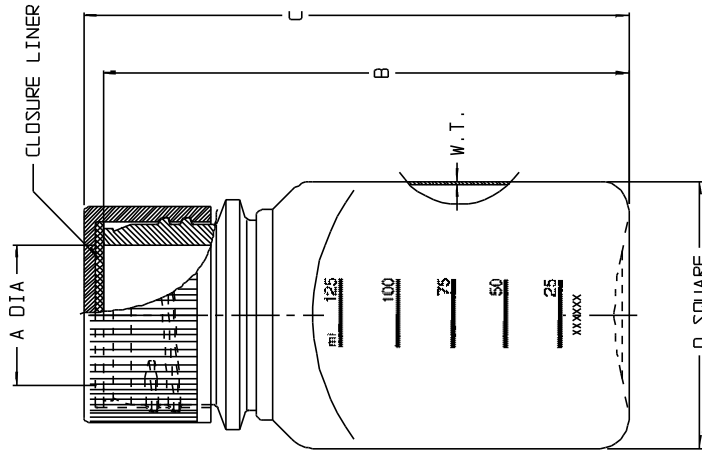


CATALOG NO.	3030-42	
SIZE (NOM VOL. (mL))	125	
VOL AT NECK (mL)	160	
BOTTLE	PC	
CLOSURE	WHITE PP	
CLOSURE LINER	SILICONE RUBBER/PP	
NECK FINISH	38-430	
THREAD (T.P.I.)	6	
NOM. WEIGHT W/ CLOSURE (gms)	57	
	INCH	MM
A (NECK I.D.)	1.06 ± .025	26.7 ± .64
B (HT. W/O CLOSURE)	3.98 ± .08	101.1 ± 2.0
C (HT. W/ CLOSURE)	4.12 ± .08	104.6 ± 2.0
D (SQUARE)	2.05 ± .06	52.1 ± 1.5
W.T. (NOM. WALL THK)	.060	1.52

NOTES:

1. ALL DIMENSIONS ARE NOMINAL AND IN INCHES AND MILLIMETERS UNLESS OTHERWISE NOTED.
2. THIS IS NOT A PRODUCTION DRAWING, BUT IS FOR INFORMATIONAL PURPOSES ONLY, AND IS SUBJECT TO CHANGE WITHOUT NOTICE.



SPECS ON BACK

NOT TO SCALE

ThermoFisher
SCIENTIFIC

Thermo Fisher Scientific
75 Pancrome Creek Drive
Rochester, NY 14625-2385, USA

NAME: JDD
DATE: KR
APP'D: PVC
DATE: 9/28/06

DESCRIPTION: PSS 3030-42

REV: 0906

BIOTAINER BOTTLE, PC, LAB, 125ml

CONFIDENTIAL

THIS PRODUCT SPECIFICATION SHEET CONTAINS CONFIDENTIAL AND/OR PROPRIETARY INFORMATION AND IS TO BE USED ONLY FOR THE EXPRESSED PURPOSES AGREED UPON BY AN AUTHORIZED OFFICER OF THERMO FISHER SCIENTIFIC.