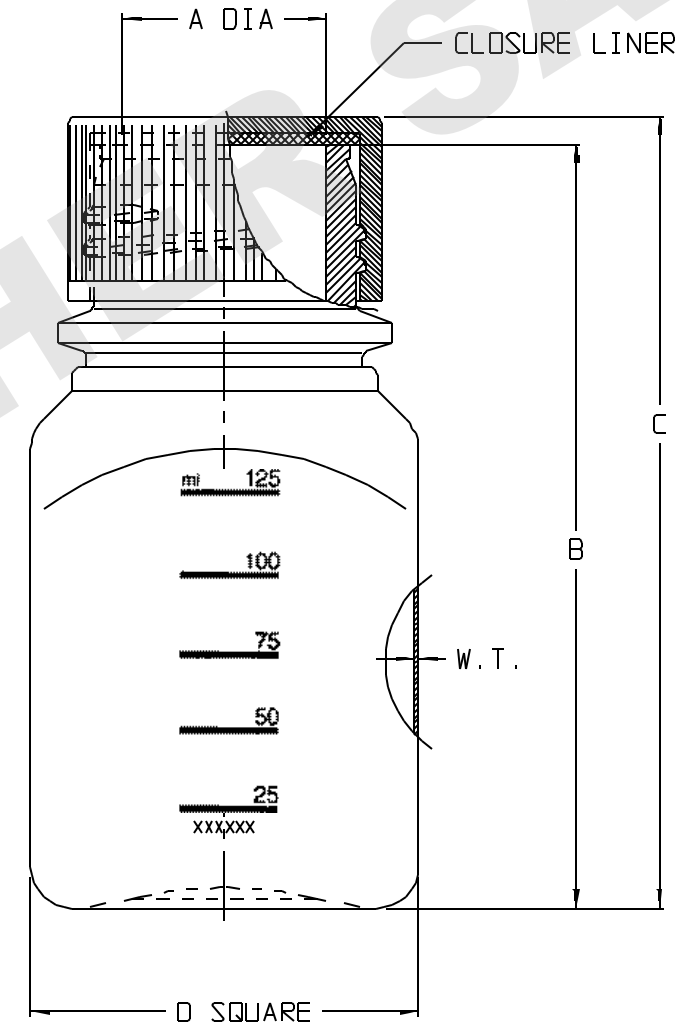


CATALOG NO. ....:	3025-42	
SIZE (NOM VOL. (mL))....:	125	
VOL AT NECK (mL).....:	174	
MATERIALS	BOTTLE.....:	PETG
	CLOSURE.....:	WHITE PP
	CLOSURE LINER...:	LOPE FOAM
NECK FINISH.....:	38-430	
THREAD (T.P.I.).....:	6	
NOM. WEIGHT W/ CLOSURE (gms).....:	45	
	INCH	CM
A (NECK I.D.).....:	1.11	2.8
B (HT. W/O CLOSURE).....:	3.98	10.1
C (HT. W/ CLOSURE).....:	4.12	10.5
D (SQUARE).....:	2.06	5.2
W.T. (NOM. WALL THK).....:	.020	.05



SPECS ON BACK

NOT TO SCALE

NOTES:

1. ALL DIMENSIONS ARE NOMINAL AND IN INCHES AND MILLIMETERS UNLESS OTHERWISE NOTED.
2. THIS IS NOT A PRODUCTION DRAWING, BUT IS FOR INFORMATIONAL PURPOSES ONLY, AND IS SUBJECT TO CHANGE WITHOUT NOTICE.

CONFIDENTIAL

THIS PRODUCT SPECIFICATION SHEET CONTAINS CONFIDENTIAL AND/OR PROPRIETARY INFORMATION AND IS TO BE USED ONLY FOR THE EXPRESSED PURPOSES AGREED UPON BY AN AUTHORIZED OFFICER OF THERMO FISHER SCIENTIFIC.

**ThermoFisher**  
**SCIENTIFIC**

Thermo Fisher Scientific  
75 Panorama Creek Drive  
Rochester, NY 14625-2385, USA

MADE	MC <sup>2</sup>	APP'D	PVC	PSS 3025-42	REV.
CK'D	PVC		1/9/06		0106

DESCRIPTION:  
BIOTAINER BOTTLE, PETG, 125ml